

THE INFORMATION CONTAINED HEREIN IS CONSIDERED PROPRIETARY TO BEL FUSE INC. AND SHALL NOT BE REPRODUCED, REPRODUCED OR DISCLOSED WITHOUT THE WRITTEN APPROVAL OF BEL FUSE INC.

RoHS



LED1 POLARITY			LED2 POLARITY			
PIN 13	PIN 14	COLOR	PIN 15	PIN 16	PIN 17	COLOR
-	+	YELLOW	-	+	/	ORANGE
/	/	/	-	+	-	GREEN
/	/	/	-	+	-	MIXED YELLOW

ELECTRICAL CHARACTERISTICS @ 25°C

URNS RATIO

TP1	1CT : 1CT ±2%
TP2	1CT : 1CT ±2%
TP3	1CT : 1CT ±2%
TP4	1CT : 1CT ±2%
JCL @ 100kHz/100mVRMS	(0-70 Deg. C)
8mA DC BIAS	350µH MIN.

INS. LOSS

0.1MHz TO 1MHz	-1.1 dB MAX
1MHz TO 65MHz	-0.5 dB MAX
65MHz TO 100MHz	-0.8 dB MAX
100MHz TO 125MHz	-1.2 dB MAX

RET. LOSS (MIN) @ 100 OHMS +/-15%

0.5MHz-40MHz	-18 dB
40MHz-100MHz	-12+20LOG(f/80MHz) dB

CM TO CM REJ

100kHz - 100MHz	-30 dB MIN
-----------------	------------

CM TO DM REJ

100kHz - 100MHz	-35 dB MIN
-----------------	------------

HIPOT (Isolation Voltage): 1500 Vrms

100% OF PRODUCTION TESTED TO COMPLY WITH IEEE 802.3 ISOLATION REQUIREMENT

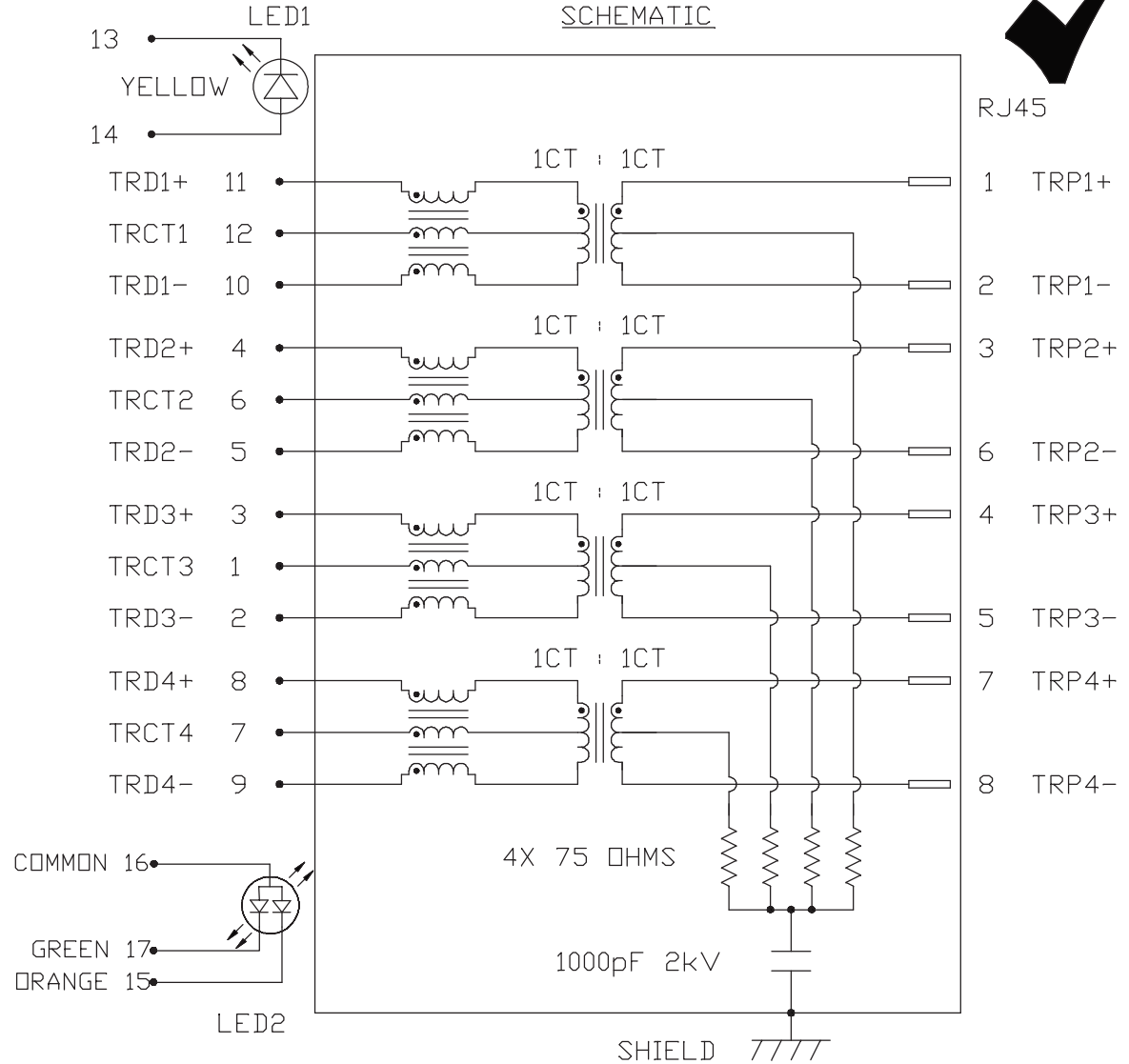
LED 1

V <sub>F</sub> (FORWARD VOLTAGE)	IF=20mA	YELLOW	2.1V TYP.
λ <sub>D</sub> (DOMINANT WAVELENGTH)	IF=20mA	YELLOW	590nm TYP.

LED 2

V <sub>F</sub> (FORWARD VOLTAGE)	IF=20mA	GREEN	2.2V TYP.
		ORANGE	2.1V TYP.
λ <sub>D</sub> (DOMINANT WAVELENGTH)	IF=20mA	GREEN	570nm TYP.
		ORANGE	605nm TYP.

MIXED YELLOW DOES NOT HAVE SPECIFIC WAVELENGTH.



DESIGNATED BY  
ANTON LIAO  
DATE 2015-10-19  
DRAWN BY  
LEE MURPHY  
DATE 2015-10-19

TITLE  
gigabit MagJack®  
(Ultra Low Profile)  
PATENTED

PART NO. / DRAWING NO.  
L836-1J1T-43  
FILE NAME  
L836-1J1T-43\_B.DWG

STANDARD DIM.  
TOL. IN INCH  
[ ] METRIC DIM.  
AS REF.  
UNIT : INCH [mm]  
SCALE : N/A  
SIZE : A4

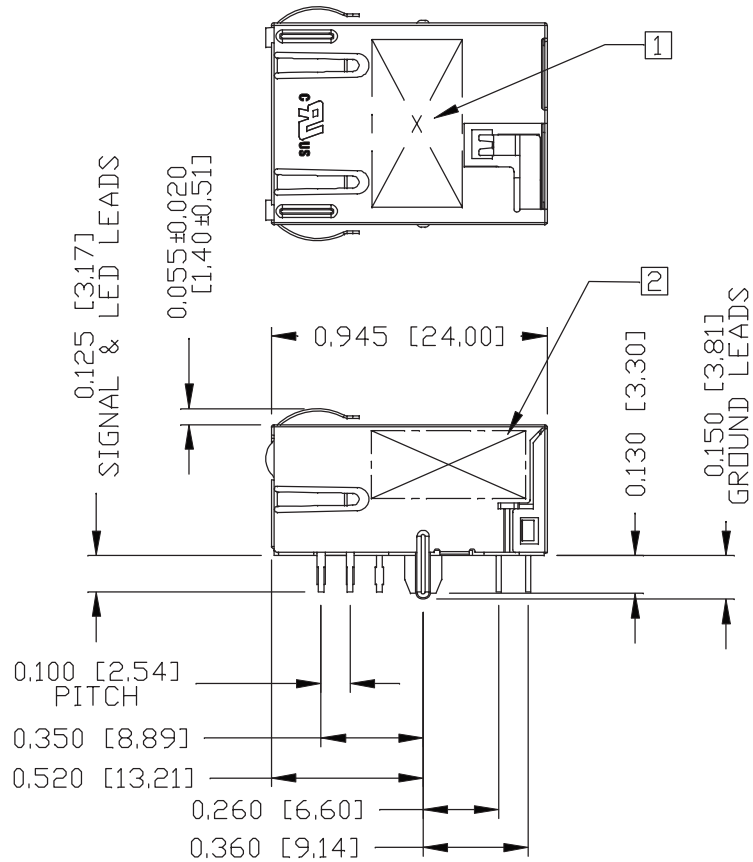
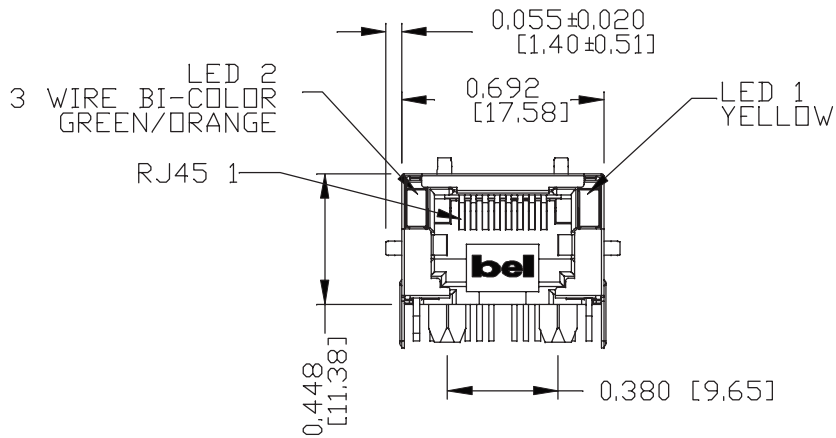
REV. : B PAGE : 2



THE INFORMATION CONTAINED HEREIN IS CONSIDERED PROPRIETARY TO BEL FUSE INC. AND SHALL NOT BE COPIED, REPRODUCED OR DISCLOSED WITHOUT THE WRITTEN APPROVAL OF BEL FUSE INC.

MECHANICAL SPECIFICATION

RoHS



NOTES:

PLASTIC HOUSING: THERMOPLASTIC PA.

FLAMMABILITY RATING UL 94V-0

CONTACTS: 30 MICRO-INCH HARD GOLD PLATING OR EQUIVALENT.

OUTPUT PINS: TIN-COATED COPPER WIRE, DIA 0.018 INCH.

METAL SHIELD: NICKEL PLATED ON COPPER ALLOY.

(ALL GROUND LEADS ARE SOLDER DIPPED)

1] MARK PART WITH PART NUMBER, DATE CODE AND PATENTED.

2] MARK PART WITH MFG. LOGO, MFG. NAME.

3. THE PRODUCT IS RoHS COMPLIANT.

**UL** UL RECOGNIZED - FILE #E196366 AND E169987.

4. JACK CAVITY CONFORMS TO FCC RULES AND REGULATIONS, PART 68 SUBPART F.

5. THE PRODUCT IS PATENTED, THE PATENT NUMBER ARE U.S. PAT. 6,840,817 AND U.S. PAT. 7,123,117.

ORIGINATED BY ANTON LIAO	TITLE gigabit MagJack® (Ultra Low Profile) PATENTED
DATE 2015-10-19	
DRAWN BY LIU DONGJUN	PART NO. / DRAWING NO. L836-1J1T-43
DATE 2015-10-19	

FILE NAME L836-1J1T-43_B.DWG	STANDARD DIM. TOL. IN INCH	[ ] METRIC DIM. AS REF.
	.X	UNIT : INCH [mm]
	.XX	SCALE : N/A
	.XXX ±0.010	SIZE : A4

REV. : B	PAGE : 3
----------	----------

a bel group

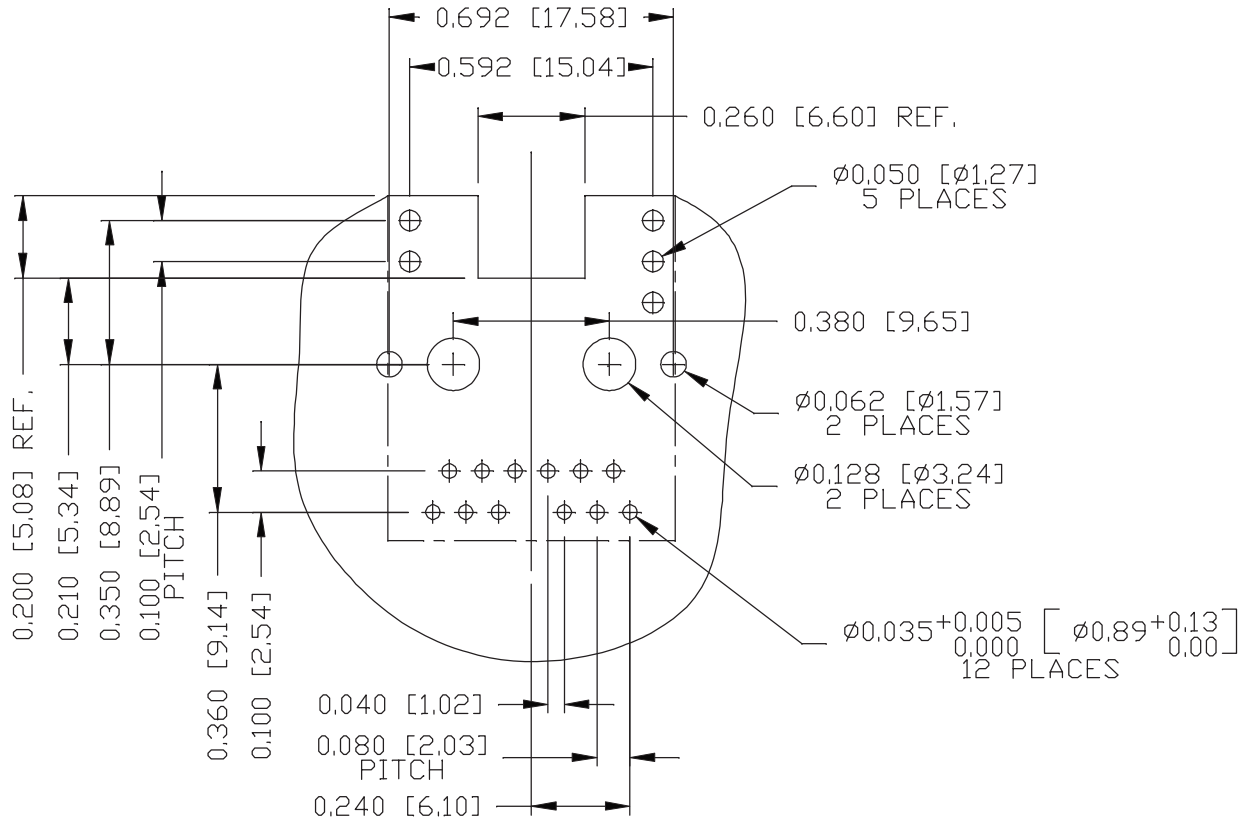
THE INFORMATION CONTAINED HEREIN IS CONSIDERED PROPRIETARY TO BEL FUSE INC. AND SHALL NOT BE REPRODUCED, REPRODUCED OR DISCLOSED WITHOUT THE WRITTEN APPROVAL OF BEL FUSE INC.

RoHS

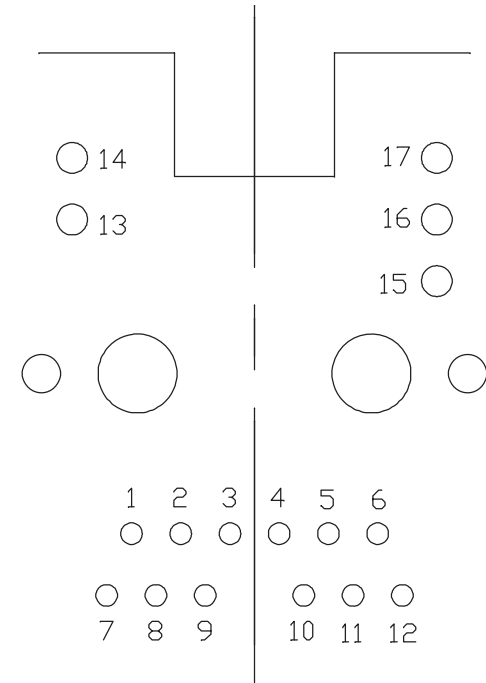


RECOMMENDED PCB FOOTPRINT

COMPONENT SIDE VIEW



FOR ONE UNIT



PIN-OUT INFORMATION

(SCALE 1.5:1)

DESIGNED BY  
ANTHONY LIAO  
DATE 2015-10-19  
DRAWN BY  
LIU DONGJUN  
DATE 2015-10-19

TITLE  
gigabit MagJack®  
(Ultra Low Profile)  
PATENTED

PART NO. / DRAWING NO.  
L836-1J1T-43

FILE NAME  
L836-1J1T-43\_B.DWG

STANDARD DIM.  
TOL. IN INCH

.X	
.XX	
.XXX	±0.004

[ ] METRIC DIM.  
AS REF.

UNIT : INCH [mm]  
SCALE : N/A  
SIZE : A4

REV. : B

PAGE : 4

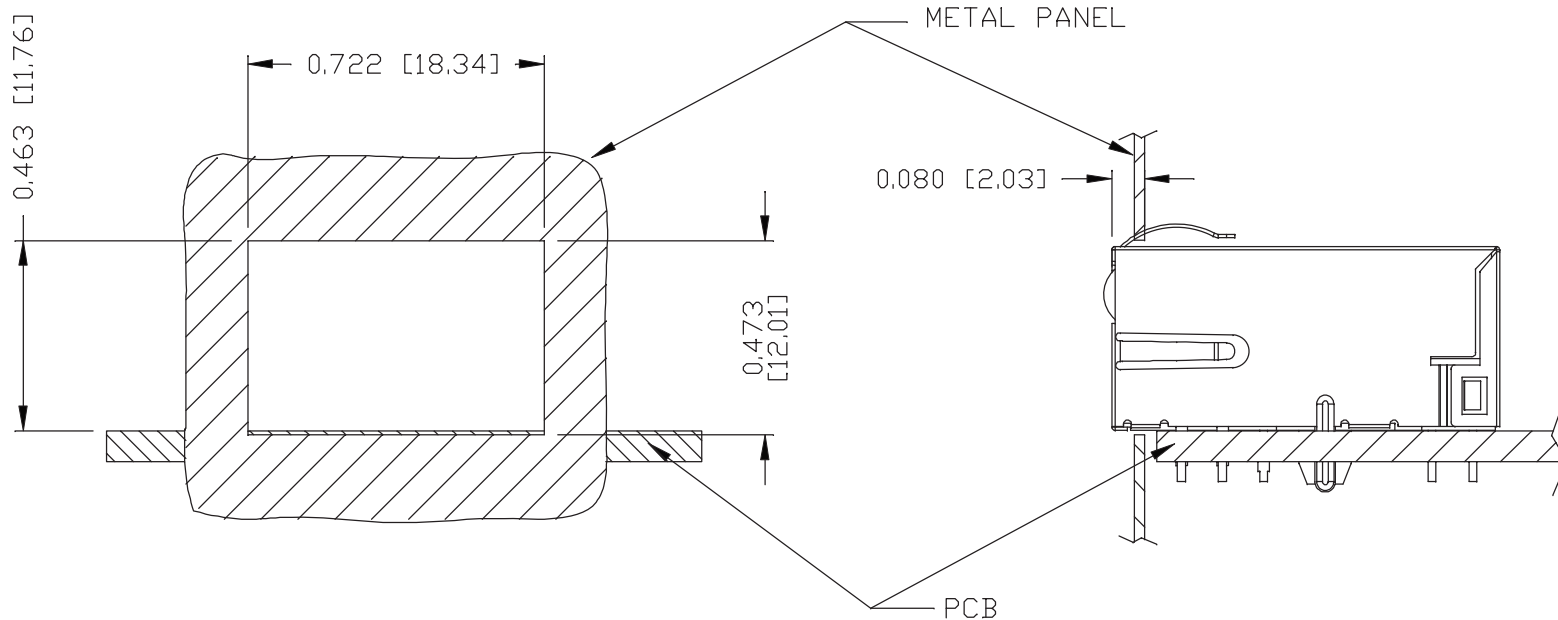


THE INFORMATION CONTAINED HEREIN IS CONSIDERED PROPRIETARY TO BEL FUSE INC. AND SHALL NOT BE REPRODUCED, REPRODUCED OR DISCLOSED WITHOUT THE WRITTEN APPROVAL OF BEL FUSE INC.

RoHS



SUGGESTED PANEL OPENING



NOTE:

THE DISTANCE OF PANEL INSIDE SURFACE RELATIVE TO FRONT SURFACE OF PART IS ONLY A SUGGESTION. IN CASE THIS DISTANCE IS DIFFERENT, THE REQUIRED PANEL OPENING DIMENSIONS CHANGE ACCORDINGLY.

TRAY PACKING INFORMATION

PACKING TRAY : 0200-9999-E4 (TOP)

0200-9999-E5 (BOTTOM)

PACKING QUANTITY : 60 PCS FINISHED GOODS PER TRAY

11 TRAYS (660 PCS FINISHED GOODS) PER CARTON BOX

NOTE : CARDBOARDS ARE PLACED BETWEEN LAYERS OF PACKING TRAY INSIDE CARTON BOX (INCLUDE THE UPPERMOST AND LOWERMOST TRAY)

REV. :	B	PAGE :	5
--------	---	--------	---

ORIGINATED BY ANTON LIAO DATE 2015-10-19 DRAWN BY LIU DONGJUN DATE 2015-10-19	TITLE gigabit MagJack® (Ultra Low Profile) PATENTED	PART NO. / DRAWING NO. L836-1J1T-43	STANDARD DIM. TOL. IN INCH	[ ] METRIC DIM. AS REF.
		FILE NAME L836-1J1T-43_B.DWG	.X .XX .XXX	UNIT : INCH [mm] SCALE : N/A SIZE : A4
			±0.004	

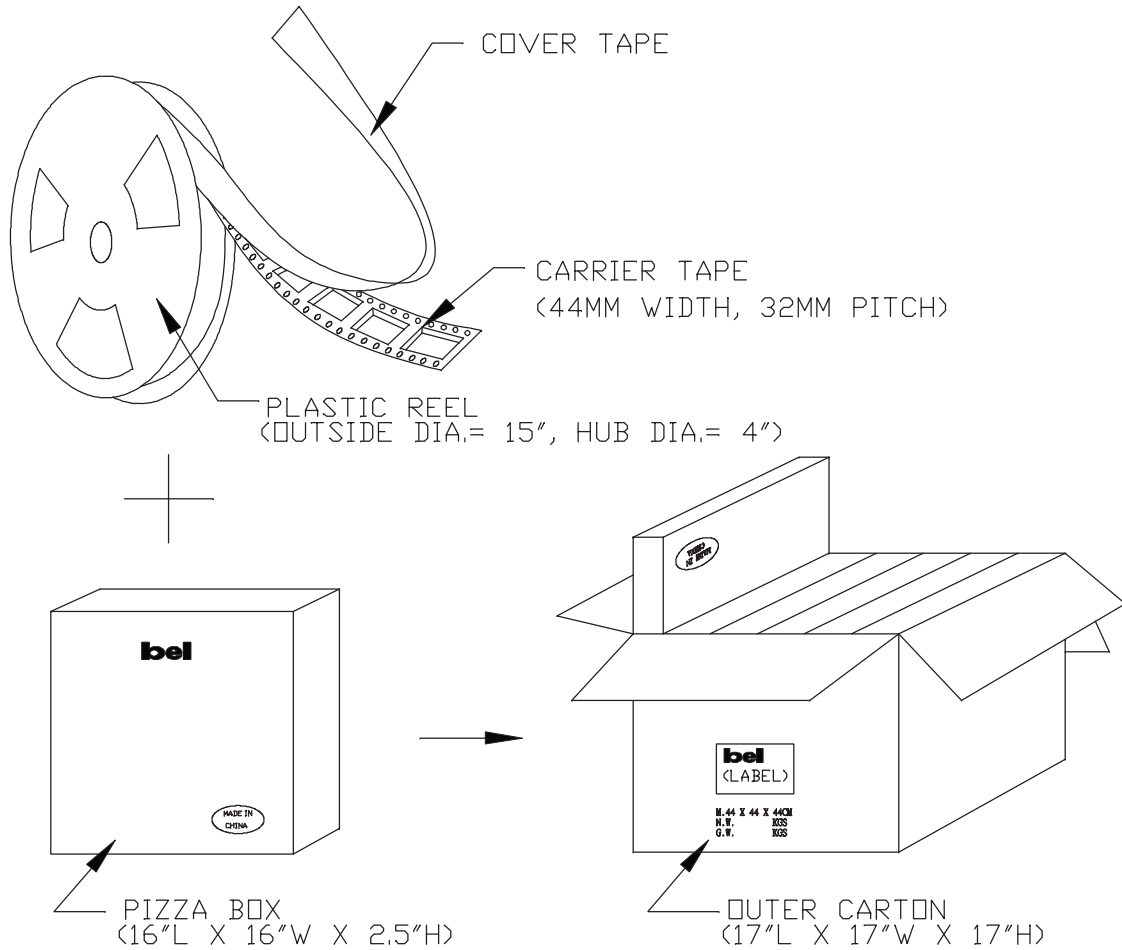


02/2/120214

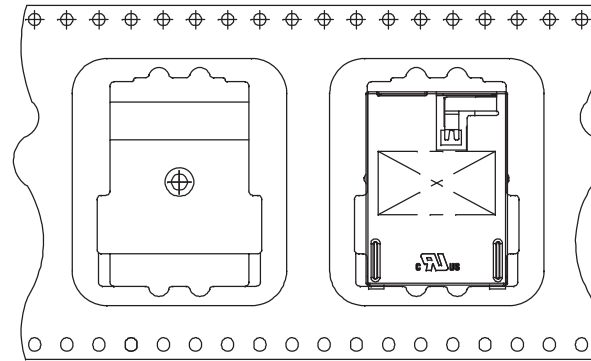
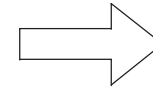
This document is electronically generated. This is a controlled copy if used internally. Please read our datasheet & drawing disclaimer [here](#).

THE INFORMATION CONTAINED HEREIN IS CONSIDERED PROPRIETARY TO BEL FUSE INC. AND SHALL NOT BE COPIED, REPRODUCED OR DISCLOSED WITHOUT THE WRITTEN APPROVAL OF BEL FUSE INC.

TAPE AND REEL PACKING INFORMATION:



USER FEED DIRECTION



PART ORIENTATION & FEEDING DIRECTION.

NOTES:

- 1) THIS PACKING STANDARD ONLY FOR THE PRODUCT USED IN IR REFLOW PROCESS
- 2) LEAVES 24 INCHES COVER TAPE AND 13 EMPTY POCKETS AT LEADER.
- 3) LEAVES 48 INCHES COVER TAPE AND 10 EMPTY POCKETS AT TRAILER.
- 4) PACK 140 PCS PER REEL.
- 5) EACH PIZZA BOX CONTAINS ONE (1) REEL, ( 140 PCS FINISHED GOODS EACH PIZZA BOX ),
- 6) EACH OUTER CARTON CONTAINS SIX (6) PIZZA BOXES, (840 PCS FINISHED GOODS EACH OUTER CARTON ).

DESIGNED BY  
ANTON LIAO  
DATE 2015-10-19  
DRAWN BY  
LIU DONGJUN  
DATE 2015-10-19

TITLE  
gigabit MagJack®  
(Ultra Low Profile)  
PATENTED

PART NO. / DRAWING NO.  
L836-1J1T-43  
FILE NAME  
L836-1J1T-43\_B.DWG

STANDARD DIM. TOL. IN INCH	[ ] METRIC DIM. AS REF.
.X	UNIT : INCH [mm]
.XX ±0.01	SCALE : N/A
.XXX ±0.004	SIZE : A4

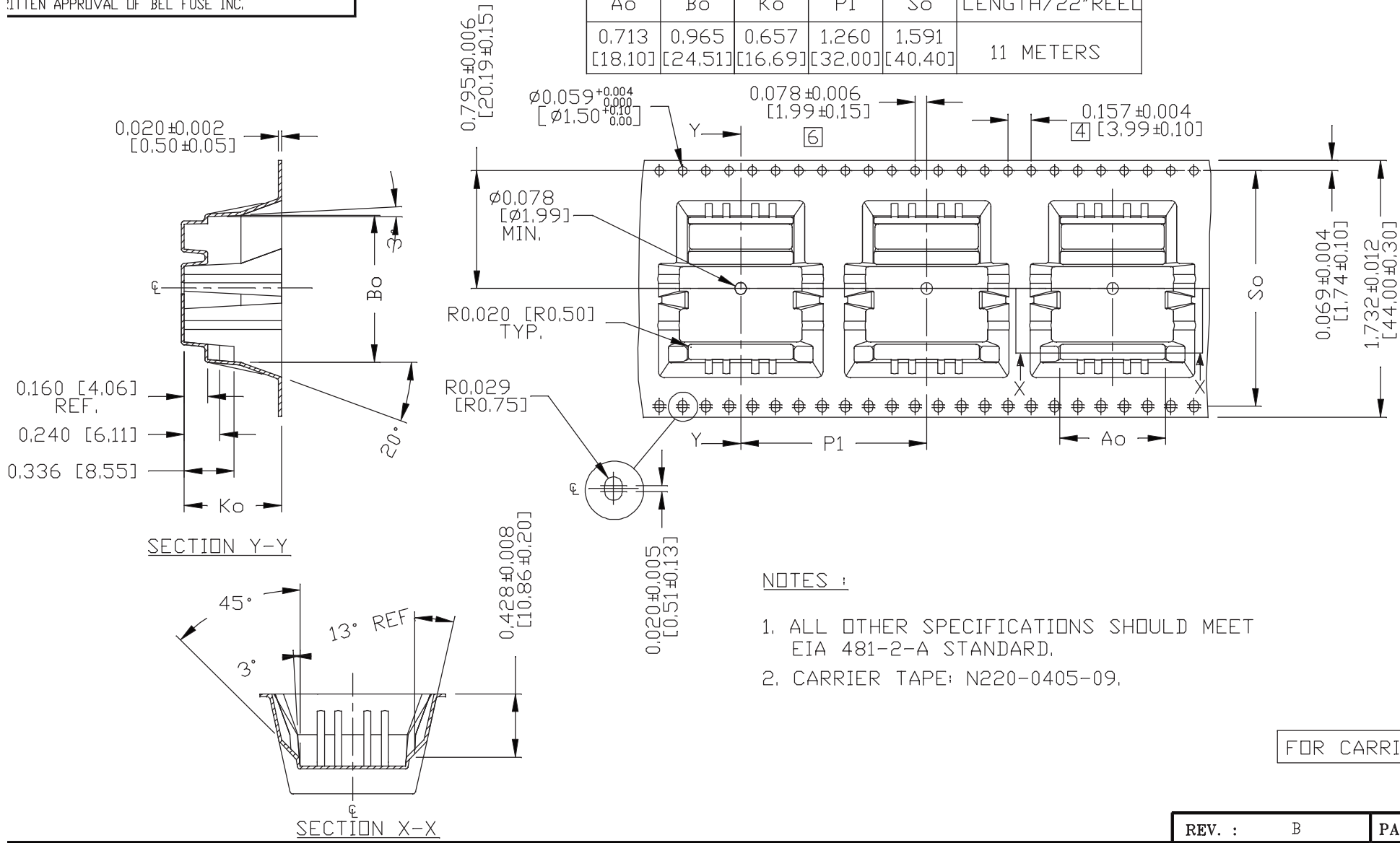
REV. : B PAGE : 6

a bel group

ALL INFORMATION CONTAINED HEREIN IS CONSIDERED PROPRIETARY TO BEL FUSE INC. AND SHALL NOT BE REPRODUCED OR DISCLOSED WITHOUT THE WRITTEN APPROVAL OF BEL FUSE INC.



DIMENSION CHART					
Ao	Bo	Ko	P1	So	LENGTH/22" REEL
0,713 [18,10]	0,965 [24,51]	0,657 [16,69]	1,260 [32,00]	1,591 [40,40]	11 METERS



NOTES :

1. ALL OTHER SPECIFICATIONS SHOULD MEET EIA 481-2-A STANDARD.
2. CARRIER TAPE: N220-0405-09.

FOR CARRIER TAPE

ORIGINATED BY  
ANTON LIAO  
DATE 2015-10-19

DRAWN BY  
LIU DONGJUN  
DATE 2015-10-19

TITLE  
gigabit MagJack®  
(Ultra Low Profile)  
PATENTED

PART NO. / DRAWING NO.  
L836-1J1T-43

FILE NAME  
L836-1J1T-43\_B.DWG

STANDARD DIM. TOL. IN INCH	[ ] METRIC DIM. AS REF.
.X	UNIT : INCH [mm]
.XX	SCALE : N/A
.XXX	SIZE : A4

REV. : B	PAGE : 7
a bel group	