

THE INFORMATION CONTAINED HEREIN IS CONSIDERED "PROPRIETARY" TO BEL FUSE INC. AND SHALL NOT BE COPIED, REPRODUCED OR DISCLOSED WITHOUT THE WRITTEN APPROVAL OF BEL FUSE INC.

LED 1 POLARITY			LED 2 POLARITY		
PIN 13	PIN 14	COLOR	PIN 15	PIN 16	COLOR
+	-	ORANGE	+	-	ORANGE
-	+	GREEN	-	+	GREEN



ELECTRICAL CHARACTERISTICS @ 25°C

URNS RATIO

TP1	1CT : 1CT
TP2	1CT : 1CT
TP3	1CT : 1CT
TP4	1CT : 1CT

INS. LOSS (MAX)

1MHz TO 20MHz	-0.8 dB
50MHz	-1.0 dB
200MHz	-1.2 dB
400MHz	-2.0 dB
500MHz	-3.0 dB

RET. LOSS (MIN)

1MHz - 40MHz	-16 dB
40MHz - 400 MHz	-16+10LOG (F/40) dB
400MHz - 500 MHz	-6+30LOG (F/400) dB

CM TO CM REJ

1MHz - 500MHz	-30 dB MIN
---------------	------------

CM TO DM REJ

1MHz - 500MHz	-30 dB MIN
---------------	------------

HIPOT (Isolation Voltage):

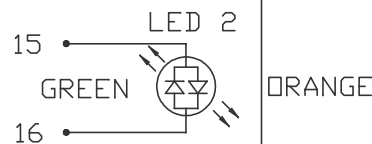
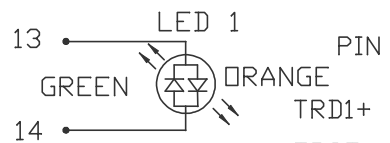
2250VDC

100% OF PRODUCTION TESTED TO COMPLY WITH IEEE 802.3 ISOLATION REQUIREMENTS.

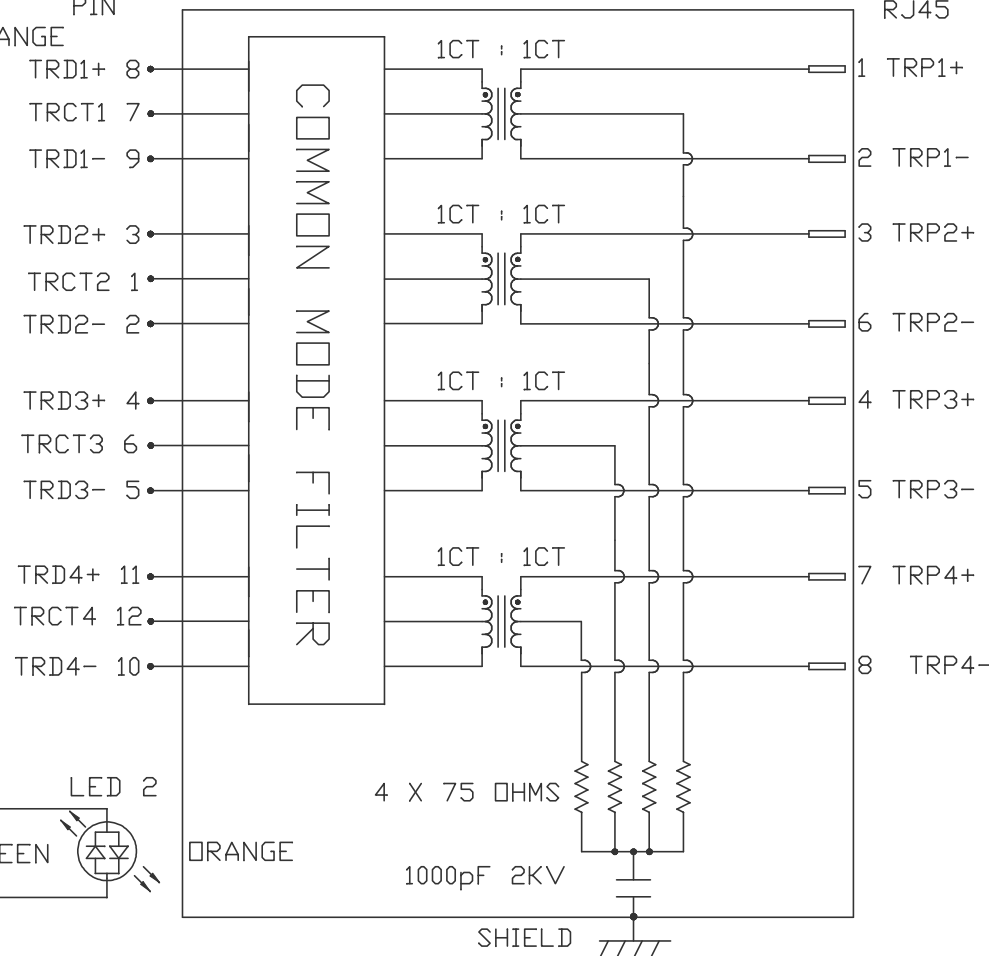
LED1 AND LED2

VF (FORWARD VOLTAGE) IF=20mA	GREEN	2.2V TYP.
	ORANGE	2.0V TYP.
λD (DOMINANT WAVELENGTH) IF=20mA	GREEN	570nm TYP.
	ORANGE	605nm TYP.

OPERATING TEMPERATURE: 0°C TO +70°C.



SCHEMATIC



ORIGINATED BY  
CHOW WANCHUNG  
DATE 2018-07-21  
DRAWN BY  
XIE YIMING  
DATE 2018-07-21

TITLE  
10 gigabit MagJack®  
G15-111T-076C  
PATENTED

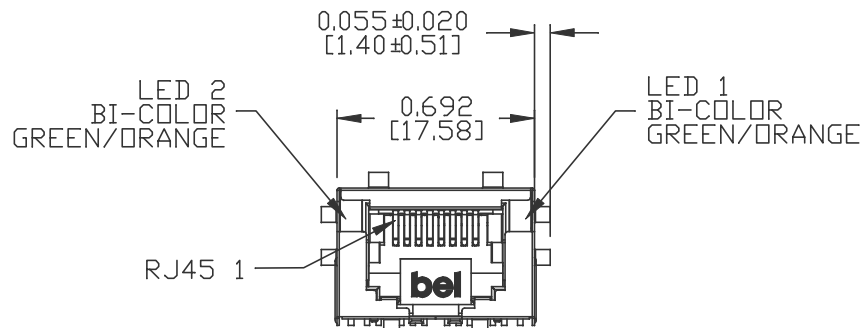
PART NO. / DRAWING NO.  
G15-111T076C  
FILE NAME  
G15-111T076C\_B.DWG

STANDARD DIM. TOL. IN INCH  
[ ] METRIC DIM. AS REF.  
UNIT : INCH [mm]  
SCALE : N/A  
SIZE : A4

REV. : B PAGE : 2



THE INFORMATION CONTAINED HEREIN IS CONSIDERED "PROPRIETARY" TO BEL FUSE INC. AND SHALL NOT BE COPIED, REPRODUCED OR DISCLOSED WITHOUT THE WRITTEN APPROVAL OF BEL FUSE INC.



NOTES:

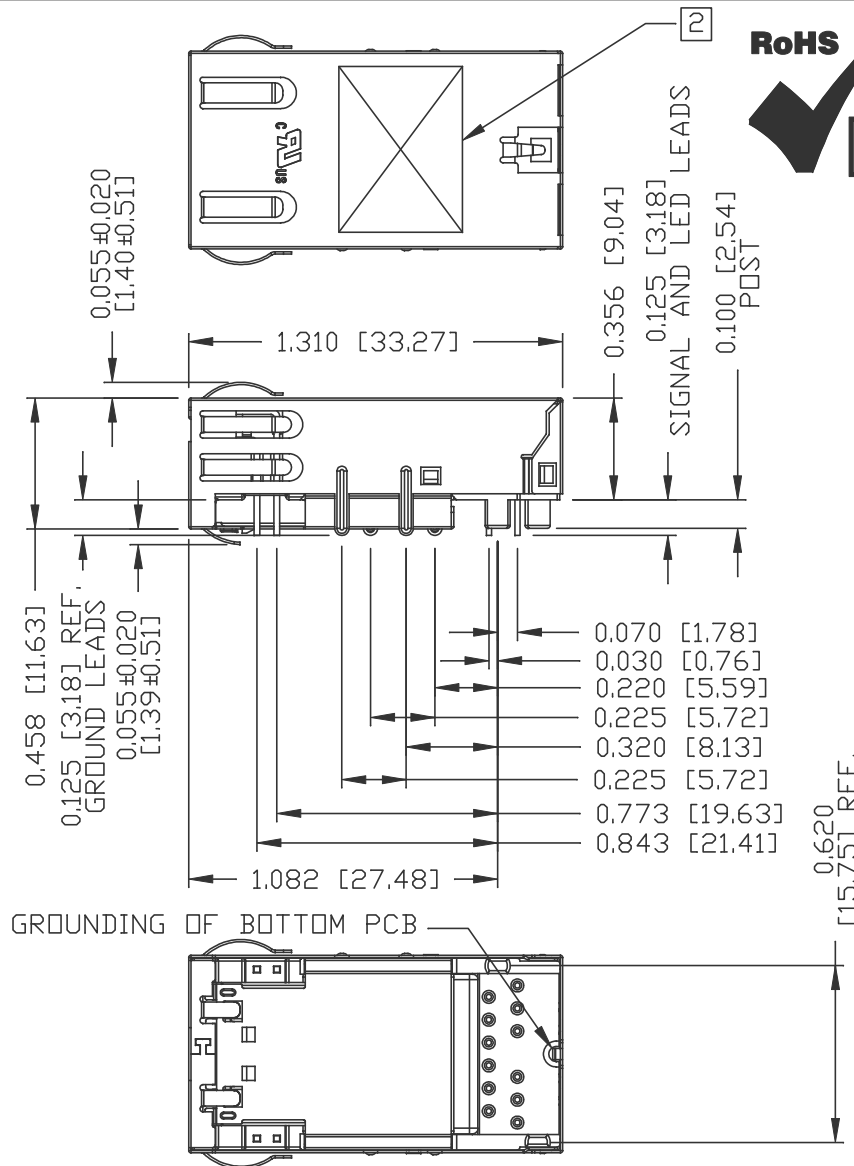
PLASTIC HOUSING: THERMOPLASTIC PA, BLACK  
FLAMMABILITY RATING UL 94V-0

CONTACT PLATING: 50 MICRO-INCH HARD GOLD PLATING OR EQUIVALENT

OUTPUT PINS: TIN-COATED COPPER WIRE, DIA 0.018 INCH,  
100 MICRO-INCH MIN MATTE TIN, PINS ARE SOLDER DIPPED.

METAL SHIELD: NICKEL PLATED ON COPPER ALLOY,  
(ALL GROUND LEADS ARE SOLDER DIPPED)

- JACK CAVITY CONFORMS TO FCC RULES AND REGULATIONS, PART 68 SUBPART F.
- MARK PART WITH MFG LOGO, NAME, PART NUMBER, DATE CODE AND PATENTED.
- UL RECOGNIZED - FILE # E169987.
- THE PRODUCT IS RoHS COMPLIANT WITH NO EXEMPTION AND HALOGEN FREE WITH ANTIMONY TRIOXIDE CONTAIN LESS THAN 1000 PPM.
- THE PRODUCT IS PATENTED. THE PATENT NUMBER ARE U.S. PAT. 7,429,195 AND U.S. PAT. 6,840,817 AND U.S. PAT. 7,924,130.
- THE PRODUCT IS FOR WAVE SOLDER ONLY. THE SUGGESTED PEAK WAVE SOLDERING CONDITION IS 260°C MAX AND 10 SECONDS MAX.



ORIGINATED BY  
ANTON LIAO

DATE 2018-07-21

DRAWN BY  
JESSE LI

DATE 2018-07-21

TITLE

10 gigabit MagJack®  
G15-111T-076C  
PATENTED

PART NO. / DRAWING NO.  
G15-111T076C

FILE NAME  
G15-111T076C\_B.DWG

STANDARD DIM. TOL. IN INCH	[ ] METRIC DIM. AS REF.
.X	UNIT : INCH [mm]
.XX	SCALE : N/A
.XXX	SIZE : A4
±0.010	

REV. : B PAGE : 3



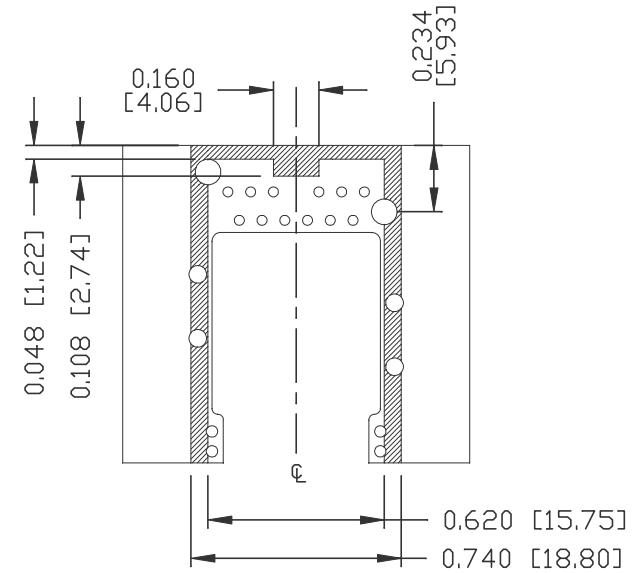
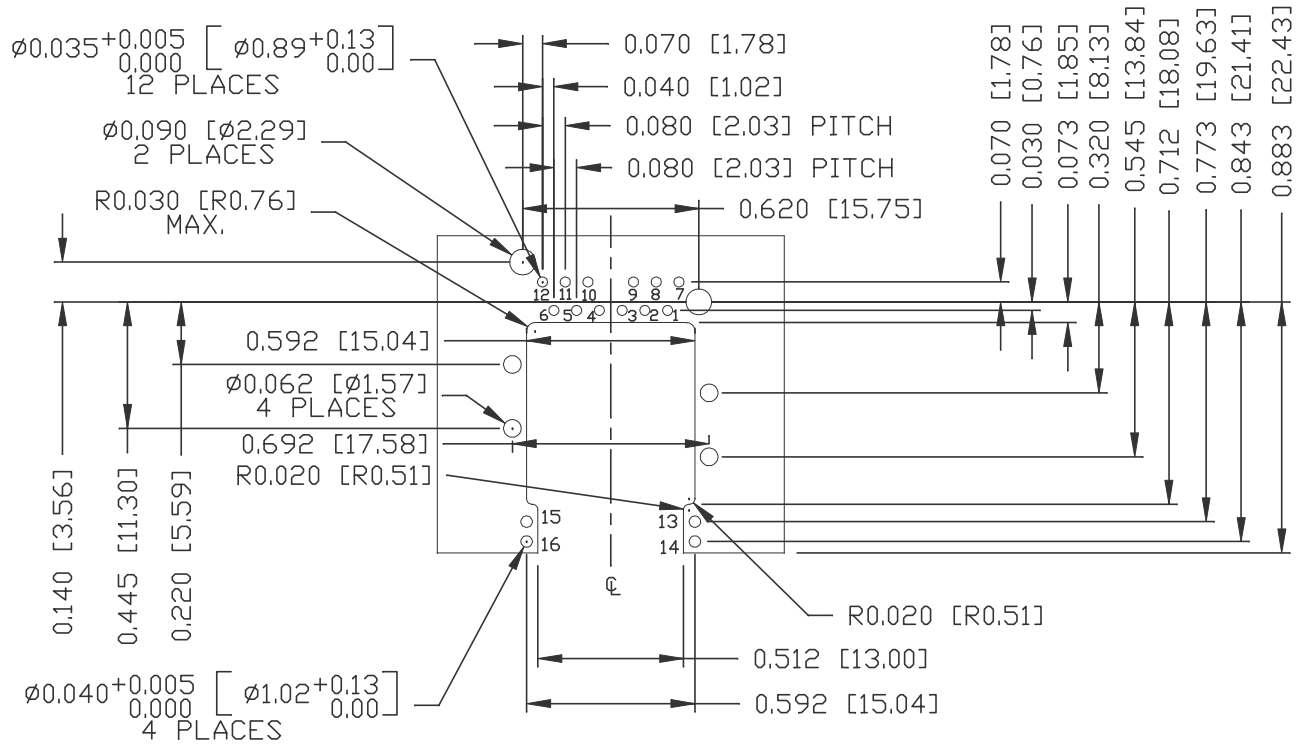
THE INFORMATION CONTAINED HEREIN IS CONSIDERED "PROPRIETARY" TO BEL FUSE INC. AND SHALL NOT BE COPIED, REPRODUCED OR DISCLOSED WITHOUT THE WRITTEN APPROVAL OF BEL FUSE INC.

RoHS



PRELIMINARY

RECOMMENDED PCB FOOTPRINT  
( COMPONENT SIDE VIEW )



SUGGESTED FOOTPRINT

NOTES:

THE SHADED AREA ON THE CUSTOMER BOARD ARE RECOMMENDED TO BE CLEAR OFF ANY VIA HOLE OR COMPONENT PAD.

ORIGINATED BY  
ANTON LIAO  
DATE 2018-07-21  
DRAWN BY  
JESSE LI  
DATE 2018-07-21

TITLE  
10 gigabit MagJack®  
G15-111T-076C  
PATENTED

PART NO. / DRAWING NO.  
G15-111T076C  
FILE NAME  
G15-111T076C\_B.DWG

STANDARD DIM. TOL. IN INCH	[ ] METRIC DIM. AS REF.
.X	UNIT : INCH [mm]
.XX	SCALE : N/A
.XXX	±0.004
	SIZE : A4

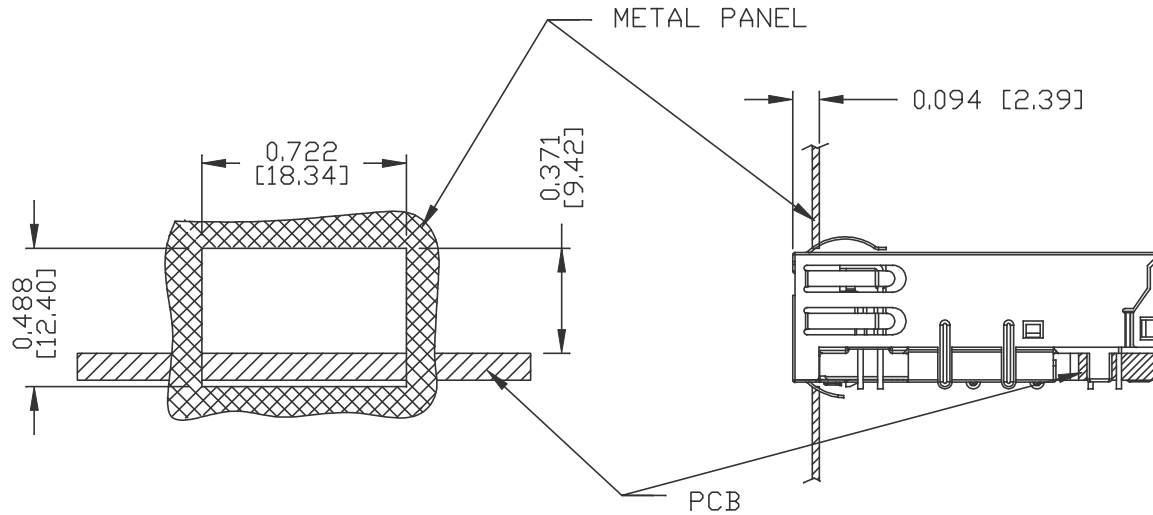
REV. : B PAGE : 4

a bel group

THE INFORMATION CONTAINED HEREIN IS CONSIDERED "PROPRIETARY" TO BEL FUSE INC. AND SHALL NOT BE COPIED, REPRODUCED OR DISCLOSED WITHOUT THE WRITTEN APPROVAL OF BEL FUSE INC.



SUGGESTED PANEL OPENING



NOTE:

THE DISTANCE OF PANEL INSIDE SURFACE RELATIVE TO FRONT SURFACE OF PART IS ONLY A SUGGESTION. IN CASE THIS DISTANCE IS DIFFERENT, THE REQUIRED PANEL OPENING DIMENSIONS CHANGE ACCORDINGLY.

PACKING INFORMATION

PACKING TRAY : 0200M9999-K3 (TOP)  
 0200M9999-K2 (BOTTOM)  
 PACKING QUANTITY : 48 PCS FINISHED GOODS PER TRAY.  
 10 TRAYS (480 PCS FINISHED GOODS) PER CARTON BOX.  
 REMARK : CARDBOARDS ARE PLACED BETWEEN LAYERS OF PACKING TRAY INSIDE CARTON BOX.  
 (INCLUDE THE UPPERMOST AND LOWERMOST TRAY)

ORIGINATED BY ANTON LIAO DATE 2018-07-21		TITLE 10 gigabit MagJack® G15-111T-076C PATENTED	PART NO. / DRAWING NO. G15-111T076C		STANDARD DIM. TOL. IN INCH		[ ] METRIC DIM. AS REF.		REV. : B	PAGE : 5
DRAWN BY JESSE LI DATE 2018-07-21			FILE NAME G15-111T076C_B.DWG		.X		UNIT : INCH [mm]		a bel group	
					.XX		SCALE : N/A			
				.XXX	±0.005	SIZE : A4				