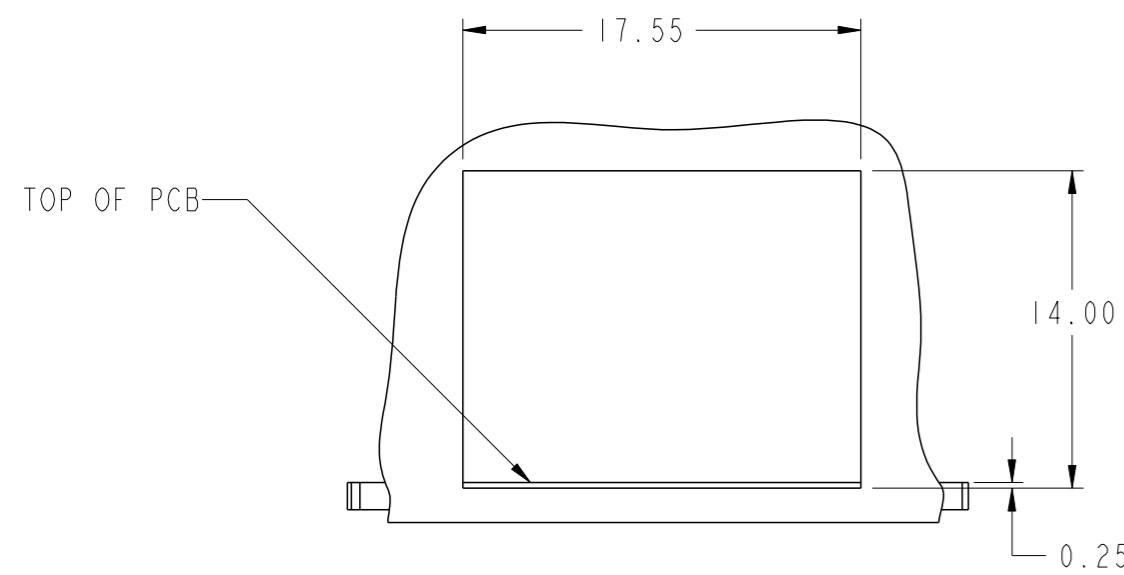
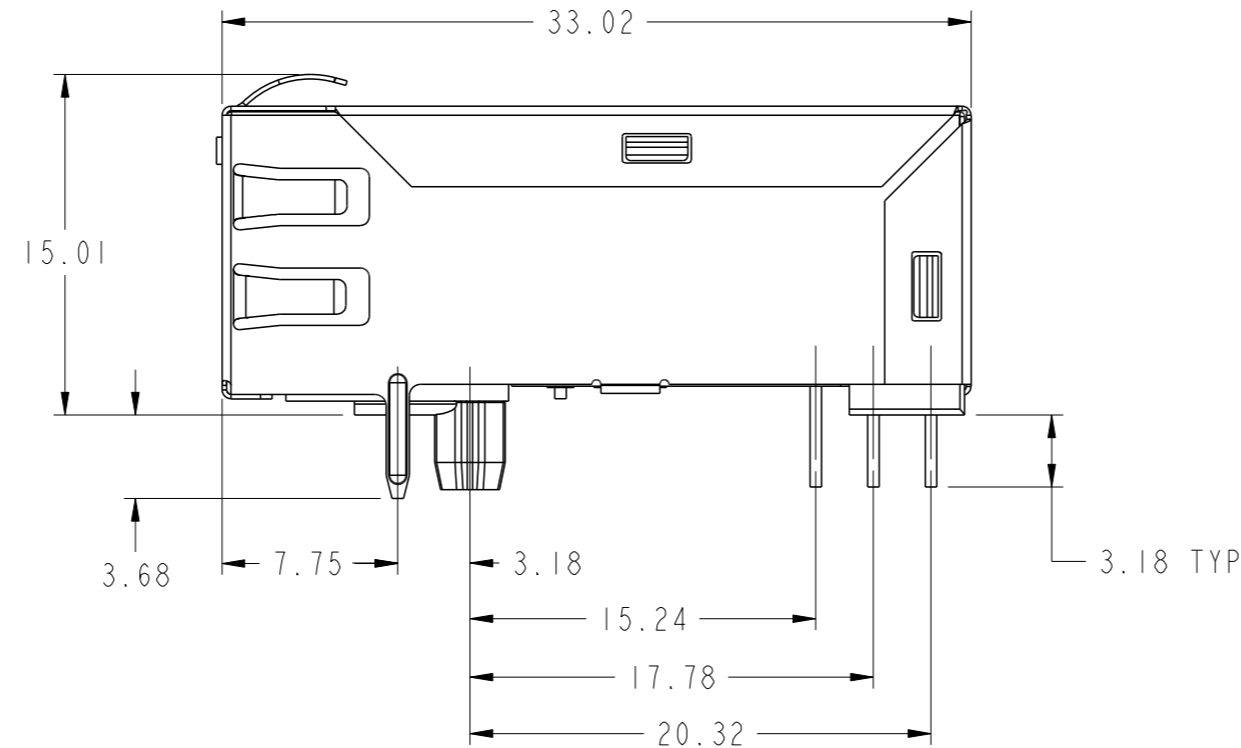
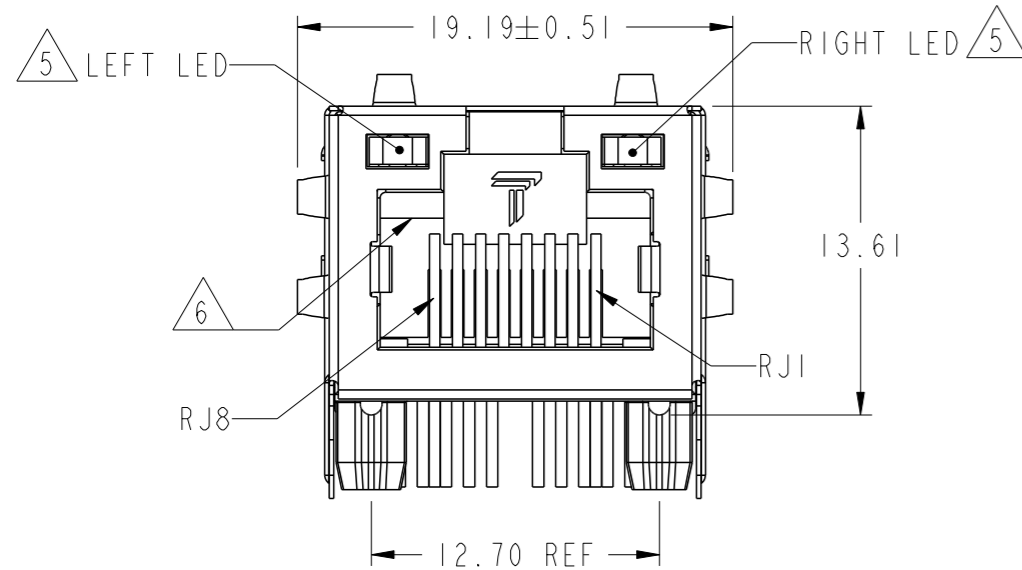
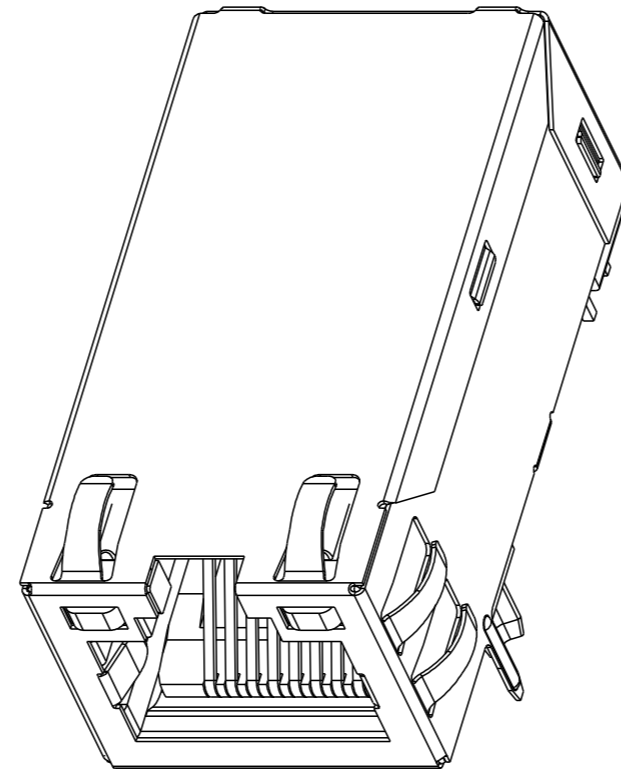
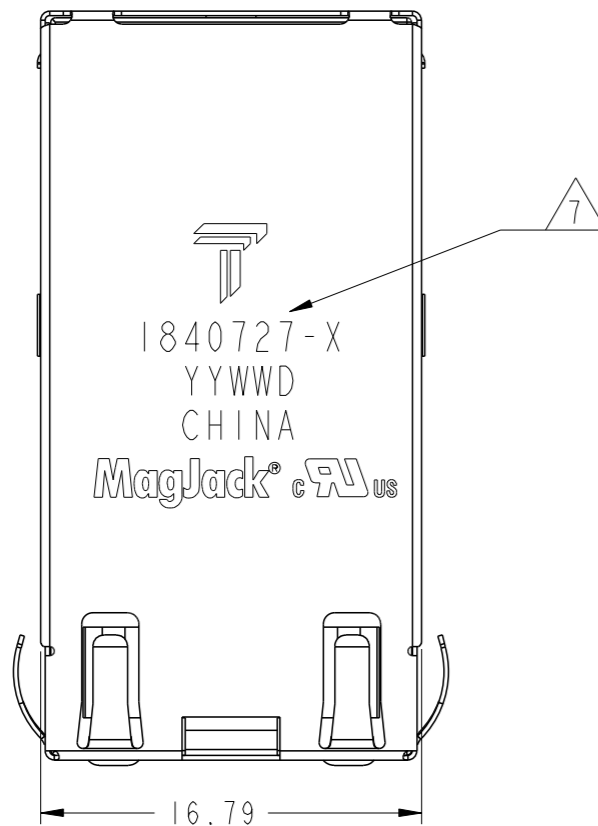


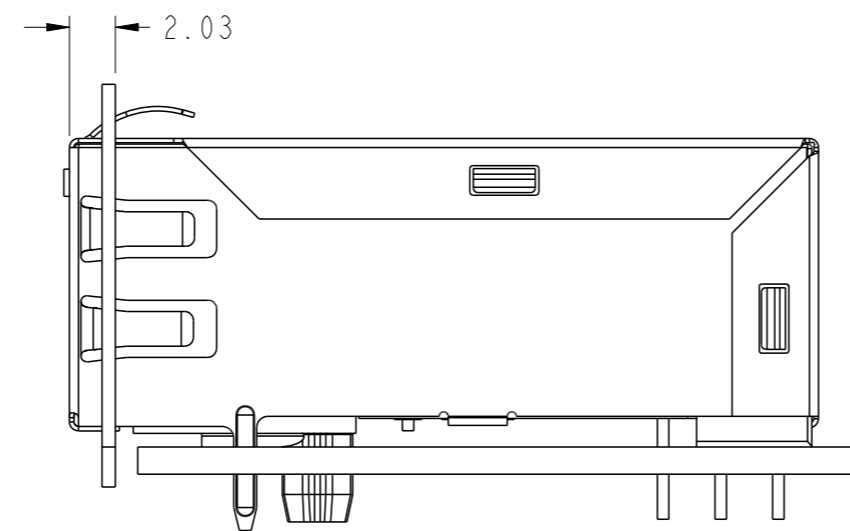
THIS DRAWING AND THE SUBJECT MATTER SHOWN THEREON ARE CONFIDENTIAL AND THE PROPERTY OF BEL/STEWART/TRP CONNECTOR AND SHALL NOT BE REPRODUCED, COPIED, OR USED IN ANY MANNER WITHOUT THE WRITTEN CONSENT OF TRP CONNECTOR.

PRODUCT MAY BE PROTECTED BY ONE OR MORE OF THE FOLLOWING US PATENTS:
 5736910 5939955 6425781 6428361 6554638 6840817 7123117
 7429195 7717749 7808751 6217391 6149050 7924130

REVISIONS				
P	LTR	DESCRIPTION	DATE	APVD
C		LOGO CHANGE	24APR2013	TY KZ
D		REVISED PER EC-1409016	15SEP2014	TYR TYN
E		COMPANY LOGO CHANGE EC-1411035	09JAN2015	TYR TYN



SUGGESTED PANEL CUTOUT VS CUSTOMER BOARD



CONNECTOR ASSEMBLED TO PANEL AND PCB

I. MATERIALS

HOUSING: THERMOPLASTIC, BLACK, FLAMMABILITY RATING UL 94V-0
 SHIELD: BRASS, 0.20mm THICK
 PREPLATED WITH MIN 0.76um SEMI-BRIGHT NICKEL
 POST DIPPED WITH 2.54um MIN SAC SOLDER AT GROUND PINS.
 CONTACT: PHOSPHOR BRONZE, 0.46mmX0.25mm
 WITH 1.27um MIN OVERALL NICKEL UNDERPLATE AND
 SELECTIVE 1.27um MIN GOLD PLATING AT MATING INTERFACE
 SOLDER TAIL: COPPER CLADDED STEEL, 0.50mm SQUARE
 PLATED WITH 2.54um MIN MATTE TIN
 LIGHT PIPE: POLYCARBON, TRANSPARENT, RATING UL 94V-0
 LED: DIFFUSED EPOXY LENS, 0.50mm SQUARE CARBON STEEL WIREFRAME LEADS
 PREPLATED WITH 2.03um MIN SILVER OVER 1.02um MIN NICKEL OVER 1.02um
 MIN COPPER UNDERPLATE, POST PLATED WITH 2.54um MIN TIN.
 TIP TIN DIPPING

△ MAGNETICS

-APPLICATION: 10/100/1000 BASE-T
 -IMPEDANCE: 100 OHMS
 -TURNS RATIO (CHIP:CABLE): 1:1 ALL FOUR PAIRS
 -OPEN CIRCUIT INDUCTANCE (OCL): 350uH MIN @100kHz, 0.1VRMS,
 8mADC BIAS FROM 0°C TO 70°C, ALL FOUR PAIRS
 -ALL FOUR PAIRS BI-DIRECTIONAL
 -PERFORMANCE @ 25°C:
 INSERTION LOSS (IL): 1.1dB MAX FROM 0.5MHz TO 100MHz
 RETURN LOSS (RL): 18dB MIN FROM 0.5MHz TO 40MHz
 12-20LOG(f/80)dB MIN FROM 40.1MHz TO 100MHz
 CROSSTALK ATTENUATION: 35dB MIN FROM 0.5MHz TO 40MHz
 33-20LOG(f/50)dB MIN FROM 40.1MHz TO 100MHz
 COMMON MODE REJECTION RATIO (CMRR): 30dB MIN FROM 0.5MHz TO 100MHz
 -ISOLATION VOLTAGE: 2250 VDC FOR 60 SECONDS DURATION.

△ THE MAGNETICS ARE SYMMETRICAL AND SUPPORT AUTO-MDIX OPERATION.

4. OPERATING TEMPERATURE: 0°C ~ 70°C

△ LEDS ARE DRIVEN WITH CONSTANT CURRENT AT APPROX 20mA.


LED COLOR: DOMINANT WAVELENGTH (λD): GREEN 568 nm TYP. at IF=20mA
 FORWARD VOLTAGE (VF): GREEN 2.2V TYP. at IF=20mA
 DOMINANT WAVELENGTH (λD): YELLOW 588 nm TYP. at IF=20mA
 FORWARD VOLTAGE (VF): YELLOW 2.1V TYP. at IF=20mA
 DOMINANT WAVELENGTH (λD): ORANGE 605 nm TYP. at IF=20mA
 FORWARD VOLTAGE (VF): ORANGE 2.1V TYP. at IF=20mA

△ RJ45 CAVITY CONFORMS TO FCC RULES AND REGULATION PART 68 SUBPART F.

△ TRP CONNECTOR LOGO, PART NUMBER, DATE CODE, COUNTRY OF ORIGIN AND AGENCY LOGO TO BE MARKED IN APPROPRIATE LOCATION SHOWN.

8. THESE PARTS ARE RECOMMENDED FOR WAVE SOLDERING PROCESS, PREHEAT TEMPERATURE IS 120°C TO 160°C, 120 SECONDS TO 180 SECONDS, PEAK WAVE SOLDERING TEMPERATURE IS 260°C MAX, 10 SECONDS MAX.

GREEN	GREEN/ORANGE	1-1840727-8
GREEN	GREEN/YELLOW	1-1840727-6
GREEN/ORANGE	YELLOW	1-1840727-3
YELLOW	GREEN	1840727-9
GREEN	GREEN	1840727-7
GREEN/YELLOW	GREEN/YELLOW	1840727-6
LEFT LED△5	RIGHT LED△5	PART NUMBER

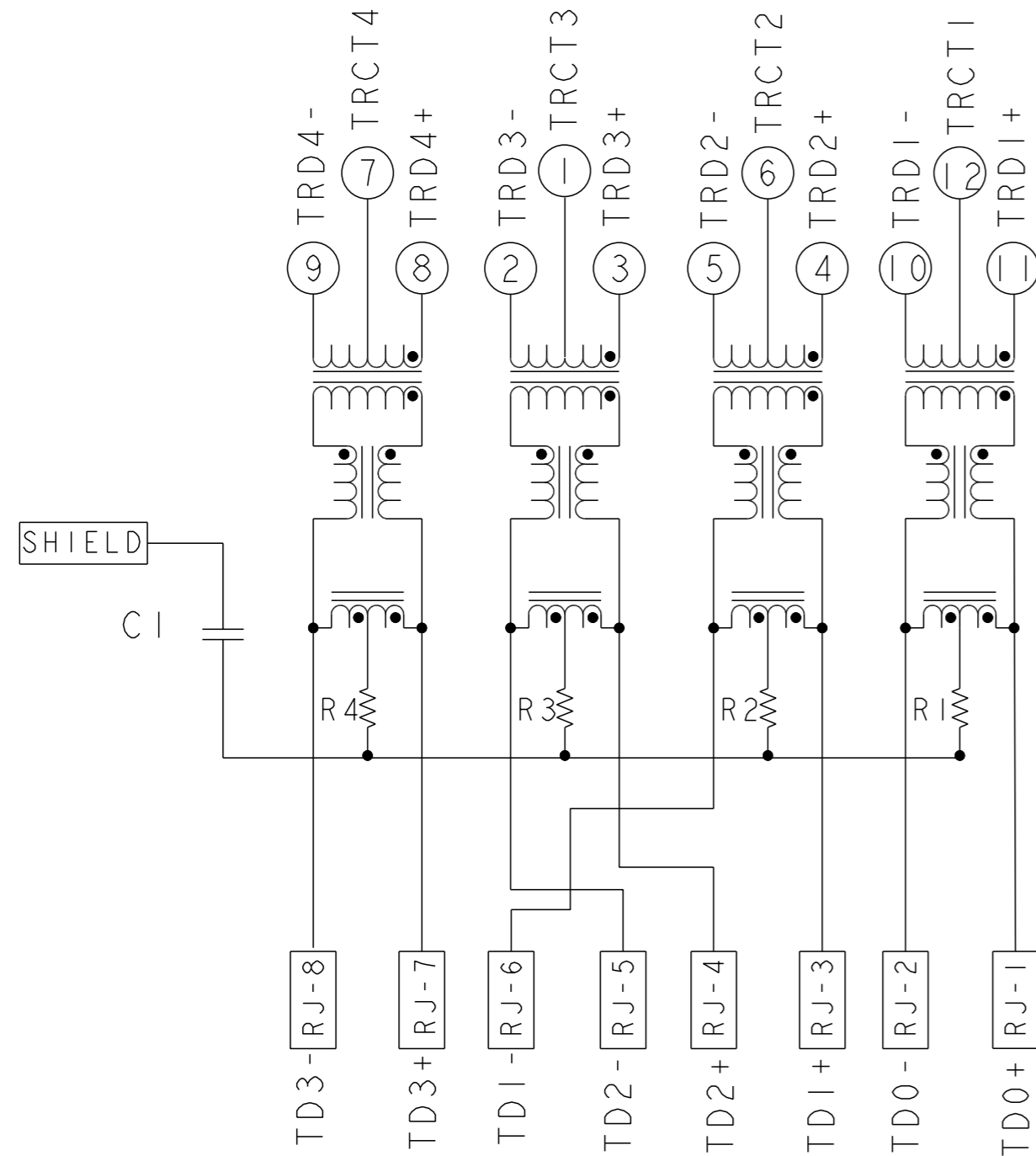
THIS DRAWING IS A CONTROLLED DOCUMENT.		DWN: JALU XU 30NOV2006	 trp CONNECTOR a bel group DONGGUAN CHINA	
DIMENSIONS: mm		CHK: KEITH ZHU 30NOV2006		
TOLERANCES UNLESS OTHERWISE SPECIFIED:		APVD: TEDDY XIONG 30NOV2006		
0 PLC ± 1 PLC ±0.25 2 PLC ±0.25 3 PLC ±0.25 4 PLC ± ANGLES ± APPLICATION SPEC		MODEL NAME: MAGJACK SINGLE NON-POE		
PRODUCT SPEC: 108-2100		DESC: 1X1 1G27 GIGABIT TAB UP W/ LED		RESTRICTED TO: -
CUSTOMER DRAWING			SIZE: A2	SCALE: 2:1
			DRAWING NO: C-1840727	SHEET 1 OF 2
			REV: E	

D

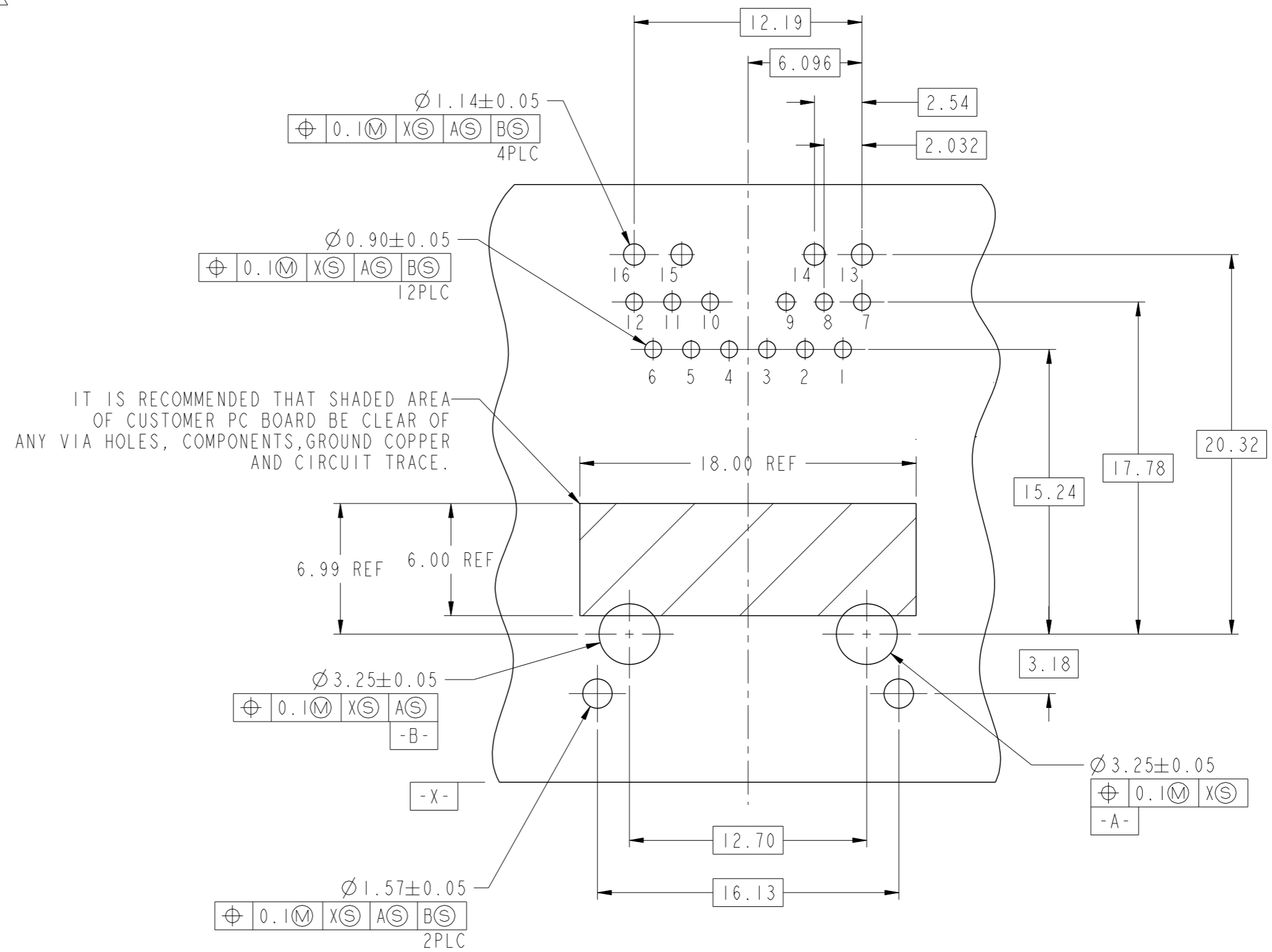
Additional Resources: Product Page PCB Footprint Technical Documentation

A

IG27 GIGABIT CIRCUIT

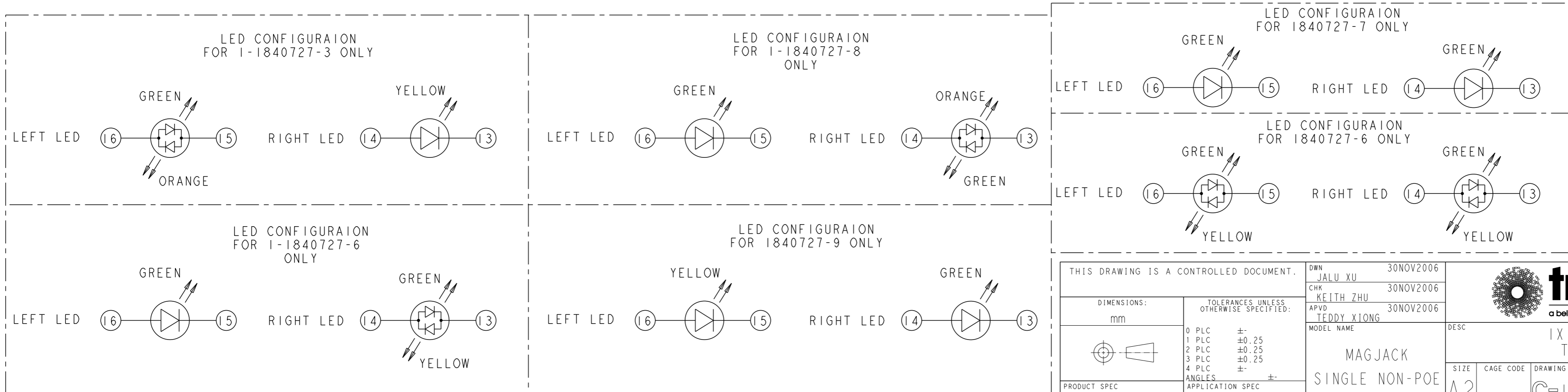


C1= 1000 pF, 2kV, DECOUPLING CAPACITOR
 R1 - R4 = 75 Ohms, 1/16W, 5% RESISTORS



IT IS RECOMMENDED THAT SHADED AREA OF CUSTOMER PC BOARD BE CLEAR OF ANY VIA HOLES, COMPONENTS, GROUND COPPER AND CIRCUIT TRACE.

SUGGESTED CUSTOMER PCB COMPONENT SIDE
 SCALE 4:1



THIS DRAWING IS A CONTROLLED DOCUMENT.		DWN: JALU XU 30NOV2006	 trp CONNECTOR a bel group DONGGUAN CHINA	DESC: 1X1 IG27 GIGABIT TAB UP W/ LED
DIMENSIONS: mm		CHK: KEITH ZHU 30NOV2006		
TOLERANCES UNLESS OTHERWISE SPECIFIED:		APVD: TEDDY XIONG 30NOV2006		
0 PLC ± 1 PLC ±0.25 2 PLC ±0.25 3 PLC ±0.25 4 PLC ± ANGLES ± APPLICATION SPEC		MODEL NAME: MAGJACK SINGLE NON-POE		
PRODUCT SPEC: 108-2100		SIZE: A2	CAGE CODE: C-1840727	RESTRICTED TO: -
CUSTOMER DRAWING			SCALE: 2:1	SHEET 2 OF 2 REV E