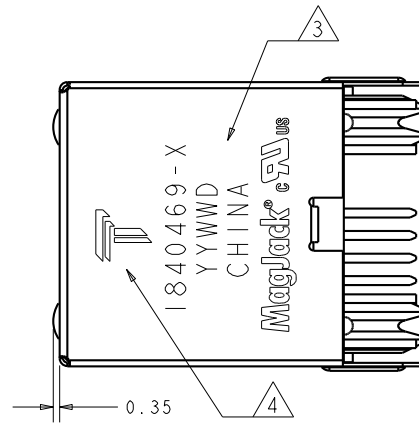
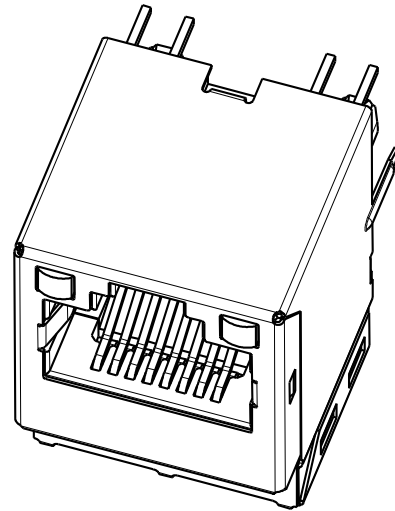


THIS DRAWING AND THE SUBJECT MATTER SHOWN THEREON ARE CONFIDENTIAL AND THE PROPERTY OF BEL/STEWART/TRP CONNECTOR AND SHALL NOT BE REPRODUCED, COPIED, OR USED IN ANY MANNER WITHOUT THE WRITTEN CONSENT OF TRP CONNECTOR.

PRODUCT MAY BE PROTECTED BY ONE OR MORE OF THE FOLLOWING US PATENTS:
 5736910 5939955 6425781 6428361 6554638 6840817 7123117
 7429195 7717749 7808751 6217391 6149050 7924130

| REVISIONS | | | | |
|-----------|-----|-------------------------|-----------|-------|
| P | LTR | DESCRIPTION | DATE | APVD |
| D | | EC-1411035, LOGO CHANGE | 19JAN2015 | JC TY |



1 MATERIALS:
 PLASTIC HOUSING: BLACK, THERMOPLASTIC FLAMMABILITY RATING UL 94V-0
 SHIELD: BRASS, PREPLATED WITH 0.76um MIN SEMI-BRIGHT NICKEL,
 POST DIPPED WITH 2.54um MIN SAC SOLDER ON SOLDER TAILS,
 CONTACTS: PHOSPHOR BRONZE, 1.27um MIN OVERALL NICKEL UNDERPLATE WITH
 SELECT 1.27um MIN GOLD AT MATING INTERFACE AND 2.54um
 MIN MATTE TIN ON SOLDER TAILS.
 ALL PC BOARDS: HIGH TEMP PCB, TG>170°C.
 LED: DIFFUSED EPOXY LENS, 0.50mm SQUARE CARBON STEEL WIREFRAME LEADS
 PREPLATED WITH 2.03um MIN SILVER OVER 1.02um MIN NICKEL
 OVER 1.02um MIN COPPER UNDERPLATE POST PLATED WITH 2.54um MIN TIN

2 MAGNETICS
 APPLICATION: 10/100 BASE-T, EXTENDED TEMPERATURE, PoE
 IMPEDANCE: 100 OHMS
 TURNS RATIO (CHIP:CABLE): TX = 1:1, RX = 1:1
 OPEN CIRCUIT INDUCTANCE (OCL): 350uH MIN @100kHz, 0.1VRMS,
 8mADC BIAS FROM -40°C TO +85°C, TX AND RX
 POE CURRENT: 350mADC MAX
 PERFORMANCE @ 25°C:
 INSERTION LOSS (IL): 1.1dB MAX FROM 0.5MHz TO 100MHz
 RETURN LOSS (RL): 18dB MIN FROM 0.5MHz TO 30MHz
 18-20LOG(f/30)dB MIN FROM 30.1MHz TO 60MHz
 12dB MIN FROM 60.1MHz TO 80MHz
 CROSSTALK ATTENUATION: 35dB MIN FROM 0.5MHz TO 40MHz
 33-20LOG(f/50)dB MIN FROM 40.1MHz TO 100MHz
 COMMON MODE REJECTION RATIO (CMRR): 30dB MIN FROM 0.5MHz TO 100MHz
 ISOLATION VOLTAGE: COMPLIES WITH IEEE802.3af 2003, PARA 33.4.1, ITEM a.

3 PART NUMBER, DATE CODE AND COUNTRY OF ORIGIN LOCATED IN APPROXIMATE AREA SHOWN. DATE CODE: YY IS YEAR, WW IS WORK WEEK, D IS DAY OF WEEK WITH SUNDAY=1

4 TRP CONNECTOR LOGO AND AGENCY APPROVAL LOGO, TO BE LOCATED IN APPROXIMATE AREA SHOWN.

5 OPERATING TEMP: FROM -40°C TO +85°C.

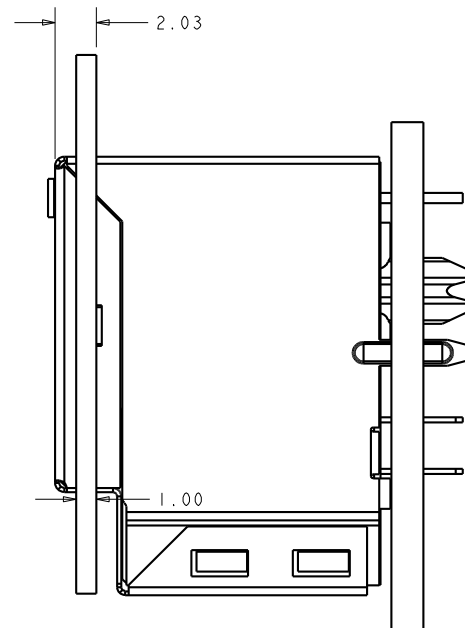
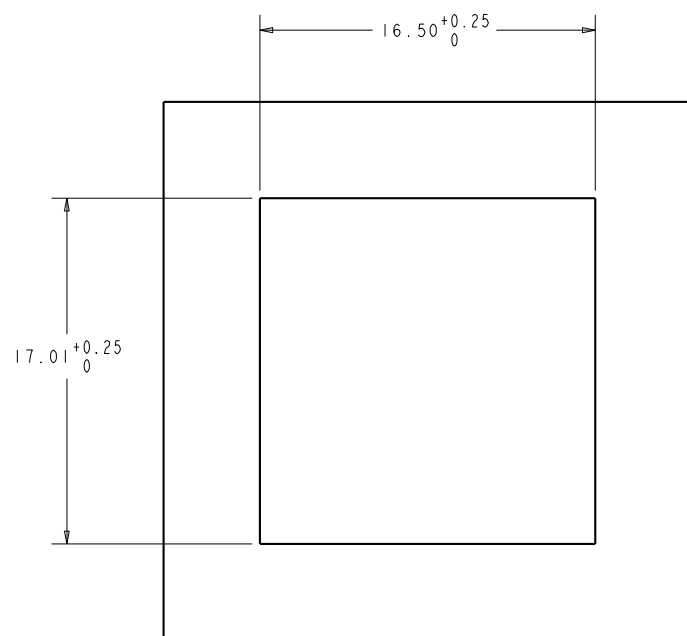
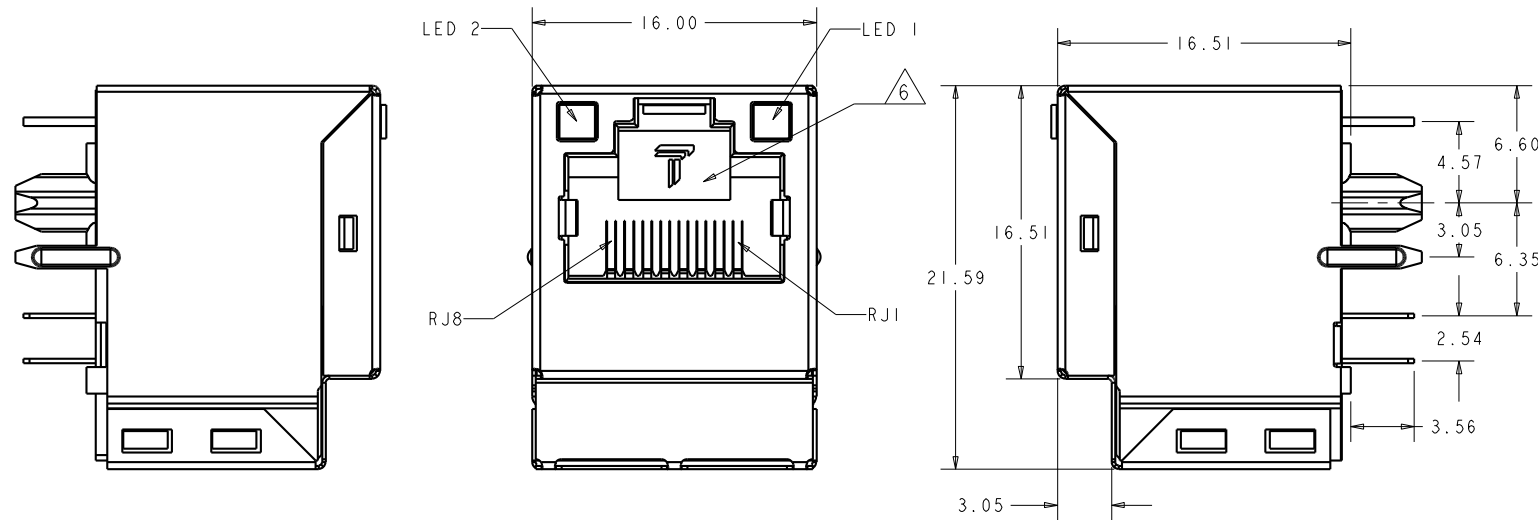
6 RJ45 CAVITY CONFORMS TO FCC RULES AND REGULATION PART 68 SUBPART F.

7 THE PARTS ARE RECOMMENDED FOR WAVE SOLDERING PROCESS, PEAK TEMPERATURE 260°C MAX. 10 SECONDS MAX.


8 LED IS DRIVEN WITH CONSTANT CURRENT AT APPROX 20mA.

DOMINANT WAVELENGTH(λ D)
 GREEN 568nm TYP.at IF=20mA
 YELLOW 588nm TYP.at IF=20mA

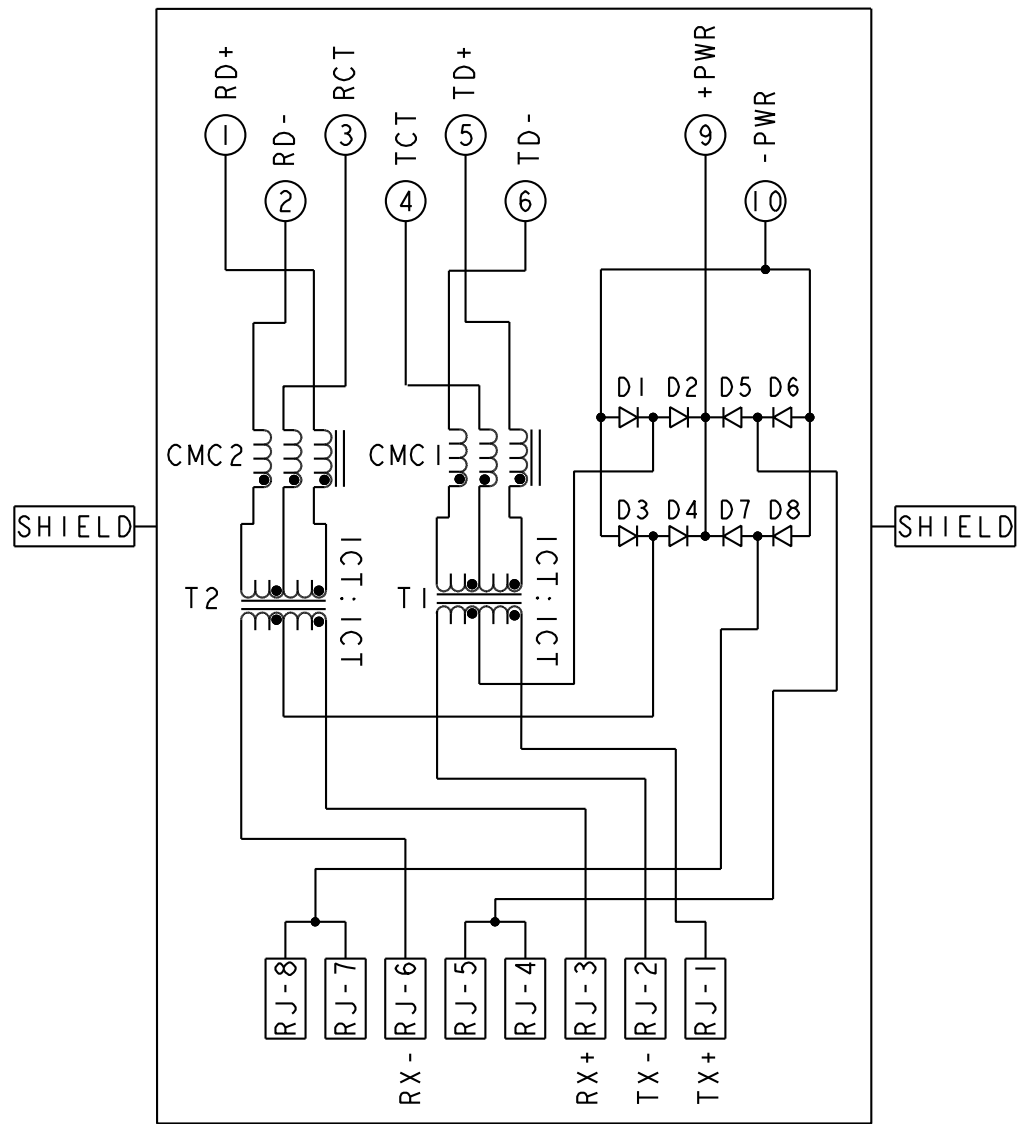
FORWARD VOLTAGE(VF):
 GREEN 2.2V TYP.at IF=20mA
 YELLOW 2.1V TYP.at IF=20mA



| | | |
|---------|---------|-------------|
| GRN/YEL | GRN/YEL | 1840469-4 |
| YELLOW | GREEN | 1840469-3 |
| GREEN | YELLOW | 1840469-2 |
| GREEN | GREEN | 1840469-1 |
| LED 1 | LED 2 | PART NUMBER |

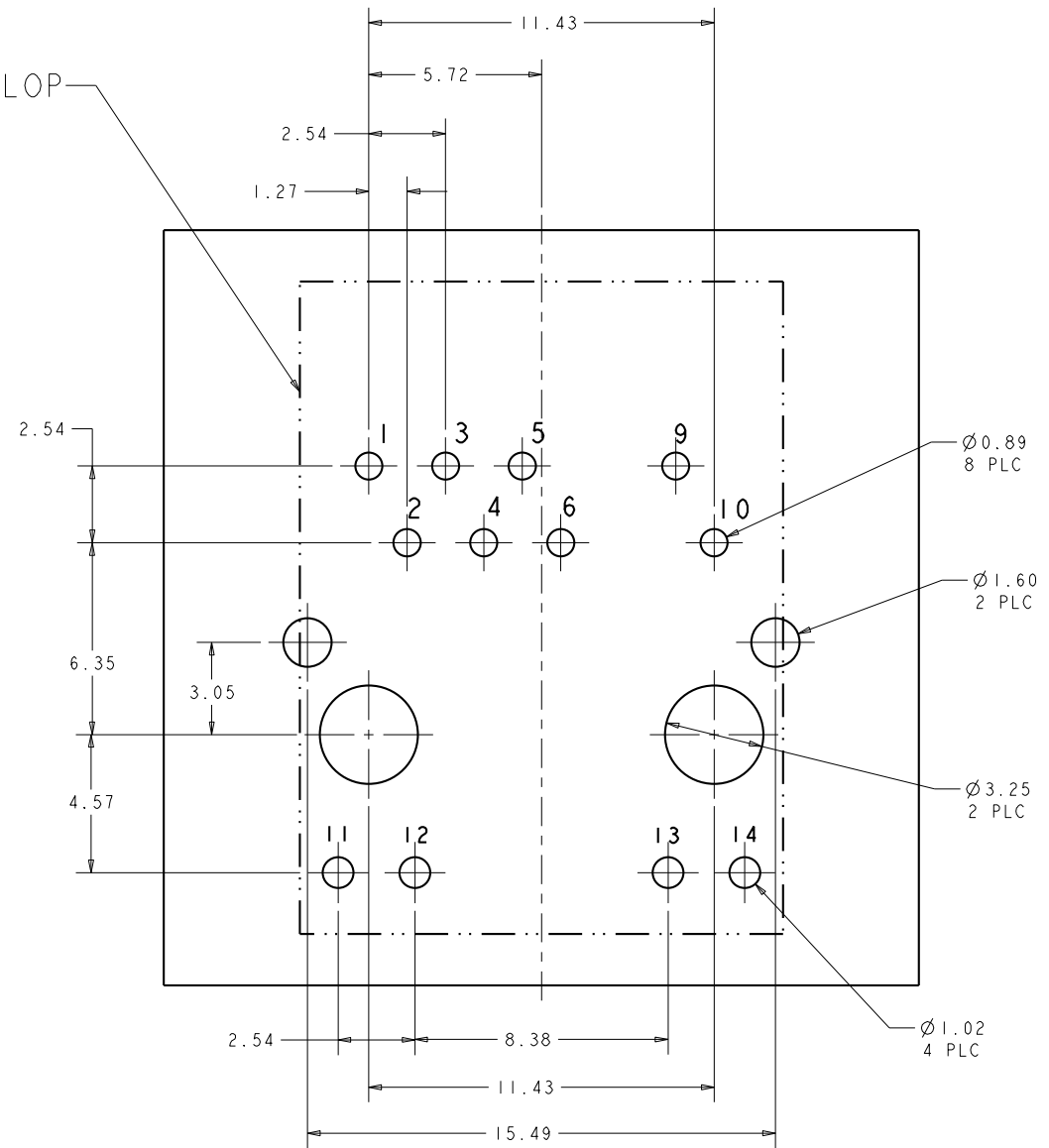
| | | | |
|--|--|---|---|
| THIS DRAWING IS A CONTROLLED DOCUMENT. | | DWN WESLEY.YI 25DEC2008 |  trp CONNECTOR a bel group DONGGUAN CHINA |
| DIMENSIONS: mm | | CHK KEITH.ZHU 25DEC2008 | |
| TOLERANCES UNLESS OTHERWISE SPECIFIED: | | APVD TEDDY.XIONG 25DEC2008 | |
| 0 PLC ±0.25 1 PLC ±0.25 2 PLC ±0.25 3 PLC ±0.25 4 PLC ±0.25 ANGLES ±° APPLICATION SPEC | | MODEL NAME | |
| PRODUCT SPEC | | MAGJACK SINGLE NON-POE | DESC IXI, MAGJACK, VERTICAL 7D52ET, 10/100 CIRCUIT, W/ LEDS |
| | | SIZE A2 | CAGE CODE C=1840469 |
| | | CUSTOMER DRAWING SCALE 3:1 SHEET 1 OF 2 REV D | |

7D52ET 10/100 BASE-T POE CIRCUIT



DI-D8 = Rectifier Diode
 Forward Voltage, $V_f = 1.2V \text{ Max @ } I_f=0.5A$
 Forward Current, $I_f = 0.5A \text{ Max}$
 Reverse Voltage, $V_r = 80V \text{ Max}$

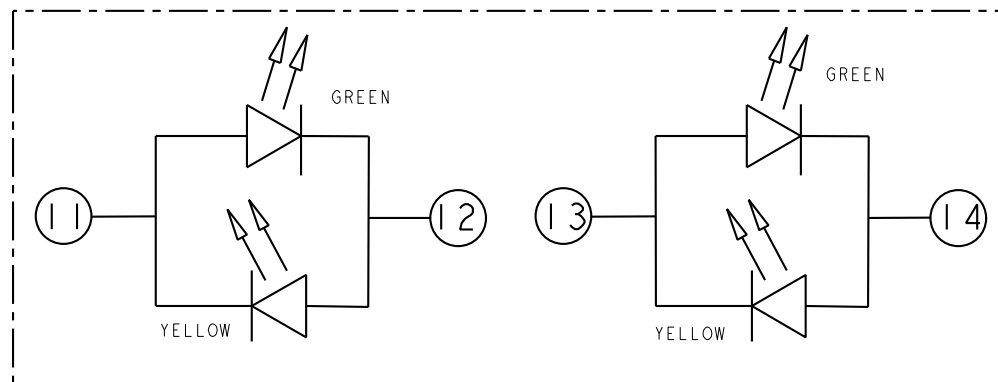
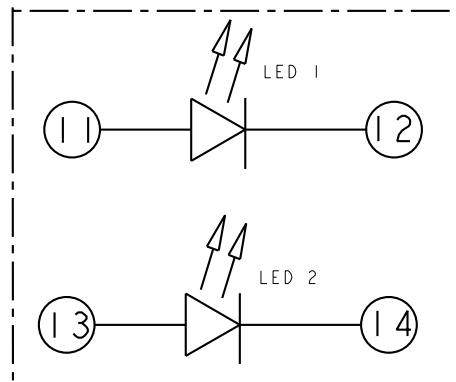
CONNECTOR ENVELOP




SUGGESTED PCB LAYOUT (TOL: ±0.05)
 (COMPONENT SIDE VIEW)

SINGLE COLOR LED

BI-COLOR LED



| | | | |
|---|--|---|---|
| THIS DRAWING IS A CONTROLLED DOCUMENT. | | DWN: WESLEY.YI 25DEC2008 |  trp CONNECTOR a bel group DONGGUAN CHINA |
| DIMENSIONS: mm | | CHK: KEITH.ZHU 25DEC2008 | |
| TOLERANCES UNLESS OTHERWISE SPECIFIED: | | APVD: TEDDY.XIONG 25DEC2008 | |
| 0 PLC ±0.25 1 PLC ±0.25 2 PLC ±0.25 3 PLC ±0.25 4 PLC ±0.25 ANGLES ±° APPLICATION SPEC ±° | | MODEL NAME: MAGJACK | |
| PRODUCT SPEC | | DESC: IXL MAGJACK, VERTICAL 7D52ET, 10/100 CIRCUIT, W/ LEDS | |
| | | SIZE: A2 | CAGE CODE: C-1840469 |
| | | CUSTOMER DRAWING | |
| | | SCALE: 3:1 | SHEET 2 OF 2 REV D |