

THE INFORMATION CONTAINED HEREIN IS CONSIDERED "PROPRIETARY" TO BEL FUSE INC. AND SHALL NOT BE COPIED, REPRODUCED OR DISCLOSED WITHOUT THE WRITTEN APPROVAL OF BEL FUSE INC.

RoHS



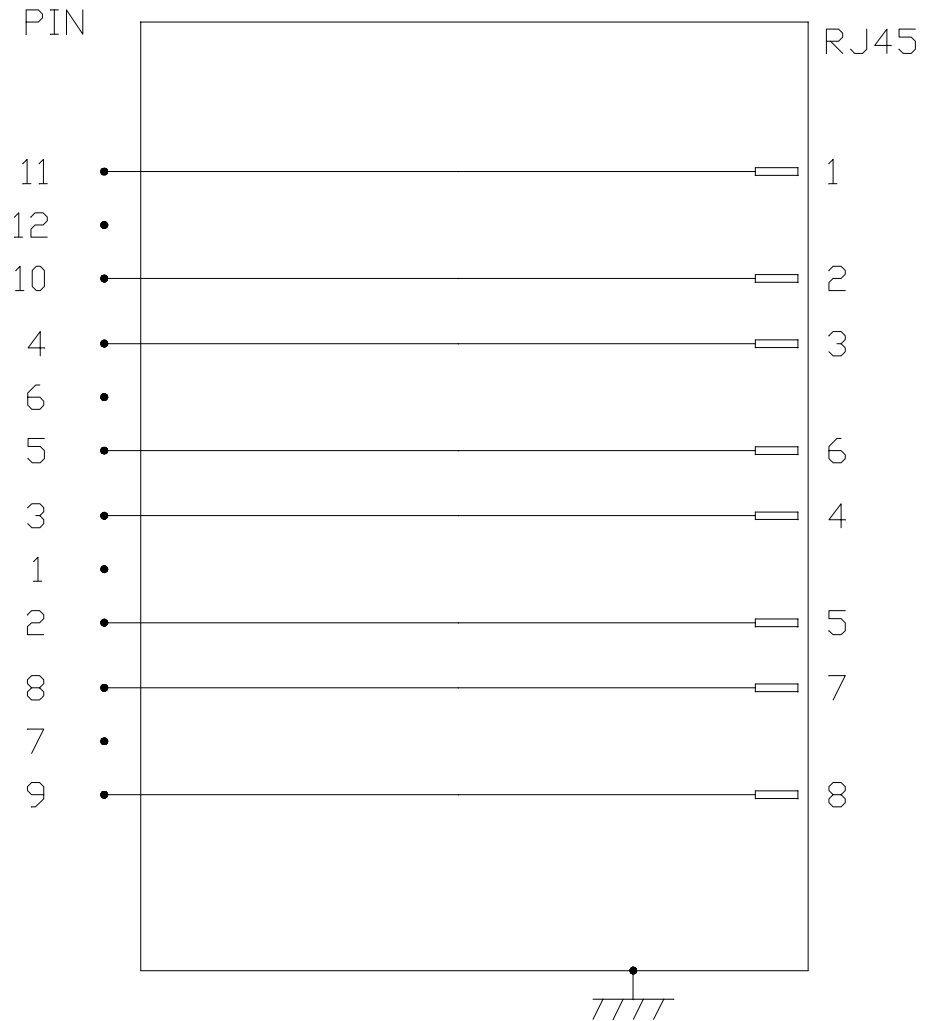
SCHEMATIC

ELECTRICAL SPECIFICATIONS

(pin 11 - RJ1),(pin 10 - RJ2),(pin 4 - RJ3),(pin 5 - RJ6), CONTINUITY
 (pin 3 - RJ4),(pin 2 - RJ5), (pin 8 - RJ7), (pin 9 - RJ8), CONTINUITY

USB ELECTRICAL:

INSULATION RESISTANCE: 1000 MEGΩ(MIN)
 CONTACT RESISTANCE: 25 MILLIΩ(MAX)
 DIELECTRIC WITHSTANDING: 750 VAC



ORIGINATED BY
 CHOW WANCHUNG
 DATE 2014-12-19
 DRAWN BY
 HU XIANG
 DATE 2014-12-19

TITLE
 Passive Combo Connector
 0820-1X1T-00-F

PART NO. / DRAWING NO.
 08201X1T00-F
 FILE NAME
 08201X1T00-F_B.DWG

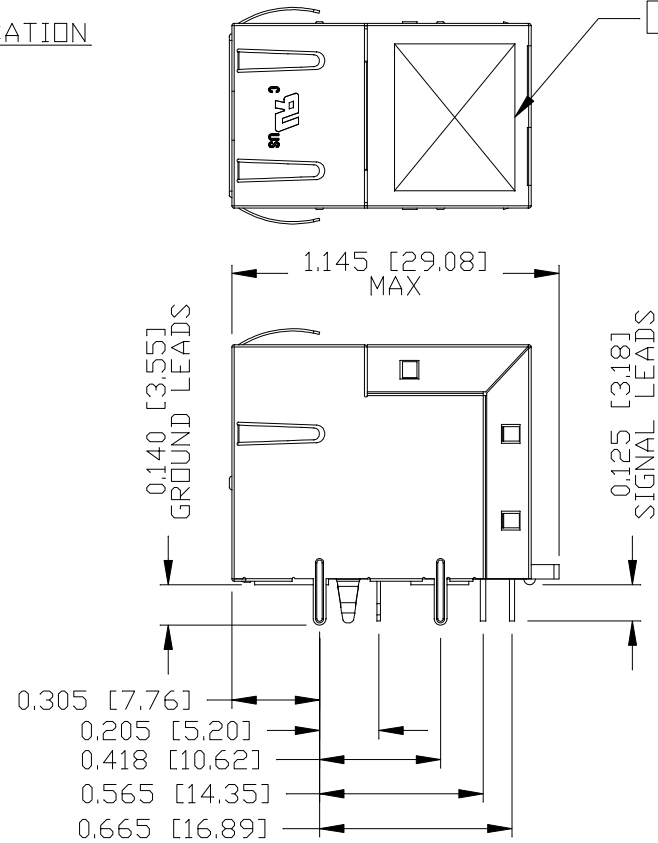
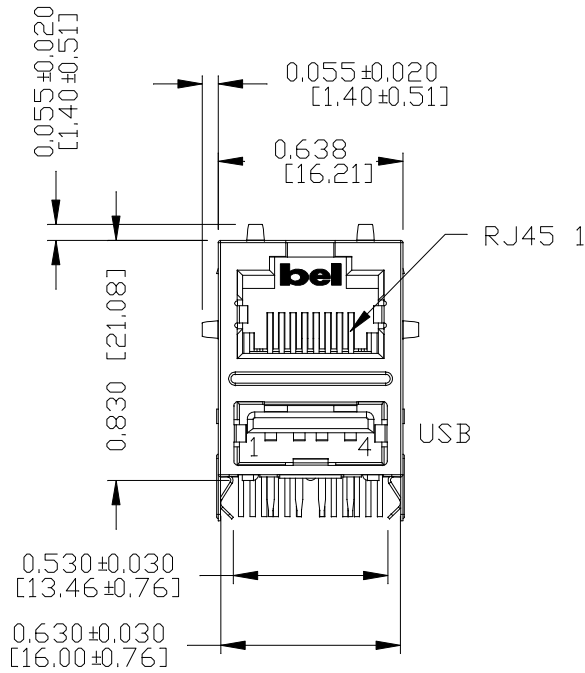
STANDARD DIM. TOL. IN INCH	[] METRIC DIM. AS REF.
.X	UNIT : INCH [mm]
.XX	SCALE : N/A
.XXX	SIZE : A4

REV. : B PAGE : 2



THE INFORMATION CONTAINED HEREIN IS CONSIDERED "PROPRIETARY" TO BEL FUSE INC. AND SHALL NOT BE COPIED, REPRODUCED OR DISCLOSED WITHOUT THE WRITTEN APPROVAL OF BEL FUSE INC.

MECHANICAL SPECIFICATION



RJ45 MECHANICAL:

PLASTIC HOUSING: THERMOPLASTIC PBT
 FLAMMABILITY RATING UL 94V-0
 CONTACT PLATING: 30 MICRO-INCH HARD GOLD PLATING OR EQUIVALENT
 PINS: TIN-COATED COPPER WIRE, DIA 0.018 INCH.
 METAL SHIELD: NICKEL PLATED ON COPPER ALLOY.
 (ALL GROUND LEADS ARE SOLDER DIPPED)

1. MARK PART WITH MFG LOGO, MFG NAME, PART NUMBER, DATE CODE.

2. THE PRODUCT IS RoHS COMPLIANT.

UL RECOGNIZED - FILE #E196366 AND E169987.

USB MECHANICAL:

MATING FORCE: 35 NEWTONS MAXIMUM
 UNMATING FORCE: 10 NEWTONS MINIMUM
 CONTACT: PROSPER BRONZE GOLD PLATING ON CONTACT AREA AND TIN ON SOLDER TAIL.
 30 MICRO-INCH GOLD PLATING ON CONTACT AREA

ORIGINATED BY
 ANTON LIAO
 DATE 2014-12-19
 DRAWN BY
 JESSE LI
 DATE 2014-12-19

TITLE
 Passive Combo Connector
 0820-1X1T-00-F

PART NO. / DRAWING NO.
 08201X1T00-F
 FILE NAME
 08201X1T00-F_B.DWG

STANDARD DIM. TOL. IN INCH	[] METRIC DIM. AS REF.
.X	UNIT : INCH [mm]
.XX	SCALE : N/A
.XXX ±0.010	SIZE : A4

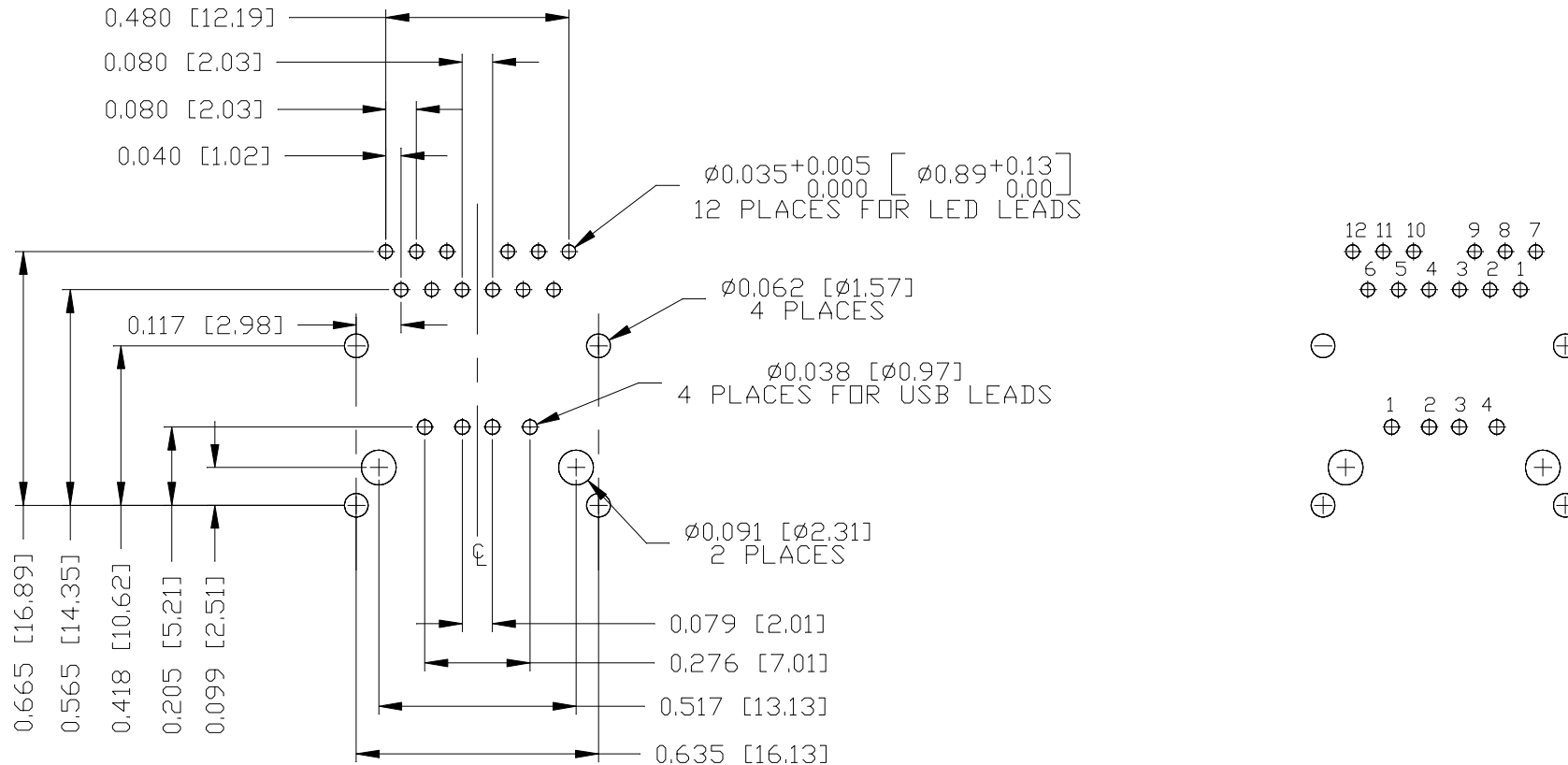
REV. : B PAGE : 3



THE INFORMATION CONTAINED HEREIN IS CONSIDERED PROPRIETARY TO BEL FUSE INC. AND SHALL NOT BE COPIED, REPRODUCED OR DISCLOSED WITHOUT THE WRITTEN APPROVAL OF BEL FUSE INC.



RECOMMENDED PCB FOOTPRINT
COMPONENT SIDE VIEW



ORIGINATED BY ANTON LIAO
DATE 2014-12-19
DRAWN BY JESSE LI
DATE 2014-12-19

TITLE Passive Combo Connector 0820-1X1T-00-F
--

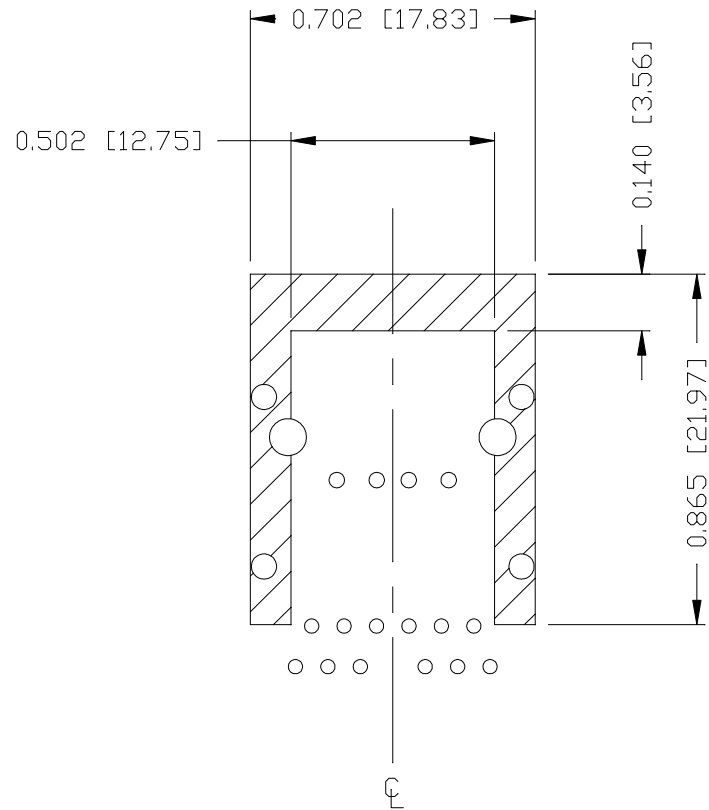
PART NO. / DRAWING NO. 08201X1T00-F
FILE NAME 08201X1T00-F_B.DWG

STANDARD DIM. TOL. IN INCH	[] METRIC DIM. AS REF.
.X	UNIT : INCH [mm]
.XX	SCALE : N/A
.XXX ±0.004	SIZE : A4

REV. : B	PAGE : 4
----------	----------



THE INFORMATION CONTAINED HEREIN IS CONSIDERED 'PROPRIETARY' TO BEL FUSE INC. AND SHALL NOT BE COPIED, REPRODUCED OR DISCLOSED WITHOUT THE WRITTEN APPROVAL OF BEL FUSE INC.



NOTES

THE SHADED AREA ON THE CUSTOMER BOARD ARE RECOMMENDED TO BE CLEAR OFF ANY VIA HOLE OR COMPONENT PAD.

ORIGINATED BY ANTON LIAO DATE 2014-12-19 DRAWN BY JESSE LI DATE 2014-12-19		TITLE Passive Combo Connector 0820-1X1T-00-F		PART NO. / DRAWING NO. 08201X1T00-F FILE NAME 08201X1T00-F_B.DWG		STANDARD DIM. TOL. IN INCH .X .XX .XXX ±0.004		[] METRIC DIM. AS REF. UNIT : INCH [mm] SCALE : N/A SIZE : A4		REV. : B	PAGE : 5
---	--	--	--	---	--	--	--	---	--	----------	----------



002(2)120214

This document is electronically generated. This is a controlled copy if used internally

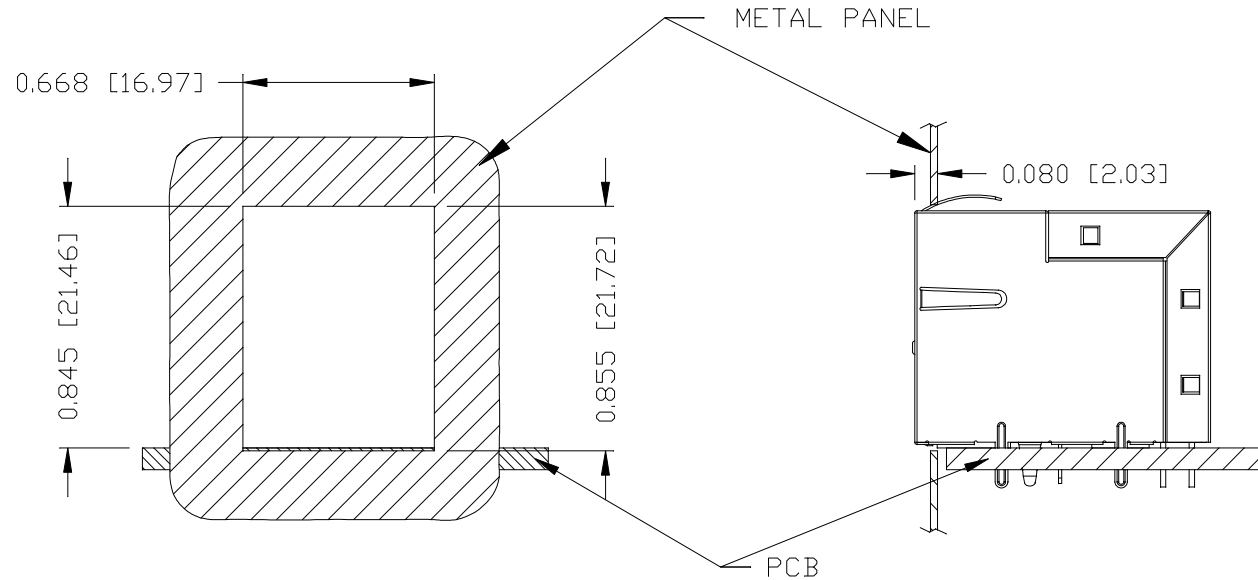
Please read our datasheet & drawing disclaimer [here](#).

THE INFORMATION CONTAINED HEREIN IS CONSIDERED "PROPRIETARY" TO BEL FUSE INC. AND SHALL NOT BE COPIED, REPRODUCED OR DISCLOSED WITHOUT THE WRITTEN APPROVAL OF BEL FUSE INC.

RoHS



SUGGESTED PANEL OPENING



NOTES:

THE DISTANCE OF PANEL INSIDE SURFACE RELATIVE TO FRONT SURFACE OF PART IS ONLY A SUGGESTION. IN CASE THIS DISTANCE IS DIFFERENT, THE REQUIRED PANEL OPENING DIMENSIONS CHANGE ACCORDINGLY.


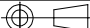
PACKING INFORMATION

PACKING TRAY : 0200-0148-48 (TOP)
0200-0148-49 (BOTTOM)

PACKING QUANTITY : 60 PCS FINISHED GOODS PER TRAY
8 TRAYS (480 PCS FINISHED GOODS) PER CARTON BOX

NOTE : CARDBOARDS ARE PLACED BETWEEN LAYERS OF PACKING TRAY INSIDE CARTON BOX
(INCLUDE THE UPPERMOST AND LOWERMOST TRAY)

REV. : B PAGE : 5

ORIGINATED BY ANTON LIAO DATE 2014-12-19	TITLE Passive Combo Connector 0820-1X1T-00-F	PART NO. / DRAWING NO. 08201X1T00-F	STANDARD DIM. TOL. IN INCH	[] METRIC DIM. AS REF.		
DRAWN BY JESSE LI DATE 2014-12-19		FILE NAME 08201X1T00-F_B.DWG	.X	/		UNIT : INCH [mm]
			.XX	/		SCALE : N/A
			.XXX	±0.004	 SIZE : A4	

0C002(2)120214

This document is electronically generated. This is a controlled copy if used internally

Please read our datasheet & drawing disclaimer [here](#).