

RoHS



RJ45

SCHEMATIC

PINS

- 350uH MIN. @ 0.1V, 100KHz, 8mA DC BIAS
- 350uH MIN. @ 0.1V, 100KHz, 8mA DC BIAS
- 350uH MIN. @ 0.1V, 100KHz, 8mA DC BIAS
- 350uH MIN. @ 0.1V, 100KHz, 8mA DC BIAS

2.0 TURNS RATIO:

- (P2-P3): (J1-J2)
- (P4-P5): (J3-J6)
- (P7-P8): (J4-J5)
- (P9-P10): (J7-J8)

3.0 RETURN LOSS: 100 OHM REF.

- 500kHz TO 40MHz
- 40MHz TO 100MHz
- 18dB MIN.
- 12+20LOG(f/80MHz) MIN.
- 1.2dB MAX.

4.0 INSERTION LOSS: RS=RL=100 OHMS

- 100kHz TO 100MHz
- 5.0 CROSS TALK: Ch1-Ch2, Ch1-Ch3, Ch1-Ch4, Ch2-Ch3, Ch2-Ch4, Ch3-Ch4
- 1MHz TO 30MHz
- 30MHz TO 80MHz
- 80MHz TO 100MHz

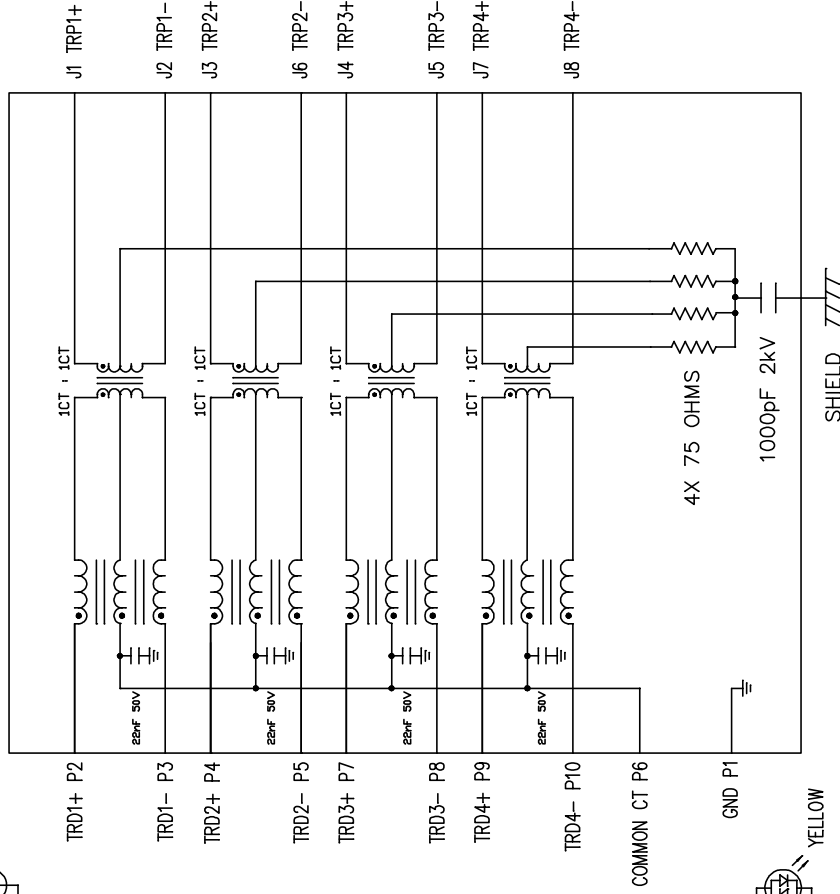
6.0 CM TO CM REJECTION:

- 100kHz TO 100MHz
- 7.0 CM TO DM REJECTION:
- 100kHz TO 100MHz
- 8.0 VOLTAGE WITHSTAND:

- (J1,J2) TO (P2,P3)
- (J3,J6) TO (P4,P5)
- (J4,J5) TO (P7,P8)
- (J7,J8) TO (P9,P10)
- 1500Vrms
- 1500Vrms
- 1500Vrms
- 1500Vrms

9.0 THIS COMPONENT IS A PATENT PRODUCT; US PATENT NUMBER 7,123,117.

10.0 OPERATING TEMPERATURE RANGE: 0°C TO +70°C



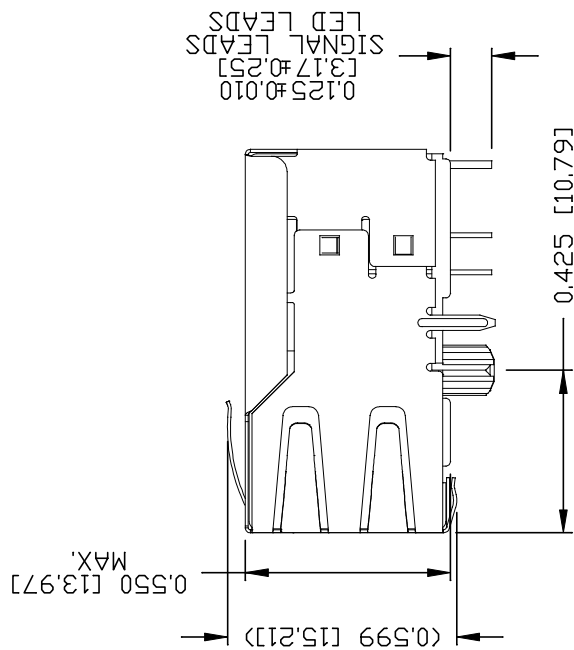
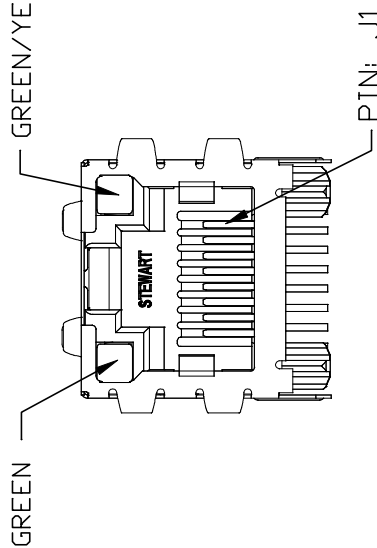
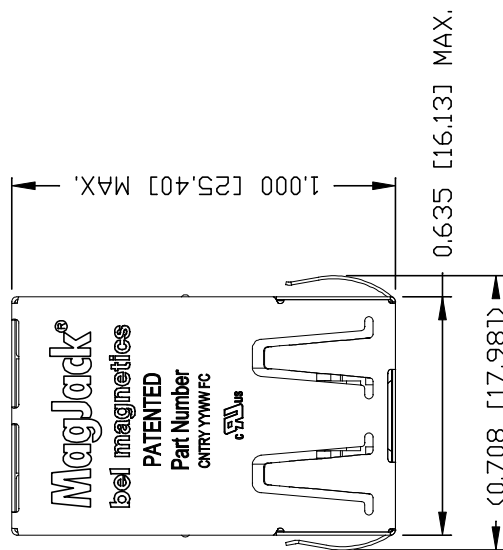
ORIGINATED BY CHOW WANCHUNG DATE 2019-12-18 DRAWN BY XIE YIMING DATE 2019-12-18 0002(2)120214	TITLE Gigabit MagJack® TAB UP, SHIELDED PATENTED		PART NO. / DRAWING NO. SI-51009-F	STANDARD DIM. TOL. IN INCH .X .XX .XXX	[] METRIC DIM. AS REF.
	FILE NAME SI-51009-F_B.DWG		UNIT : INCH [mm] SCALE : N/A SIZE : A4	REV. : B	PAGE : 2



a bel group


This document is electronically generated. This is a controlled copy if used internally

THE INFORMATION CONTAINED HEREIN IS CONSIDERED PROPRIETARY TO BEL FUSE INC. AND SHALL NOT BE COPIED, REPRODUCED OR DISCLOSED WITHOUT THE WRITTEN APPROVAL OF BEL FUSE INC.



NOTES:

- CONNECTOR MATERIALS:
HOUSING: THERMOPLASTIC UL94 V-0
CONTACT/SHIELD: COPPER ALLOY
SHIELD PLATING: NICKEL OR TIN
CONTACT PLATING: SELECTIVE GOLD,
50 MICRO-INCHES MIN. IN CONTACT AREA.
- PIN NOT ELECTRICALLY CONNECTED MAY BE OMITTED.
SEE ELECTRICAL DRAWING FOR OMITTED PINS.
- TOLERANCES COMPLY WITH F.C.C. DIMENSION REQUIREMENTS.
- THE PRODUCT IS RoHS COMPLIANT.
- UL** RECOGNIZED - FILE #E474585.
THE PRODUCT IS RECOMMENDED FOR WAVE SOLDERING PROCESS,
PEAK TEMPERATURE 260°C MAX. AND 10 SECONDS MAX..

REV. : B		PAGE : 3	
 bel a bel group		MAGNETIC SOLUTIONS	
ORIGINATED BY ANTON LIAD	TITLE Gigabit MagJack®	PART NO. / DRAWING NO. SI-51009-F	STANDARD DIM. TOL. IN INCH
DATE 2019-12-18	TAB UP, SHIELDED	FILE NAME SI-51009-F_B.DWG	[] METRIC DIM. AS REF.
DRAWN BY ANDY LIN	PATENTED		UNIT : INCH [mm]
DATE 2019-12-18			SCALE : N/A
302(2)120214			SIZE : A4

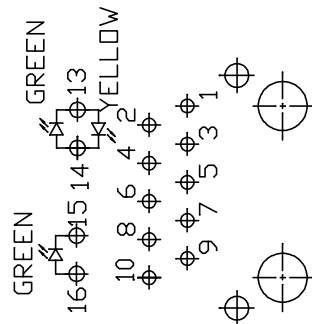
This document is electronically generated. This is a controlled copy if used internally



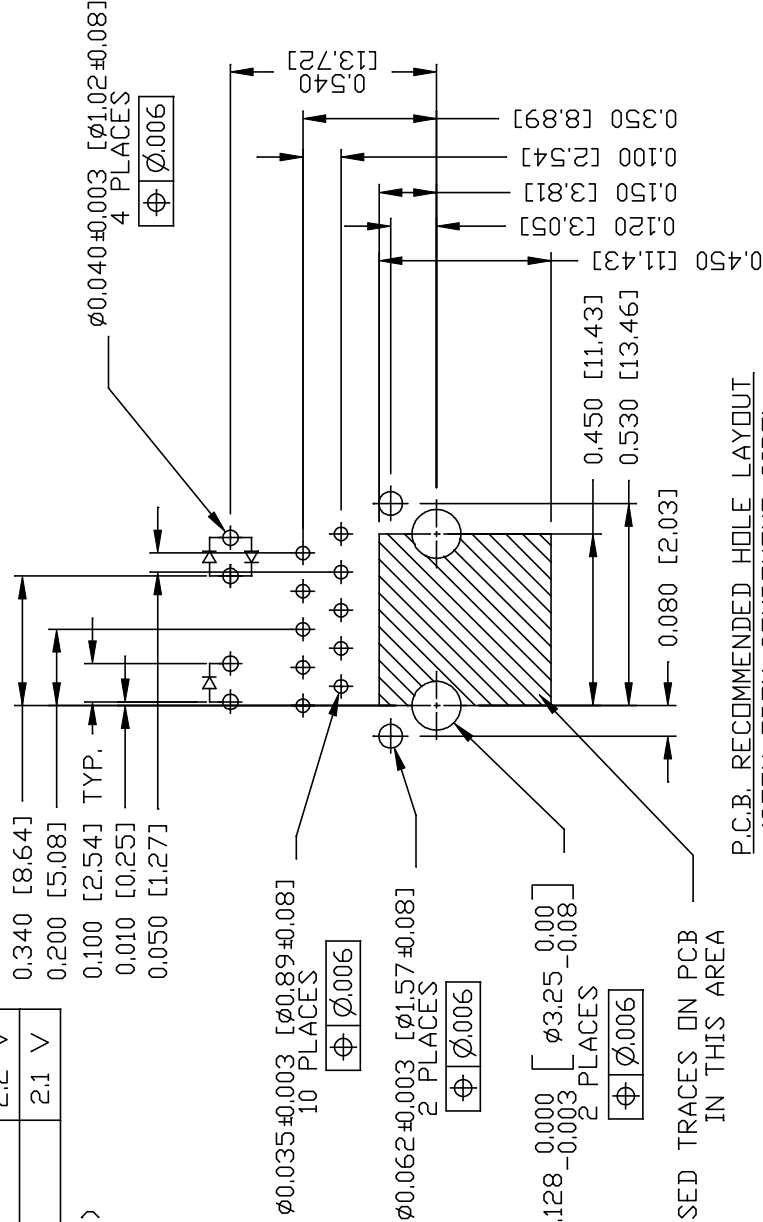
THE INFORMATION CONTAINED HEREIN IS CONSIDERED PROPRIETARY TO BEL FUSE INC. AND SHALL NOT BE COPIED, REPRODUCED OR DISCLOSED WITHOUT THE WRITTEN APPROVAL OF BEL FUSE INC.

LED SPECIFICATION		
LED COLOR	WAVELENGTH	FORWARD V (MAX) *(TYP)
GREEN	565 nm	2.5 V
YELLOW	590 nm	2.5 V

*WITH A FORWARD CURRENT OF 20 mA (TYP)



PIN-OUT INFORMATION
<SEEN FROM COMPONENT SIDE>



NO EXPOSED TRACES ON PCB IN THIS AREA

P.C.B. RECOMMENDED HOLE LAYOUT
<SEEN FROM COMPONENT SIDE>
ALL CENTERLINE DIMENSIONS ARE BASIC

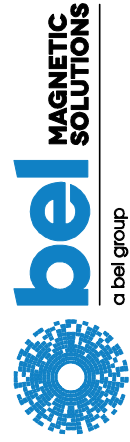
ORIGINATED BY
ANTON LIAD
DATE 2019-12-18
DRAWN BY
SANDY LIN
DATE 2019-12-18

TITLE
Gigabit MagJack®
TAB UP, SHIELDED
PATENTED

PART NO. / DRAWING NO.
SI-51009-F
FILE NAME
SI-51009-F_B.DWG

STANDARD DIM. TOL. IN INCH	[] METRIC DIM. AS REF.
.X	UNIT : INCH [mm]
.XX	SCALE : N/A
.XXX	SIZE : A4

REV. : B PAGE : 4



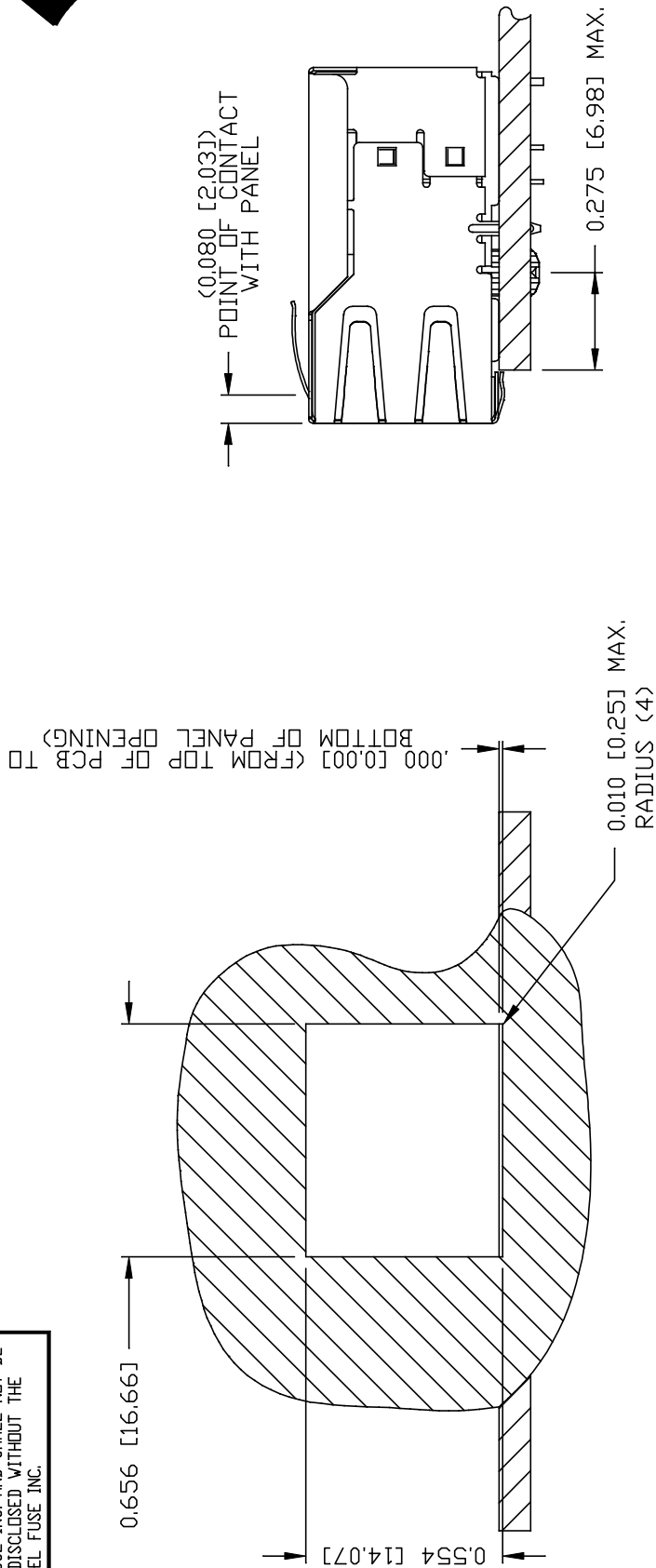
c bel group

This document is electronically generated. This is a controlled copy if used internally

002(2)120214




THE INFORMATION CONTAINED HEREIN IS CONSIDERED PROPRIETARY TO BEL FUSE INC. AND SHALL NOT BE COPIED, REPRODUCED OR DISCLOSED WITHOUT THE WRITTEN APPROVAL OF BEL FUSE INC.



NOTES:
 THE SUGGESTED PANEL OPENING IS INTENDED TO GIVE THE USER THE ABILITY TO HAVE REASONABLE JACK / PANEL CLEARANCES YET MAINTAIN RELIABLE GROUNDING CAPABILITY.

SUGGESTED PANEL OPENING

REV. : B PAGE : 5	
 a bel group	
ORIGINATED BY ANTON LIAD	PART NO. / DRAWING NO. SI-51009-F
DATE 2019-12-18	STANDARD DIM. TOL. IN INCH .X .XX .XXX
DRAWN BY SANDY LIN	[] METRIC DIM. AS REF. UNIT : INCH [mm] SCALE : N/A SIZE : A4
DATE 2019-12-18	FILE NAME SI-51009-F_B.DWG
TITLE Gigabit MagJack® TAB UP, SHIELDED PATENTED	

This document is electronically generated. This is a controlled copy if used internally