

THE INFORMATION CONTAINED HEREIN IS CONSIDERED PROPRIETARY TO BEL FUSE INC. AND SHALL NOT BE COPIED, REPRODUCED OR DISCLOSED WITHOUT THE WRITTEN APPROVAL OF BEL FUSE INC.

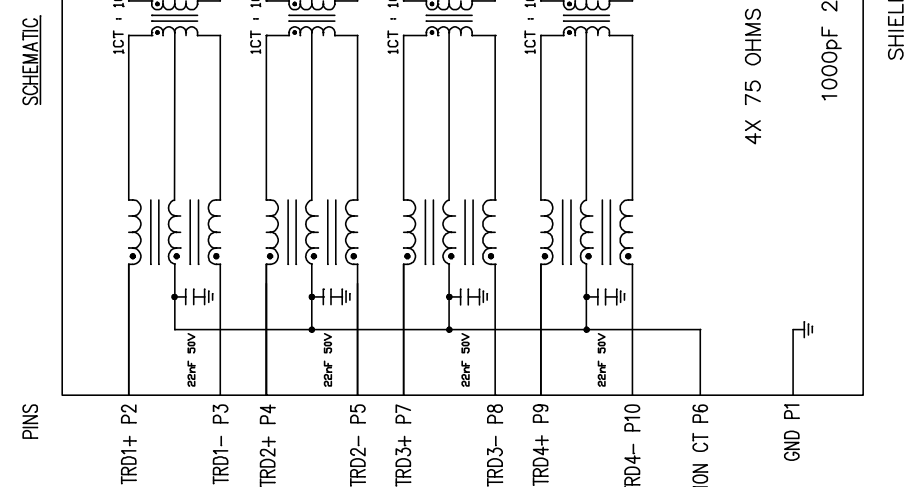
**bel**  
Product Specification No.  
SI-51005-F  
Issue A3 Page 3

RoHS



**ELECTRICAL CHARACTERISTICS @ 25°C**

- 1.0 INDUCTANCE:  
 (P2-P3) 350uH MIN. @ 0.1V, 100KHz, 8mA DC BIAS  
 (P4-P5) 350uH MIN. @ 0.1V, 100KHz, 8mA DC BIAS  
 (P7-P8) 350uH MIN. @ 0.1V, 100KHz, 8mA DC BIAS  
 (P9-P10) 350uH MIN. @ 0.1V, 100KHz, 8mA DC BIAS
- 2.0 TURNS RATIO:  
 (P2-P3): (J1-J2) 1CT : 1CT ± 2%  
 (P4-P5): (J3-J6) 1CT : 1CT ± 2%  
 (P7-P8): (J4-J5) 1CT : 1CT ± 2%  
 (P9-P10): (J7-J8) 1CT : 1CT ± 2%
- 3.0 RETURN LOSS: 100 OHM REF.  
 500kHz TO 40MHz -18dB MIN.  
 40MHz TO 100MHz -12+20LOG(f/80MHz) MIN.
- 4.0 INSERTION LOSS: RS=RL=100 OHMS  
 100kHz TO 100MHz -1.2dB MAX.
- 5.0 CROSS TALK: Ch1-Ch2, Ch1-Ch3, Ch1-Ch4, Ch2-Ch3, Ch2-Ch4, Ch3-Ch4  
 1MHz TO 30MHz -35dB MIN.  
 30MHz TO 80MHz -24dB MIN.  
 80MHz TO 100MHz -25dB MIN.
- 6.0 CM TO CM REJECTION:  
 100kHz TO 100MHz -30dB MIN.
- 7.0 CM TO DM REJECTION:  
 100kHz TO 100MHz -35dB MIN.
- 8.0 VOLTAGE WITHSTAND:  
 (J1,J2) TO (P2,P3) 1500Vrms  
 (J3,J6) TO (P4,P5) 1500Vrms  
 (J4,J5) TO (P7,P8) 1500Vrms  
 (J7,J8) TO (P9,P10) 1500Vrms
- 9.0 THIS COMPONENT IS A PATENT PRODUCT; US PATENT NUMBER 7,123,117.



ORIGINATED BY HOW WANCHUNG  
 DATE 2018-05-22  
 DRAWN BY YIE YIMING  
 DATE 2018-05-22

TITLE  
 MagJack®  
 10/100/1000 BT  
 TAB UP, SHIELDED  
 PATENTED

PART NO. / DRAWING NO. SI-51005-F  
 FILE NAME SI-51005-F\_A3.DWG

STANDARD DIM. [ ] METRIC DIM. AS REF.  
 TOL. IN INCH  
 .X  
 .XX  
 .XXX  
 UNIT : INCH [mm]  
 SCALE : N/A  
 SIZE : A4

REV. : A3 PAGE : 2

ci bel group

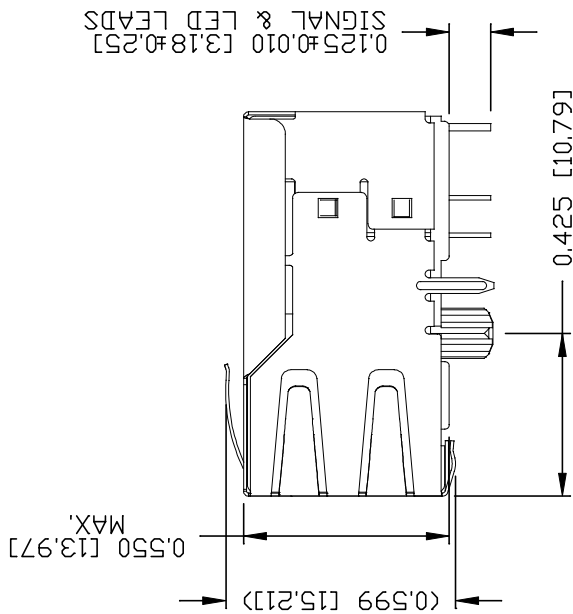
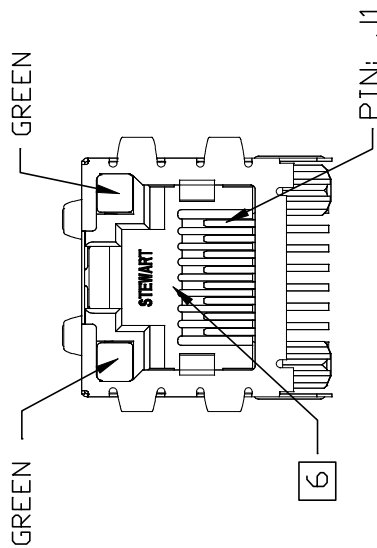
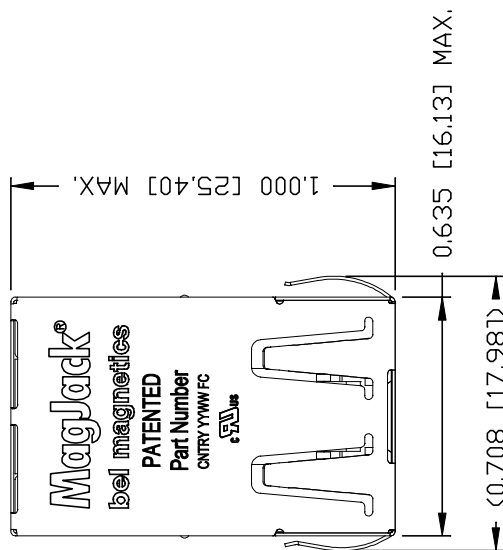
002(2)120214 This document is electronically generated. This is a controlled copy if used internally

ALL INFORMATION CONTAINED HEREIN IS CONSIDERED PROPRIETARY TO BEL FUSE, INC. AND SHALL NOT BE REPRODUCED OR DISCLOSED WITHOUT THE WRITTEN APPROVAL OF BEL FUSE, INC.



NOTES:

- CONNECTOR MATERIALS:  
HOUSING: THERMOPLASTIC UL94 V-0  
CONTACT/SHIELD: COPPER ALLOY  
SHIELD PLATING: NICKEL OR TIN  
CONTACT PLATING: SELECTIVE GOLD,  
50 MICRO-INCHES MIN. IN CONTACT AREA.
  - PIN NOT ELECTRICALLY CONNECTED MAYBE OMITTED.  
SEE ELECTRICAL DRAWING FOR OMITTED PINS.
  - TOLERANCES COMPLY WITH F.C.C. DIMENSION REQUIREMENTS.
  - THE PRODUCT IS ROHS COMPLIANT.
- UL** RECOGNIZED - FILE #E474585.  
THE PRODUCT IS RECOMMENDED FOR WAVE SOLDERING PROCESS,  
PEAK TEMPERATURE 260°C MAX. AND 10 SECONDS MAX..



**bel**  
Product Specification No.  
SI-51005-F  
Issue A3 Page 4

ORIGINATED BY  
ANTON LIAO  
DATE 2018-05-22  
DRAWN BY  
ANDY LIN  
DATE 2018-05-22

TITLE  
MagJack®  
10/100/1000 BT  
TAB UP, SHIELDED  
PATENTED

PART NO. / DRAWING NO.  
SI-51005-F  
FILE NAME  
SI-51005-F\_A3.DWG

STANDARD DIM. TOL. IN INCH	[ ] METRIC DIM. AS REF.
.X	UNIT : INCH [mm]
.XX	SCALE : N/A
.XXX	SIZE : A4

REV. : A3 PAGE : 3

a bel group

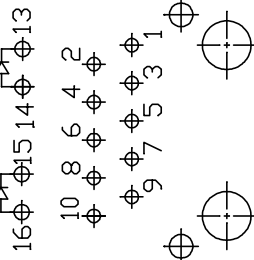
This document is electronically generated. This is a controlled copy if used internally

THE INFORMATION CONTAINED HEREIN IS CONSIDERED PROPRIETARY TO BEL FUSE INC. AND SHALL NOT BE COPIED, REPRODUCED OR DISCLOSED WITHOUT THE WRITTEN APPROVAL OF BEL FUSE INC.

LED SPECIFICATION		
LED COLOR	WAVELENGTH	FORWARD V (MAX) *(TYP)
GREEN	565 nm	2.5 V
		2.2 V

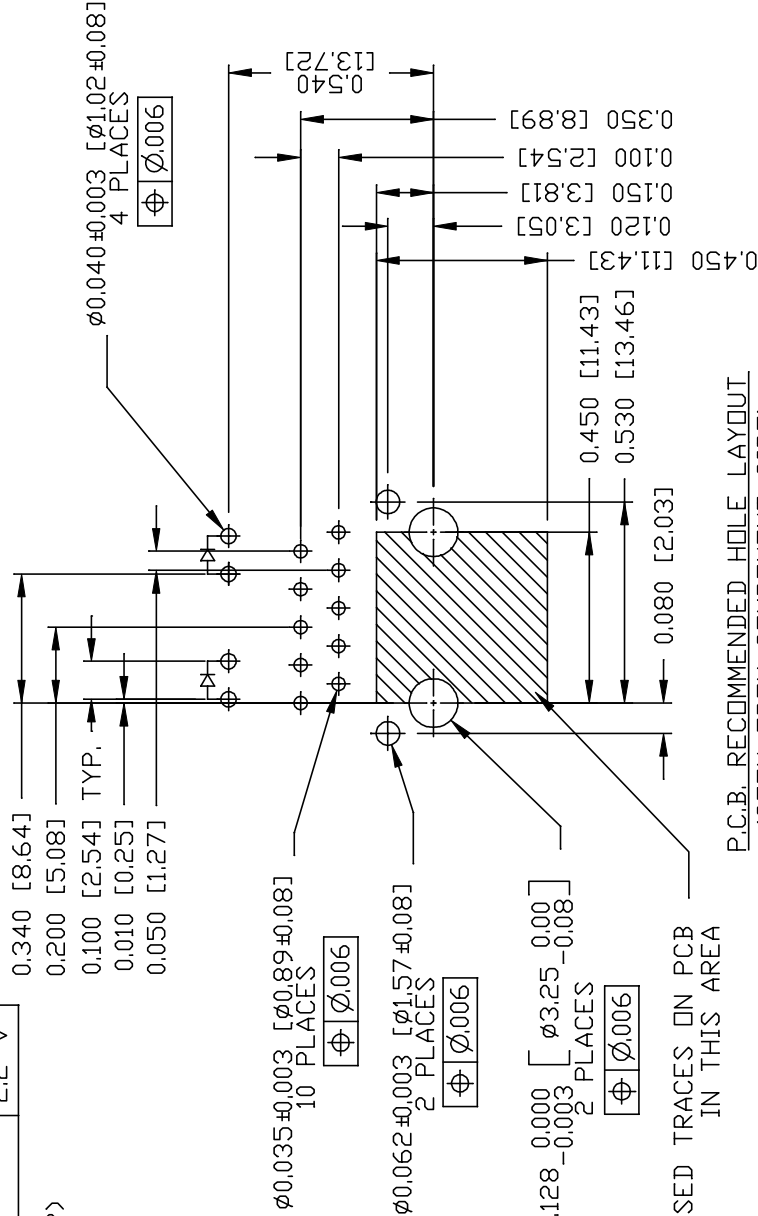
\* WITH A FORWARD CURRENT OF 20 mA (TYP)

GREEN GREEN



PIN-OUT INFORMATION  
(SEEN FROM COMPONENT SIDE)

**bel**  
Product Specification No.  
SI-51005-F  
Issue A3 Page 5



P.C.B. RECOMMENDED HOLE LAYOUT  
(SEEN FROM COMPONENT SIDE)  
ALL CENTERLINE DIMENSIONS ARE BASIC

ORIGINATED BY  
ANTON LIAD  
DATE 2018-05-22  
DRAWN BY  
SANDY LIN  
DATE 2018-05-22

TITLE  
MagJack®  
10/100/1000 BT  
TAB UP, SHIELDED  
PATENTED

PART NO. / DRAWING NO.  
SI-51005-F  
FILE NAME  
SI-51005-F\_A3.DWG

STANDARD DIM.	[ ] METRIC DIM.
TOL. IN INCH	AS REF.
.X	
.XX	UNIT : INCH [mm]
.XXX	SCALE : N/A
±0.005	SIZE : A4

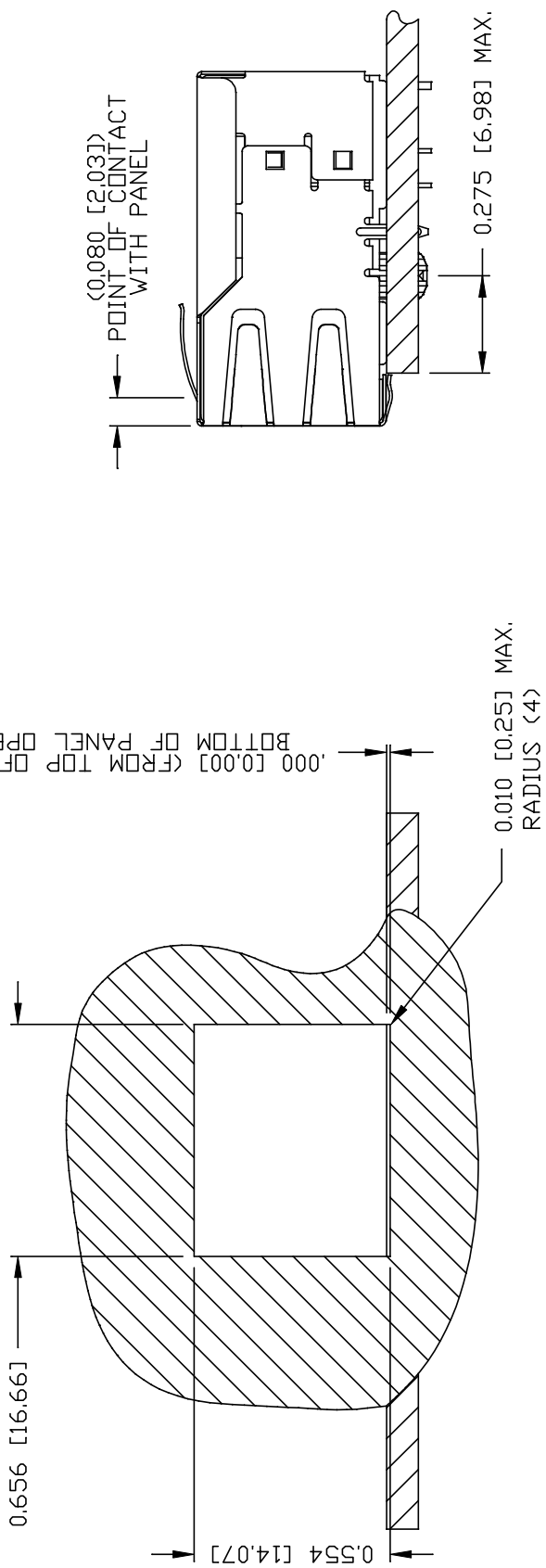
REV. : A3 PAGE : 4

MAGNETIC SOLUTIONS  
a bel group

This document is electronically generated. This is a controlled copy if used internally

THE INFORMATION CONTAINED HEREIN IS CONSIDERED PROPRIETARY TO BEL FUSE INC. AND SHALL NOT BE COPIED, REPRODUCED OR DISCLOSED WITHOUT THE WRITTEN APPROVAL OF BEL FUSE INC.

RoHS



NOTES:  
 THE SUGGESTED PANEL OPENING IS INTENDED TO GIVE THE USER THE ABILITY TO HAVE REASONABLE JACK / PANEL CLEARANCES YET MAINTAIN RELIABLE GROUNDING CAPABILITY.

SUGGESTED PANEL OPENING



ORIGINATED BY ANTON LIAD DATE 2018-05-22		TITLE MagJack® 10/100/1000 BT TAB UP, SHIELDED PATENTED		PART NO. / DRAWING NO. SI-51005-F		STANDARD DIM. TOL. IN INCH		[ ] METRIC DIM. AS REF.		REV. : A3	PAGE : 5
DRAWN BY SANDY LIN DATE 2018-05-22		FILE NAME SI-51005-F_A3.DWG		UNIT : INCH [mm] SCALE : N/A		.X .XX .XXX		SIZE : A4		bel a bel group	

This document is electronically generated. This is a controlled copy if used internally