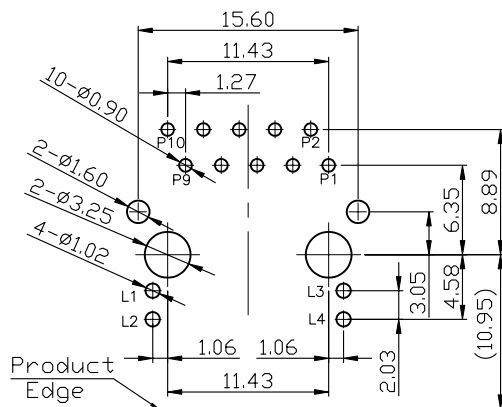
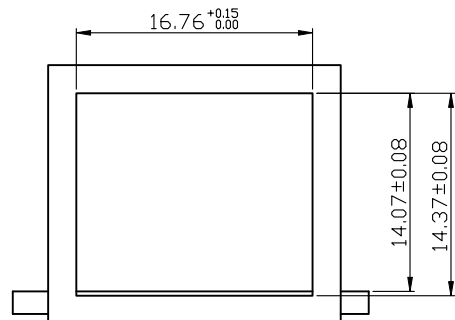
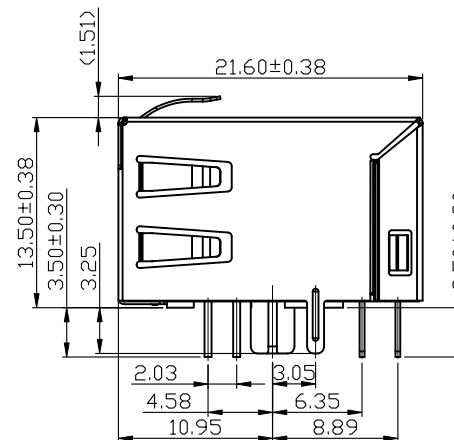
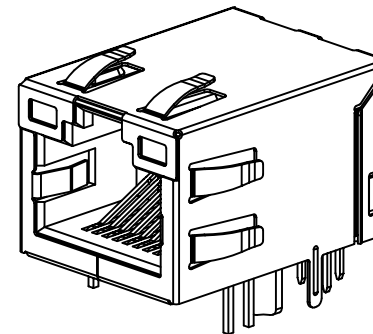
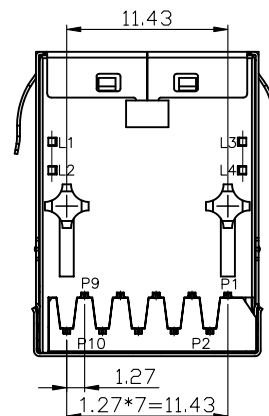
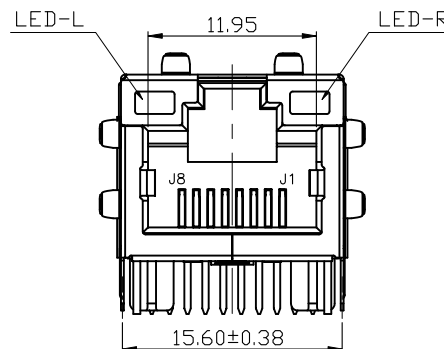
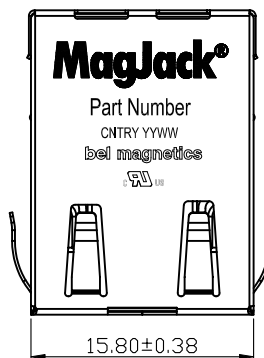


THE INFORMATION CONTAINED HEREIN IS CONSIDERED "PROPRIETARY" TO BEL FUSE INC. AND SHALL NOT BE COPIED, REPRODUCED OR DISCLOSED WITHOUT THE WRITTEN APPROVAL OF BEL FUSE INC.

RoHS



Recommended PCB Layout  
(Tol: ±0.05, T=1.60±0.15mm)



NOTE:

1. MATERIAL:
  - 1.1 HOUSING: LCP UL94V-0 BLACK
  - 1.2 INSULATOR: LCP UL94V-0 BLACK
  - 1.3 RJ CONTACT: PHOSPHOR BRONZE ,THICKNESS:0.30mm
  - 1.4 SOLDER LEAD: BRASS C2680,THICKNESS:0.35mm
  - 1.5 SHIELD: SUS304 THICKNESS:0.20mm
2. FINISH:
  - 2.1 RJ CONTACT: 30u" GOLD MIN. PLATED ON CONTACT AREA ; 100u" Tin MIN. PLATED ON SOLDER TAIL AREA; UNDERPLATING 50u" Ni MIN. OVERALL
  - 2.2 SOLDER LEAD:100u" Tin MIN. PLATED over 50u" Ni MIN. OVERALL
  - 2.3 SHELL: 50u" MIN. Ni PLATED OVERALL

P01-1CB0-01

PART NUMBER

<b>DRAWN</b>	2024-04-01
TOWER YU / FRANK LIU	
<b>CHECKED</b>	2024-04-01
BILL LIU	
<b>APPROVED</b>	2024-04-01
TONY YUAN	

<b>TITLE</b>	Gigabit MagJack® (WITHT LED) PATENTED
--------------	---

<b>DRAWING NO.</b>	P01-1CB0
<b>FILE NAME</b>	P01-1CB0_1.DWG

<b>UNLESS OTHERWISE NOTED, TOL:</b>			
<b>X.</b>	±0.38	<b>SIZE:</b>	A4
<b>.X</b>	±0.38	<b>UNIT:</b>	mm
<b>.XX</b>	±0.25	<b>SCALE:</b>	N/A
<b>.XXX</b>	±0.13	<b>PAGE:</b> 1/3	<b>REV.:</b> 1



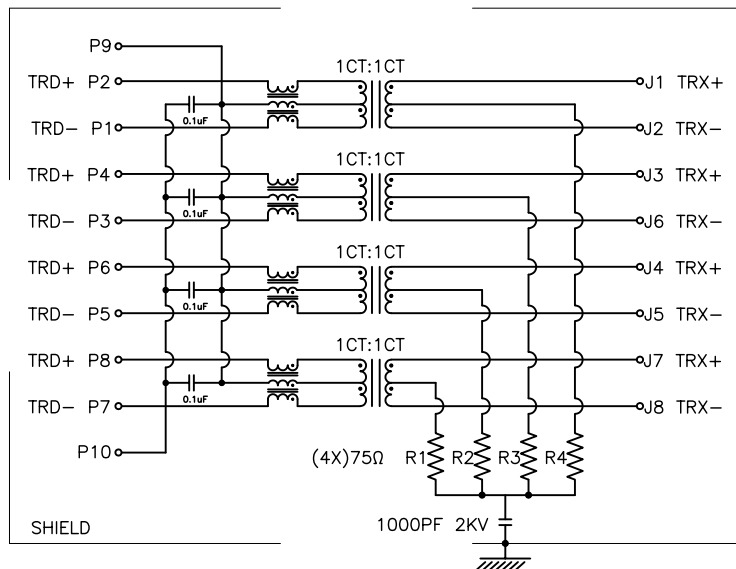
a bel group

THE INFORMATION CONTAINED HEREIN IS CONSIDERED "PROPRIETARY" TO BEL FUSE INC. AND SHALL NOT BE COPIED, REPRODUCED OR DISCLOSED WITHOUT THE WRITTEN APPROVAL OF BEL FUSE INC.

RoHS

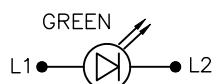


SCHEMATICS

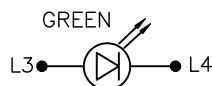


SPECIFICATIONS:

- 1.1G BASE-T Ethernet Application;
- 2.Meets IEEE 802.3 & ANSI X 3.263 Standards;
- 3.IR Reflow Soldering Temperature:260°C±5°C;
- 4.Operation Temperature: -40°C to +85°C;  
Storage Temperature: -40°C to +85°C;
- 5.Insertion Force With The Latch Depressed: 22N Max.;  
Removal Force With The Latch Depressed: 44N Max.;  
Durability: 750 Cycles;
- 6.Transmitter Filter & Receiver Filter:  
Insertion Loss: 0.5~100MHz -1.1dB Max.;  
Return Loss: 0.5~40MHz -18dB Min. ;  
40~100MHz 12-20\*LOG(f/80)dB Min. ;
- 7.Cross Talk: 0.5~40 MHz -35dB Min.;  
40~100MHz 33-20\*LOG(f/50)dB Min. ;
- 8.Comm Mode Rejection: @0.5~100 MHz -30dB Min.;
- 9.Inductance: @100 KHz, 0.1V, 8mA DC BIAS, 350uH Min.;
- 10.HiPot Test:  
Input To Output: 2250V Dc @60S;



LED-L



LED-R

STANDARD LED COLOR	WAVELENGTH	FORWARD(A)	FORWARD(V)
GREEN	565nm	20mA	1.7~2.6V
YELLOW	585nm	20mA	1.7~2.6V

<b>DRAWN</b>	2024-04-01
TOWER YU / FRANK LIU	
<b>CHECKED</b>	2024-04-01
BILL LIU	
<b>APPROVED</b>	2024-04-01
TONY YUAN	

<b>TITLE</b>	Gigabit MagJack® (WITHT LED) PATENTED
--------------	---

<b>DRAWING NO.</b>	P01-1CB0
<b>FILE NAME</b>	P01-1CB0_1.DWG

<b>UNLESS OTHERWISE NOTED, TOL:</b>			
<b>.X</b>		<b>SIZE:</b>	A4
<b>.X</b>		<b>UNIT:</b>	mm
<b>.XX</b>		<b>SCALE:</b>	N/A
<b>.XXX</b>		<b>PAGE:</b> 2/3	<b>REV.:</b> 1



THE INFORMATION CONTAINED HEREIN IS CONSIDERED "PROPRIETARY" TO BEL FUSE INC. AND SHALL NOT BE COPIED, REPRODUCED OR DISCLOSED WITHOUT THE WRITTEN APPROVAL OF BEL FUSE INC.

RoHS



CHANGE HISTORY

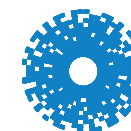
ISSUE	DATE	DESCRIPTIN OF CHANGE	REASON	DRAWN	APPROVAL	ECN#
1	01ARP2024	-	INITIAL RELEASE	TOWER YU	TONY YUAN	-

<b>DRAWN</b>	2024-04-01
TOWER YU / FRANK LIU	
<b>CHECKED</b>	2024-04-01
BILL LIU	
<b>APPROVED</b>	2024-04-01
TONY YUAN	

<b>TITLE</b>	Gigabit MagJack® (WITHT LED) PATENTED
--------------	---

<b>DRAWING NO.</b>	P01-1CB0
<b>FILE NAME</b>	P01-1CB0_1.DWG

<b>UNLESS OTHERWISE NOTED, TOL:</b>			
X.		<b>SIZE:</b>	A4
.X		<b>UNIT:</b>	mm
.XX		<b>SCALE:</b>	N/A
.XXX		<b>PAGE:</b> 3/3	<b>REV.:</b> 1



**bel** MAGNETIC SOLUTIONS  
a bel group