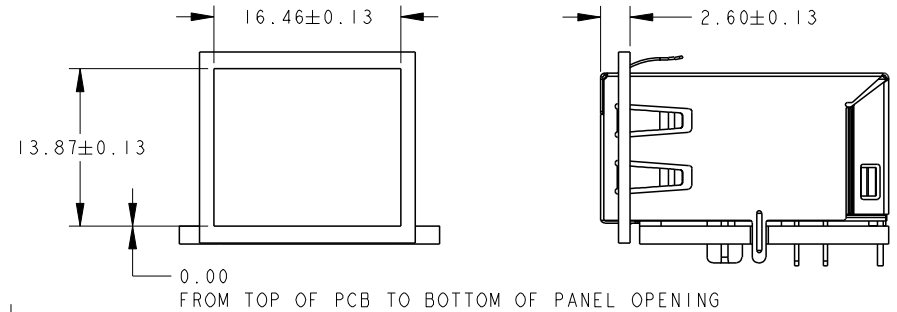
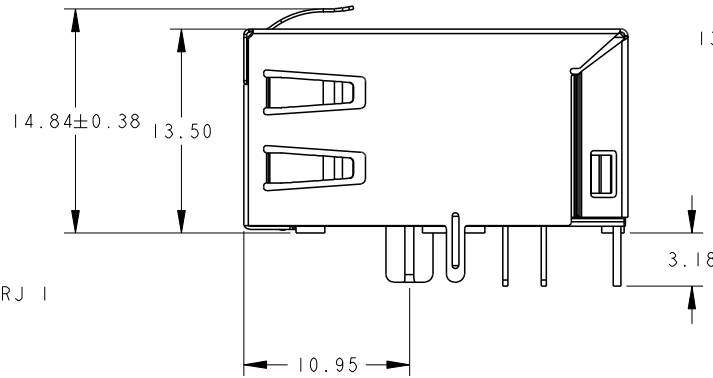
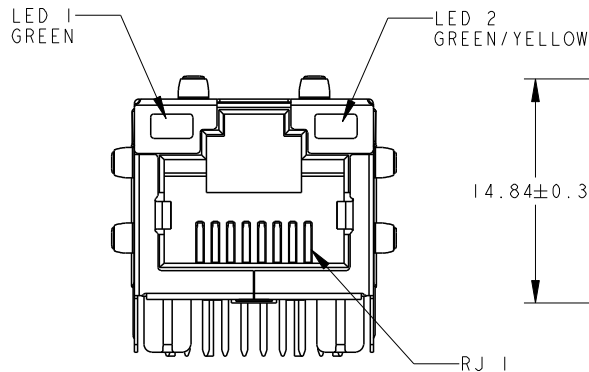
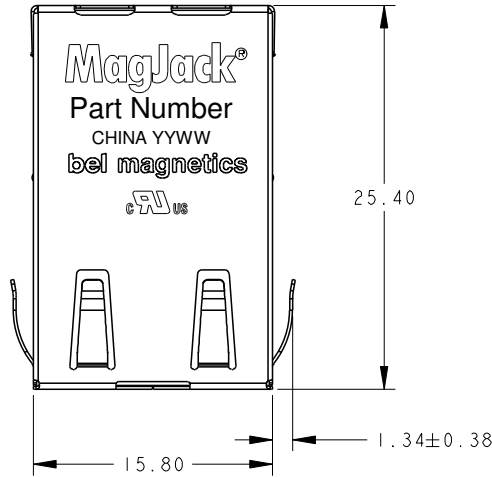




THE INFORMATION CONTAINED HEREIN IS CONSIDERED "PROPRIETARY" TO BEL FUSE INC. AND SHALL NOT BE COPIED, REPRODUCED OR DISCLOSED WITHOUT THE WRITTEN APPROVAL OF BEL FUSE INC.

NOTE:

- CONNECTOR MATERIALS:
 HOUSING: THERMOPLASTIC UL94 V-0
 CONTACT: COPPER ALLOY
 SHIELD: STAINLESS STEEL, SUS304, 1.27um NICKEL PLATING, TIN DIPPING ON GROUND PINS
 CONTACT PLATING: 1.27um MIN. OVERALL NICKEL UNDERPLATE AND SELECTIVE 1.27um HARD GOLD PLATING AT MATING AREA
- RJ45 JACK CAVITY CONFORMS TO FCC RULES AND REGULATIONS PART 68 SUB PART F.
- THE PRODUCT IS RoHS COMPLIANT.
- THE PART IS RECOMMENDED FOR IR REFLOW:
 FOR IR REFLOW, THE SUGGESTED PEAK IR REFLOW CONDITION IS 245°C MAX AND 30 SECONDS MAX.



SUGGESTED PANEL OPENING

NOTES:

THE SUGGESTED PANEL OPENING IS INTENDED TO GIVE THE USER THE ABILITY TO HAVE REASONABLE JACK / PANEL CLEARANCES YET MAINTAIN RELIABLE GROUNDING CAPABILITY.

GREEN	GREEN	P01-0005-02
GREEN	GRN/YEL	P01-0005-01
LED 1	LED 2	PART NUMBER

DRAWN	2023-11-15
TOWER YU / FRANK LIU	
CHECKED	2023-11-15
BILL LIU	
APPROVED	2023-11-15
TONY YUAN	

TITLE	IXI GIGABIT MAGJACK TAB UP, SHIELDED W/LEDS
--------------	---

DRAWING NO.	P01-0005
FILE NAME	P01-0005.DRW

UNLESS OTHERWISE NOTED, DIM. TOL.:			
X.	±0.25	SIZE:	A4
.X	±0.25	UNIT:	mm
.XX	±0.25	SCALE:	NA
.XXX	±0.25	PAGE:	1 / 4
		REV.:	1



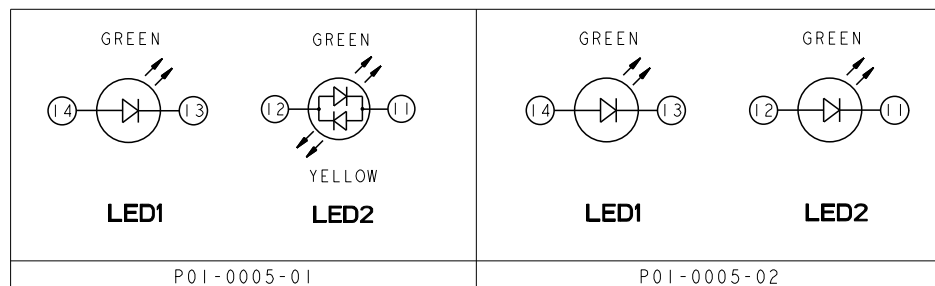


1. MAGNETICS

- APPLICATION: 10/100/1000 BASE-T
- IMPEDANCE: 100 OHMS
- TURNS RATIO (CHIP:CABLE): 1:1 ALL FOUR PAIRS
- OPEN CIRCUIT INDUCTANCE (OCL): 350uH MIN @100kHz, 0.1VRMS, 8mADC BIAS FROM 0°C TO 70°C, ALL FOUR PAIRS
- ALL FOUR PAIRS BI-DIRECTIONAL
- PERFORMANCE @ 25°C:
 - INSERTION LOSS (IL): 1.1dB MAX FROM 0.5MHz TO 100MHz
 - RETURN LOSS (RL): 18dB MIN FROM 0.5MHz TO 40MHz
 - 12-20LOG(f/80)dB MIN FROM 40.1MHz TO 100MHz
 - CROSSTALK ATTENUATION: 35dB MIN FROM 0.5MHz TO 40MHz
 - 33-20LOG(f/50)dB MIN FROM 40.1MHz TO 100MHz
 - COMMON MODE REJECTION RATIO (CMRR): 30dB MIN FROM 0.5MHz TO 100MHz
- ISOLATION VOLTAGE: 2250VDC (MAX) FOR 60 SECONDS WITH A RISE TIME OF 500V/SEC

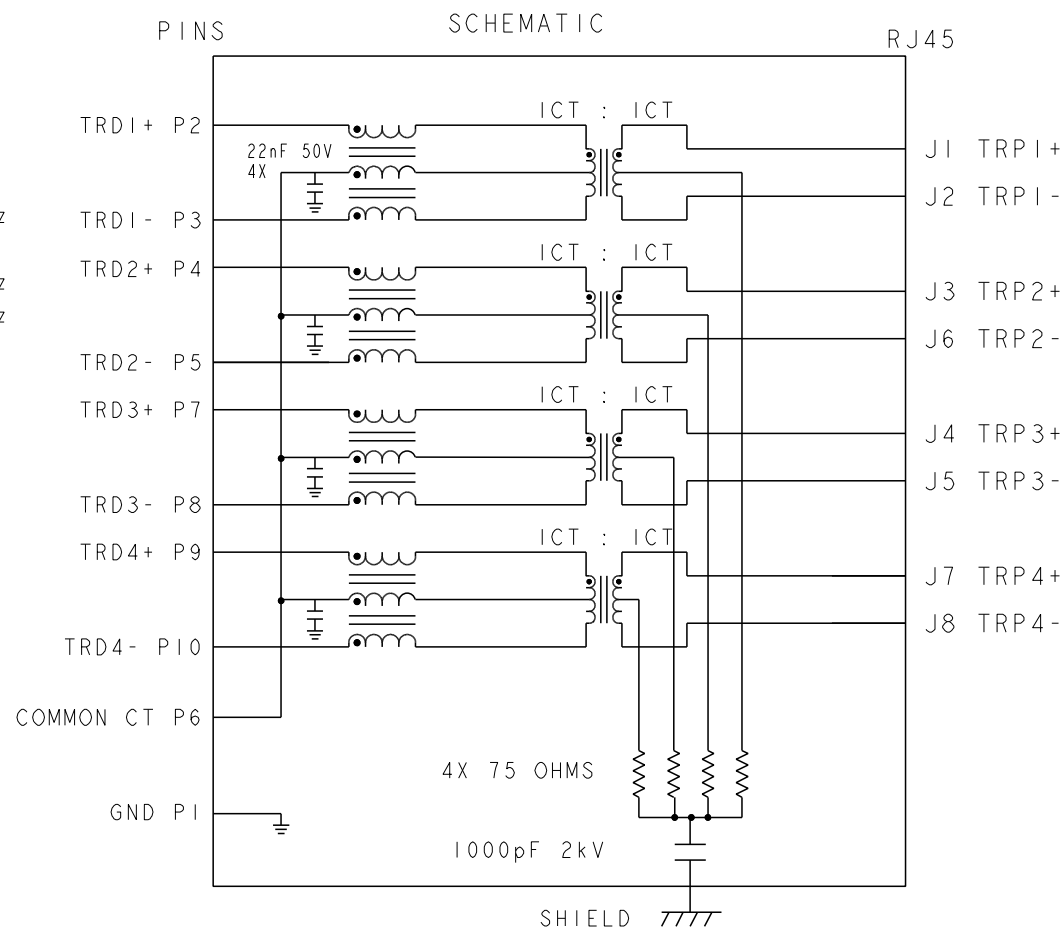
2. OPERATING TEMPERATURE: FROM 0°C TO 70°C

LED POLARITY DETAIL



LED SPECIFICATION			
STANDARD LED	WAVELENGTH	Forward V (MAX)	*(TYP)
GREEN	568 nm	2.5 V	2.2 V
YELLOW	588 nm	2.5 V	2.1 V

*WITH A FORWARD CURRENT OF 20 mA (TYP)



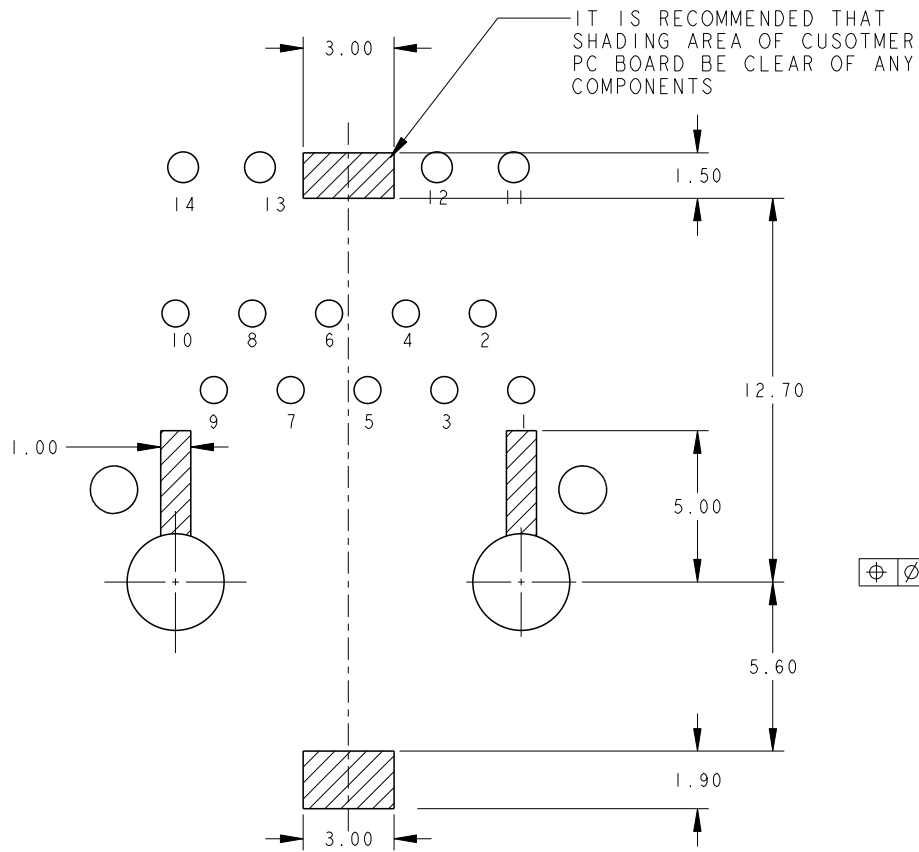
DRAWN	2023-11-15
TOWER YU / FRANK LIU	
CHECKED	2023-11-15
BILL LIU	
APPROVED	2023-11-15
TONY YUAN	

TITLE	IXI GIGABIT MAGJACK TAB UP, SHIELDED W/LEDS
--------------	---

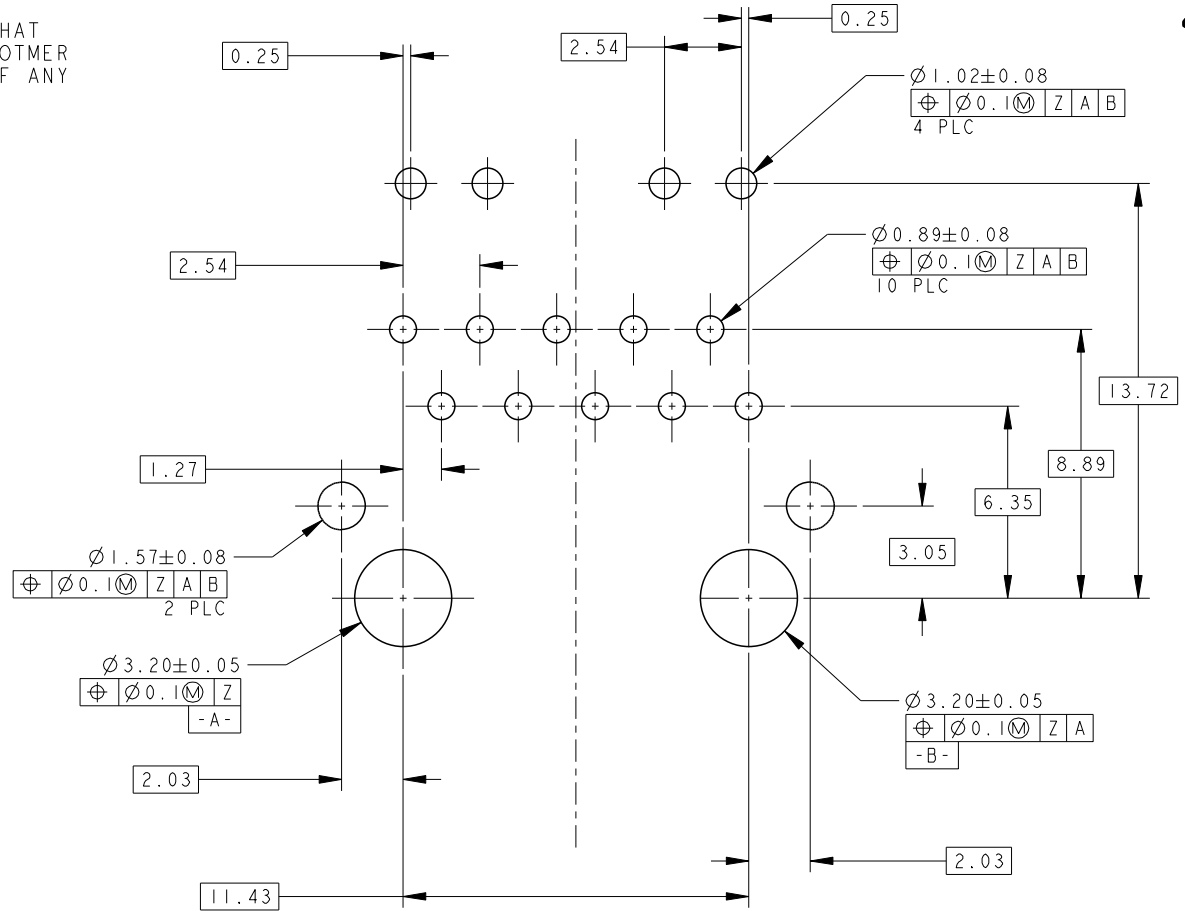
DRAWING NO.	P01-0005
FILE NAME	P01-0005.DRW

UNLESS OTHERWISE NOTED, DIM. TOL.:			
.X	±0.25	SIZE:	A4
.X	±0.25	UNIT:	mm
.XX	±0.25	SCALE:	NA
.XXX	±0.25	PAGE:	2 / 4
		REV.:	1





PCB RECOMMENDED KEEP OUT AREA
(SEEN FROM COMPONENT SIDE)
TOLERANCE : ± 0.08



PCB RECOMMENDED HOLE LAYOUT
(SEEN FROM COMPONENT SIDE)



DRAWN	2023-11-15
TOWER YU / FRANK LIU	
CHECKED	2023-11-15
BILL LIU	
APPROVED	2023-11-15
TONY YUAN	

TITLE	IXI GIGABIT MAGJACK TAB UP, SHIELDED W/LEDS
--------------	---

DRAWING NO.	P01-0005
FILE NAME	P01-0005.DRW

UNLESS OTHERWISE NOTED, DIM. TOL. :			
X.	± 0.25	SIZE :	A4
.X	± 0.25	UNIT :	mm
.XX	± 0.25	SCALE :	NA
.XXX	± 0.25	PAGE :	3 / 4
		REV. :	1

bel MAGNETIC SOLUTIONS
a bel group



THE INFORMATION CONTAINED HEREIN IS CONSIDERED "PROPRIETARY" TO BEL FUSE INC. AND SHALL NOT BE COPIED, REPRODUCED OR DISCLOSED WITHOUT THE WRITTEN APPROVAL OF BEL FUSE INC.

CHANGE HISTORY						
ISSUE	DATE	DESCRIPTION OF CHANGE	REASON	DRAWN	APPROVAL	ECN#
1	2023-11-15	INITIAL RELEASE	-	TOWER YU	TONY YUAN	-

DRAWN	2023-11-15
TOWER YU / FRANK LIU	
CHECKED	2023-11-15
BILL LIU	
APPROVED	2023-11-15
TONY YUAN	

TITLE	IXI GIGABIT MAGJACK TAB UP, SHIELDED W/LEDS
--------------	---

DRAWING NO.	P01-0005
FILE NAME	P01-0005.DRW

UNLESS OTHERWISE NOTED, DIM. TOL. :			
X.	±0.25	SIZE :	A4
.X	±0.25	UNIT :	mm
.XX	±0.25	SCALE :	NA
.XXX	±0.25	PAGE :	4 / 4
		REV. :	1



bel MAGNETIC SOLUTIONS
a bel group