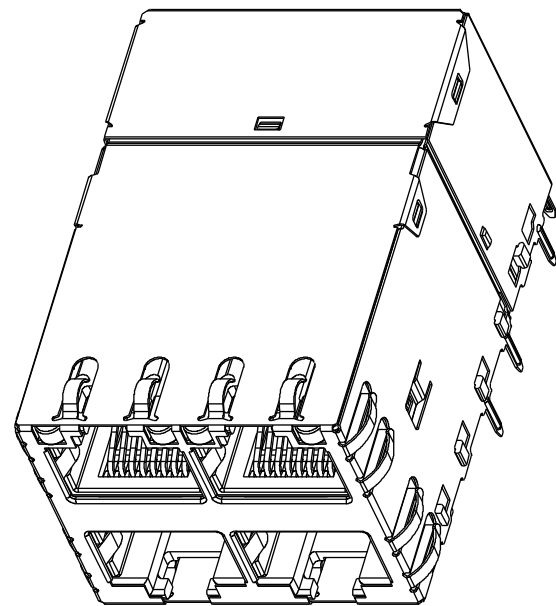


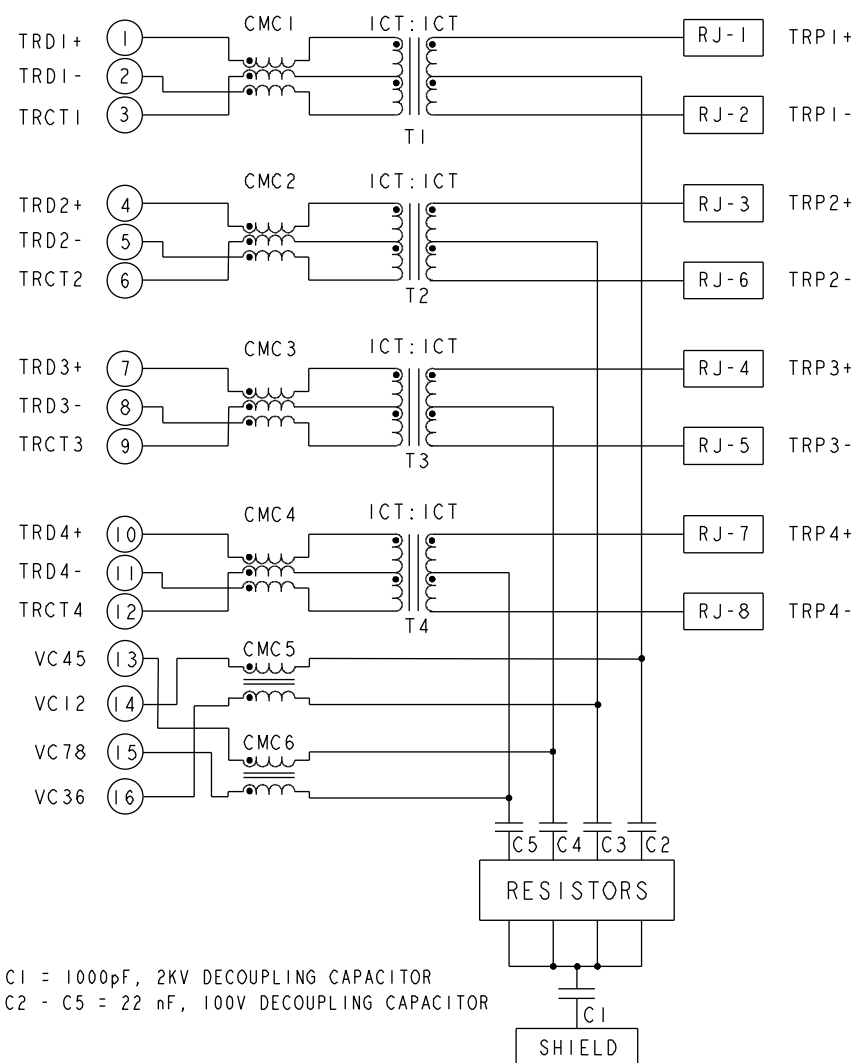
THIS DRAWING AND THE SUBJECT MATTER SHOWN THEREON ARE CONFIDENTIAL AND THE PROPERTY OF BEL/STEWART/TRP CONNECTOR AND SHALL NOT BE REPRODUCED, COPIED, OR USED IN ANY MANNER WITHOUT THE WRITTEN CONSENT OF TRP CONNECTOR.

PRODUCT MAY BE PROTECTED BY ONE OR MORE OF THE FOLLOWING US PATENTS:
 5736910 5939955 6425781 6428361 6554638 6840817 7123117
 7429195 7717749 7808751 6217391 6149050 7924130

REVISIONS			
#	DATE	DESCRIPTION	BY
2	25AUG2020	SEE LAST SHEET	CZ TY



S9UTG02ET 10 GIGABIT 4PPOE CIRCUIT



C1 = 1000pF, 2KV DECOUPLING CAPACITOR
 C2 - C5 = 22 nF, 100V DECOUPLING CAPACITOR

1 MATERIALS
 HOUSING: THERMOPLASTIC, BLACK, FLAMMABILITY RATING UL 94V-0
 SHIELD: COPPER BASE ALLOY, PREPLATED WITH MIN 0.76um SEMI-BRIGHT NICKEL, OR 0.20mm THICK STAINLESS STEEL
 CONTACT: PHOSPHOR BRONZE, WITH 1.27um MIN OVERALL NICKEL UNDERPLATE AND SELECTIVE 1.27um MIN GOLD PLATING AT MATING INTERFACE.
 LED: DIFFUSED EPOXY LENS, CARBON STEEL LEAD FRAME TAILS OF LED ARE PREPLATED WITH 2.03um MIN SILVER OVER 1.02um MIN NICKEL UNDERPLATE OVER 1.02um MIN COPPER UNDERPLATE. POST-PLATED WITH 2.54um MIN MATTE TIN AND/OR SAC SOLDER DIP OR PURE TIN SOLDER DIP.

2 MAGNETICS
 - APPLICATION: 1G/10G BASE-T
 - IMPEDANCE: 100 OHMS
 - TURNS RATIO (CHIP:CABLE): 1:1 ALL FOUR PAIRS
 - OPEN CIRCUIT INDUCTANCE (OCL): 120uH MIN @23mA, 100kHz, 0.1VRMS ALL FOUR PAIRS
 - ALL FOUR PAIRS BI-DIRECTIONAL
 - PoE CURRENT: 1A DC MAX
 - PERFORMANCE @ 25°C (WHERE f IS FREQUENCY IN MHZ)
 (a) INSERTION LOSS (IL):
 1 MHz TO 400 MHz -0.5-1.3*(f-1)/400 dB MIN
 (b) RETURN LOSS (RL):
 1 MHz TO 100 MHz -18 dB MAX
 100 MHz TO 500 MHz -18 + 20.75LOG10(f/100) dB MAX
 (c) CROSSTALK ATTENUATION:
 1 MHz TO 500 MHz -20 dB MAX
 (d) COMMON MODE REJECTION:
 1 MHz TO 500 MHz -16 dB MAX
 - ISOLATION VOLTAGE: 2250VDC(MAX) FOR 60 SECONDS WITH A RISE TIME OF 500V/SEC, WITH ALL PORTS CONNECTED.

3 THE MAGNETIC CIRCUIT ON ALL FOUR CHANNELS IS SYMMETRICAL AND SUPPORTS AUTO-MDIX OPERATION.

4. OPERATING TEMPERATURE: -40°C TO +85°C.

5 DATUM Y AND BASIC DIMENSION ESTABLISHED BY CUSTOMER.

6 RJ45 CAVITY CONFORMS TO FCC RULES AND REGULATION PART 68 SUBPART F.

7 TRP CONNECTOR LOGO, PART NUMBER, DATE CODE, COUNTRY OF ORIGIN, AGENCY APPROVAL MARKING IN APPROPRIATE LOCATION SHOWN.
 DATE CODE: YYWW WHERE "YY" IS YEAR, "WW" IS WORK WEEK, "D" IS DAY OF WEEK, WITH SUNDAY= 1

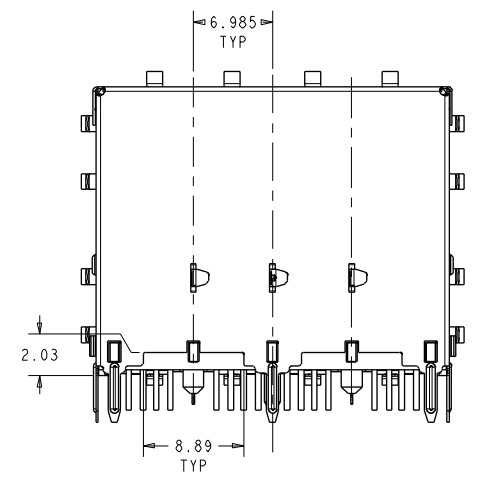
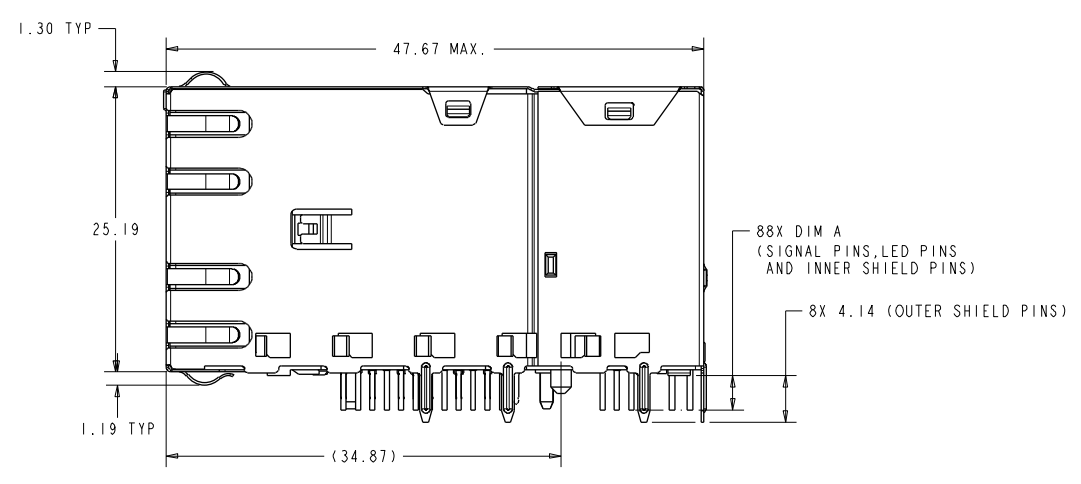
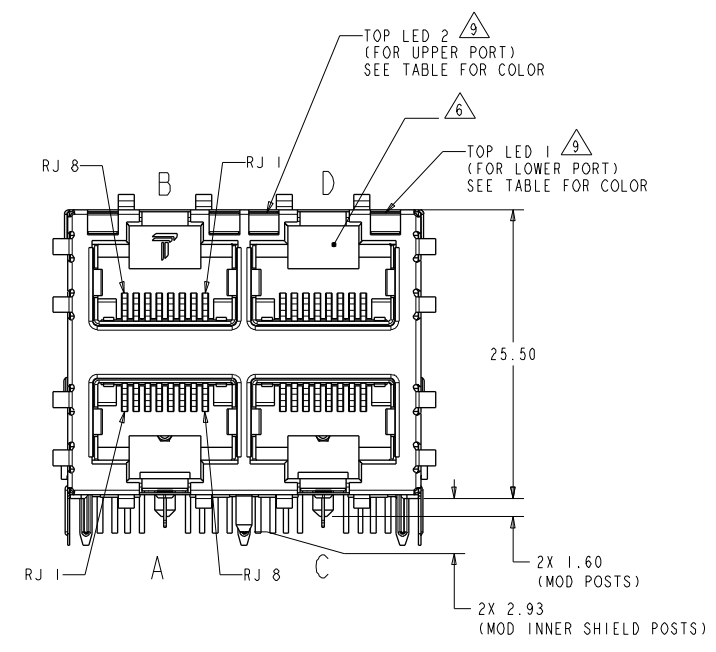
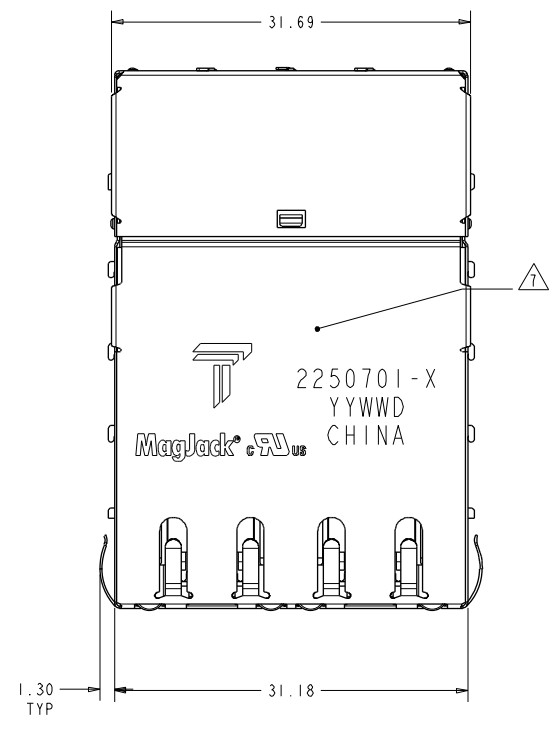
8 PANEL SEATING LOCATION WITH RESPECT TO CUSTOMER PCB EDGE.

9 LEDS ARE DRIVEN WITH CONSTANT CURRENT AT APPROX 20mA
 LED COLOR: DOMINANT WAVELENGTH (λD): GREEN 568 nm TYP. @ IF=20mA
 FORWARD VOLTAGE (VF): GREEN 2.2V TYP. @ IF=20mA
 DOMINANT WAVELENGTH (λD): AMBER 588 nm TYP. @ IF=20mA
 FORWARD VOLTAGE (VF): AMBER 2.1V TYP. @ IF=20mA

10. THE PARTS ARE RECOMMENDED FOR WAVE SOLDERING PROCESS, PEAK TEMPERATURE 260°C MAX, 10 SECONDS MAX.

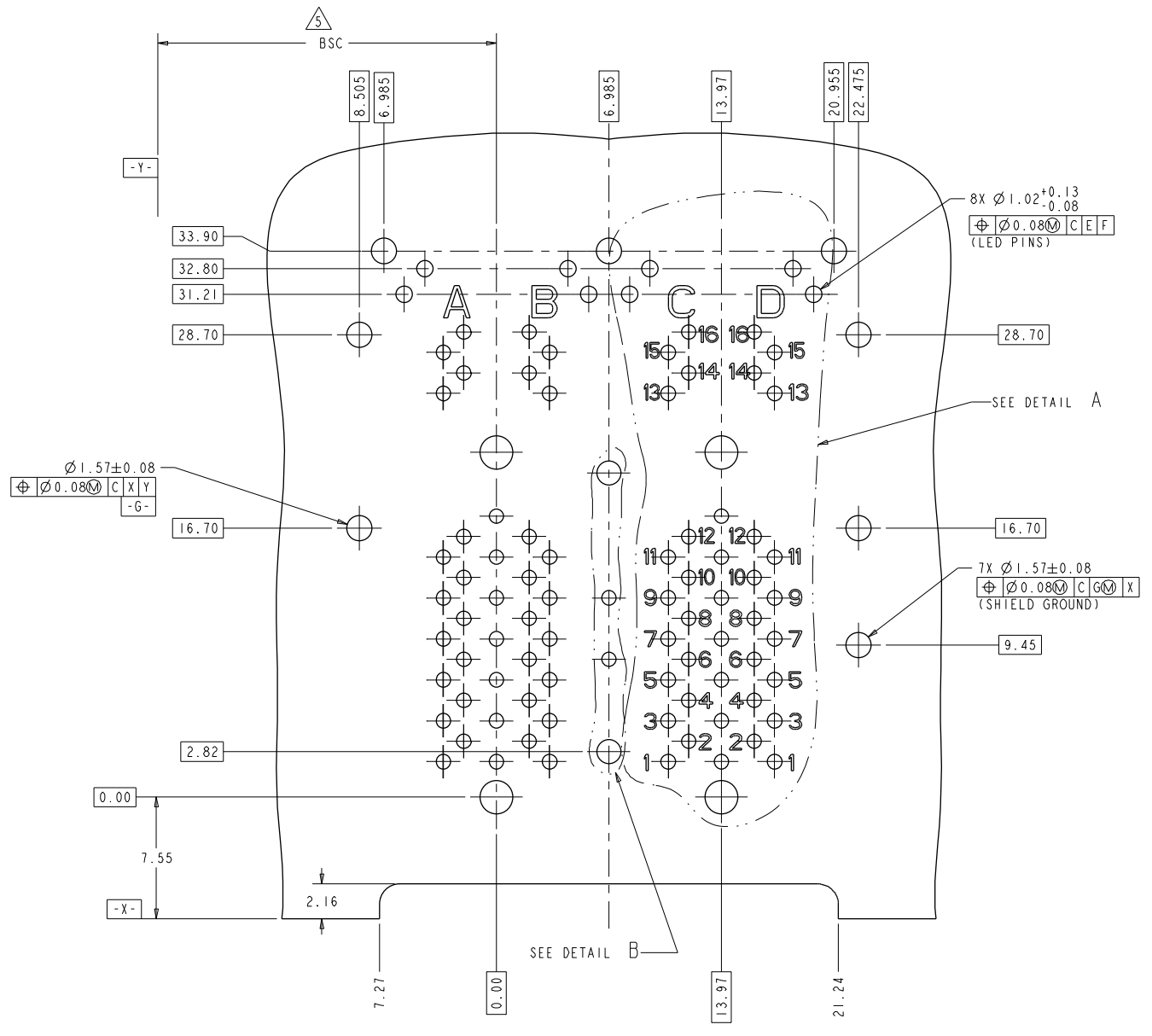
2.54	GREEN/AMBER	GREEN/AMBER	2250701-1
DIM A	TOP LED 2 (FOR UPPER PORT)	TOP LED 1 (FOR LOWER PORT)	PART NUMBER

THIS DRAWING IS A CONTROLLED DOCUMENT. AND COMPLIANT TO ASME Y14.5M		DWN: CLOUD ZENG 13MAY2020	 DONGGUAN CHINA
DIMENSIONS: mm		CHK: RICK LI/BILL LIU 13MAY2020	
TOLERANCES UNLESS OTHERWISE SPECIFIED:		APPJ: TONY YUAN 13MAY2020	MODEL NAME: MAGJACK DESC: 2X2 S9UTG02ET 10G 4PPOE 100W W/ TOP LED SIZE: A1 CAGE CODE: 2250701 DRAWING NO: 108-104004
0 PLC ±0.25 1 PLC ±0.25 2 PLC ±0.25 3 PLC ±0.25 4 PLC ± ANGLES ±		PRODUCT SPEC: 108-104004 APPLICATION SPEC:	
Customer Drawing		SCALE: NTS	SHEET 1 OF 5 REV 2

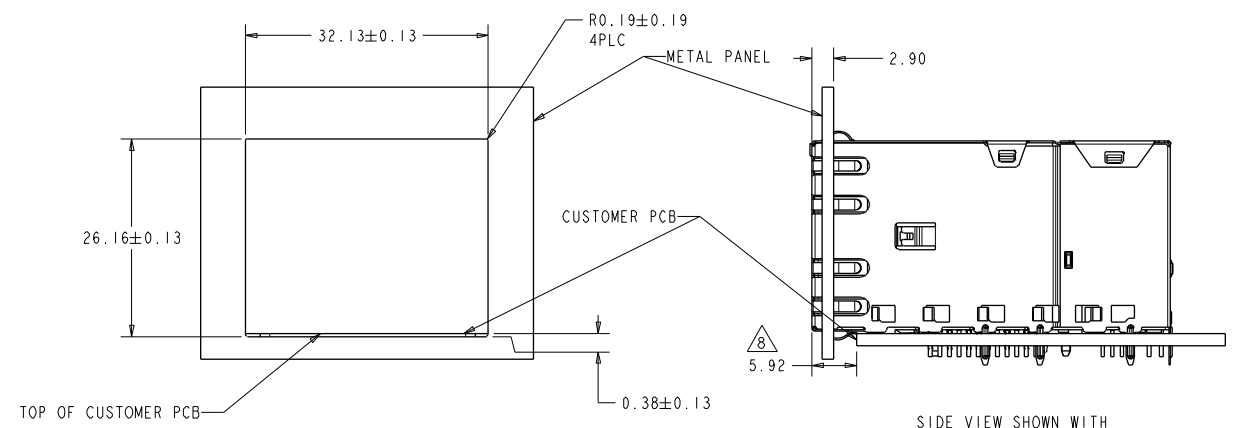


THIS DRAWING IS A CONTROLLED DOCUMENT, AND COMPLIANT TO ASME Y14.5M

DIMENSIONS:	TOLERANCES UNLESS OTHERWISE SPECIFIED:	DWN CLOUD ZENG 13MAY2020	CHK RICK LI/BILL LIU 13MAY2020	trp CONNECTOR a bel group DONGGUAN CHINA
mm	0 PLC ±0.25 1 PLC ±0.25 2 PLC ±0.25 3 PLC ±0.25 4 PLC ± ANGLES ±	APPD TONY YUAN 13MAY2020	MODEL NAME	
PRODUCT SPEC	APPLICATION SPEC	MAGJACK STACK 4PPOE		DESC 2X2 S9UTG02ET 10G 4PPOE 100W W/ TOP LED
108-104004	-	SIZE A1	CAGE CODE	DRAWING NO. ©=2250701
Customer Drawing			SCALE NTS	SHEET 2 OF 5 REV 2

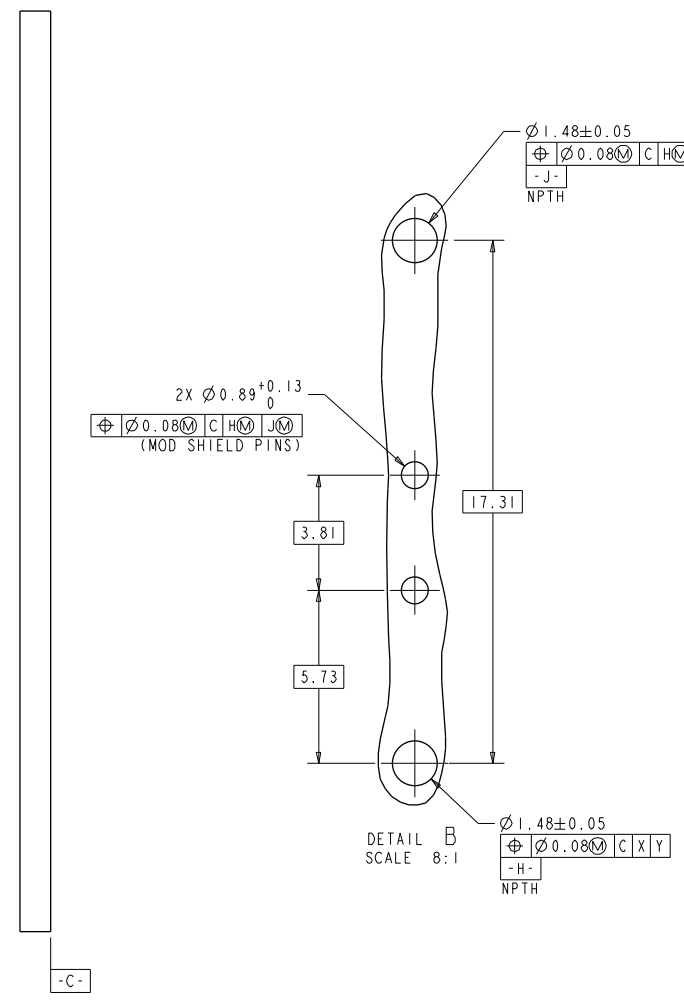


RECOMMENDED PC BOARD LAYOUT
 (VIEW FROM COMPONENT SIDE)
 SCALE 5:1

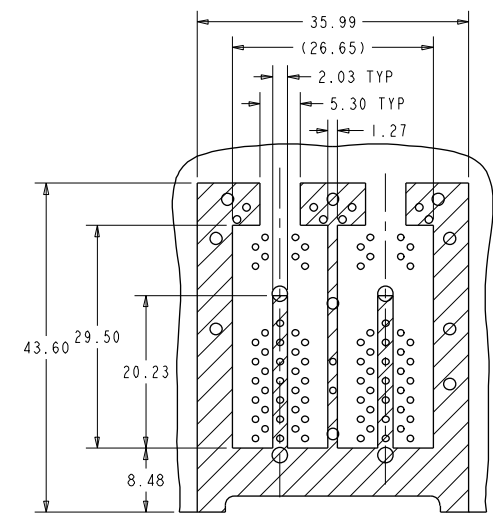


RECOMMENDED PANEL CUTOUT DIMENSION
 SCALE 2:1

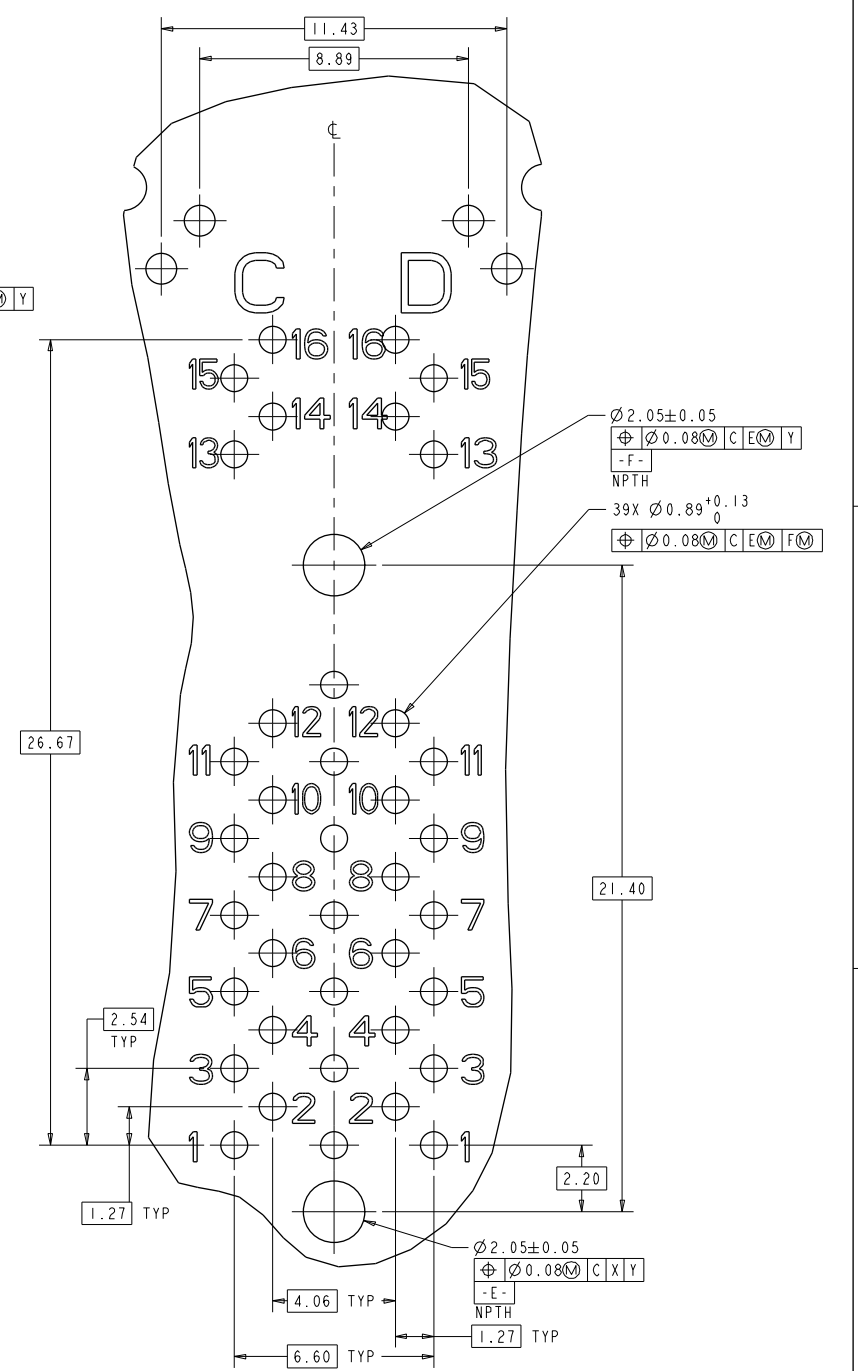
SIDE VIEW SHOWN WITH
 CUSTOMER PANEL, PCB
 SCALE 2:1



DETAIL B
 SCALE 8:1

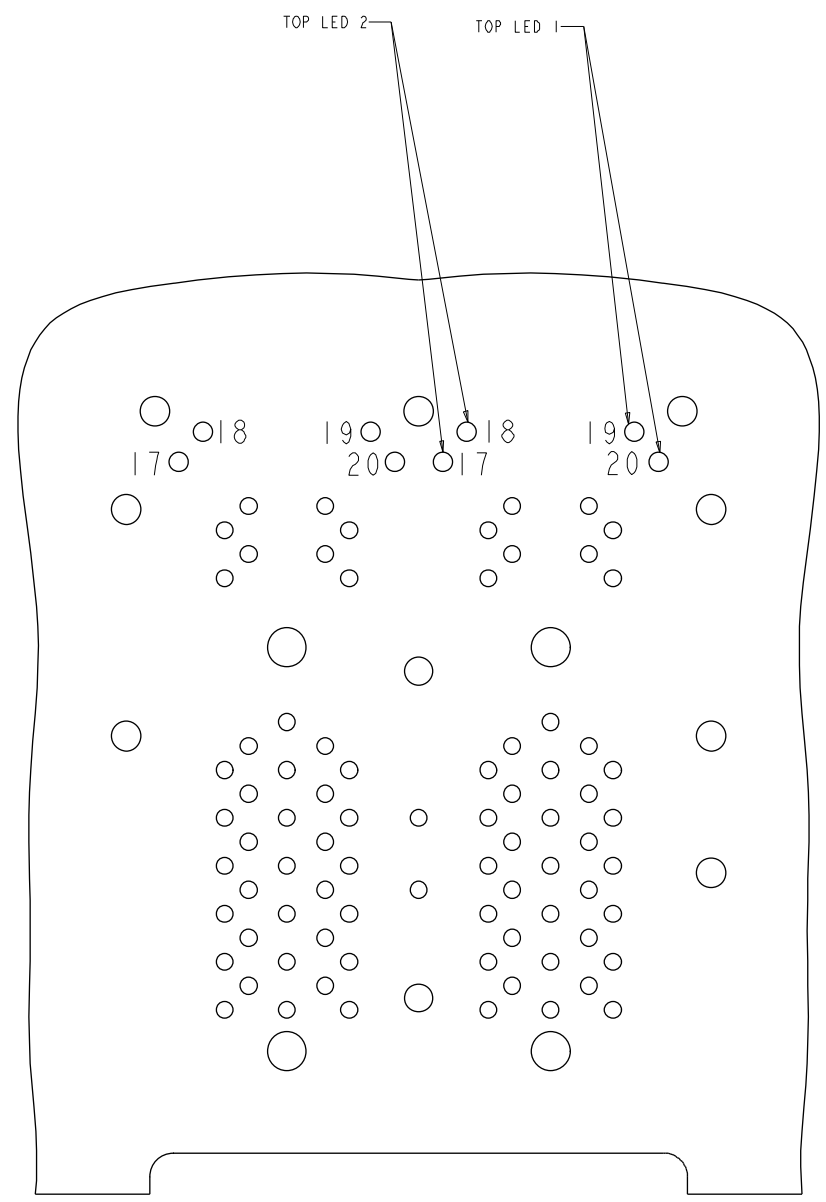
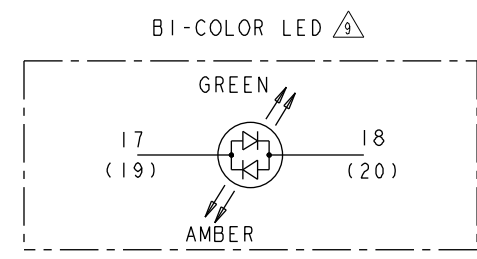


HATCHED AREA TO BE CLEAR OF ANY
 COMPONENT SIDE TRACES OR VIAS
 (EXCEPT FOR GROUND)
 SCALE 2:1

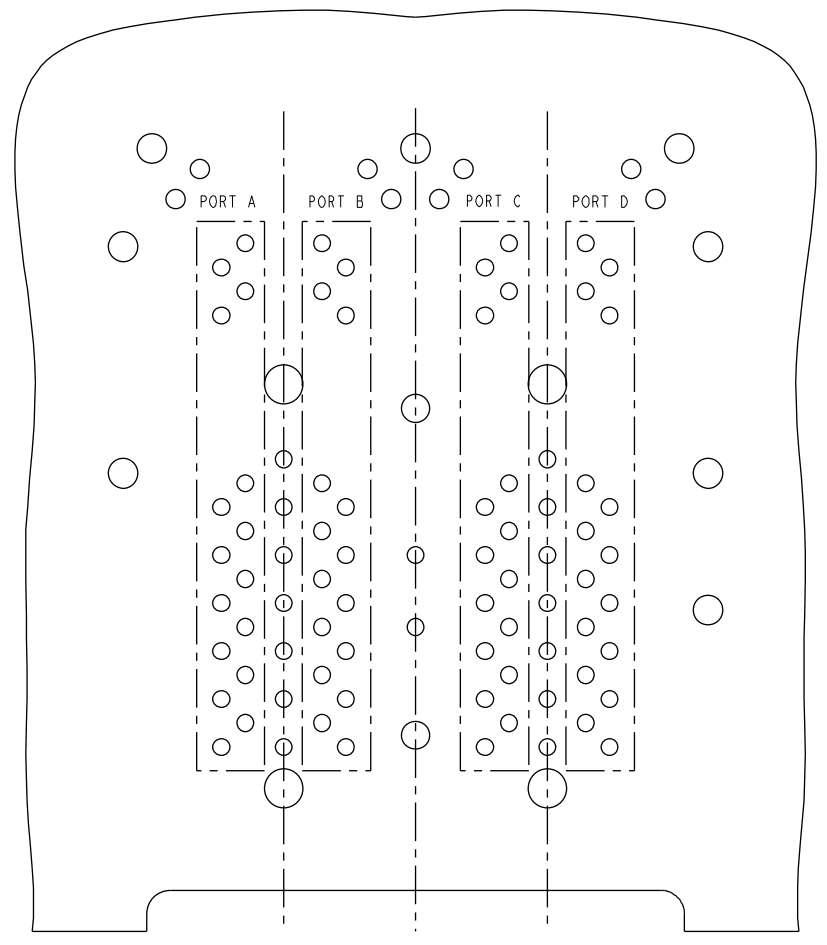


DETAIL A
 2 INDIVIDUALLY
 SCALE 8:1


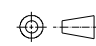
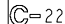
THIS DRAWING IS A CONTROLLED DOCUMENT. AND COMPLIANT TO ASME Y14.5M		DWN: CLOUD ZENG 13MAY2020 CHK: RICK LI/BILL LIU 13MAY2020 APP'D: TONY YUAN 13MAY2020		trp CONNECTOR DONGGUAN CHINA a bel group	
DIMENSIONS: mm		TOLERANCES UNLESS OTHERWISE SPECIFIED:		MODEL NAME: MAGJACK	
		0 PLC ±0.25 1 PLC ±0.25 2 PLC ±0.25 3 PLC ±0.25 4 PLC ± ANGLES ±		DESC: 2X2 S9UTG02ET 10G 4PPOE 100W W/ TOP LED	
PRODUCT SPEC: 108-104004		APPLICATION SPEC: -		SIZE: A1 CAGE CODE: C=2250701 DRAWING NO: - RESTRICTED TO: - SCALE: NTS SHEET 3 OF 5 REV 2	
				Customer Drawing	



LED HOLE DESIGNATIONS
VIEWED FROM COMPONENT SIDE
SCALE 5:1




PORT ASSIGNMENT
VIEWED FROM COMPONENT SIDE
SCALE 5:1

THIS DRAWING IS A CONTROLLED DOCUMENT. AND COMPLIANT TO ASME Y14.5M		DWN CLOUD ZENG 13MAY2020	 trp CONNECTOR DONGGUAN CHINA a bel group
DIMENSIONS: mm		CHK RICK LI/BILL LIU 13MAY2020	
TOLERANCES UNLESS OTHERWISE SPECIFIED:		APPD TONY YUAN 13MAY2020	
 0 PLC ±0.25 1 PLC ±0.25 2 PLC ±0.25 3 PLC ±0.25 4 PLC ± ANGLES ± *		MODEL NAME MAGJACK	DESC 2X2 S9UTG02ET 10G 4PPOE 100W W/ TOP LED
PRODUCT SPEC 108-104004	APPLICATION SPEC -	SIZE A1	CAGE CODE DRAWING NO  =2250701 RESTRICTED TO -
Customer Drawing		SCALE NTS	SHEET 4 OF 5 REV 2

2250701				STOCK DISPOSITION				
2X2 S9UTG02ET 10G 4PPOE 100W W/ TOP LED				A: CONTINUE AS IS		D: USE OLD FIRST		
REVISION HISTORY				B: REWORK		E: PARTS TO CONFORM		
				C: SCRAP		F: OTHER		
DATE	REV	CHANGES	REASON	APPROVAL	INVENTORY (A,B,C,D,E,F)	WORK IN PROCESS (A,B,C,F)	SUPPLIER ORDERS (A,E,F)	OPEN CUST ORDERS (A,E,F)
13MAY2020	1	INITIAL RELEASE.	N/A.	TONY YUAN	-	-	-	-
25AUG2020	2	1.ADD TOP LEDS; 2. CHANGE OPERATING TEMP TO ET(-40°C TO +85°C)	CUSTOMER REQUEST	TONY YUAN	-	-	-	-

THIS DRAWING IS A CONTROLLED DOCUMENT.
AND COMPLIANT TO ASME Y14.5M

DIMENSIONS: mm	TOLERANCES UNLESS OTHERWISE SPECIFIED: 0 PLC ±0.25 1 PLC ±0.25 2 PLC ±0.25 3 PLC ±0.25 4 PLC ± ANGLES ±	DWN CLOUD ZENG 13MAY2020	CHK RICK LI/BILL LIU 13MAY2020	APPD TONY YUAN 13MAY2020	DESC MAGJACK STACK 4PPOE	SIZE A1	CAGE CODE 2250701	DRAWING NO 2250701	RESTRICTED TO -
PRODUCT SPEC 108-104004	APPLICATION SPEC -	Customer Drawing			SCALE NTS		SHEET 5 OF 5		REV 2



trp CONNECTOR DONGGUAN CHINA
a bel group