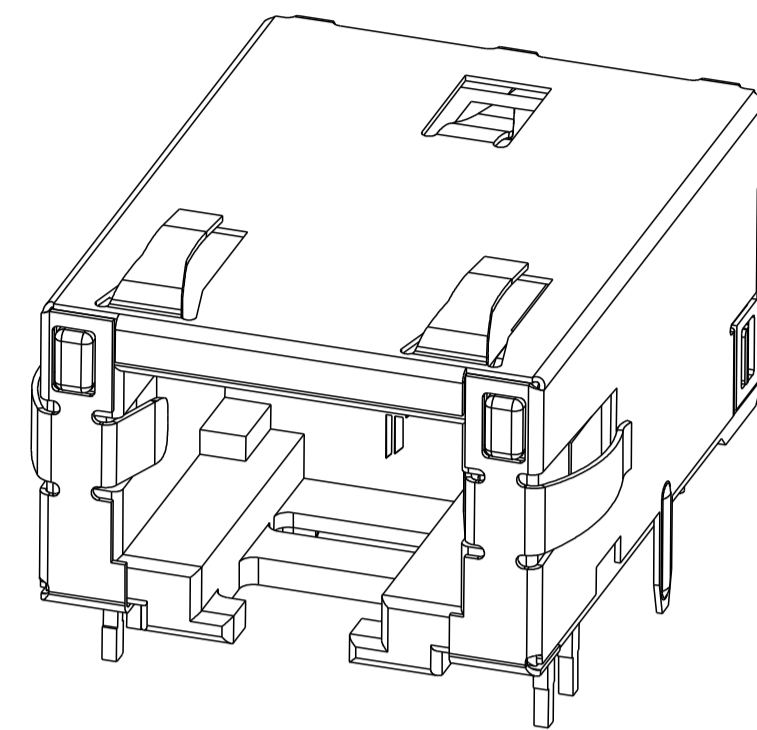
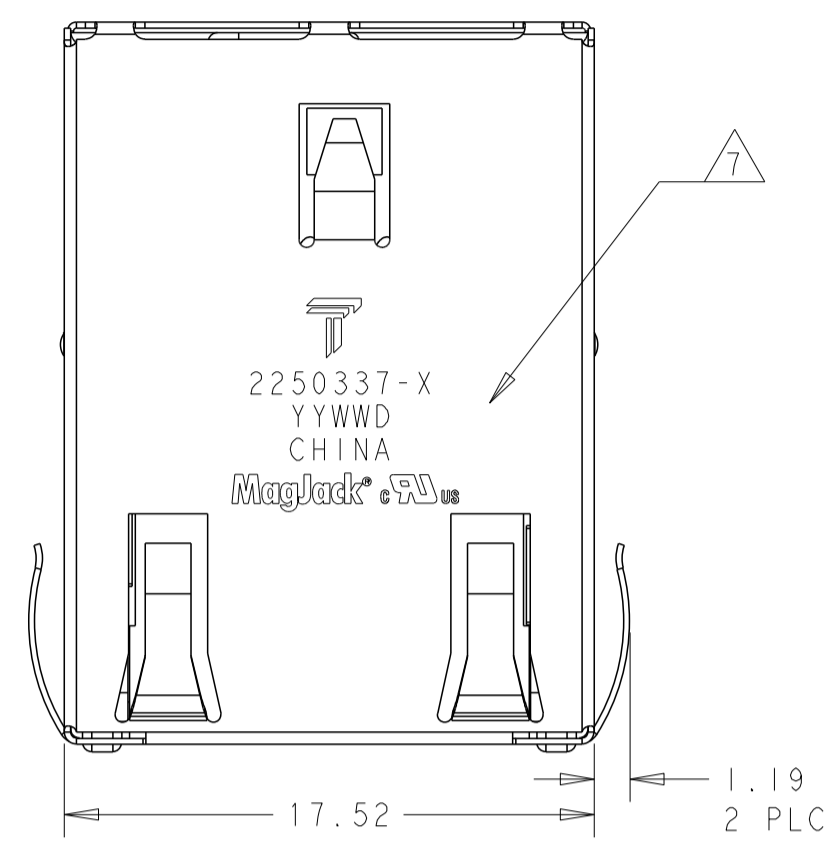


THIS DRAWING AND THE SUBJECT MATTER SHOWN THEREON ARE CONFIDENTIAL AND THE PROPERTY OF BEL/STEWART/TRP CONNECTOR AND SHALL NOT BE REPRODUCED, COPIED, OR USED IN ANY MANNER WITHOUT THE WRITTEN CONSENT OF TRP CONNECTOR.

PRODUCT MAY BE PROTECTED BY ONE OR MORE OF THE FOLLOWING US PATENTS:  
 5736910 5939955 6425781 6428361 6554638 6840817 7123117  
 7429195 7717749 7808751 6217391 6149050 7924130

REVISIONS				
#	LT#	DESCRIPTION	DATE	OWN APVD
1		SEE LAST SHEET	23SEP2015	RL TY



1. MATERIALS:
- HOUSING: HIGH TEMPERATURE NYLON, BLACK, UL 94V-0
  - SHIELD: 0.20mm THICK, BRASS PREPLATED WITH 0.76 um MIN SEMI-BRIGHT NICKEL; POST-DIPPED WITH 2 um MIN TIN
  - CONTACT TAILS: 0.25mm THICK, PHOSPHOR BRONZE, 1.27 um MIN OVERALL NICKEL UNDERPLATE, WITH 1.27 MIN GOLD PLATING AT MATING INTERFACE, 3 um MIN TIN PLATE ON SOLDER TAILS
  - MOD JACK CONTACTS: 0.3mm THICK, PHOSPHOR BRONZE, 1.27 um MIN OVERALL NICKEL UNDERPLATE, WITH 1.27 um MIN LOCALIZED GOLD PLATE AT PLUG INTERFACE
  - LIGHT EMITTING DIODE (LED): DIFFUSED EPOXY LENS, 0.5mm X 0.5mm CARBON STEEL WIREFRAME LEADS PREPLATED WITH 2.03um MIN. SILVER PLATE OVER 1.02um MIN. NICKEL OVER 1.02um MIN. COPPER UNDERPLATE; LEADS POST-PLATED WITH 3.05um MIN. MATTE TIN. DIPPED WITH 2 um MIN TIN
  - LIGHT PIPE: POLYETHER SULFONE

△ RJ45 JACK CAVITY CONFORMS TO FCC RULES AND REGULATIONS PART 68, SUB-PART F.

- △ MAGNETICS:
- APPLICATION: 1G/10G BASE-T, EXTENDED TEMPERATURE
  - IMPEDANCE: 100 OHMS
  - TURNS RATIO (CHIP:CABLE): 1:1 ALL FOUR PAIRS
  - OPEN CIRCUIT INDUCTANCE (OCL): 160 uH MIN @ 100kHz, 0.1VRMS, 8mA DC BIAS FROM -40°C TO +85°C, ALL FOUR PAIRS
  - ALL FOUR PAIRS BI-DIRECTIONAL
  - PERFORMANCE @ 25°C: PLEASE REFER TO SEPARATE SHEET
  - ISOLATION VOLTAGE: 2250VDC FOR 60 SECONDS WITH A RISE TIME OF 500V/SEC,

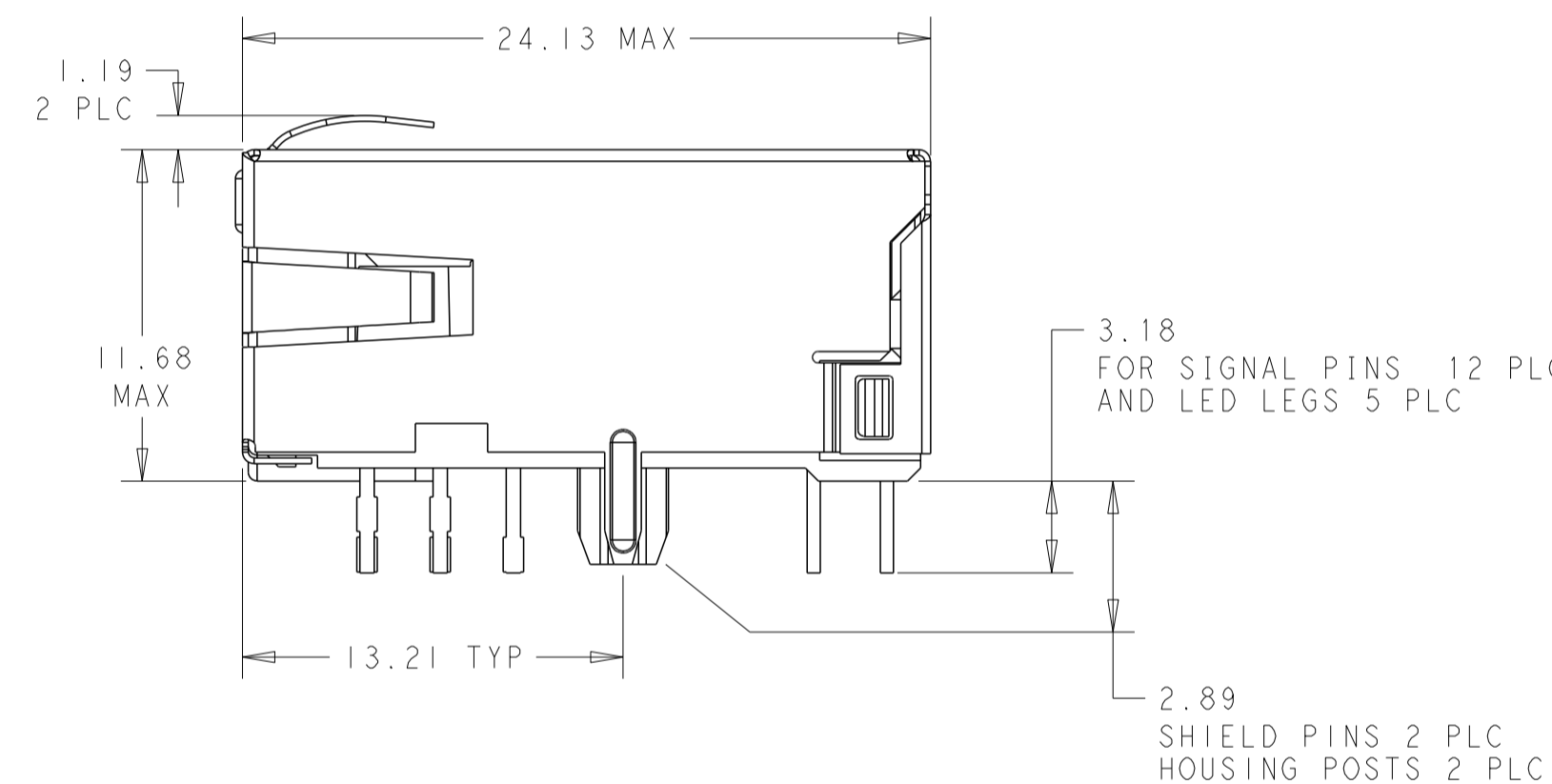
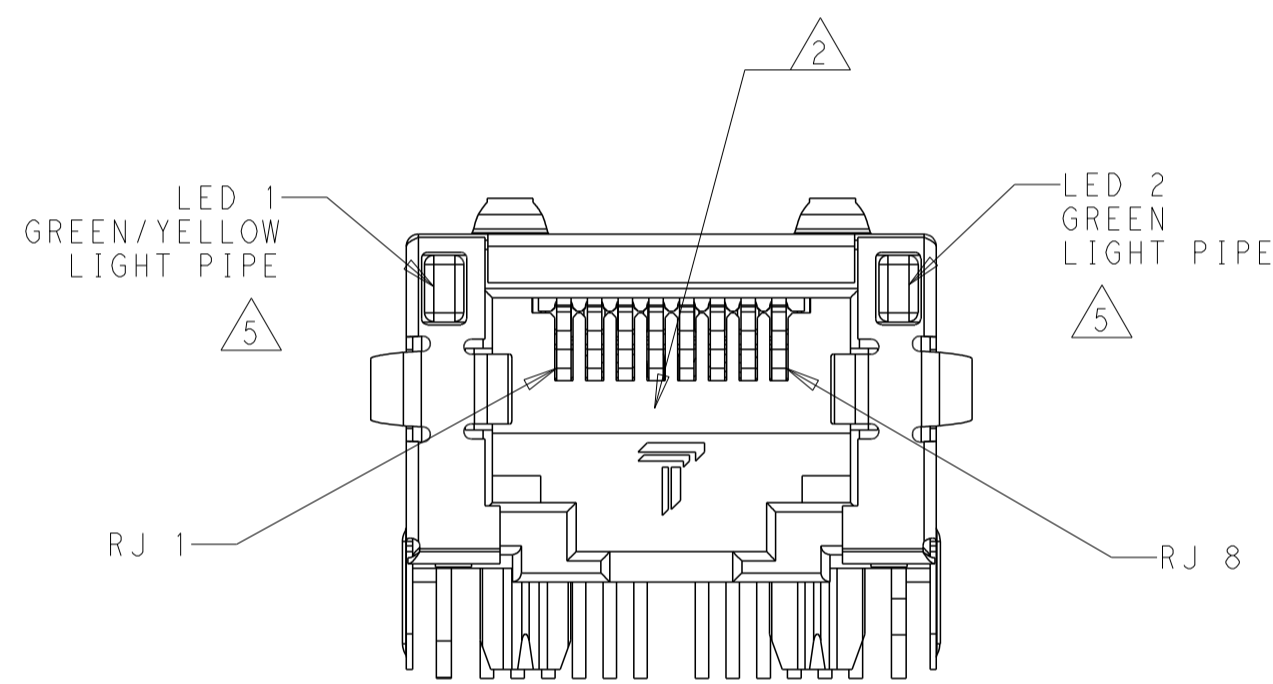
4. OPERATING TEMPERATURE: FROM -40°C TO +85°C

- △ LIGHT PIPES ARE USED TO TRANSMIT LIGHT OF LED.  
 LEDS ARE DRIVEN WITH CONSTANT CURRENT AT APPROX 20mA.  
 LED COLOR: DOMINANT WAVELENGTH (λD): GREEN 568nm TYP. at IF=20mA  
 FORWARD VOLTAGE (VF): GREEN 2.2V TYP. at IF=20mA  
 DOMINANT WAVELENGTH (λD): YELLOW 588nm TYP. at IF=20mA  
 FORWARD VOLTAGE (VF): YELLOW 2.1V TYP. at IF=20mA

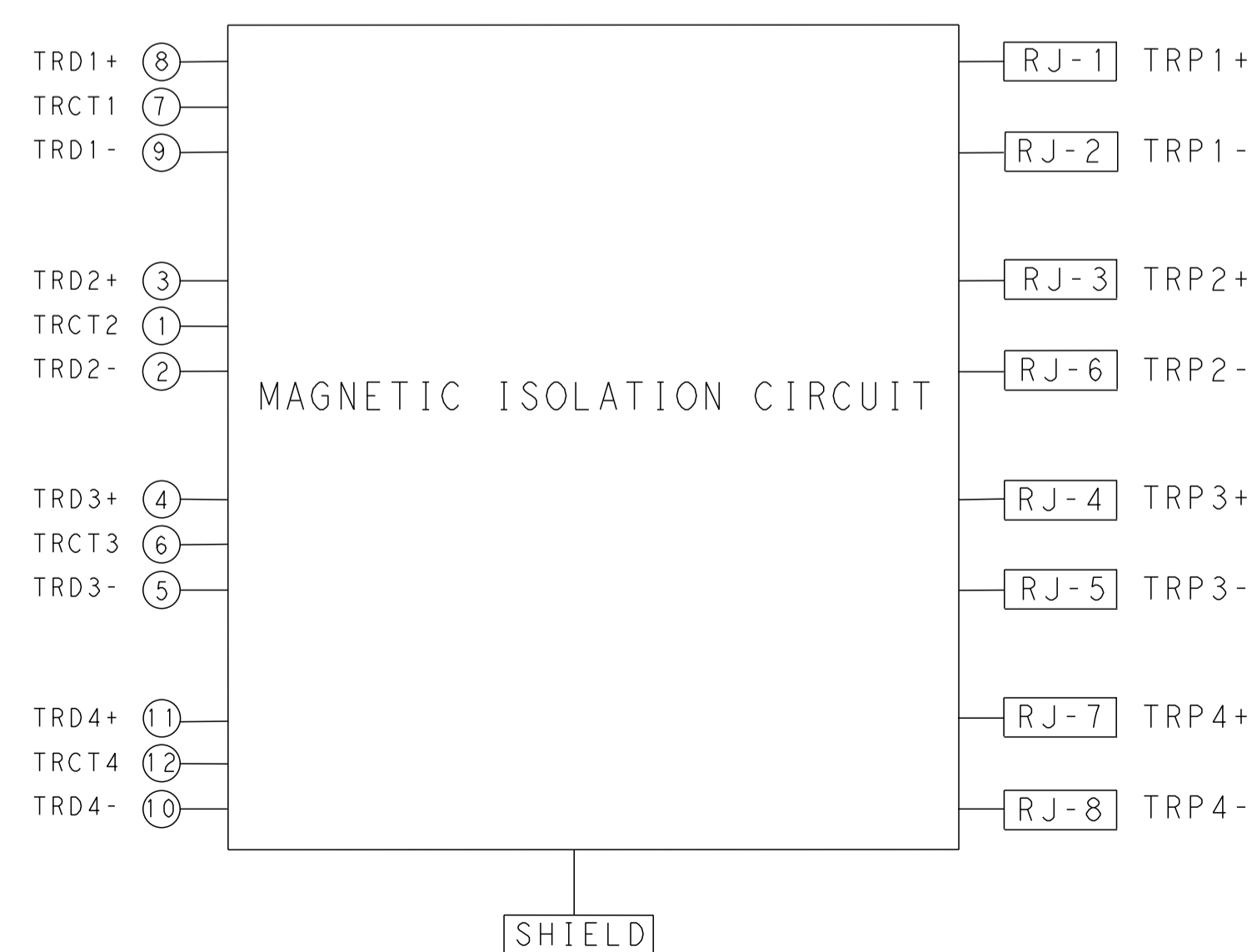
6. ALL DIMENSIONS ARE NOMINAL UNLESS OTHERWISE NOTED.

△ TRP CONNECTOR LOGO, PART NUMBER, DATE CODE, COUNTRY OF ORIGIN, AND AGENCY APPROVAL MARKING IN APPROXIMATE LOCATION SHOWN, DATE CODE: YYWD WHERE YY IS YEAR, WW IS WORK WEEK, D IS DAY OF WEEK, WITH SUNDAY=1.

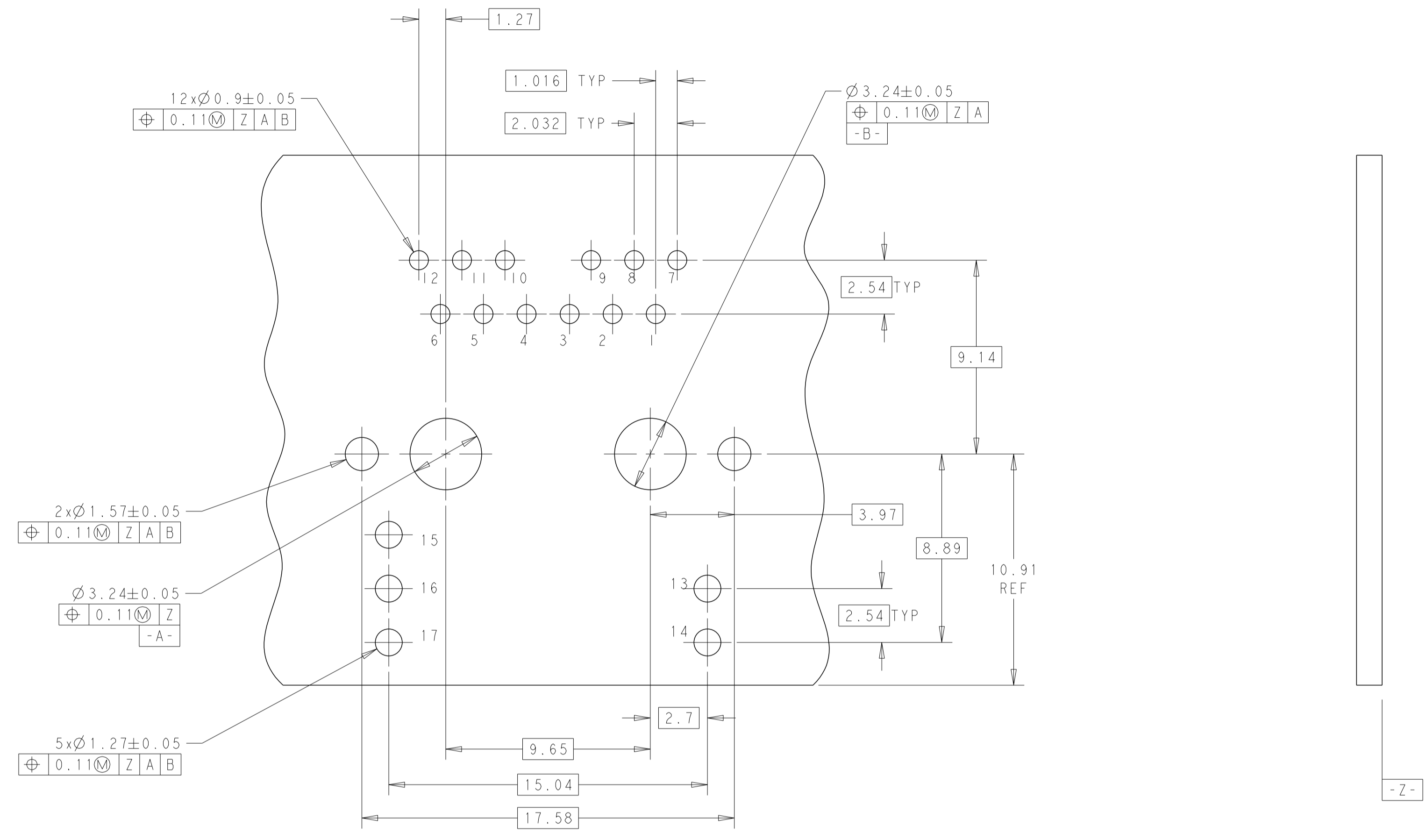
△ THE PART COMPLIANTS TO WAVE SOLDERING PROCESS. PREHEAT TEMPERATURE IS 120°C TO 160°C, 120 SECONDS TO 180 SECONDS, PEAK SOLDERING TEMPERATURE IS 260°C MAX, 10 SECONDS MAX



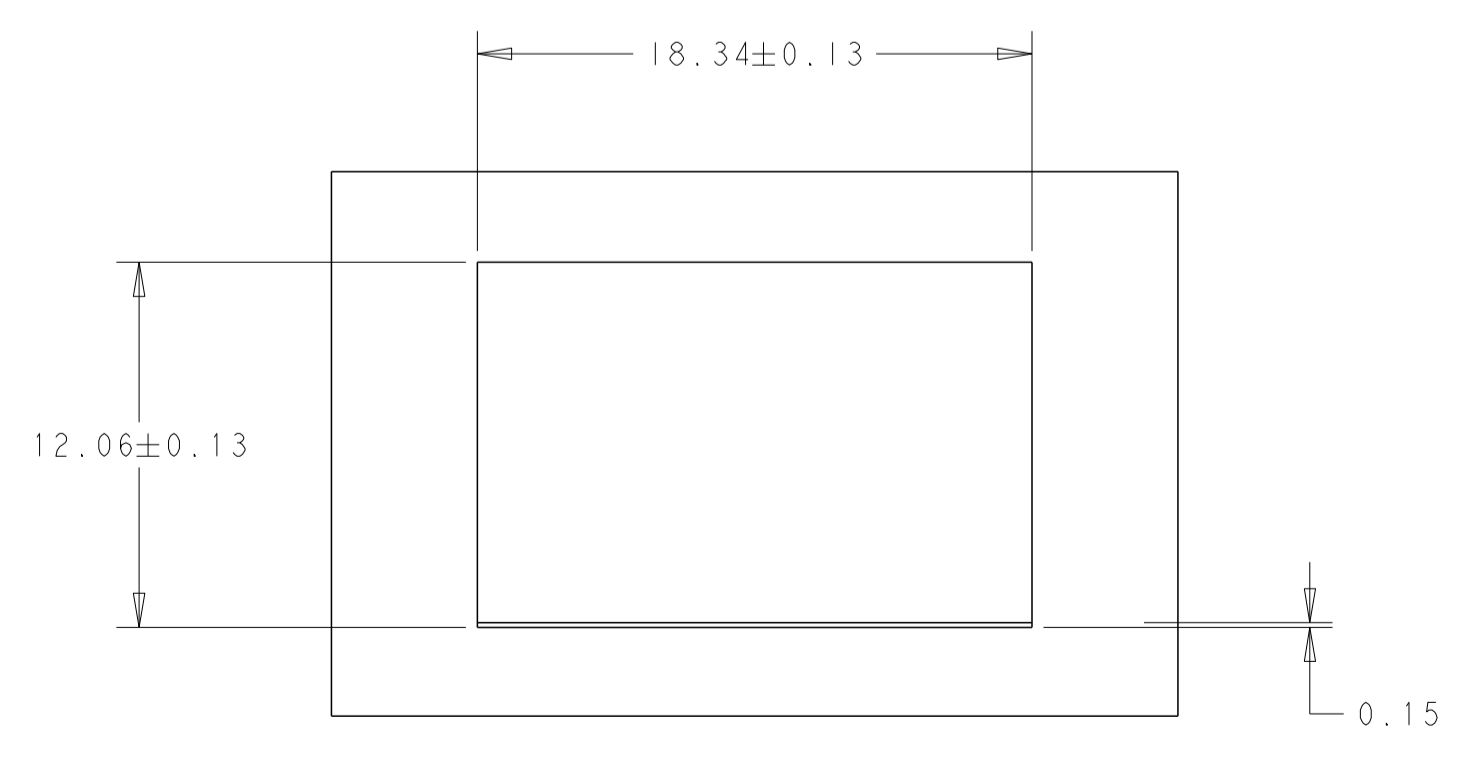
8TG08ET 10 GIGABIT CIRCUIT △△



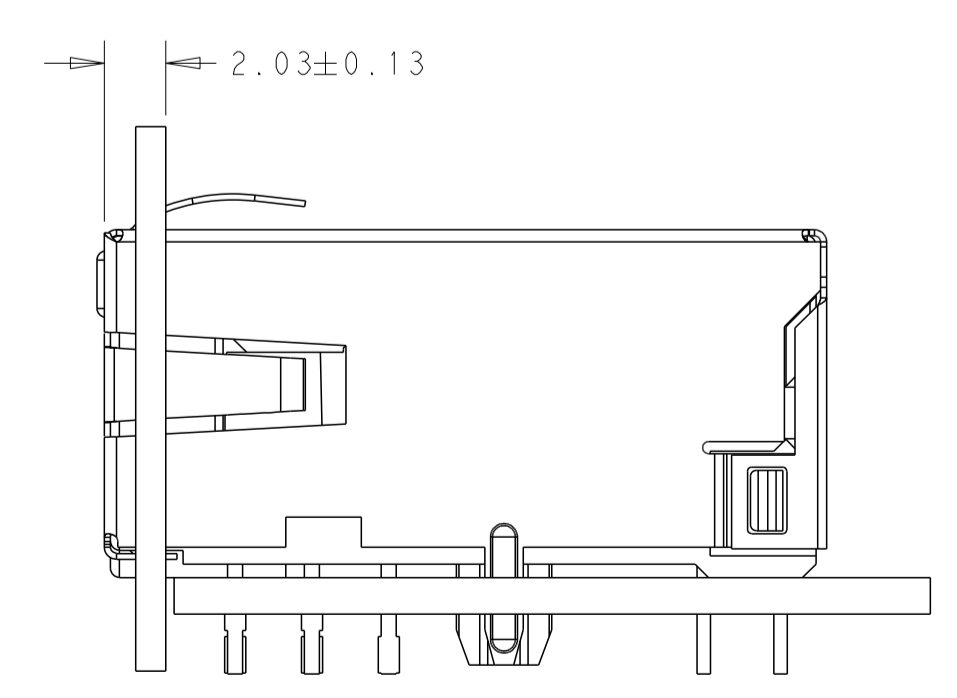
TRAY	WAVE △	YELLOW	GREEN	GREEN	2250337-1
PACKAGE METHOD	SOLDERING PROCESS	16 15	16 17	14 13	PART NO.
		LED 1		LED 2	
THIS DRAWING IS A CONTROLLED DOCUMENT.		OWN ROY LIU 23SEP2015		DONGGUAN CHINA	
DIMENSIONS: mm		TOLERANCES UNLESS OTHERWISE SPECIFIED:		MODEL NAME	
0 PLC ±0.25		1 PLC ±0.25		MAGJACK	
2 PLC ±0.25		3 PLC ±0.25		DESC	
4 PLC ±		5 PLC ±		IXI 10G 8TG08ET	
ANGLES		APPLICATION SPEC		TAB DOWN LOW PROFILE W/ LED	
PRODUCT SPEC 108-104004		CUSTOMER DRAWING		SIZE CAGE CODE DRAWING NO RESTRICTED TO	
		SCALE 4:1		SHEET 1 OF 3 REV	



SUGGESTED PCB LAYOUT  
(COMPONENT SIDE)




SUGGESTED PANEL CUTOUT



THIS DRAWING IS A CONTROLLED DOCUMENT.		DWN ROY LIU 23SEP2015 CHG TOWER YU / KENIA WANG 23SEP2015 APYD TONY YIJIAN 23SEP2015	DONGGUAN CHINA
DIMENSIONS: mm	TOLERANCES UNLESS OTHERWISE SPECIFIED: 0 PLC ±0.25 1 PLC ±0.25 2 PLC ±0.25 3 PLC ± 4 PLC ± ANGLES ± APPLICATION SPEC ±	MODEL NAME MAGJACK	
PRODUCT SPEC 108-104004	APPLICATION SPEC -	SIZE CAGE CODE DRAWING NO SINGLE NON-POE A1 C=2250337	RESTRICTED TO CUSTOMER DRAWING SCALE 4:1 SHEET 2 OF 3 REV 1

2250337_C				STOCK DISPOSITION				
				A: CONTINUE AS IS		D: USE OLD FIRST		
				B: REWORK		E: PARTS TO CONFORM		
				C: SCRAP		F: OTHER		
REVISION HISTORY								
DATE	REV	CHANGES	REASON	APPROVAL	INVENTORY (A,B,C,D,E,F)	WORK IN PROCESS (A,B,C,F)	SUPPLIER ORDERS (A,E,F)	OPEN CUST ORDERS (A,E,F)
23SEP2015	1	INITIAL RELEASE	-	TONY YUAN	-	-	-	-

THIS DRAWING IS A CONTROLLED DOCUMENT.		OWN ROY LIU	23SEP2015	 <b>trp</b> CONNECTOR <small>a bel group</small>	DONGGUAN CHINA	
DIMENSIONS: mm		CHK TOWER YU / KENIA WANG	23SEP2015		DESC IX1 10G 8TG08ET TAB DOWN LOW PROFILE W/ LED	
TOLERANCES UNLESS OTHERWISE SPECIFIED:		APP'D TONY YUAN	23SEP2015		SIZE CAGE CODE DRAWING NO RESTRICTED TO A 1 C=2250337 -	
0 PLC ±0.25 1 PLC ±0.25 2 PLC ±0.25 3 PLC ± 4 PLC ± ANGLES ±° APPLICATION SPEC ±°		MODEL NAME MAGJACK		CUSTOMER DRAWING		
PRODUCT SPEC 108-104004		APPLICATION SPEC -		SCALE 4:1 SHEET 3 OF 3 REV 1		