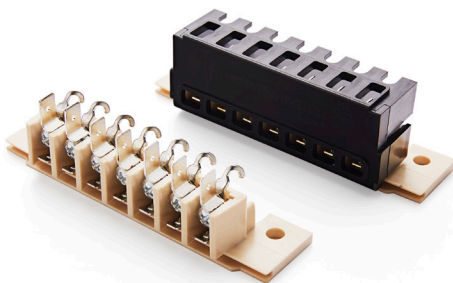


TRK TransPort™ Connectors

Mounting Hardware

The TRK TransPort™ connectors provide touch safe electrical terminations for power transformers, inductors, and reactors with EI-type core assemblies. The connectors may also be attached to bulkheads and chassis where touch safe terminations are required.

The connectors' modular design provides superior strength and rigidity over singular terminal components while minimizing handling and storage issues. This series offers multiple connection schemes in one compact package including 3/16" and 1/4" Fast-On* as well as screw/binding clamp for hard wiring. Integral mounting holes provide secure attachment with no need for additional insulating hardware.



General Specifications

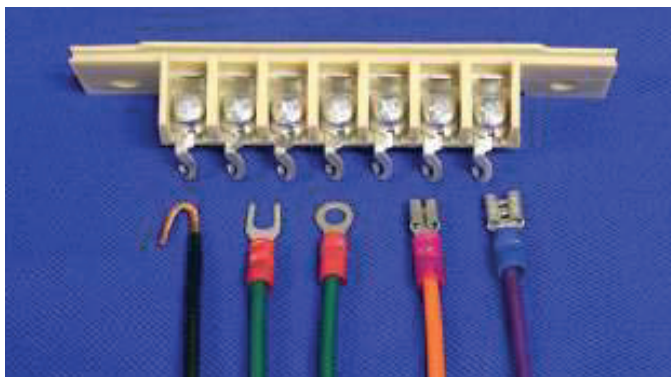
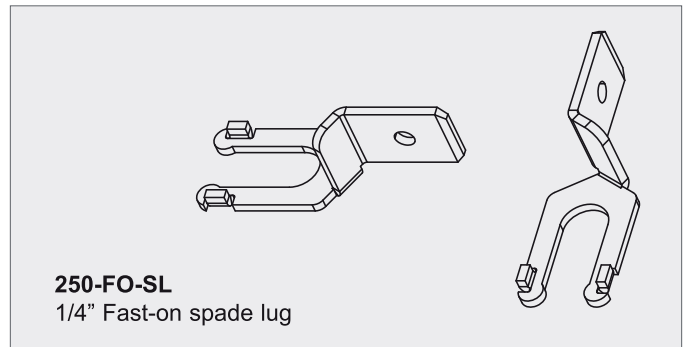
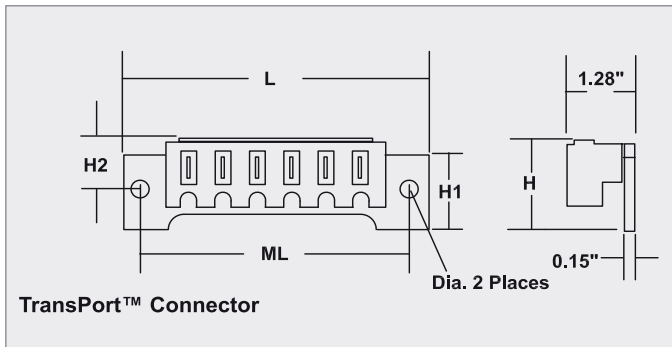
- Provides touch safe terminations and conforms to IEC60529 / IP20 requirements
- Designed to support multiple connection schemes
- For use on power transformers, inductors, and reactors with EI core assemblies
- VDE certified to EN 60998-2-1 (VDE 0613), rated at 450 V, 41 A, Reg-Nr B503
- CSA certified to CAN/CSA C22.2 (# 0-M91, 158-1987), Certificate # 1803371
- Certified to UL 1059, UL 310 and UL 486E
- RoHS compliant

* The 1/4" Fast-On spade lug P/N 250-FO-SL can also be purchased separately

Part Number Selection & Mechanical Specifications

Part Number	Positions	Diameter	L	ML	H	H1	H2
TB-1-3*	3	0.170	3.0	2.50	0.79	0.45	0.60
TB-1-1/4-6	6	0.224	3.5	3.12	1.08	0.81	0.86
TB-1-3/8-7	7	0.224	4.1	3.45	1.18	0.91	0.92
TB-1-1/2-7	7	0.224	4.2	3.75	1.08	0.81	0.78
TB-1-3/4-8	8	0.312	5.0	4.39	1.08	0.81	0.73
TB-2-1/8-8	8	0.312	6.2	5.33	1.08	0.81	0.73
TB-2-1/4-8	8	0.312	6.9	5.84	1.08	0.81	0.73
TB-2-1/2-8	8	0.312	7.4	6.68	1.08	0.81	0.73

* Agency: Pending



TransPort™'s unique modular design supports multiple connection schemes



Custom versions available upon request.



128 Atlantic Avenue, Lynbrook, NY 11563
Toll Free 866-239-5777 | Tel 516-239-5777 | Fax 516-239-7208
sales@signaltransformer.com | techhelp@signaltransformer.com

belfuse.com/signal