

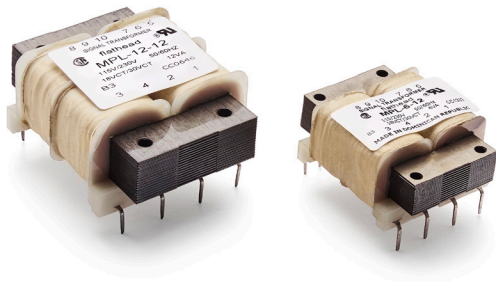
Printed Circuit Mount

# MPL Series

## Triple Output Transformers

### For 5 VDC and $\pm 12$ VDC or $\pm 15$ VDC Regulated Power Supplies

Signal's MPL triple output transformer use hum-bucking (semi-toroidal) construction that minimizes radiated magnetic fields. These transformers are ideal for critical low-height PC board applications.



### General Specifications

- Power - 6 VA and 12 VA
- Dielectric Strength - 1500 Vrms Hipot
- Primaries - Dual primaries, 115/230 V nominal, 50/60 Hz, Input range 100 V to 130 V or 200 V to 260 V
- Secondaries - Dual complementary outputs, 5 VDC with  $\pm 12$  VDC or 5 VDC with  $\pm 15$  VDC
- Electrostatic shield - not necessary due to split bobbin construction
- Reduced magnetic radiation
- Height - 0.85" and 1.065" high
- Insulation System - Class B, 130° C, UL 1446 E66312

### Agency Certifications

- UL recognized to UL 506 / UL 5085-2, File # E63829
- CSA certified to C22.2 #66.1, File # 221070

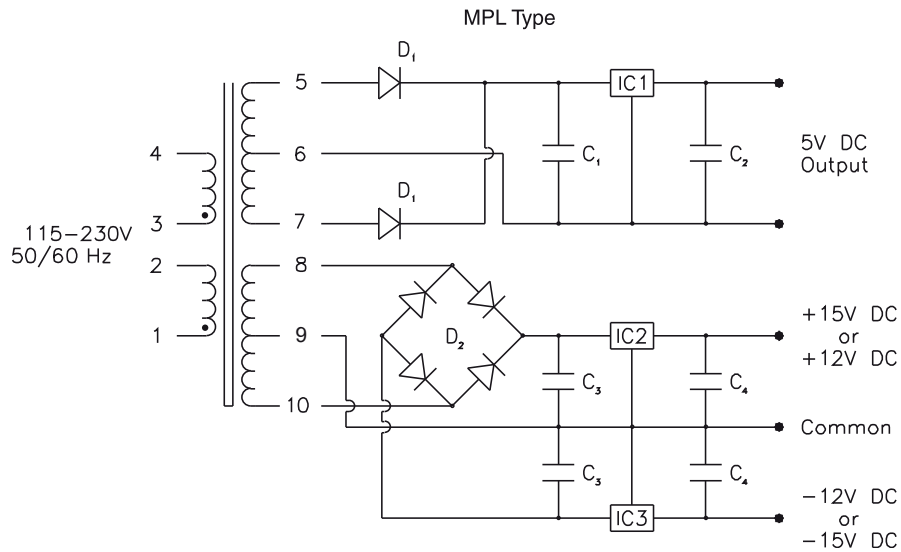


[belfuse.com/signal](http://belfuse.com/signal)

## Part Number Selection

Part Number	DC Output		VA Size	Suggested Components							
	Regulator I	Regulator II		C <sub>1</sub>	C <sub>2</sub>	C <sub>3</sub>	C <sub>4</sub>	D <sub>1(2)</sub>	D <sub>2(4)</sub>	IC <sub>1</sub> *	IC <sub>2</sub> *
MPL-6-12	5 VDC @ 135 mA	±12 VDC @ 40 mA	6	1000 MFD @ 20 V	2.7 MFD @ 20 V	150 MFD @ 50 V	10 MFD @ 20 V	1N4001	1N4002	LM342P-5.0	LM326N
MPL-6-15	5 VDC @ 135 mA	±15 VDC @ 35 mA	6	1000 MFD @ 20 V	2.7 MFD @ 20 V	150 MFD @ 50 V	10 MFD @ 20 V	1N4001	1N4002	LM342P-5.0	LM325N
MPL-12-12	5 VDC @ 270 mA	±12 VDC @ 85 mA	12	2100 MFD @ 30 V	2.7 MFD @ 20 V	250 MFD @ 50 V	10 MFD @ 20 V	1N4001	1N4002	LM341P-5.0	LM326N
MPL-12-15	5 VDC @ 270 mA	±15 VDC @ 70 mA	12	2100 MFD @ 30 V	2.7 MFD @ 20 V	250 MFD @ 50 V	10 MFD @ 20 V	1N4001	1N4002	LM341P-5.0	LM325N

\* National Semiconductor



Custom versions available upon request.

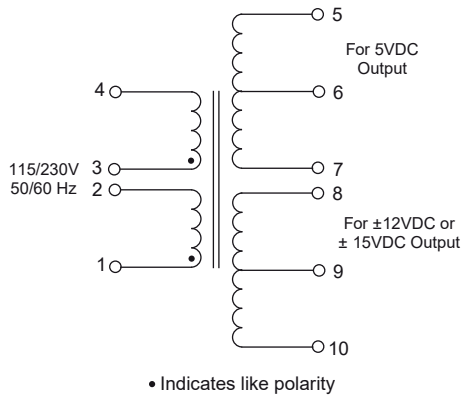
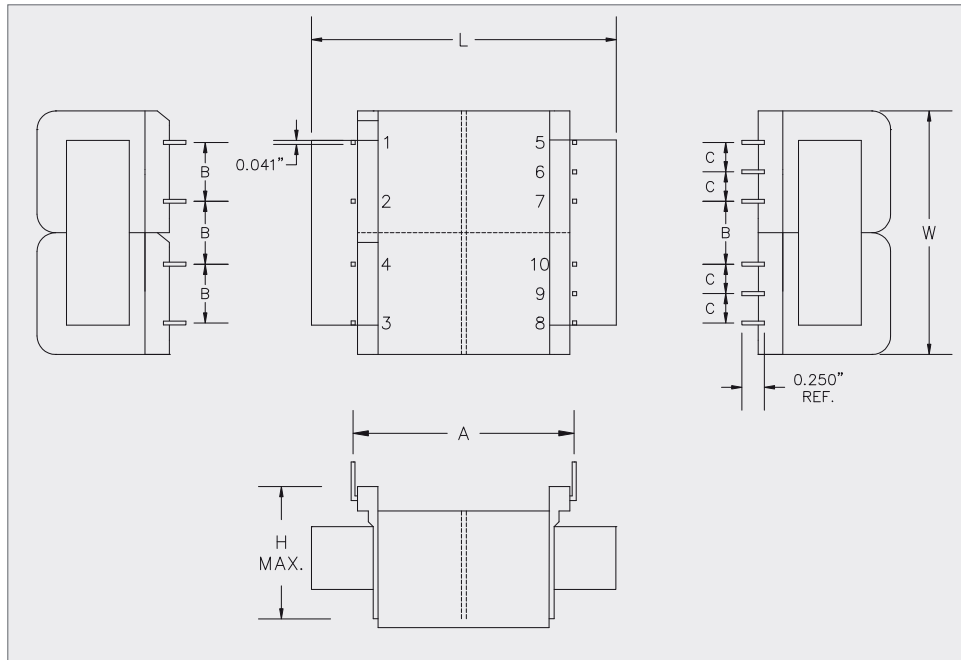


128 Atlantic Avenue, Lynbrook, NY 11563  
Toll Free 866-239-5777 | Tel 516-239-5777 | Fax 516-239-7208  
sales@signaltransformer.com | techhelp@signaltransformer.com

[belfuse.com/signal](http://belfuse.com/signal)

## Mechanical Specifications

VA	Dimensions						Weight
	L	W	H	A	B	C	
Size	Inches (mm)						lbs (kg)
6	1.87 (47.6)	1.56 (39.7)	0.85 (21.6)	1.60 (40.6)	0.37 (9.5)	0.18 (4.7)	0.43 (0.20)
12	2.50 (63.5)	2.00 (50.8)	1.06 (27.1)	2.00 (50.8)	0.50 (12.7)	0.25 (6.4)	0.68 (0.31)



Custom versions available upon request.



128 Atlantic Avenue, Lynbrook, NY 11563  
 Toll Free 866-239-5777 | Tel 516-239-5777 | Fax 516-239-7208  
 sales@signaltransformer.com | techhelp@signaltransformer.com

[belfuse.com/signal](http://belfuse.com/signal)