

Type 0ALA

1000VDC, Fast Acting Fuse

0ALA Series

RoHS Compliant

Description

Fast Acting fuse for DC Application

Features

- Excellent DC performance
- Full compliance with EU Directive 2011/65/EU and amending directive 2015/863
- Design to UL248-1 & UL248-20



Applications

DC Applications
EV/HEV/ESS Applications



UK CA CE

Physical Specifications

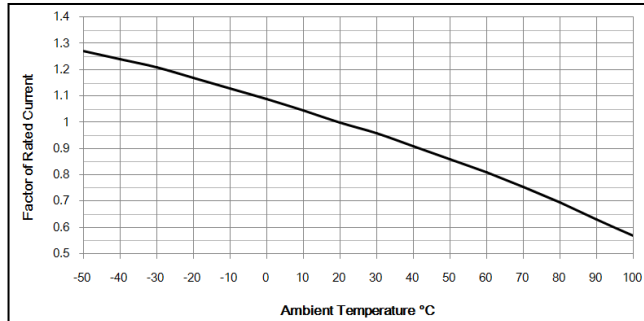
| | |
|-----------|---|
| Materials | Body : Ceramic |
| | Terminals : Tin Plated Copper |
| Marking | On Fuse : |
| | "bel", "0ALA", |
| | "Current Rating", "Voltage Rating", "Interrupting Rating" |
| | On Label : |
| | "bel", "0ALAX", "Current Rating", "Voltage Rating", "Interrupting Rating", "Appropriate Safety Logos" and "  ", "  "(China RoHS compliant). |

Ratings

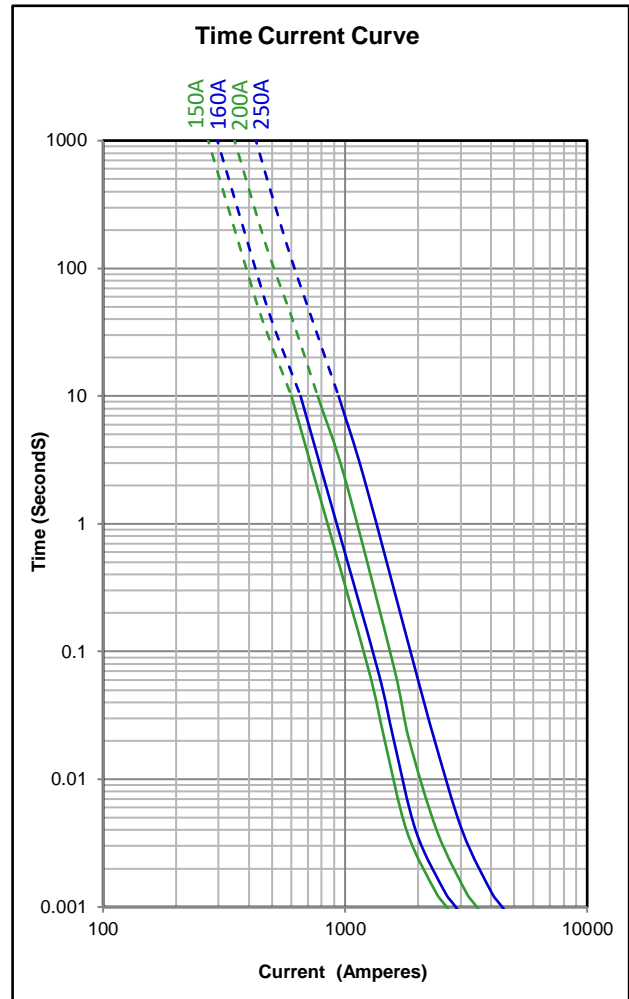
| Ampere Rating / Voltage Rating | Ampere Range / Volt @ I.R. ability* |
|---|-------------------------------------|
| 150A-250A / 1000V DC | 150A-250A / 1000V @ 50kA DC |
| *I.R.= Interrupting Rating = Short Circuit Rating(Amps) | |

Temperature Re-Rating Curve

Operating Temperature: -40°C to +100°C, with proper re-rating factor applied



Average Time Current Curve



Electrical Specifications

| Part Number | Ampere Rating | Voltage and Interrupting Ratings | 0.5In Power Loss (W) | I ² t (A ² s) | |
|--------------|---------------|--|----------------------|-------------------------------------|-------|
| | | | | Pre Arc | Total |
| 0ALAxK150-xx | 150A | See Table of Ratings on Page 1 for Voltage and associated Interrupting Ratings | 4.5 | 4630 | 23300 |
| 0ALAxK160-xx | 160A | | 5.2 | 5560 | 29500 |
| 0ALAxK200-xx | 200A | | 6.6 | 8300 | 43900 |
| 0ALAxK250-xx | 250A | | 8.5 | 13300 | 75600 |

Consult manufacturer for other ratings



Specifications subject to change without notice

Bel Fuse Inc.
300 Executive Drive, Suite 300,
West Orange, NJ 07052 USA

+1 201.432.0463
Bel.US.CS@belf.com
belfuse.com/circuit-protection

Type 0ALA

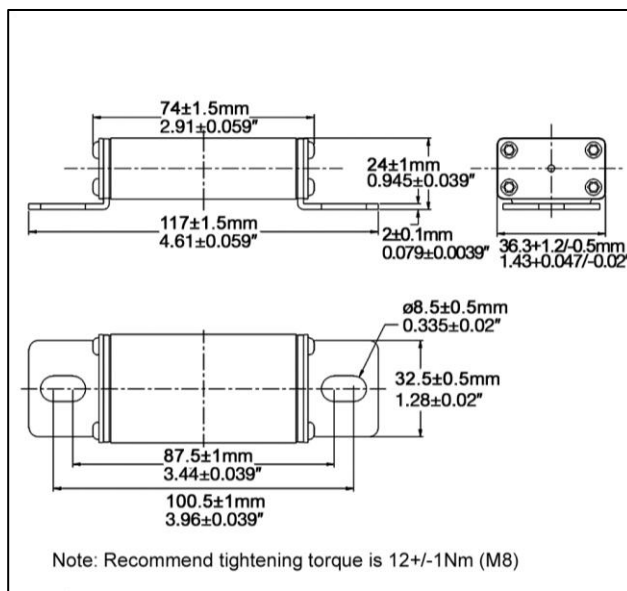
Fuse FGNO Explanation

0ALA X [XXXX] -XX

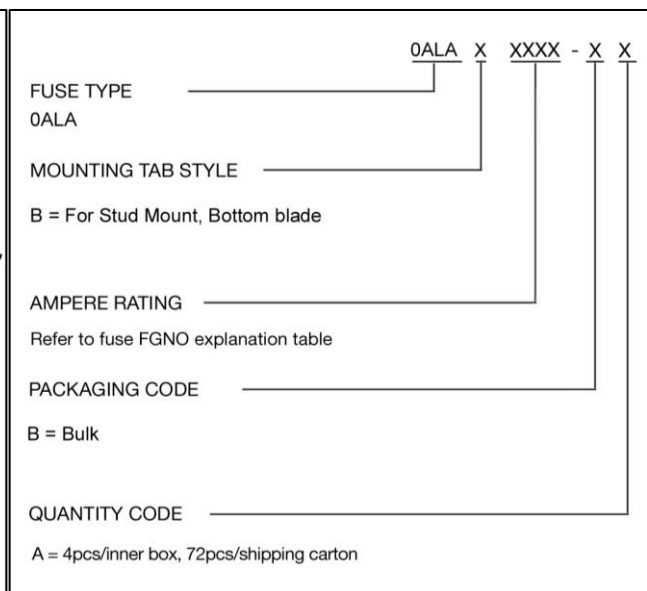
0ALAB=0ALAB; [XXXX]=Ampere Rating; XX=See Ordering Information as below

| Amps | Bel FGNO[XXXX] |
|------|----------------|
| 150 | K150 |
| 160 | K160 |
| 200 | K200 |
| 250 | K250 |

Mechanical Dimensions



Ordering Information



Packaging

| Packaging Option | Quantity | Packaging Code |
|------------------|---------------------------------------|----------------|
| Bulk | 4pcs/inner box, 72pcs/shipping carton | BA |



Specifications subject to change without notice

Bel Fuse Inc.
300 Executive Drive, Suite 300,
West Orange, NJ 07052 USA

+1 201.432.0463
Bel.US.CS@belf.com
belfuse.com/circuit-protection