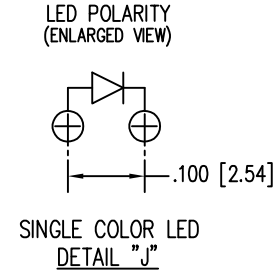
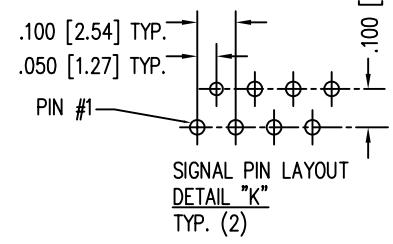
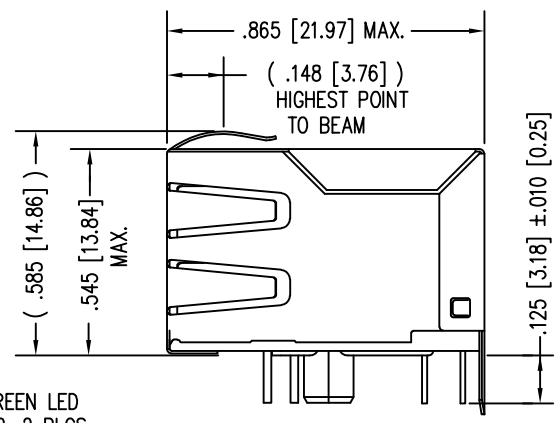
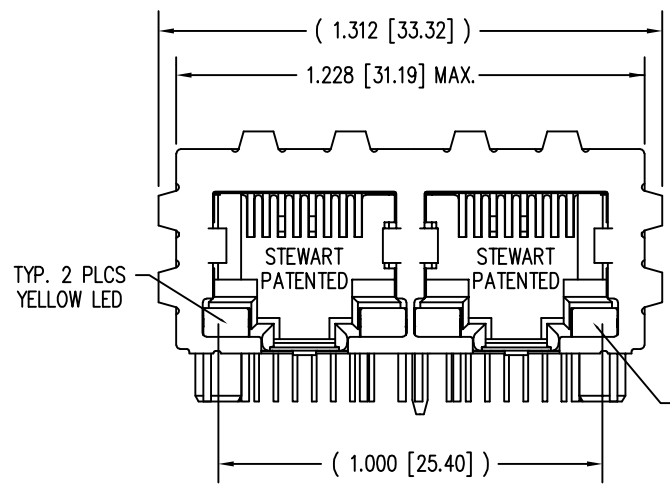
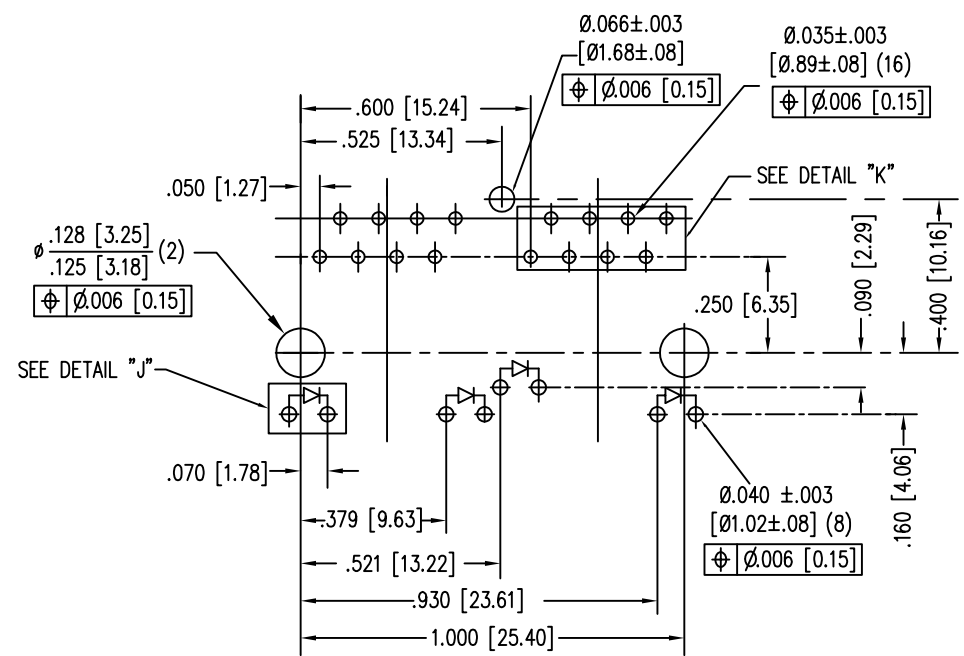
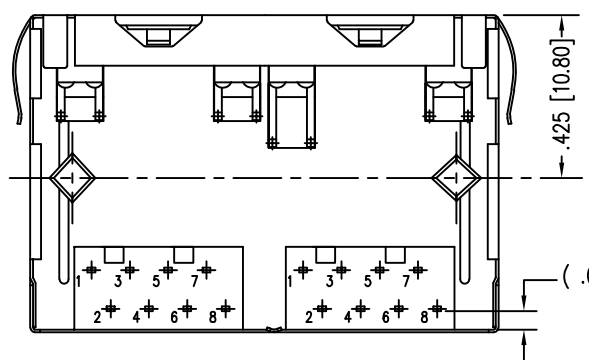


DATE	REV	ECN	APP'D. BY
10-6-16	B1	10782	TRM
8-25-17	B2	11071	TRM
2-05-18	B3	11192	DHG



LED SPECIFICATIONS			
STANDARD LED	FORWARD VOLTAGE (MAX)	* FORWARD VOLTAGE (TYP)	WAVELENGTH
YELLOW	2.5 V	2.1 V	590 nm
GREEN	2.5 V	2.2 V	565 nm

* WITH A FORWARD CURRENT OF 20 mA (TYP)

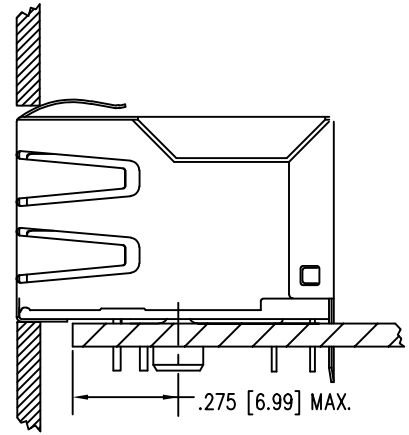
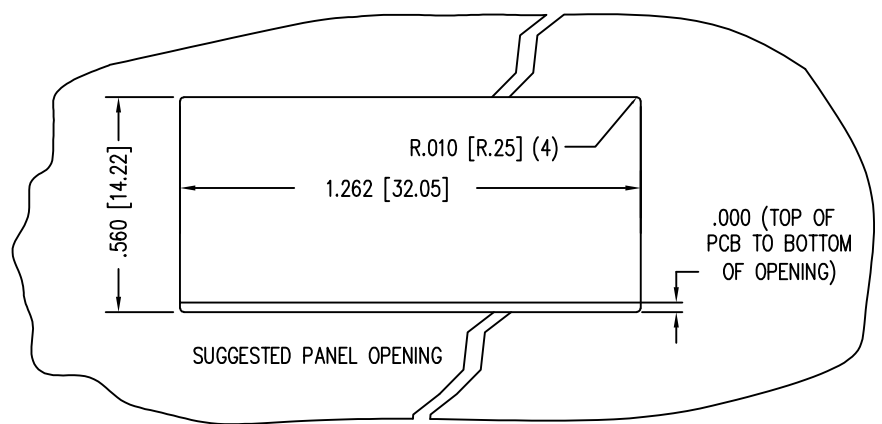


P.C.B. RECOMMENDED HOLE LAYOUT
SEEN FROM COMPONENT SIDE
ALL CENTERLINE DIMENSIONS ARE BASIC.

NOTES:

- CONNECTOR MATERIALS:
HOUSING: THERMOPLASTIC UL94 V-0
CONTACTS/SHIELD: COPPER ALLOY
SHIELD PLATING: NICKEL OR "REFLOW" TIN
CONTACT PLATING: SELECTIVE GOLD IN CONTACT AREA
SEE CHART FOR PART NUMBER
- RATED AT MAX. 260°C FOR MAX. 10 SECS.
- PRODUCT DESIGNED FOR CATEGORY 5 APPLICATIONS.
- DIMENSIONS AND TOLERANCES COMPLY WITH TIA-1096 STANDARD.
- FOR PRODUCT SPECIFICATIONS SEE PRO22-01.
- THE SUGGESTED PANEL OPENING IS INTENDED TO GIVE USER THE ABILITY TO HAVE REASONABLE JACK/PANEL CLEARANCES, YET MAINTAIN GROUNDING CAPABILITY. THESE VARIABLES CAN BE ADJUSTED IN EITHER DIRECTION BUT MAY CARRY SOME CONSEQUENCES IN THE FORM OF LOWER MATING FORCES OR TIGHTER ASSEMBLY TOLERANCES.

30 MICRO-INCHES [0.76um]	SS74800-076F	PACKAGED ON TAPE & REEL
30 MICRO-INCHES [0.76um]	SS74800-001F	
CONTACT PLATING IN MATING AREA	PART NUMBER	



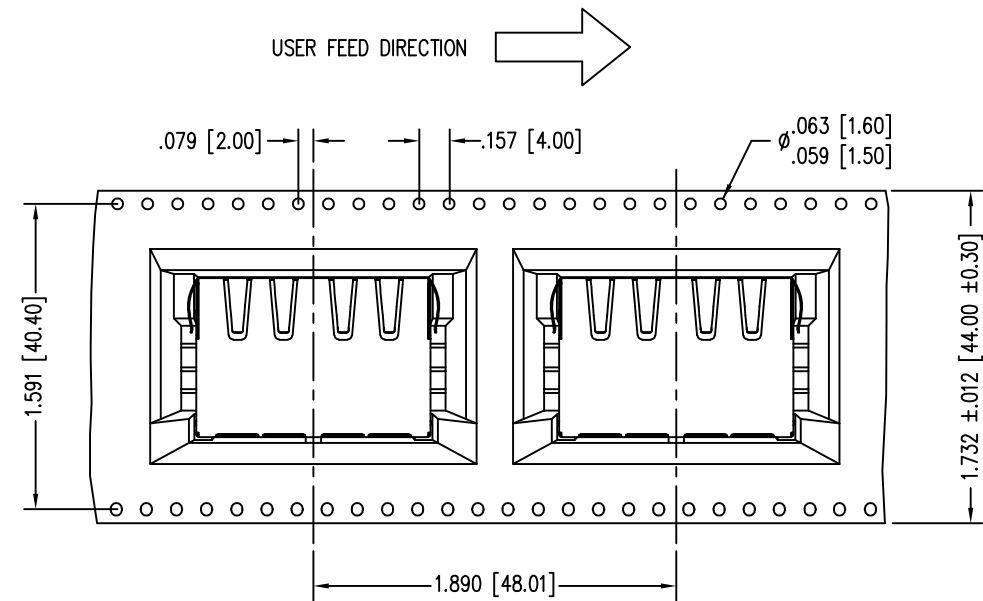
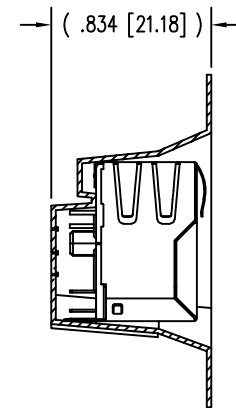
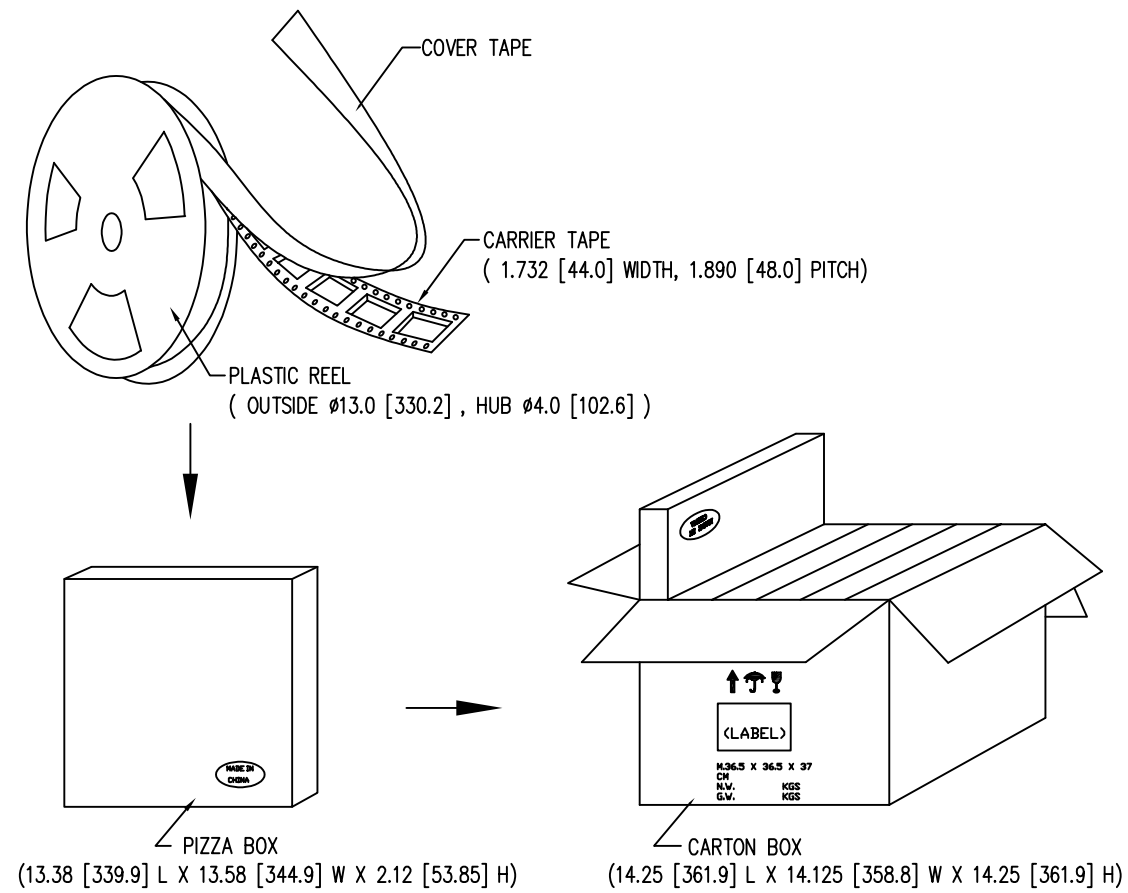
THIRD ANGLE PROJECTION	
DO NOT SCALE DRAWING DRAWING IS SUBJECT TO CHANGE WITHOUT NOTICE	
DIMENSIONS: INCHES [METRIC]	
UNLESS OTHERWISE SPECIFIED TOLERANCES ARE ±.005 [0.13] ANGLES ARE ± 1°	
SHEET NO.	1 OF 2



1118 Susquehanna Trail South
Glen Rock, PA 17327-9199
(717) 235-7512
<http://www.stewartconnector.com>

TITLE: EIGHT CONTACT, EIGHT POSITION EMI-RFI ONE PIECE SHIELDED ESD GROUND 2 PORT PCB HARMONICA CAT 5 LED JACK PAC			
DRN BY:	RVO	DATE:	03-29-05
APPD BY:	RGC	DATE:	03-29-05
DWG NO.	CT740116F	REV.	B3

THIS DRAWING AND THE SUBJECT MATTER SHOWN THEREON ARE CONFIDENTIAL AND THE PROPRIETARY PROPERTY OF STEWART CONNECTOR AND SHALL NOT BE REPRODUCED, COPIED, OR USED IN ANY MANNER WITHOUT PRIOR WRITTEN CONSENT OF STEWART CONNECTOR. ONE OR MORE U.S. PATENTS MAY APPLY TO THIS PRODUCT. FOR DETAILS, PLEASE VISIT: [HTTP://BELFUSE.COM/STEWART/STEWART_PATENTS/](http://BELFUSE.COM/STEWART/STEWART_PATENTS/)



PART ORIENTATION & FEEDING DIRECTION.
PART SS74800-076F

NOTES:

1. LEAVE 48 INCHES COVER TAPE AND 4 EMPTY POCKETS AT TRAILER.
2. LEAVE 24 INCHES COVER TAPE AND 8 EMPTY POCKETS AT LEADER.
3. PACK 63 PIECES PER REEL.
4. EACH PIZZA BOX CONTAINS ONE (1) REEL.
(63 PARTS IN EACH PIZZA BOX)
5. EACH CARTON BOX CONTAINS SIX (6) PIZZA BOXES.
(378 PARTS IN EACH CARTON BOX)

RoHS



THIRD ANGLE PROJECTION 	 11118 Susquehanna Trail South Glen Rock, PA 17327-9199 (717) 235-7512 http://www.stewartconnector.com
DO NOT SCALE DRAWING DRAWING IS SUBJECT TO CHANGE WITHOUT NOTICE	TITLE: EIGHT CONTACT, EIGHT POSITION EMI-RFI ONE PIECE SHIELDED ESD GROUNDED 2 PORT PCB HARMONICA CAT 5 LED JACK PAC
DIMENSIONS: INCHES [METRIC] UNLESS OTHERWISE SPECIFIED TOLERANCES ARE ±.005 [0.13] ANGLES ARE ± 1°	DRN BY: AWS DATE 5-2-11 APPD BY: TRM DATE 5-2-11
SHEET NO. 2 OF 2	DWG NO. CT740116F REV. B3