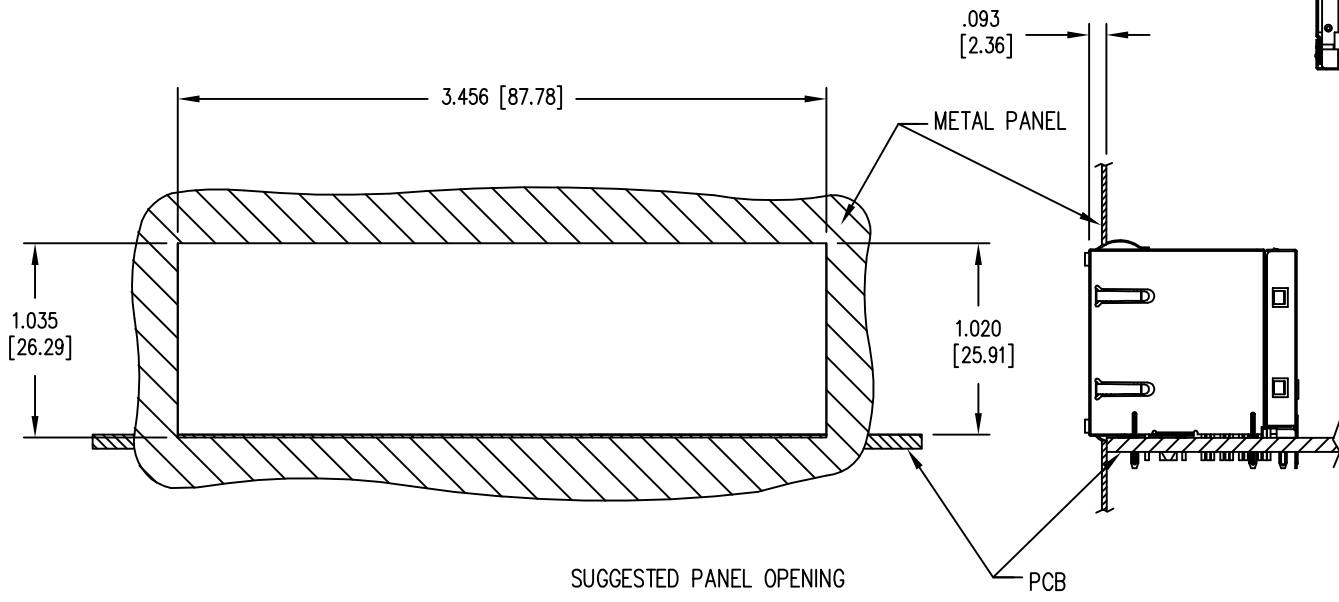
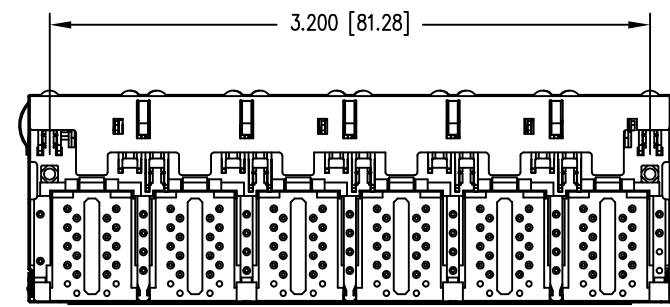
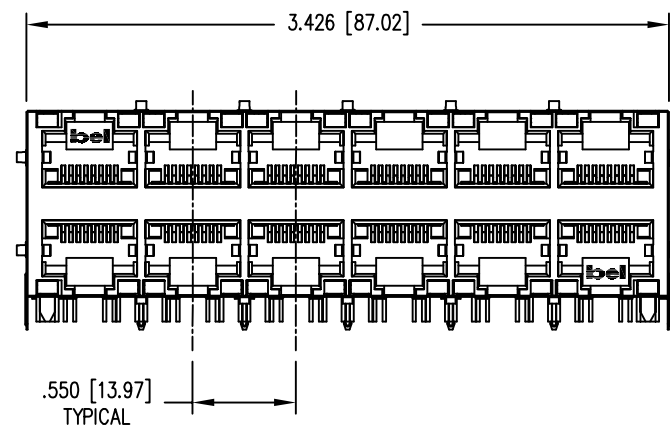
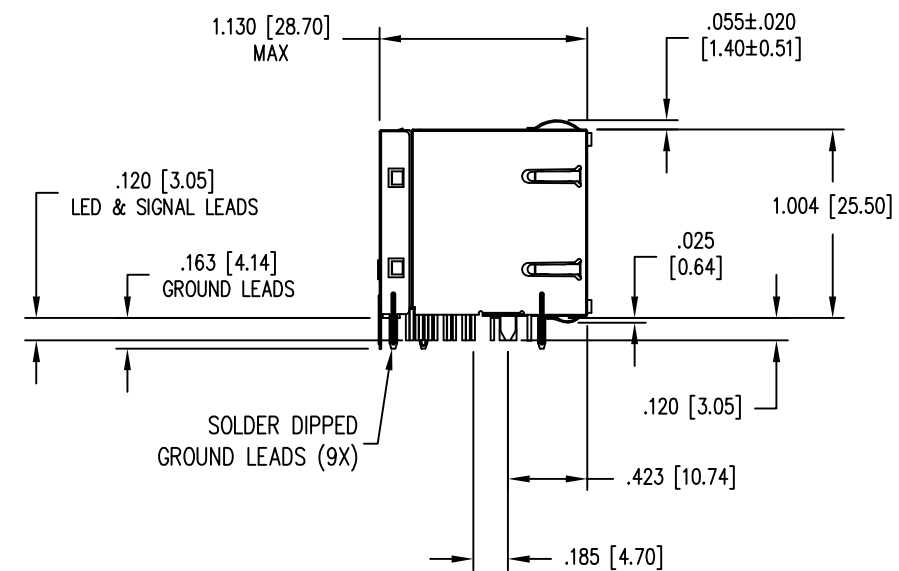
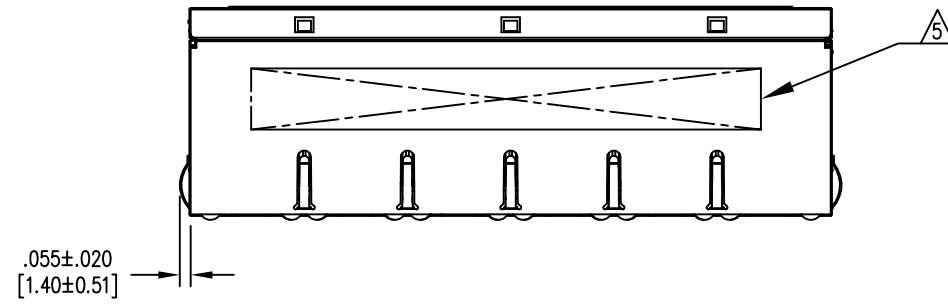


DATE	REV	ECN	APP'D. BY
3-20-16	A0	10631	ADB
7-19-16	A1	10720	ADB
9-14-16	A2	10758	ADB



- NOTES:
- CONNECTOR MATERIALS:  
HOUSING: THERMOPLASTIC UL94 V-0  
CONTACTS/SHIELD: COPPER ALLOY  
SHIELD PLATING: NICKEL OR "REFLOW" TIN  
CONTACT PLATING: SELECTIVE GOLD OR EQUIVALENT IN THE CONTACT AREA  
SEE CHART FOR PART NUMBER
  - FOR PRODUCT SPECIFICATIONS SEE PR022-01.
  - DIMENSIONS AND TOLERANCES COMPLY WITH TIA-1096 STANDARD.
  - THE SUGGESTED PANEL OPENING IS INTENDED TO GIVE USER THE ABILITY TO HAVE REASONABLE JACK/PANEL CLEARANCES, YET MAINTAIN GROUNDING CAPABILITY. THESE VARIABLES CAN BE ADJUSTED IN EITHER DIRECTION BUT MAY CARRY SOME CONSEQUENCES IN THE FORM OF LOWER MATING FORCES OR TIGHTER ASSEMBLY TOLERANCES.
- ⚠ MARK PART WITH MFG LOGO, MFG NAME, PART NUMBER, AND DATE CODE.

50 MICRO-INCHES [1.27um]	SS-74500-014
CONTACT PLATING IN MATING AREA	PART NUMBER

THIRD ANGLE PROJECTION

DO NOT SCALE DRAWING  
DRAWING IS SUBJECT TO CHANGE WITHOUT NOTICE

DIMENSIONS: INCHES [METRIC]

UNLESS OTHERWISE SPECIFIED  
TOLERANCES ARE ±.010 [0.25]  
ANGLES ARE ± 1°

SHEET NO. 1 OF 3

1118 Susquehanna Trail South  
Glen Rock, PA 17327-9199  
(717) 235-7512  
<http://www.stewartconnector.com>

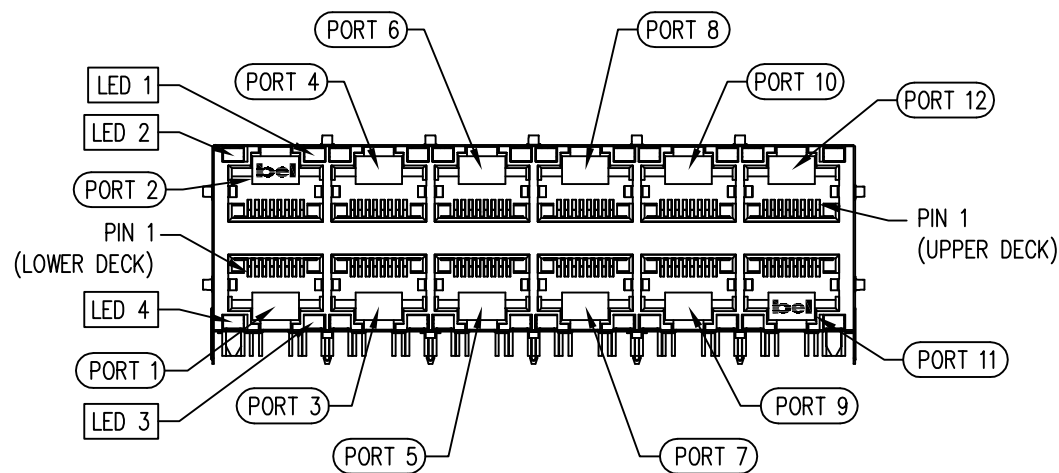
TITLE: 2X6 SHIELDED STACKJACK WITH ALL GREEN UPPER AND LOWER LEADS

DRN BY: ADB	DATE: 7-27-15
APPD BY: DHG	DATE: 7-27-15
DWG NO. CT740215	REV. A2

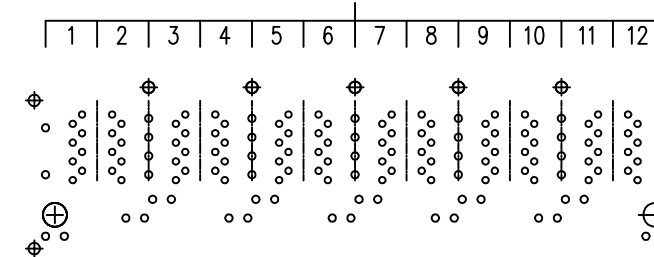
THIS DRAWING AND THE SUBJECT MATTER SHOWN THEREON ARE CONFIDENTIAL AND THE PROPRIETARY PROPERTY OF STEWART CONNECTOR AND SHALL NOT BE REPRODUCED, COPIED, OR USED IN ANY MANNER WITHOUT PRIOR WRITTEN CONSENT OF STEWART CONNECTOR. ONE OR MORE U.S. PATENTS MAY APPLY TO THIS PRODUCT. FOR DETAILS, PLEASE VISIT: [HTTP://BELFUSE.COM/STEWART/STEWART\\_PATENTS/](http://BELFUSE.COM/STEWART/STEWART_PATENTS/)



PORT ASSIGNMENT  
(FRONT VIEW OF JACK)



PORT ASSIGNMENT  
(PCB - COMPONENT SIDE VIEW)



LED INFORMATION

LED 2 & 4 POLARITY			LED 1 & 3 POLARITY		
PIN 9	PIN 10	COLOR	PIN 11	PIN 12	COLOR
+	-	GREEN	+	-	GREEN

LED 1, 2, 3, & 4

VF (FORWARD VOLTAGE)

IF=20mA

GREEN

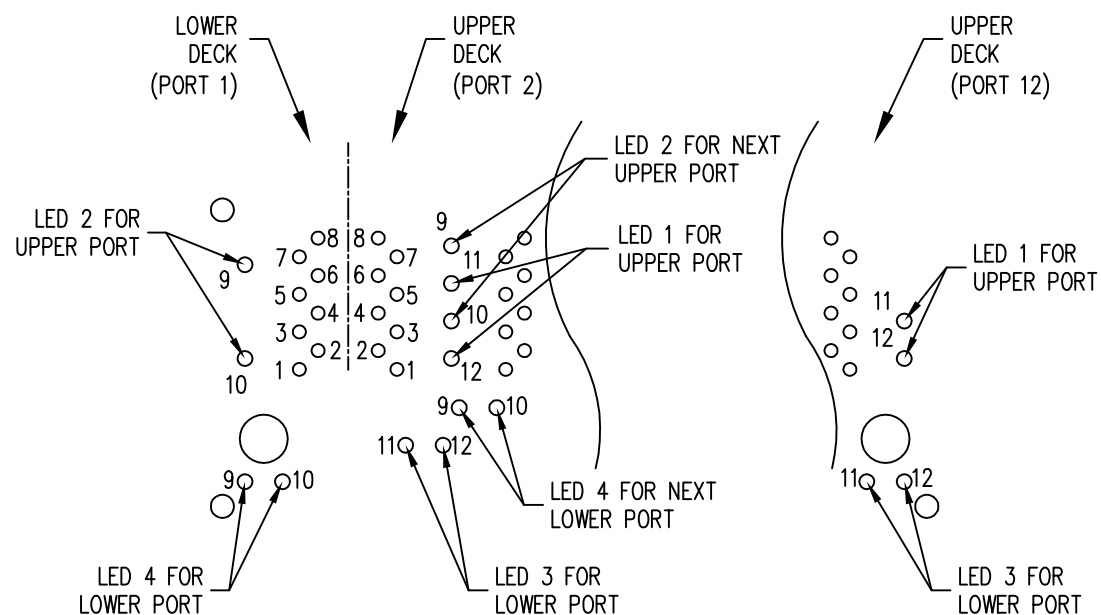
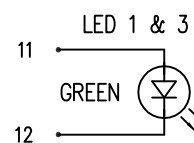
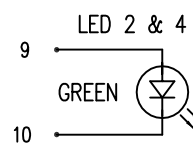
2.2V TYP.

λD (DOMINANT WAVELENGTH)

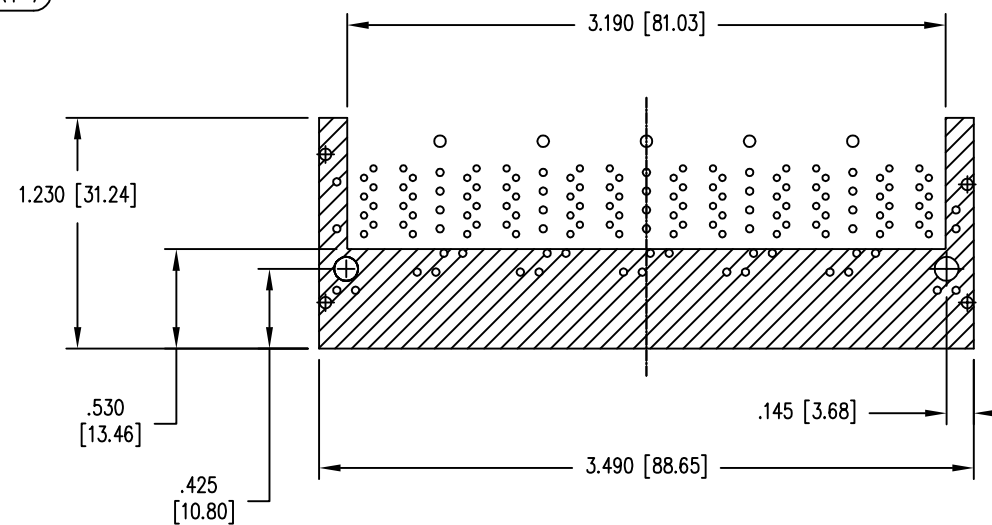
IF=20mA

GREEN

570nm TYP.



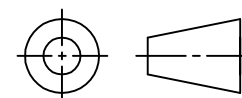
PIN-OUT INFORMATION  
(PCB - COMPONENT SIDE VIEW)



THE SHADED AREA ON THE CUSTOMER BOARD IS  
RECOMMENDED TO BE CLEAR OF ANY VIA HOLE  
OR COMPONENT PAD.



THIRD ANGLE PROJECTION



1118 Susquehanna Trail South  
Glen Rock, PA 17327-9199  
(717) 235-7512

<http://www.stewartconnector.com>

DO NOT SCALE DRAWING  
DRAWING IS SUBJECT TO  
CHANGE WITHOUT NOTICE

TITLE: 2X6 SHIELDED STACKJACK  
WITH ALL GREEN UPPER AND LOWER LEDS

DIMENSIONS: INCHES [METRIC]  
UNLESS OTHERWISE SPECIFIED  
TOLERANCES ARE ±.010 [0.25]  
ANGLES ARE ± 1°

THIS DRAWING AND THE SUBJECT MATTER SHOWN THEREON  
ARE CONFIDENTIAL AND THE PROPRIETARY PROPERTY OF  
STEWART CONNECTOR AND SHALL NOT BE REPRODUCED,  
COPIED, OR USED IN ANY MANNER WITHOUT PRIOR WRITTEN  
CONSENT OF STEWART CONNECTOR. ONE OR MORE U.S. PATENTS  
MAY APPLY TO THIS PRODUCT. FOR DETAILS, PLEASE  
VISIT: [HTTP://BELFUSE.COM/STEWART/STEWART\\_PATENTS/](http://BELFUSE.COM/STEWART/STEWART_PATENTS/)

DRN BY: ADB DATE 7-27-15

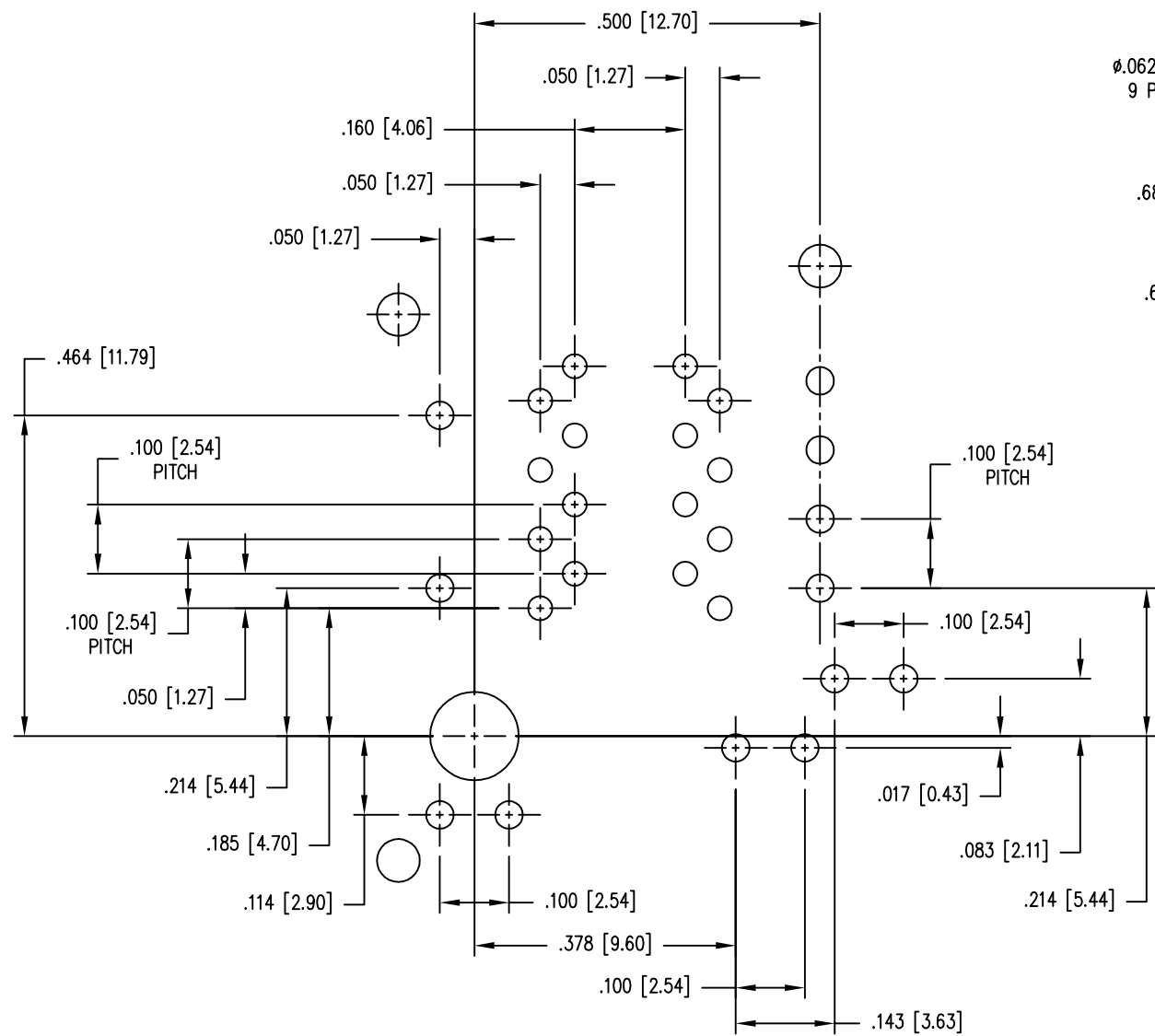
APPD BY: DHG DATE 7-27-15

DWG NO. CT740215 REV. A2

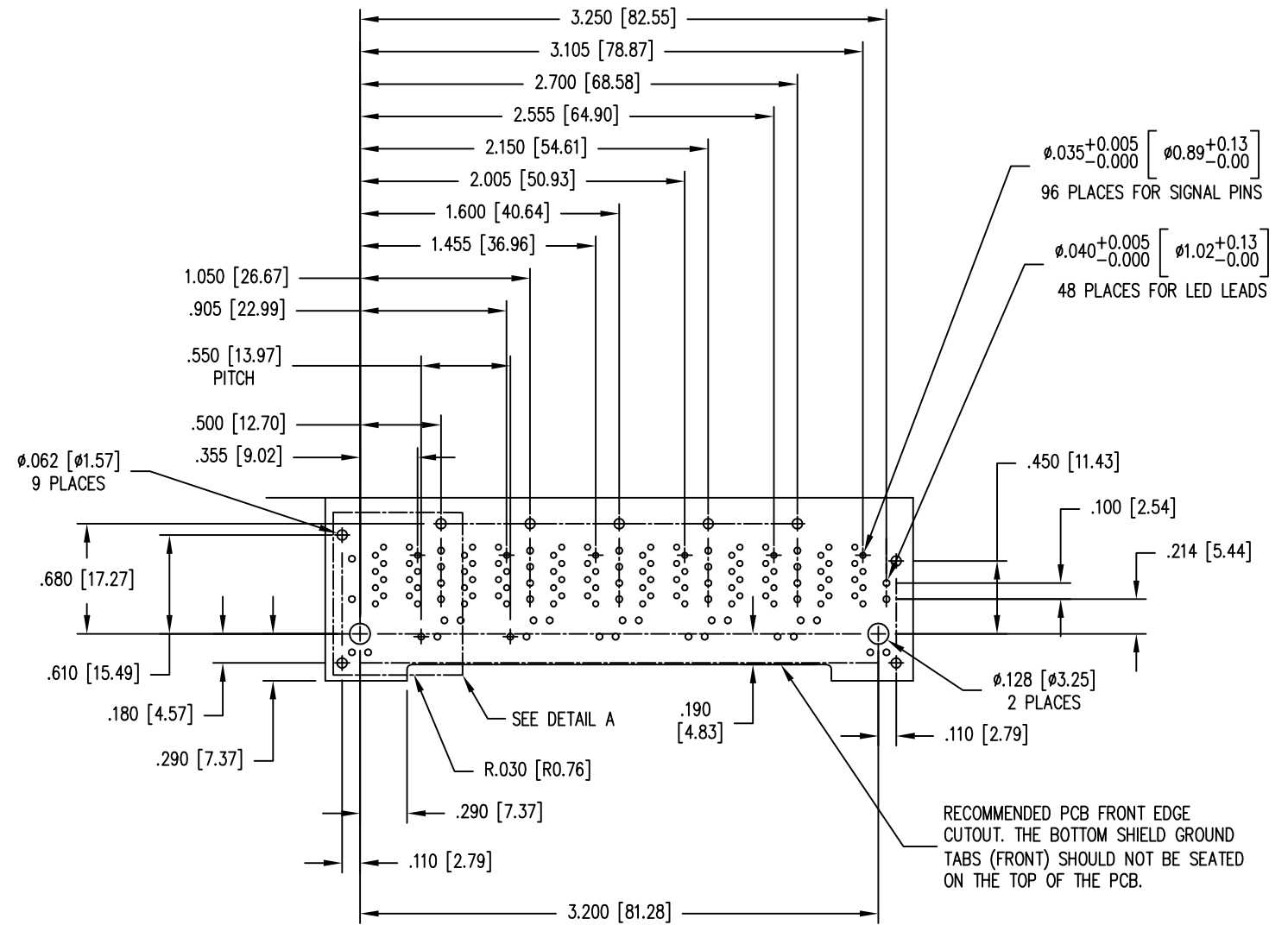
SHEET NO. 2 OF 3

B

A



DETAIL A - TYPICAL HOLE LAYOUT  
SCALE 4X

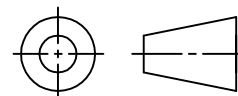


P.C.B. RECOMMENDED HOLE LAYOUT  
(COMPONENT SIDE VIEW)

ALL CENTERLINE DIMENSIONS ARE BASIC.

ALL HOLE POSITIONS ARE  $\phi \pm 0.006$  [0.15]

THIRD ANGLE PROJECTION



1118 Susquehanna Trail South  
Glen Rock, PA 17327-9199  
(717) 235-7512

<http://www.stewartconnector.com>

DO NOT SCALE DRAWING  
DRAWING IS SUBJECT TO  
CHANGE WITHOUT NOTICE

TITLE: 2X6 SHIELDED STACKJACK  
WITH ALL GREEN UPPER AND LOWER LEADS

DIMENSIONS: INCHES [METRIC]  
UNLESS OTHERWISE SPECIFIED  
TOLERANCES ARE  $\pm 0.010$  [0.25]  
ANGLES ARE  $\pm 1^\circ$

THIS DRAWING AND THE SUBJECT MATTER SHOWN THEREON  
ARE CONFIDENTIAL AND THE PROPRIETARY PROPERTY OF  
STEWART CONNECTOR AND SHALL NOT BE REPRODUCED,  
COPIED, OR USED IN ANY MANNER WITHOUT PRIOR WRITTEN  
CONSENT OF STEWART CONNECTOR. ONE OR MORE U.S. PATENTS  
MAY APPLY TO THIS PRODUCT. FOR DETAILS, PLEASE  
VISIT: [HTTP://BELFUSE.COM/STEWART/STEWART\\_PATENTS/](http://BELFUSE.COM/STEWART/STEWART_PATENTS/)

DRN BY:	ADB	DATE	7-27-15
APPD BY:	DHG	DATE	7-27-15
DWG NO.	CT740215	REV.	A2

SHEET NO.  
3 OF 3

2

1

AutoCAD