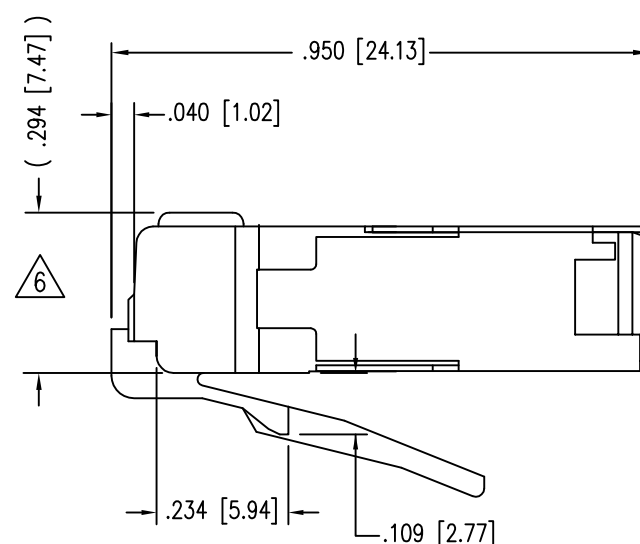
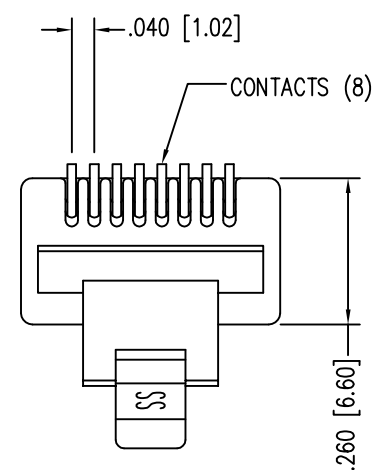
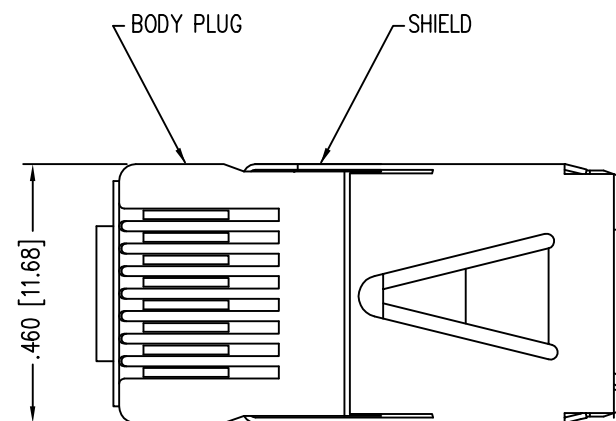


| DATE | REV | ECN | APP'D. BY |
|---------|-----|-------|-----------|
| 1-7-15 | A2 | 10174 | TRM |
| 3-16-16 | A3 | 10621 | TRM |
| | | | |
| | | | |



NOTES:

- 1- PLUG KIT CONSISTS OF :
PRE-INSERTED PLUG HOUSING & SHIELD
- 2- MATERIALS :
FRONT HOUSING PLASTIC : CLEAR POLYCARBONATE, UL 94-V0
SHIELD : TIN PLATED BRASS
CONTACTS : PHOSPHOR BRONZE, SELECTIVE GOLD PLATING
- 3- CONTACTS TERMINATE STRANDED & SOLID CONDUCTORS UP TO .037 [0.94] OUTSIDE DIAMETER OF INSULATION.
- 4- FOR PLUG SPECIFICATION SEE PRO26-01.
- 5- TOLERANCES COMPLY WITH F.C.C. DIMENSION REQUIREMENTS.
- 6 TERMINATED PLUG HEIGHT: .237 [6.02] ±.005 [0.13]

| | | |
|--------------|--------------------------------|------------------------|
| BAGS OF 1000 | 50 MICRO-INCHES [1.27um] | 940-SP-360808-FS-B1000 |
| PACKAGE | CONTACT PLATING IN MATING AREA | PART NUMBER |

| | | |
|---|--|---|
| THIRD ANGLE PROJECTION | stewart CONNECTOR a bel group | 1118 Susquehanna Trail South Glen Rock, PA 17327-9199 (717) 235-7512 http://www.stewartconnector.com |
| DO NOT SCALE DRAWING DRAWING IS SUBJECT TO CHANGE WITHOUT NOTICE | TITLE: 8 X 8 SHIELDED PLUG | |
| DIMENSIONS: INCHES [METRIC] UNLESS OTHERWISE SPECIFIED TOLERANCES ARE ±.005 [0.13] ANGLES ARE ± 1° | THIS DRAWING AND THE SUBJECT MATTER SHOWN THEREON ARE CONFIDENTIAL AND THE PROPRIETARY PROPERTY OF STEWART CONNECTOR AND SHALL NOT BE REPRODUCED, COPIED, OR USED IN ANY MANNER WITHOUT PRIOR WRITTEN CONSENT OF STEWART CONNECTOR. ONE OR MORE U.S. PATENTS MAY APPLY TO THIS PRODUCT. FOR DETAILS, PLEASE VISIT: HTTP://BELFUSE.COM/STEWART/STEWART_PATENTS/ | DRN BY: JAF DATE: 2-1-06 APPD BY: JM DATE: 2-1-06 DWG NO. CT360176 REV. A3 |
| SHEET NO. 1 OF 1 | | |

