

THE INFORMATION CONTAINED HEREIN IS CONSIDERED "PROPRIETARY" TO BEL FUSE INC. AND SHALL NOT BE COPIED, REPRODUCED OR DISCLOSED WITHOUT THE WRITTEN APPROVAL OF BEL FUSE INC.

PRELIMINARY

RoHS  
2002/95/EC



ELECTRICAL CHARACTERISTICS @ 25°C

URNS RATIO

TP1	1CT : 1CT ±3%
TP2	1CT : 1CT ±3%
TP3	1CT : 1CT ±3%
TP4	1CT : 1CT ±3%

OCL @ 100kHz/100mVRMS

8mA DC BIAS 350 μH MIN.

INS. LOSS

1MHz TO 100MHz -1.1 dB MAX

RET. LOSS (MIN)

1MHz-40MHz -18 dB  
40MHz-100MHz -12+20LOG(F/80MHz) dB

CM TO CM REJ

1MHz - 100MHz -30 dB MIN

CROSSTALK (TX - RX)

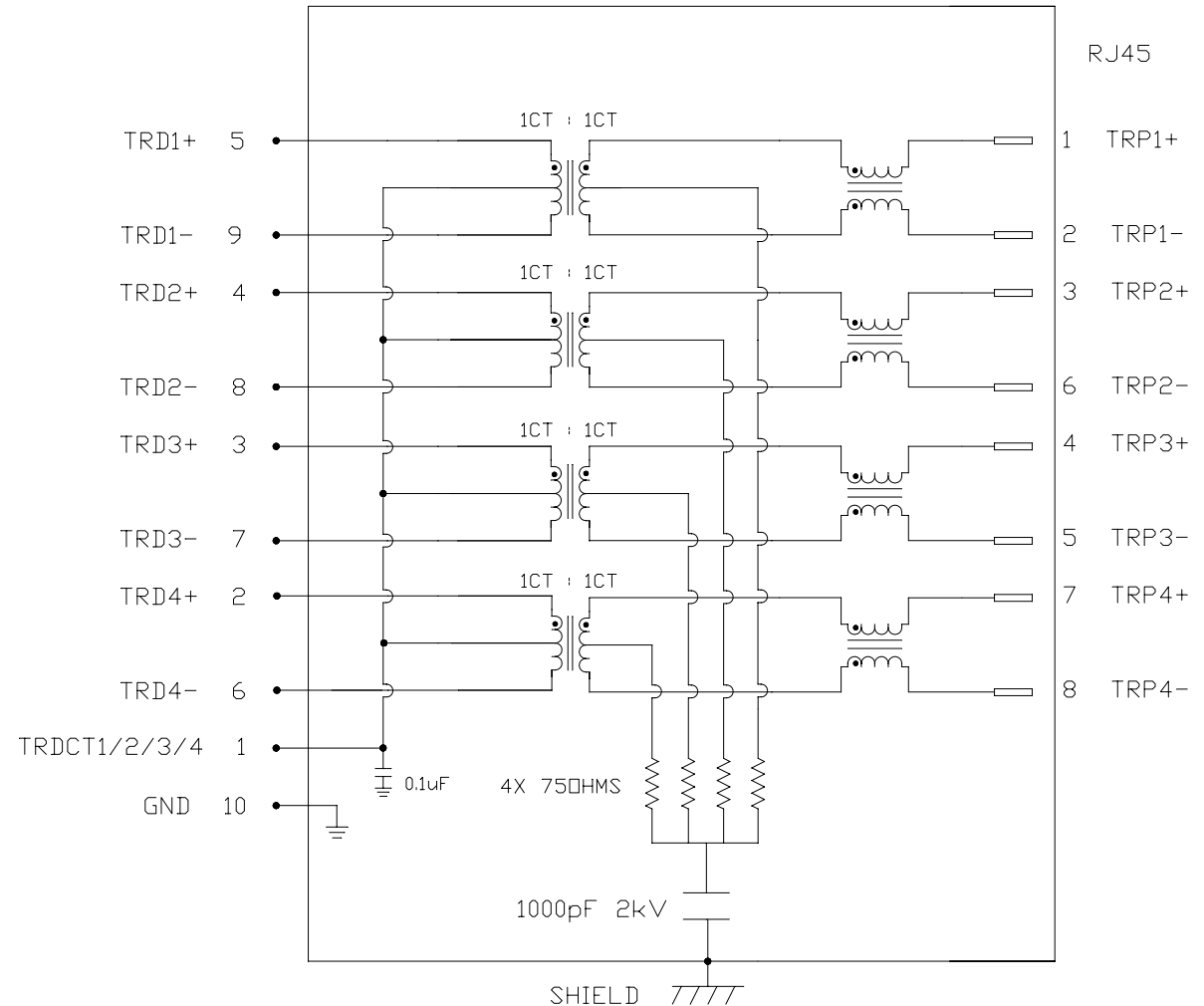
1MHz - 30MHz -40 dB MIN  
30MHz - 60MHz -30 dB MIN

HIPOT (Isolation Voltage): 1500 Vrms

100% OF PRODUCTION TESTED TO COMPLY WITH IEEE 802.3 ISOLATION REQUIREMENTS.

OPERATING TEMPERATURE: -40 TO +85°C

SCHEMATIC



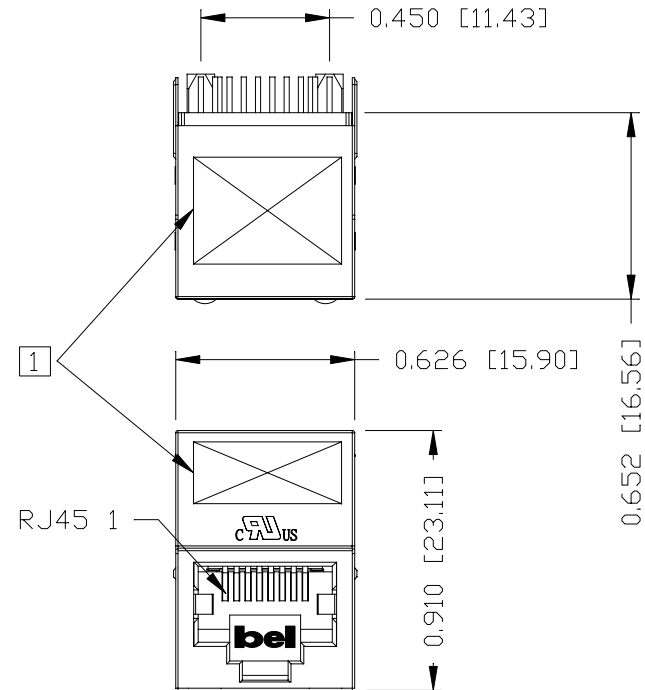
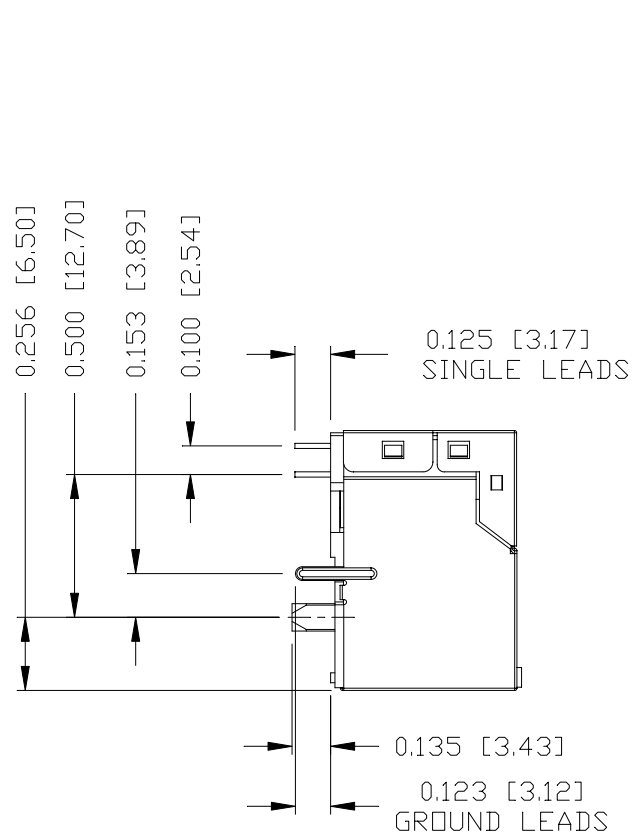
RJ45

ORIGINATED BY	DATE	TITLE	PART NO. / DRAWING NO.	STANDARD DIM. TOL. IN INCH	[ ] METRIC DIM. AS REFERENCE	 COMPONENTS FOR A CONNECTED PLANET
WC CHOW	08-01-07	gigabit MagJack® (8 cores, Vertical, Ext. Temp)	V891-1XX1-Y5	.X	UNIT : INCH [mm]	
DRAWN BY	DATE		FILE NAME	.XX	SCALE : N/A	
WEIDE LEE	08-01-07		V891-1XX1-Y5_PB.DWG	.XXX	SIZE : A4	
						PAGE : 2

THE INFORMATION CONTAINED HEREIN IS CONSIDERED "PROPRIETARY" TO BEL FUSE INC. AND SHALL NOT BE COPIED, REPRODUCED OR DISCLOSED WITHOUT THE WRITTEN APPROVAL OF BEL FUSE INC.

MECHANICAL SPECIFICATION

PRELIMINARY



NOTES:

PLASTIC HOUSING: THERMOPLASTIC PBT,  
FLAMMABILITY RATING UL 94V-0  
CONTACTS: 30 MICRO-INCH HARD GOLD PLATING  
OUTPUT PINS: TIN-COATED COPPER WIRE, DIA 0.018 INCH.  
METAL SHIELD: NICKEL PLATED ON COPPER ALLOY.  
(ALL GROUND LEADS ARE SOLDER DIPPED)

JACK CAVITY CONFORMS TO FCC RULES AND REGULATIONS.

[1] MARK PART WITH MFG LOGO, MFG NAME, PART NUMBER, AND DATE CODE.

RoHS COMPLIANCE, PER EU DIRECTIVE 2002/95/EC.

UL RECOGNIZED - FILE #E196366 AND E169987.

ORIGINATED BY BILL CHEN	DATE 08-01-07	TITLE gigabit MagJack® (8 cores, Vertical, Ext. Temp)	PART NO. / DRAWING NO. V891-1XX1-Y5		STANDARD DIM. TOL. IN INCH		[ ] METRIC DIM. AS REFERENCE	
			FILE NAME V891-1XX1-Y5_PB.DWG		.X		UNIT : INCH [mm]	REV. : PB
DRAWN BY CHRIS NG	DATE 08-01-07				.XX		SCALE : N/A	SIZE : A4
					.XXX	±0.010		PAGE : 3

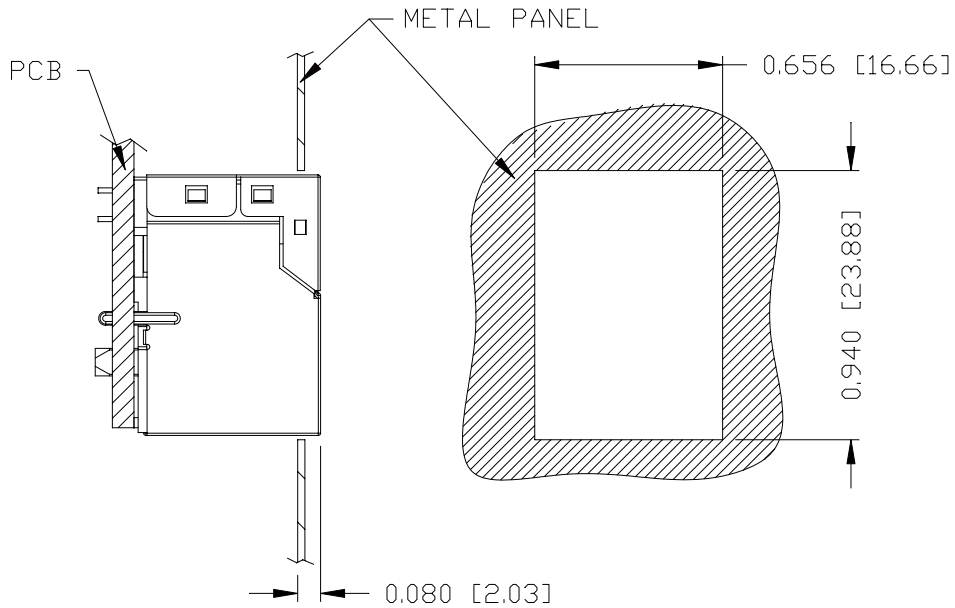


THE INFORMATION CONTAINED HEREIN IS CONSIDERED "PROPRIETARY" TO BEL FUSE INC. AND SHALL NOT BE COPIED, REPRODUCED OR DISCLOSED WITHOUT THE WRITTEN APPROVAL OF BEL FUSE INC.

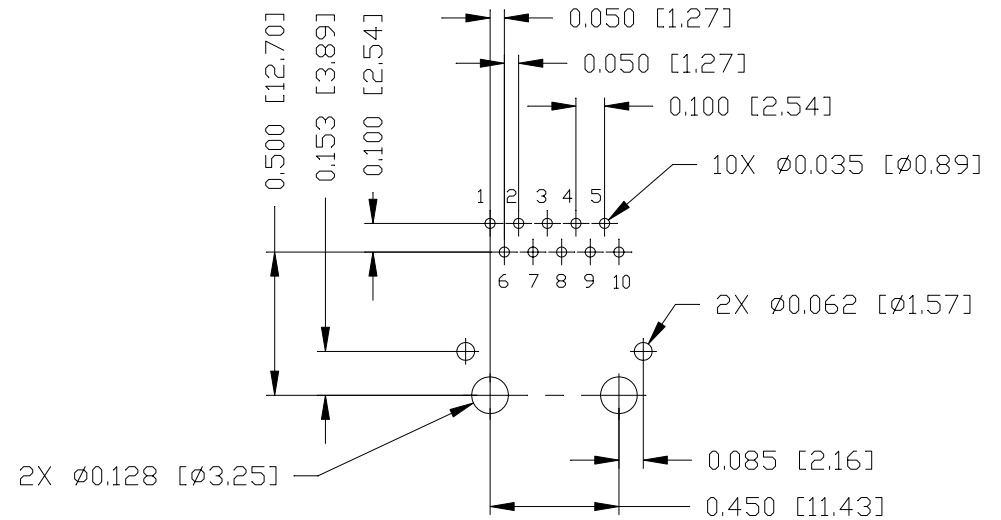
PRELIMINARY



SUGGESTED PANEL OPENING



RECOMMENDED PCB FOOTPRINT  
COMPONENT SIDE VIEW



NOTES:

THE DISTANCE OF PANEL INSIDE SURFACE RELATIVE TO FRONT SURFACE OF PART IS ONLY A SUGGESTION. IN CASE THIS DISTANCE IS DIFFERENT, THE REQUIRED PANEL OPENING DIMENSIONS CHANGE ACCORDINGLY.

PACKING INFORMATION

PACKING TRAY : 0200-9999-I3(TOP)

0200-9999-I4(BOTTOM)

PACKING QUANTITY : 55 PCS FINISHED GOODS PER TRAY  
9 TRAYS (495 PCS FINISHED GOODS) PER CARTON BOX

NOTER: CARDBOARDS ARE PLACED BETWEEN LAYERS OF PACKING TRAY INSIDE CARTON BOX  
(INCLUDE THE UPPERMOST AND LOWERMOST TRAY)

ORIGINATED BY BILL CHEN	DATE 08-01-07	TITLE gigabit MagJack® (8 cores, Vertical, Ext. Temp)	PART NO. / DRAWING NO. V891-1XX1-Y5	STANDARD DIM. TOL. IN INCH	[ ] METRIC DIM. AS REFERENCE	 COMPONENTS FOR A CONNECTED PLANET
DRAWN BY CHRIS NG	DATE 08-01-07		FILE NAME V891-1XX1-Y5_PB.DWG	.X .XX .XXX	UNIT : INCH [mm] SCALE : N/A	
				±0.004		