

THE INFORMATION CONTAINED HEREIN IS CONSIDERED "PROPRIETARY" TO BEL FUSE INC. AND SHALL NOT BE COPIED, REPRODUCED OR DISCLOSED WITHOUT THE WRITTEN APPROVAL OF BEL FUSE INC.

PRELIMINARY



ELECTRICAL CHARACTERISTICS @ 25°C

URNS RATIO

| | |
|-----|---------------|
| TP1 | 1CT : 1CT ±3% |
| TP2 | 1CT : 1CT ±3% |
| TP3 | 1CT : 1CT ±3% |
| TP4 | 1CT : 1CT ±3% |

□CL @ 100kHz/100mVRMS

8mA DC BIAS 350µH MIN.

INS. LOSS

1MHz TO 100MHz -1.1 dB MAX

RET. LOSS (MIN)

1MHz-40MHz -18 dB
 40MHz-100MHz -12+20LOG(F/80MHz) dB

CM TO CM REJ

1MHz - 100MHz -20 dB MIN

CROSSTALK (TX - RX)

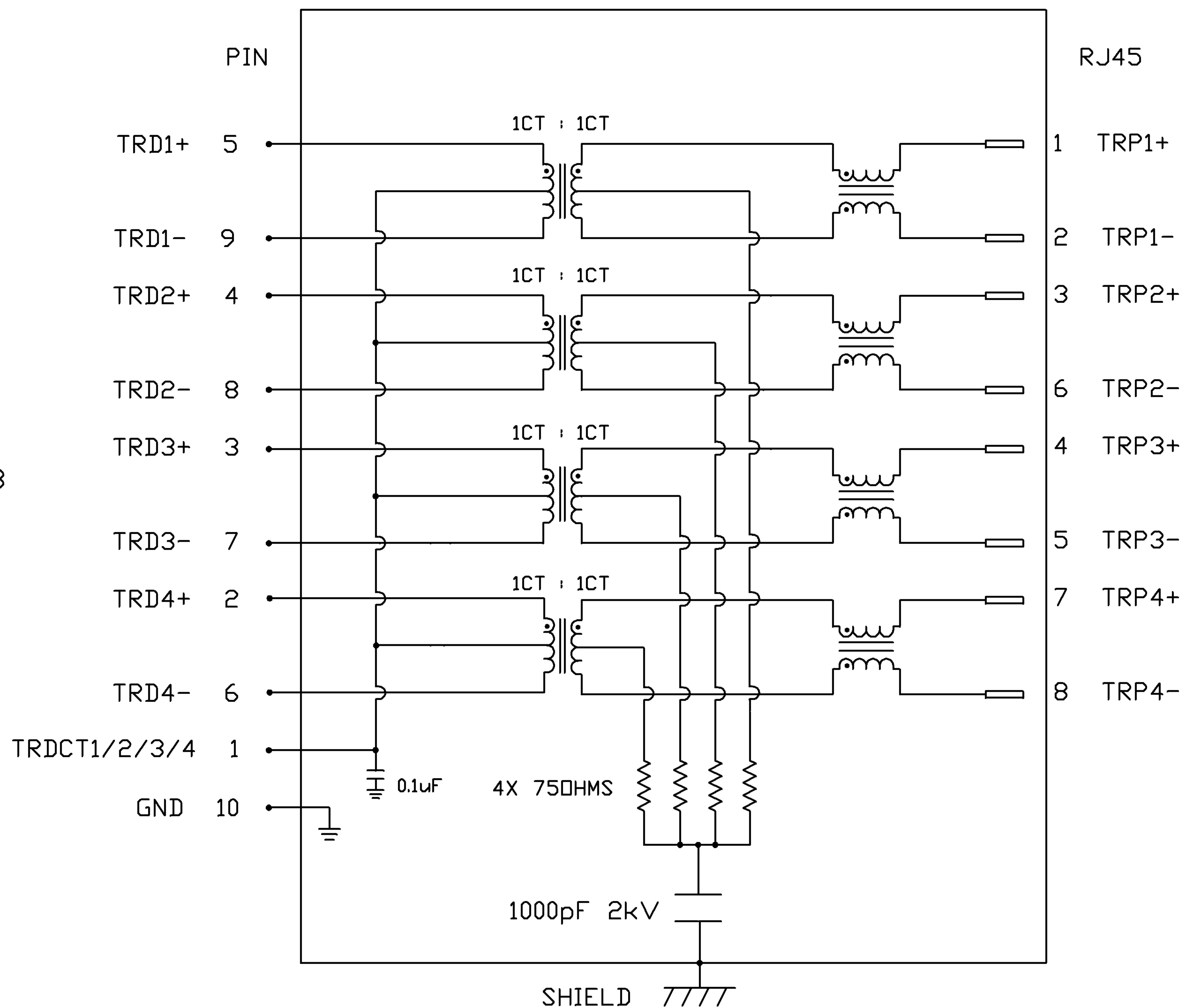
1MHz - 30MHz -40 dB MIN
 30MHz - 60MHz -30 dB MIN

HIPOT (Isolation Voltage): 1500 Vrms

100% OF PRODUCTION TESTED TO COMPLY WITH IEEE 802.3 ISOLATION REQUIREMENTS.

OPERATING TEMPERATURE: -40 TO +85°C

SCHEMATIC



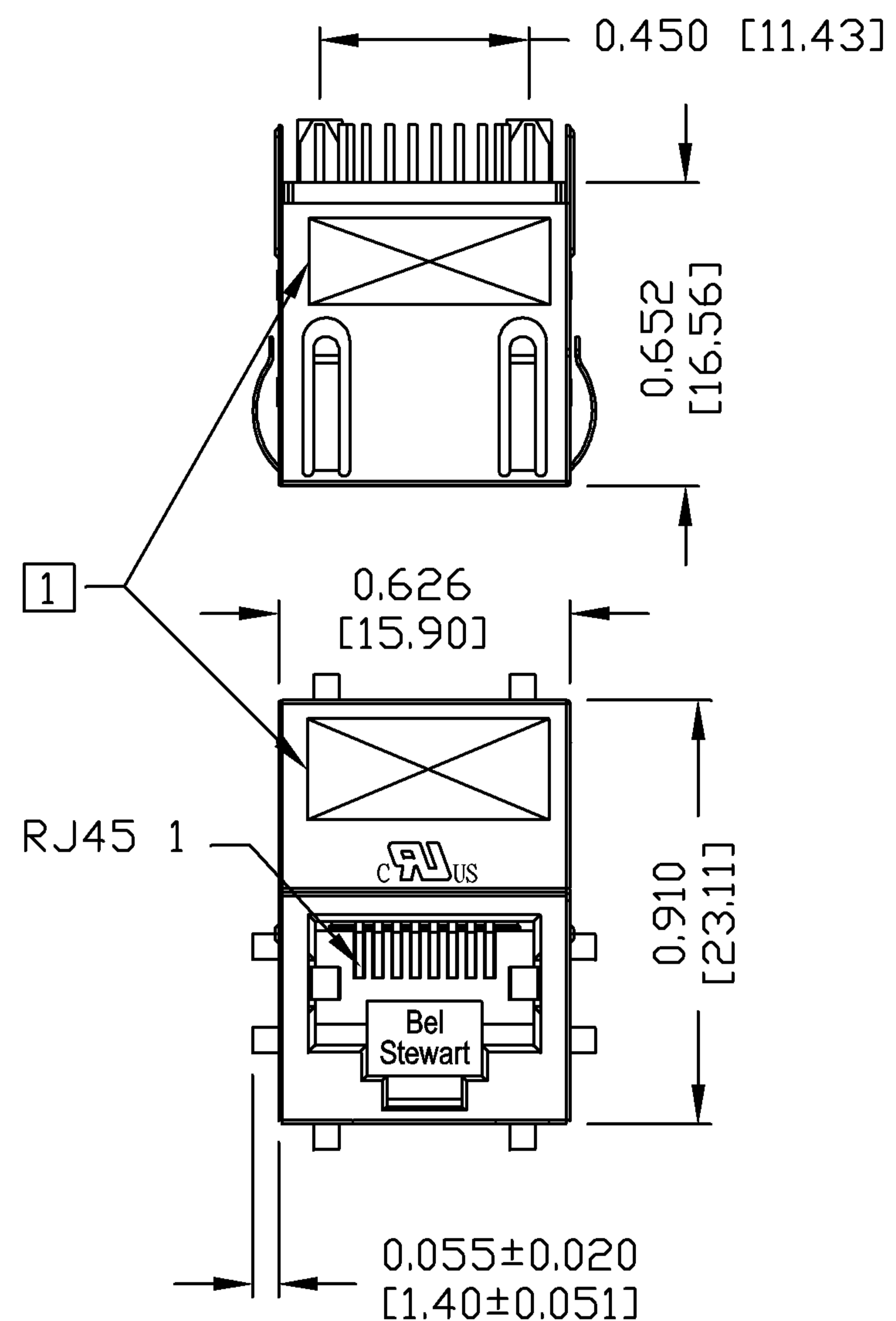
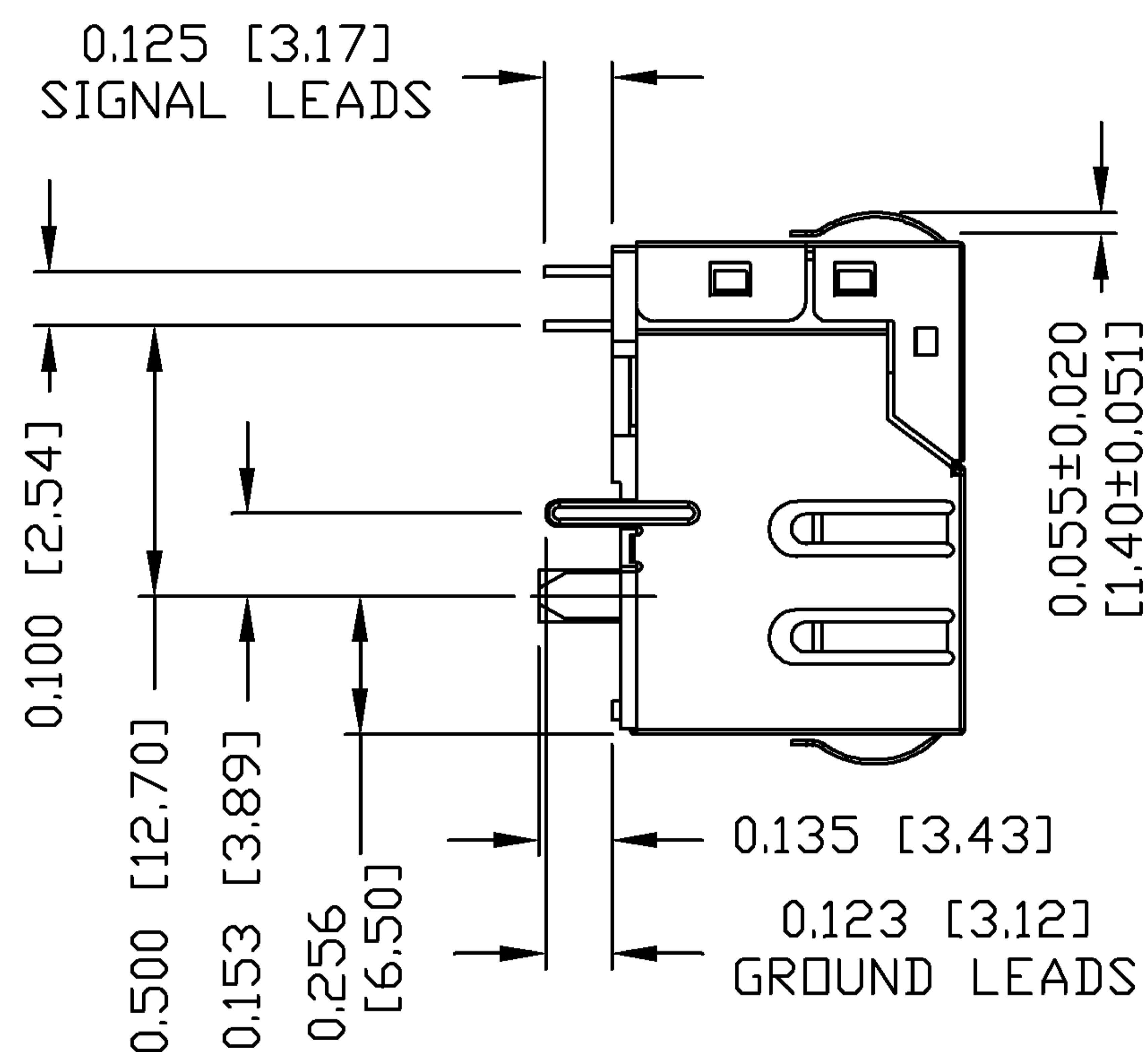
| | | | | | |
|---------------|----------|--|------------------------|----------------------------|------------------------------|
| ORIGINATED BY | DATE | TITLE | PART NO. / DRAWING NO. | STANDARD DIM. TOL. IN INCH | [] METRIC DIM. AS REFERENCE |
| CHOW WANCHUNG | 09-06-08 | gigabit MagJack® (8 cores, Vertical and Extended Temperature) | V891-1X1T-Y5 | .X | UNIT : INCH [mm] REV. : PA |
| DRAWN BY | DATE | | FILE NAME | .XX | SCALE : N/A SIZE : A4 |
| LI YONGFENG | 09-06-08 | | V891-1X1T-Y5_PA.DWG | .XXX | PAGE : 2 |



THE INFORMATION CONTAINED HEREIN IS CONSIDERED "PROPRIETARY" TO BEL FUSE INC. AND SHALL NOT BE COPIED, REPRODUCED OR DISCLOSED WITHOUT THE WRITTEN APPROVAL OF BEL FUSE INC.

MECHANICAL SPECIFICATION

PRELIMINARY



NOTES:

- PLASTIC HOUSING: THERMOPLASTIC PBT, FLAMMABILITY RATING UL 94V-0
- CONTACTS: 30 MICRO-INCH HARD GOLD PLATING
- OUTPUT PINS: TIN-COATED COPPER WIRE, DIA 0.018 INCH.
- METAL SHIELD: NICKEL PLATED ON COPPER ALLOY.
- (ALL GROUND LEADS ARE SOLDER DIPPED)

JACK CAVITY CONFORMS TO FCC RULES AND REGULATIONS.

1 MARK PART WITH MFG LOGO, MFG NAME, PART NUMBER, AND DATE CODE. RoHS COMPLIANCE, PER EU DIRECTIVE 2002/95/EC.

c US UL RECOGNIZED - FILE #E196366 AND E169987.

| | | | | | | |
|----------------------------|------------------|--|--|-------------------------------|------------------------------|---|
| ORIGINATED BY CHEN BILL | DATE 09-06-08 | TITLE gigabit MagJack® (8 cores, Vertical and Extended Temperature) | PART NO. / DRAWING NO. V891-1X1T-Y5 | STANDARD DIM. TOL. IN INCH | [] METRIC DIM. AS REFERENCE | COMPONENTS FOR A CONNECTED PLANET |
| DRAWN BY LIU QIN | DATE 09-06-08 | | FILE NAME V891-1X1T-Y5_PA.DWG | .X | UNIT : INCH [mm] | |
| | | | .XX | SCALE : N/A | SIZE : A4 | |
| | | | .XXX | ±0.010 | PAGE : 3 | |

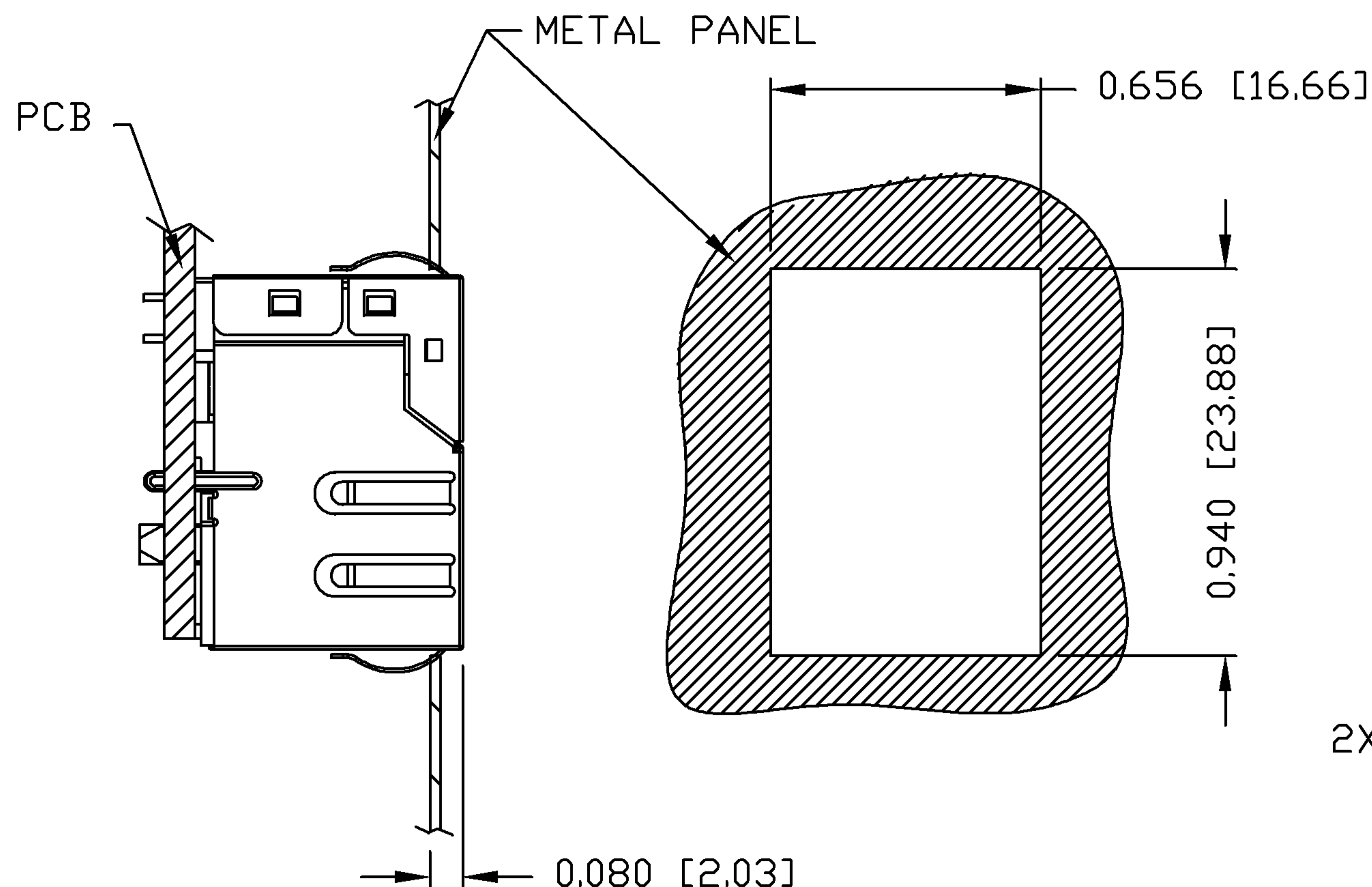
THE INFORMATION CONTAINED HEREIN IS CONSIDERED "PROPRIETARY" TO BEL FUSE INC. AND SHALL NOT BE COPIED, REPRODUCED OR DISCLOSED WITHOUT THE WRITTEN APPROVAL OF BEL FUSE INC.

PRELIMINARY

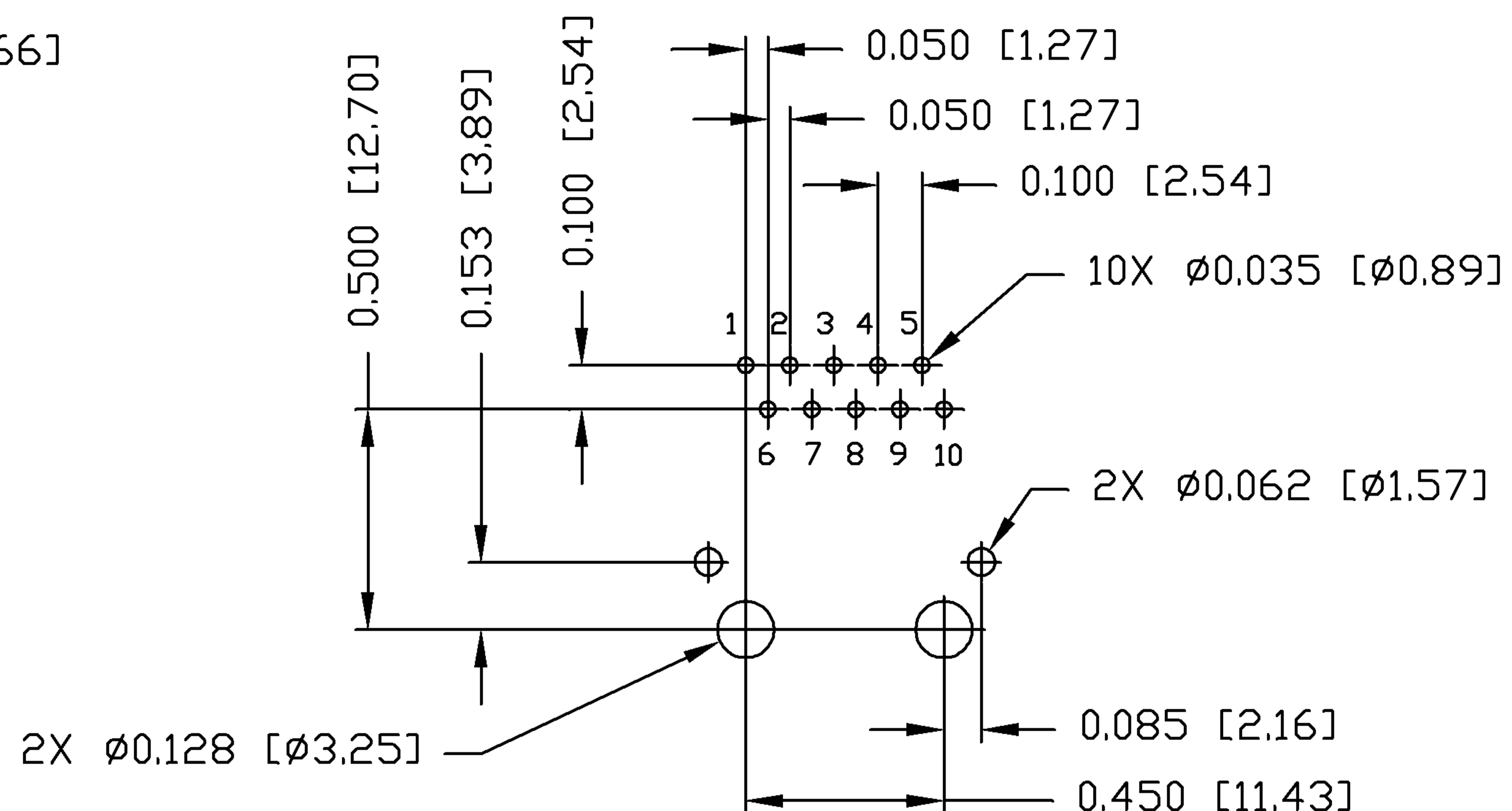
RoHS
2002/95/EC



SUGGESTED PANEL OPENING



RECOMMENDED PCB FOOTPRINT
COMPONENT SIDE VIEW



THE DISTANCE OF PANEL INSIDE SURFACE RELATIVE TO FRONT SURFACE OF PART IS ONLY A SUGGESTION. IN CASE THIS DISTANCE IS DIFFERENT, THE REQUIRED PANEL OPENING DIMENSIONS CHANGE ACCORDINGLY.

PACKING INFORMATION

PACKING TRAY : 0200-9999-I3(TOP)

0200-9999-I4(BOTTOM)

PACKING QUANTITY : 55 PCS FINISHED GOODS PER TRAY

9 TRAYS (495 PCS FINISHED GOODS) PER CARTON BOX

NOTER: CARDBOARDS ARE PLACED BETWEEN LAYERS OF PACKIING TRAY INSIDE CARTON BOX

(INCLUDE THE UPPERMOST AND LOWERMOST TRAY)

| | | | | | | |
|----------------------------|------------------|--|--|-------------------------------|------------------------------|---|
| ORIGINATED BY CHEN BILL | DATE 09-06-08 | TITLE gigabit MagJack® (8 cores, Vertical and Extended Temperature) | PART NO. / DRAWING NO. V891-1X1T-Y5 | STANDARD DIM. TOL. IN INCH | [] METRIC DIM. AS REFERENCE | COMPONENTS FOR A CONNECTED PLANET |
| DRAWN BY LIU QIN | DATE 09-06-08 | | FILE NAME V891-1X1T-Y5_PA.DWG | .X | UNIT : INCH [mm] | |
| | | | .XX | SCALE : N/A | SIZE : A4 | |
| | | | .XXX | ±0.004 | PAGE : 4 | |