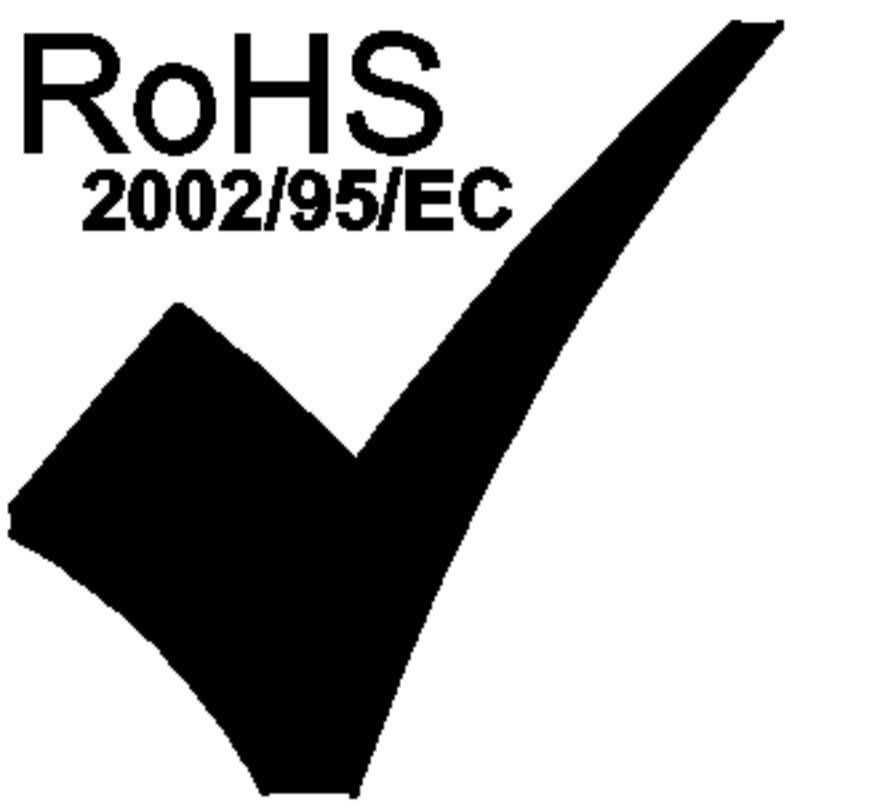


THE INFORMATION CONTAINED HEREIN IS CONSIDERED "PROPRIETARY" TO BEL FUSE INC. AND SHALL NOT BE COPIED, REPRODUCED OR DISCLOSED WITHOUT THE WRITTEN APPROVAL OF BEL FUSE INC.

LED1 POLARITY			LED2 POLARITY		
PIN 11	PIN 12	COLOR	PIN 13	PIN 14	COLOR
+	-	GREEN	+	-	GREEN

PRELIMINARY

RoHS
2002/95/EC



ELECTRICAL CHARACTERISTICS @ 25°C

URNS RATIO

TP1 1CT : 1CT ±3%
TP2 1CT : 1CT ±3%

CL @ 100kHz/100mVRMS

8mA DC BIAS 350 μH MIN.

INS. LOSS

1MHz TO 65MHz -1.1 dB MAX

RET. LOSS (MIN)

1MHz-30MHz -18 dB
30MHz-60MHz -(19-20LOG(f/30MHz)) dB
60MHz-80MHz -12 dB

CM TO CM REJ

30MHz - 100MHz -30 dB MAX
100MHz - 130MHz -20 dB MAX

CROSSTALK (TX - RX)

1MHz - 65MHz -35 dB MIN

HIPOT (Isolation Voltage):

1500 Vrms

100% OF PRODUCTION TESTED TO COMPLY WITH IEEE 802.3 ISOLATION REQUIREMENTS.

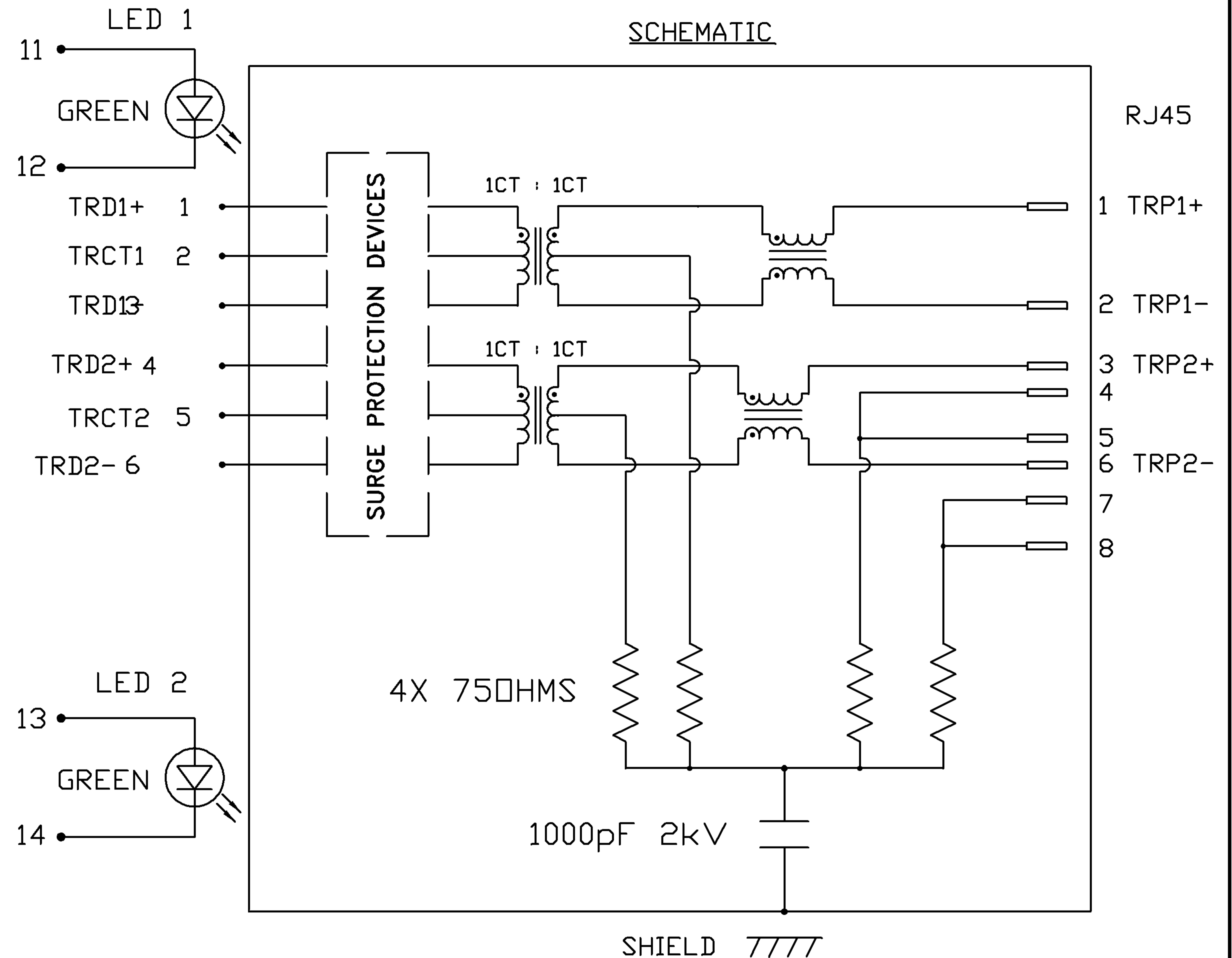
LED 1 & LED 2

VF (FORWARD VOLTAGE) IF=20mA GREEN 2.2V TYP.

λD (DOMINANT WAVELENGTH) IF=20mA GREEN 565nm TYP.

OPERATING TEMPERATURE:

-40°C TO +85°C



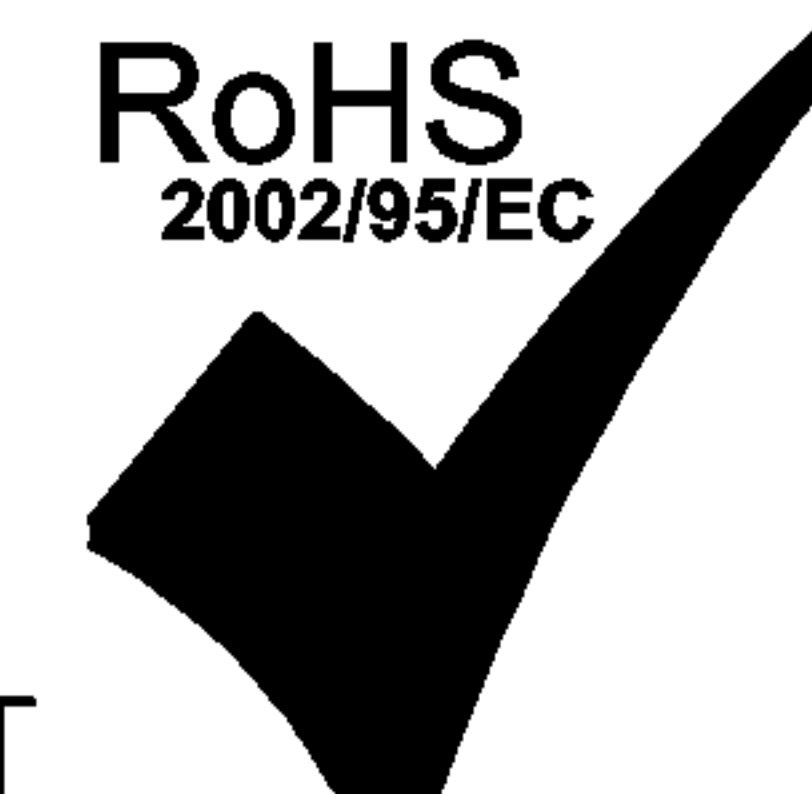
ORIGINATED BY	DATE	TITLE	PART NO. / DRAWING NO.	STANDARD DIM. TOL. IN INCH	[] METRIC DIM. AS REFERENCE
CHOW WANCHUNG	06-04-08	10/100 MagJack® (Vertical)	V890-1GX1-V6	.X	UNIT : INCH [mm] REV. : PB
DRAWN BY	DATE		FILE NAME	.XX	SCALE : N/A SIZE : A4
DENG PINGI	06-04-08		V890-1GX1-V6_PB.DWG	.XXX	PAGE : 2



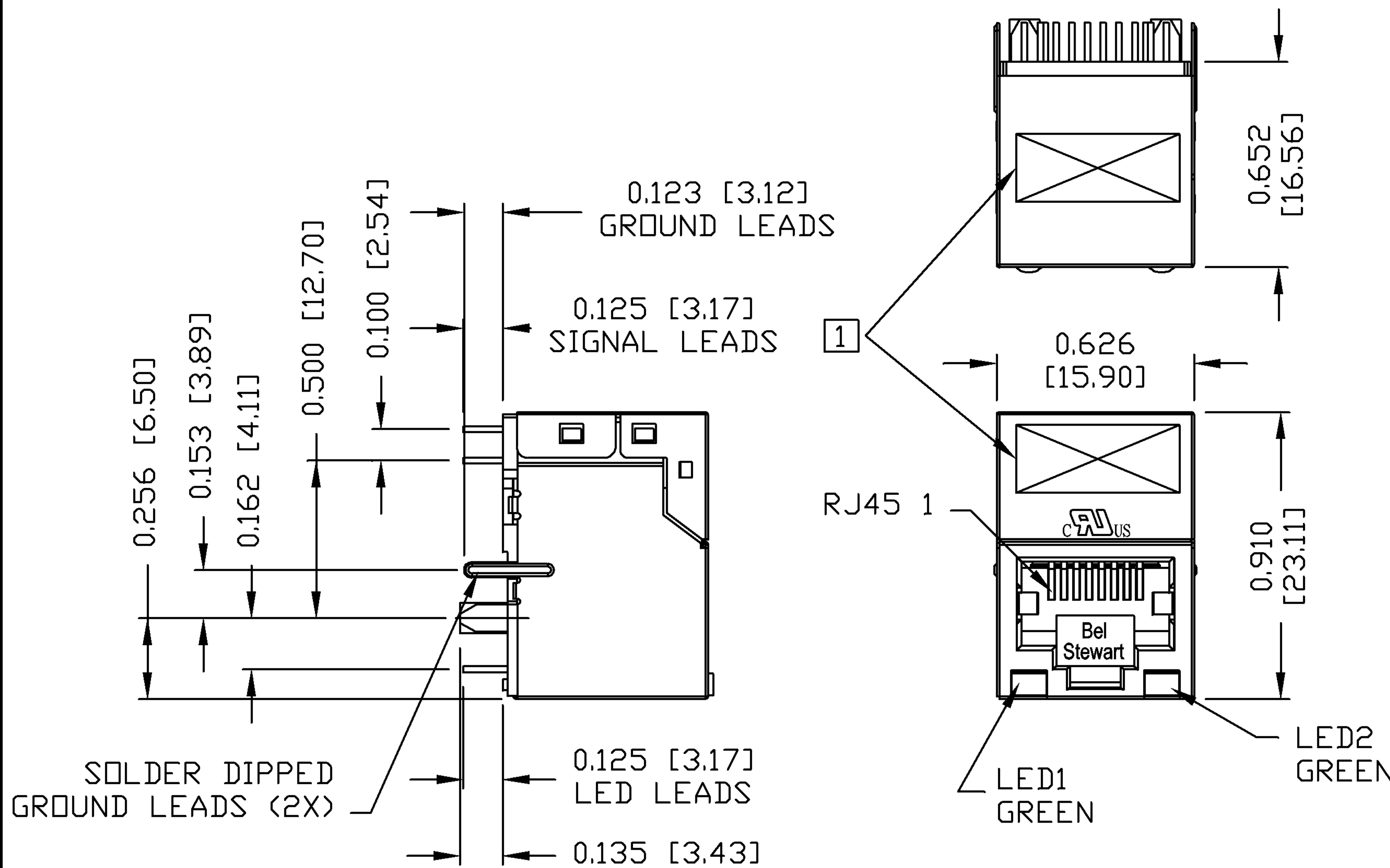
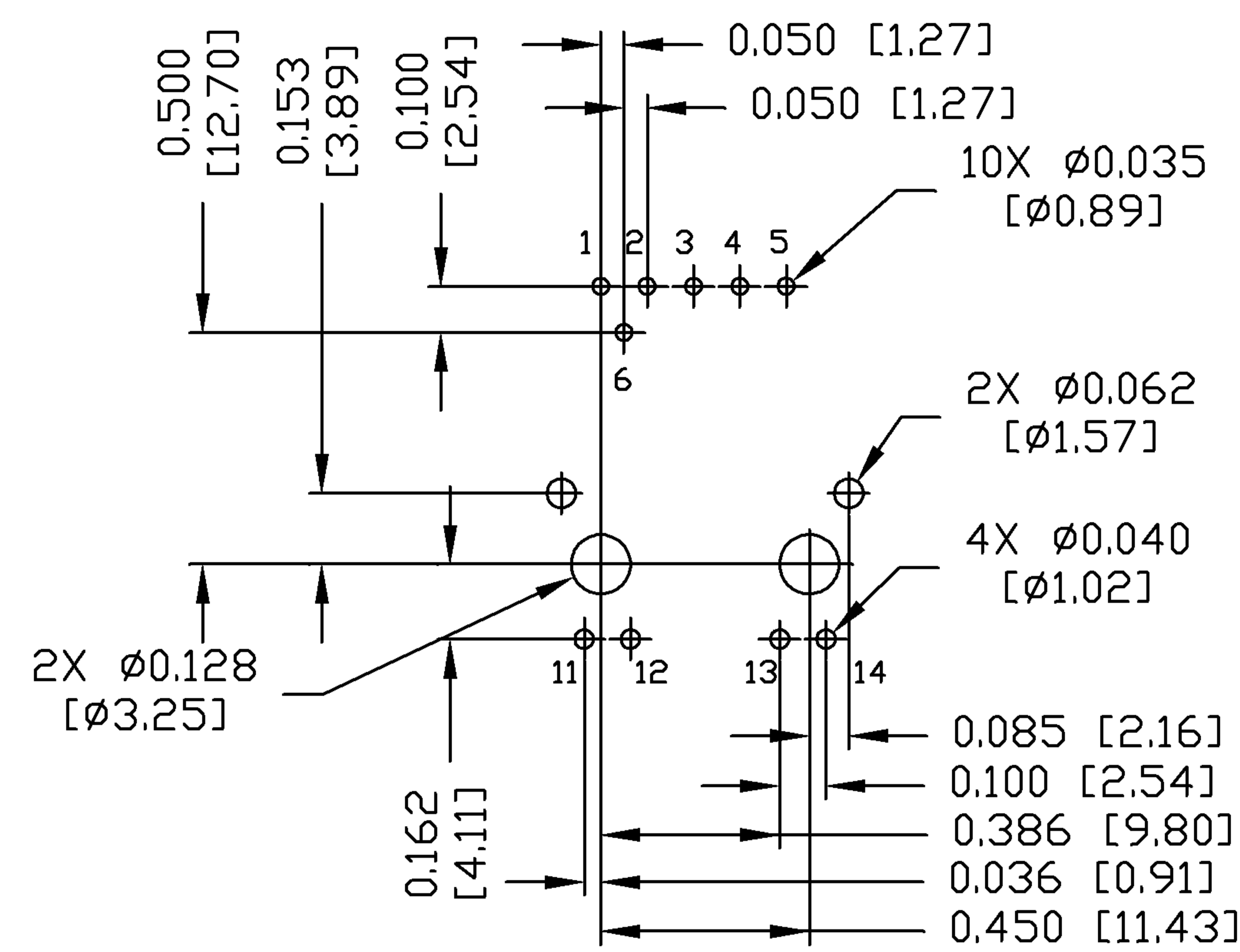
THE INFORMATION CONTAINED HEREIN IS CONSIDERED "PROPRIETARY" TO BEL FUSE INC. AND SHALL NOT BE COPIED, REPRODUCED OR DISCLOSED WITHOUT THE WRITTEN APPROVAL OF BEL FUSE INC.

MECHANICAL SPECIFICATION

PRELIMINARY



RECOMMENDED PCB FOOTPRINT
COMPONENT SIDE VIEW



- NOTES:
- PLASTIC HOUSING: THERMOPLASTIC PBT.
FLAMMABILITY RATING UL 94V-0
 - CONTACTS PLATING: 30 MICRO-INCH HARD GOLD PLATING
 - OUTPUT PINS: TIN-COATED COPPER WIRE, DIA 0.018 INCH.
 - METAL SHIELD: NICKEL PLATED ON COPPER ALLOY.
(ALL GROUND LEADS ARE SOLDER DIPPED)
 - ① MARK PART WITH MFG LOGO, MFG NAME, PART NUMBER, AND DATE CODE.

JACK CAVITY CONFORMS TO FCC RULES AND REGULATIONS.

c US UL RECOGNIZED - FILE #E196366 AND E169987.
RoHS COMPLIANCE, PER EU DIRECTIVE 2002/95/EC.

ORIGINATED BY	DATE	TITLE	PART NO. / DRAWING NO.	STANDARD DIM. TOL. IN INCH	[] METRIC DIM. AS REFERENCE
ZX HUANG	06-04-08	10/100 MagJack® (Vertical)	V890-1GX1-V6	.X	UNIT : INCH [mm] REV. : PB
DRAWN BY	DATE		FILE NAME	.XX	SCALE : N/A SIZE : A4
CHEN TING	06-04-08		V890-1GX1-V6_PB.DWG	.XXX ±0.010	PAGE : 3

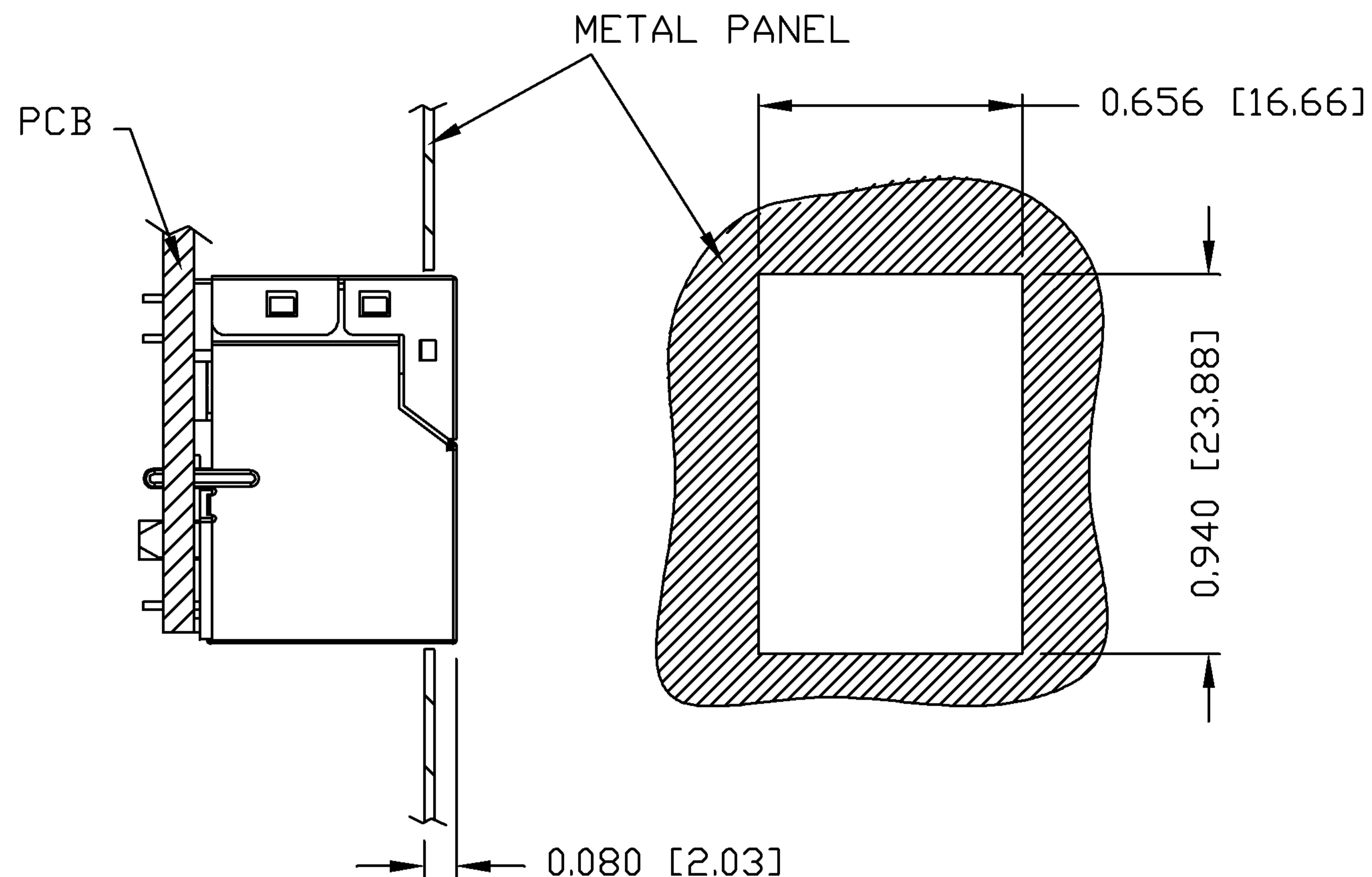


THE INFORMATION CONTAINED HEREIN IS CONSIDERED "PROPRIETARY" TO BEL FUSE INC. AND SHALL NOT BE COPIED, REPRODUCED OR DISCLOSED WITHOUT THE WRITTEN APPROVAL OF BEL FUSE INC.

PRELIMINARY



SUGGESTED PANEL OPENING



NOTES:

THE DISTANCE OF PANEL INSIDE SURFACE RELATIVE TO FRONT SURFACE OF PART IS ONLY A SUGGESTION. IN CASE THIS DISTANCE IS DIFFERENT, THE REQUIRED PANEL OPENING DIMENSIONS CHANGE ACCORDINGLY.

PACKING INFORMATION

PACKING TRAY : 0200-9999-I3(TOP)

0200-9999-I4(BOTTOM)

PACKING QUANTITY : 55 PCS FINISHED GOODS PER TRAY
9 TRAYS (495 PCS FINISHED GOODS)
PER CARTON BOX

NOTER: CARDBOARDS ARE PLACED BETWEEN LAYERS
OF PACKIING TRAY INSIDE CARTON BOX
(INCLUDE THE UPPERMOST AND LOWERMOST TRAY)

ORIGINATED BY ZX HUANG	DATE 06-04-08	TITLE 10/100 MagJack® (Vertical)	PART NO. / DRAWING NO. V890-1GX1-V6	STANDARD DIM. TOL. IN INCH	[] METRIC DIM. AS REFERENCE		 COMPONENTS FOR A CONNECTED PLANET
DRAWN BY CHEN TING	DATE 06-04-08		FILE NAME V890-1GX1-V6_PB.DWG	.X	UNIT : INCH [mm]	REV. : PB	
			.XX	SCALE : N/A	SIZE : A4		
			.XXX	±0.004	PAGE : 4		