

THE INFORMATION CONTAINED HEREIN IS CONSIDERED "PROPRIETARY" TO BEL FUSE INC. AND SHALL NOT BE COPIED, REPRODUCED OR DISCLOSED WITHOUT THE WRITTEN APPROVAL OF BEL FUSE INC.

RoHS  
2002/95/EC



LED1 POLARITY			LED2 POLARITY		
PIN 11	PIN 12	COLOR	PIN 13	PIN 14	COLOR
+	-	GREEN	+	-	YELLOW

**ELECTRICAL CHARACTERISTICS @ 25°C**

**URNS RATIO**

TP1	1CT : 1CT ±3%
TP2	1CT : 1CT ±3%
TP3	1CT : 1CT ±3%
TP4	1CT : 1CT ±3%

**OCL @ 100kHz/100mVRMS**

8mA DC BIAS	350 μH MIN.
-------------	-------------

**INS. LOSS**

1MHz TO 100MHz	-1.1 dB MAX
----------------	-------------

**RET. LOSS (MIN)**

1MHz-40MHz	-18 dB
40MHz-100MHz	-12+20LOG(F/80MHz) dB

**CM TO CM REJ**

1MHz - 100MHz	-20 dB MIN
---------------	------------

**CROSSTALK (TX - RX)**

1MHz - 30MHz	-40 dB MIN
30MHz - 60MHz	-30 dB MIN

**OPERATING TEMPERATURE**

	-40 °C TO 85 °C
--	-----------------

HIPOT (Isolation Voltage): 1500 Vrms

100% OF PRODUCTION TESTED TO COMPLY WITH

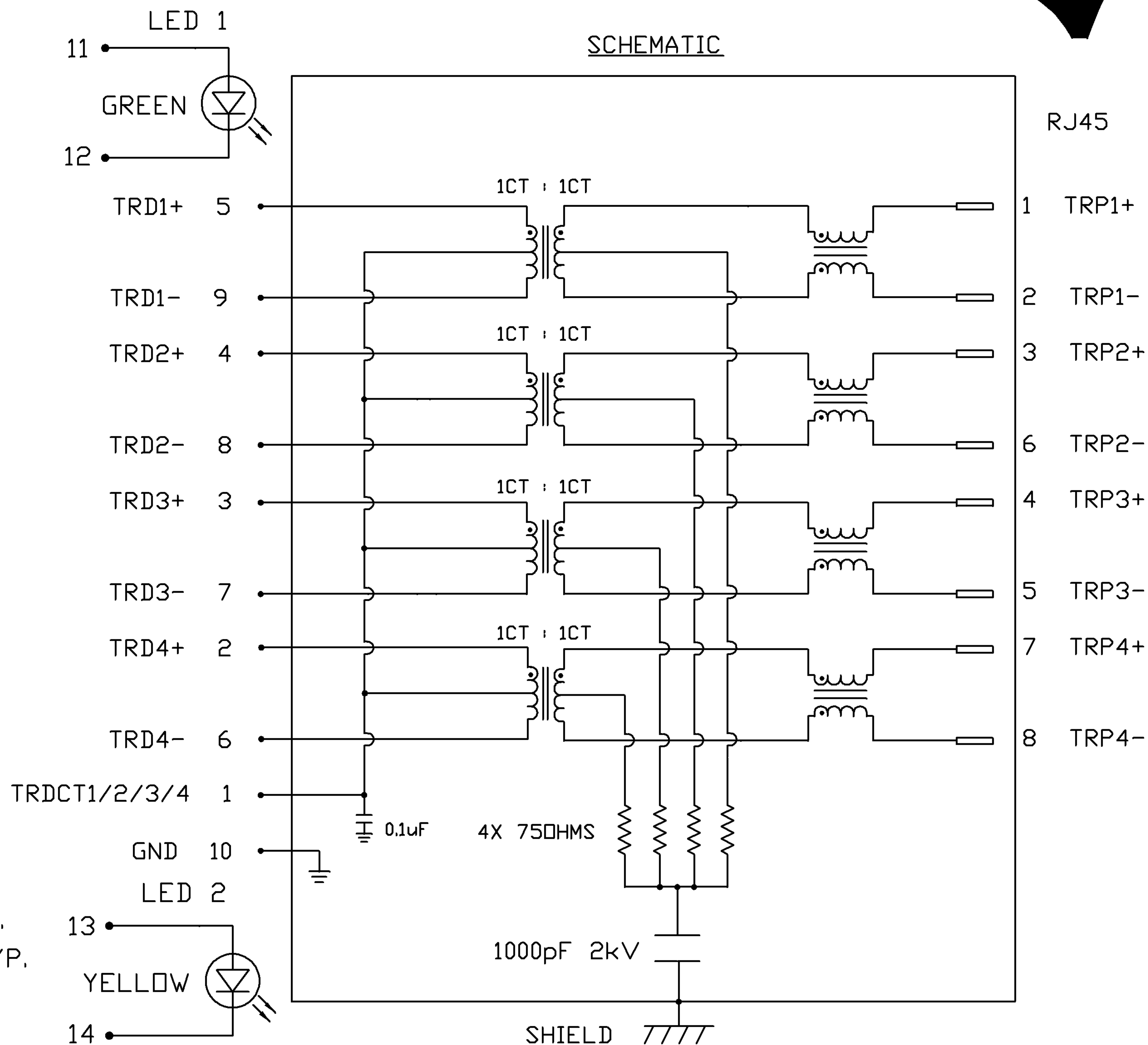
IEEE 802.3 ISOLATION REQUIREMENTS.

**LED 1**

VF (FORWARD VOLTAGE)	IF=20mA	GREEN	2.2V TYP.
λD (DOMINANT WAVELENGTH)	IF=20mA	GREEN	565nm TYP.

**LED 2**

VF (FORWARD VOLTAGE)	IF=20mA	YELLOW	2.1V TYP.
λD (DOMINANT WAVELENGTH)	IF=20mA	YELLOW	590nm TYP.



ORIGINATED BY: CHOW WANCHUNG  
DATE: 06-04-08

TITLE: gigabit MagJack®  
(8 cores, Vertical)

PART NO. / DRAWING NO.: V890-1AX1-Y5

FILE NAME: V890-1AX1-Y5\_B.DWG

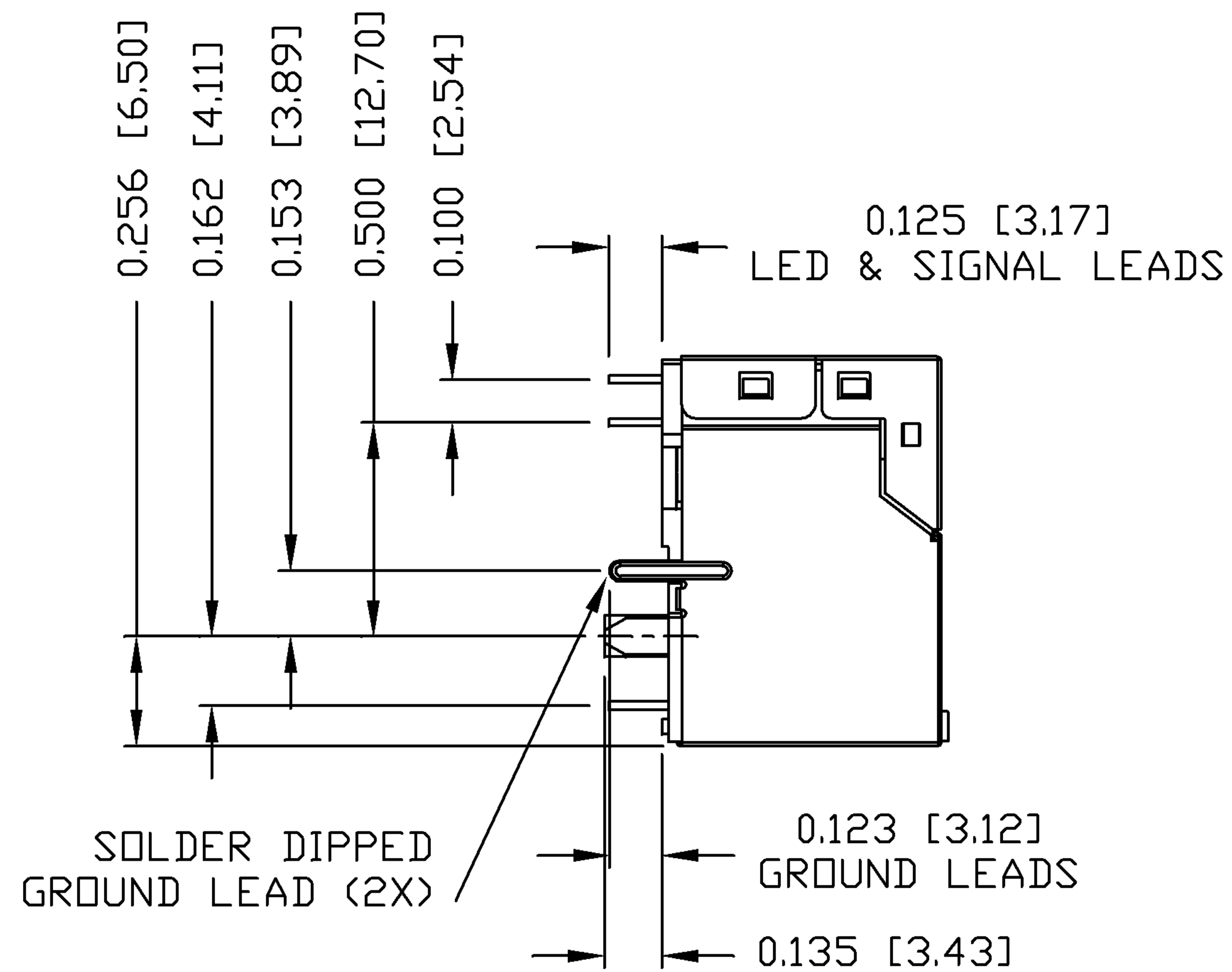
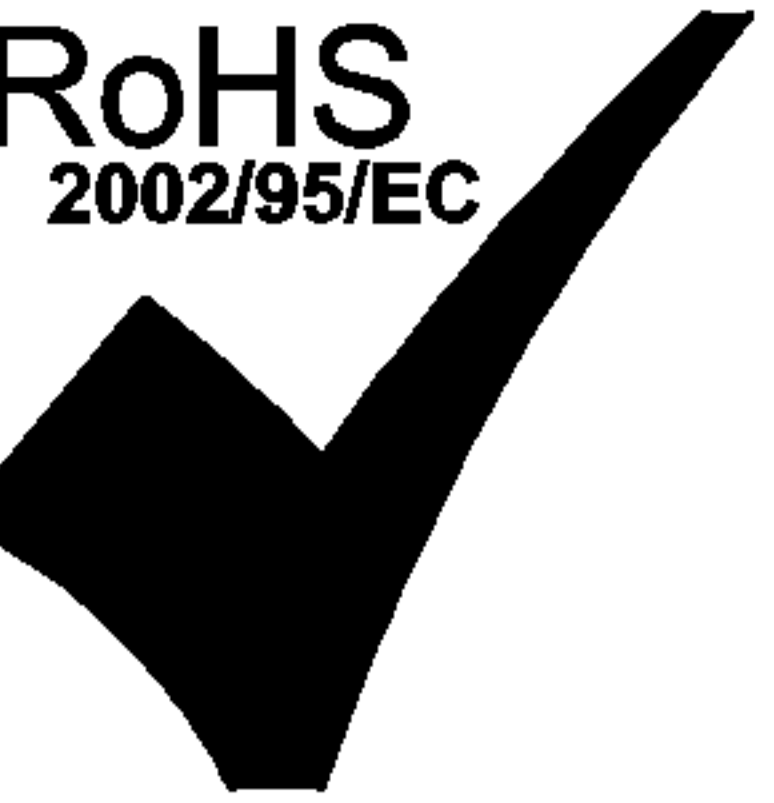
STANDARD DIM. TOL. IN INCH  
.X  
.XX  
.XXX

[ ] METRIC DIM. AS REFERENCE  
UNIT : INCH [mm]  
SCALE : N/A  
REV. : B  
SIZE : A4  
PAGE : 2

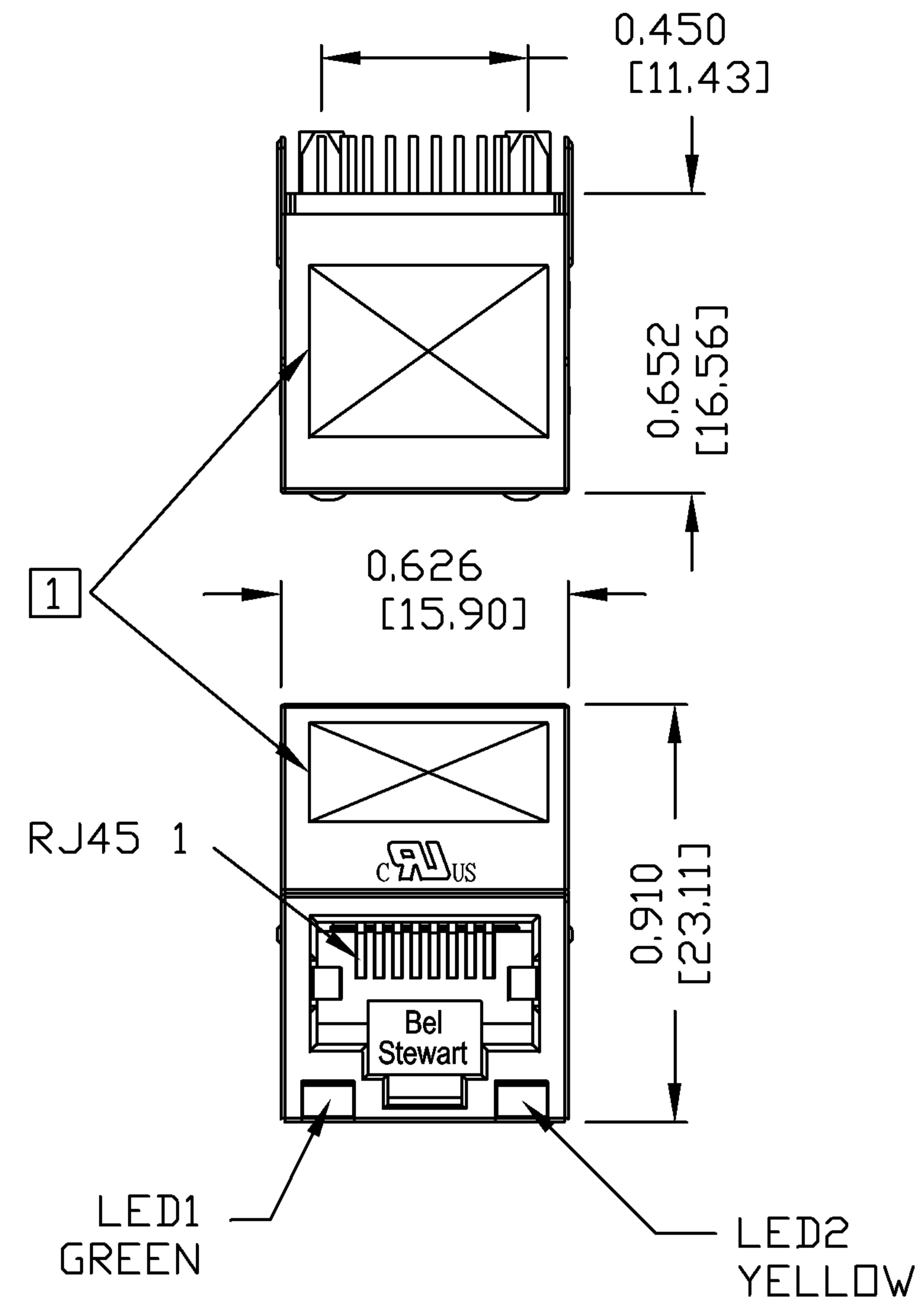


THE INFORMATION CONTAINED HEREIN IS CONSIDERED "PROPRIETARY" TO BEL FUSE INC. AND SHALL NOT BE COPIED, REPRODUCED OR DISCLOSED WITHOUT THE WRITTEN APPROVAL OF BEL FUSE INC.

RoHS  
2002/95/EC



MECHANICAL SPECIFICATION



NOTES:

PLASTIC HOUSING: THERMOPLASTIC PBT.  
FLAMMABILITY RATING UL 94V-0  
CONTACTS: 30 MICRO-INCH HARD GOLD PLATING  
OUTPUT PINS: TIN-COATED COPPER WIRE, DIA 0.018 INCH.  
METAL SHIELD: NICKEL PLATED ON COPPER ALLOY.  
(ALL GROUND LEADS ARE SOLDER DIPPED)

JACK CAVITY CONFORMS TO FCC RULES AND REGULATIONS.

① MARK PART WITH MFG LOGO, MFG NAME, PART NUMBER, AND DATE CODE.

RoHS COMPLIANCE, PER EU DIRECTIVE 2002/95/EC.

c US UL RECOGNIZED - FILE #E196366 AND E169987.

ORIGINATED BY ZX HUANG	DATE 06-04-08	TITLE gigabit MagJack® (8 cores, Vertical)	PART NO. / DRAWING NO. V890-1AX1-Y5	STANDARD DIM. TOL. IN INCH	[ ] METRIC DIM. AS REFERENCE	
DRAWN BY CHEN TING	DATE 06-04-08		FILE NAME V890-1AX1-Y5_B.DWG	.X .XX .XXX	±0.010	UNIT : INCH [mm]
					SCALE : N/A	SIZE : A4
						PAGE : 3



THE INFORMATION CONTAINED HEREIN IS CONSIDERED "PROPRIETARY" TO BEL FUSE INC. AND SHALL NOT BE COPIED, REPRODUCED OR DISCLOSED WITHOUT THE WRITTEN APPROVAL OF BEL FUSE INC.

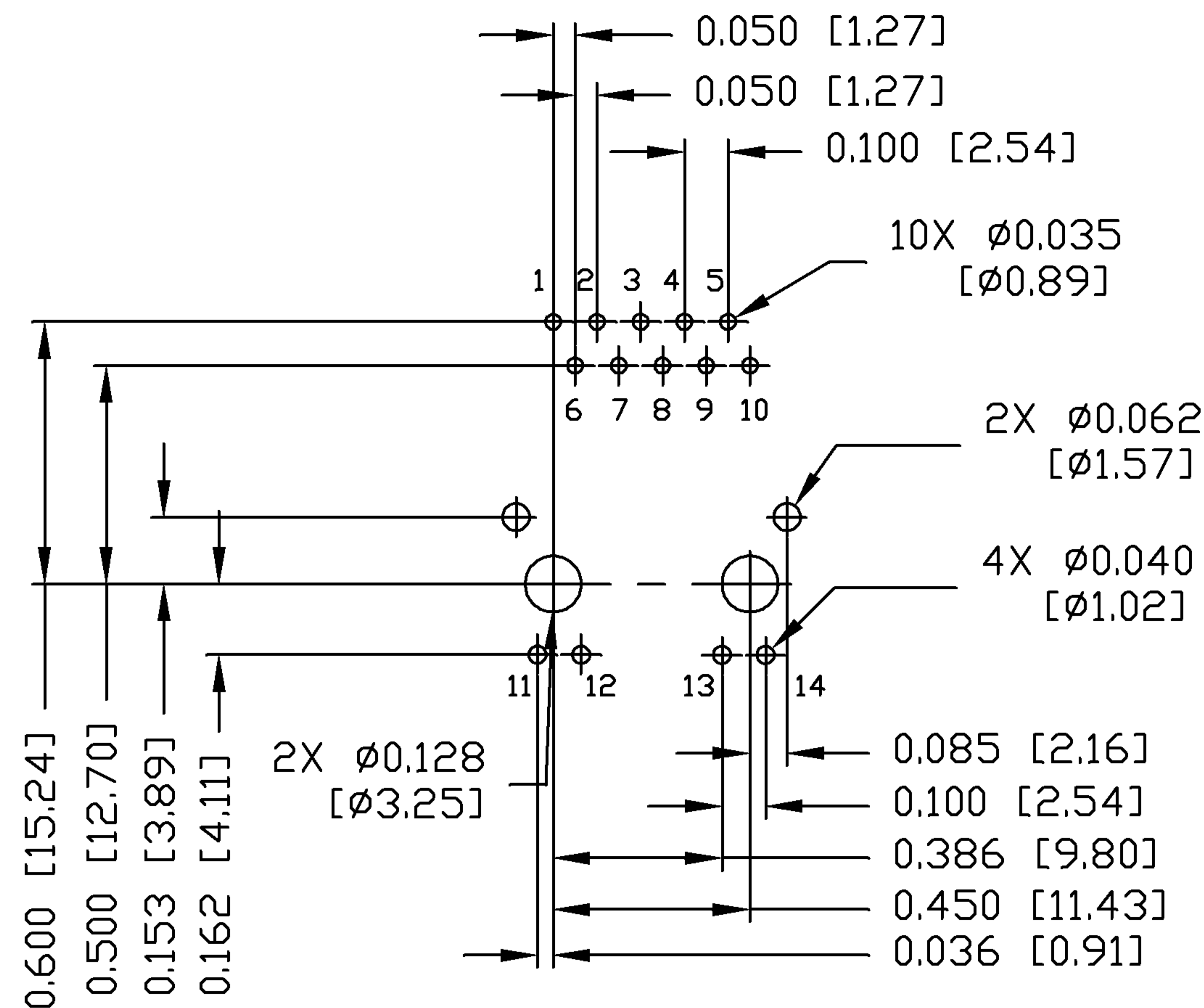
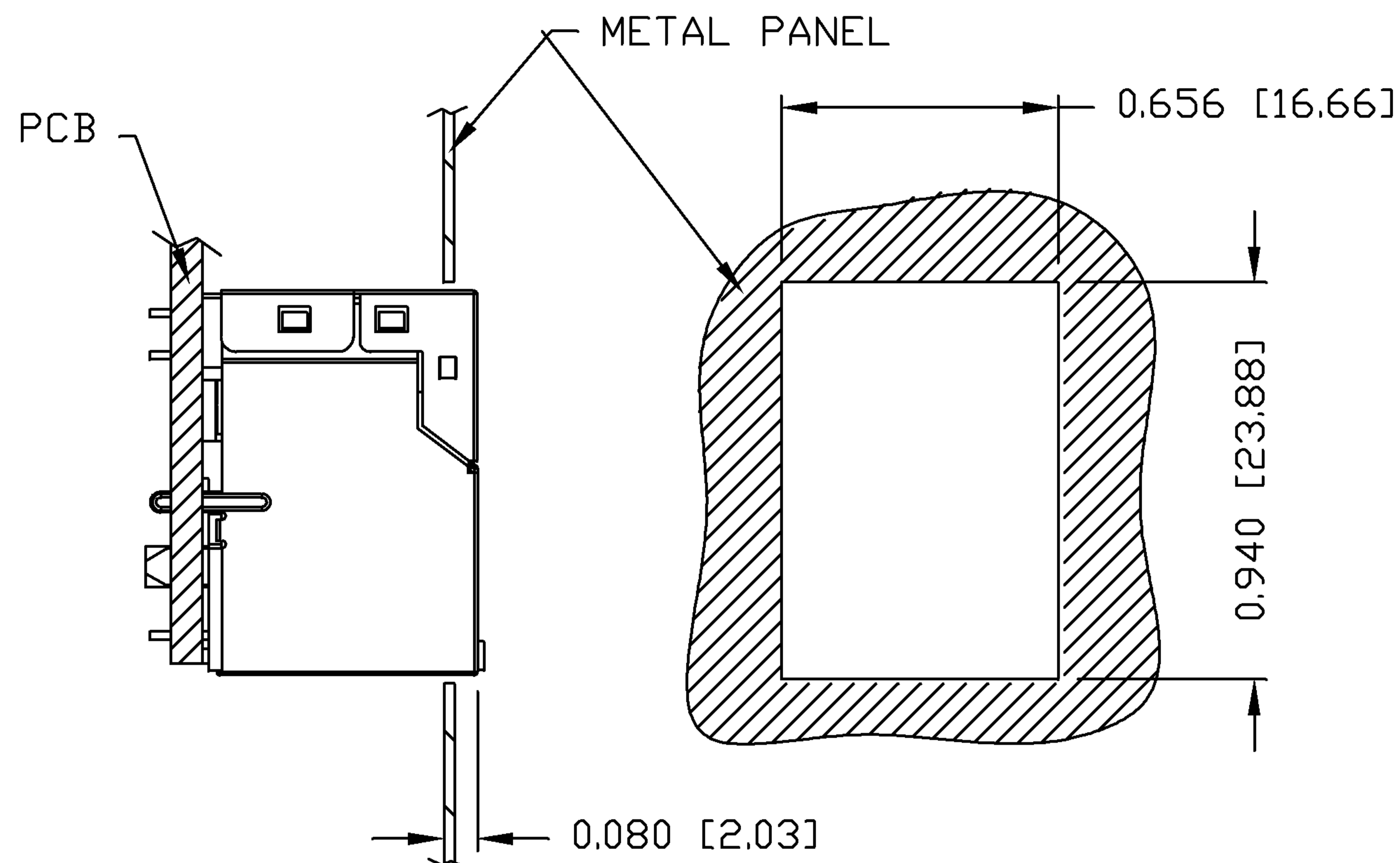
RoHS  
2002/95/EC



RECOMMENDED PCB FOOTPRINT

COMPONENT SIDE VIEW

SUGGESTED PANEL OPENING



NOTES:

THE DISTANCE OF PANEL INSIDE SURFACE RELATIVE TO FRONT SURFACE OF PART IS ONLY A SUGGESTION. IN CASE THIS DISTANCE IS DIFFERENT, THE REQUIRED PANEL OPENING DIMENSIONS CHANGE ACCORDINGLY.

PACKING INFORMATION

PACKING TRAY : 0200-9999-I3(TOP)

0200-9999-I4(BOTTOM)

PACKING QUANTITY : 55 PCS FINISHED GOODS PER TRAY

9 TRAYS (495 PCS FINISHED GOODS) PER CARTON BOX

NOTER: CARDBOARDS ARE PLACED BETWEEN LAYERS OF PACKIING TRAY INSIDE CARTON BOX

(INCLUDE THE UPPERMOST AND LOWERMOST TRAY)

ORIGINATED BY ZX HUANG	DATE 06-04-08	TITLE gigabit MagJack® (8 cores, Vertical)	PART NO. / DRAWING NO. V890-1AX1-Y5	STANDARD DIM. TOL. IN INCH	[ ] METRIC DIM. AS REFERENCE	 COMPONENTS FOR A CONNECTED PLANET
DRAWN BY CHEN TING	DATE 06-04-08		FILE NAME V890-1AX1-Y5_B.DWG	.X	UNIT : INCH [mm]	
			.XX	SCALE : N/A	SIZE : A4	
			.XXX	±0.004	PAGE : 4	