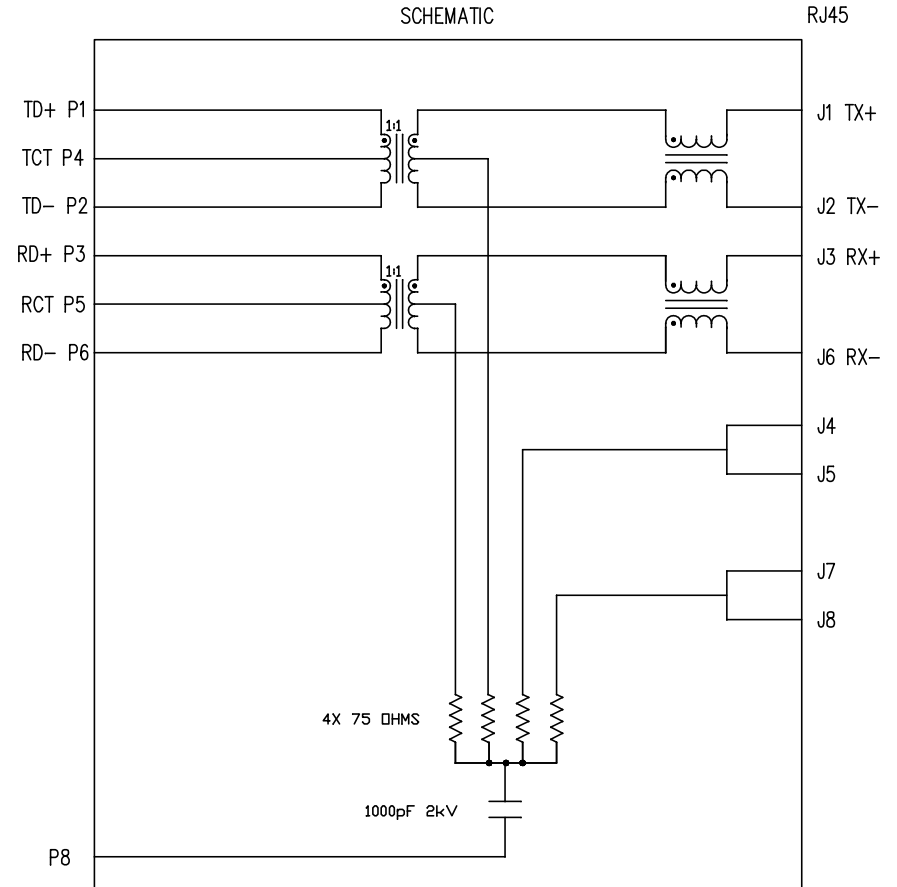


THE INFORMATION CONTAINED HEREIN IS CONSIDERED "PROPRIETARY" TO BEL FUSE INC. AND SHALL NOT BE COPIED, REPRODUCED OR DISCLOSED WITHOUT THE WRITTEN APPROVAL OF BEL FUSE INC.



ELECTRICAL CHARACTERISTICS @ 25°C

- 1.0 TURNS RATIO: (P3-P5-P6) : (J3-J6) : 1CT : 1CT ± 3%
(P1-P4-P2) : (J1-J2) : 1CT : 1CT ± 3%
- 2.0 INDUCTANCE: (P1-P2) : 350uH MIN. @ 0.1V, 100KHz, 8mA DC Bias
(P3-P6) : 350uH MIN. @ 0.1V, 100KHz, 8mA DC Bias
- 3.0 DC RESISTANCE: (J6-J3)=(J2-J1) : 1.2 ohms Max.
- 4.0 RETURN LOSS:
1MHz TO 30MHz : -18dB MIN.
60MHz TO 80MHz : -12dB MIN.
- 5.0 INSERTION LOSS: 100KHz TO 100MHz : -1.1 dB TYP
- 6.0 DIELECTRIC WITHSTAND: (J1, J2) TO (P1, P2) : 1500 Vrms
(J3, J6) TO (P3, P6) : 1500 Vrms
- 7.0 RISE TIME: RS=100 OHMS AND RL = 100 OHMS : 3.0 nS MAX
OUTPUT VOLTAGE = 1 V peak : 3.0 nS MAX
PULSE WIDTH= 112nS
- 8.0 CROSS TALK: 1MHz TO 100MHz : -40 dB TYP
- 9.0 COMMON TO COMMON MODE ATTENUATION: 30MHz TO 100MHz : -35dB TYP
- 10.0 OPERATING TEMPERATURE : -40°C TO 85°C

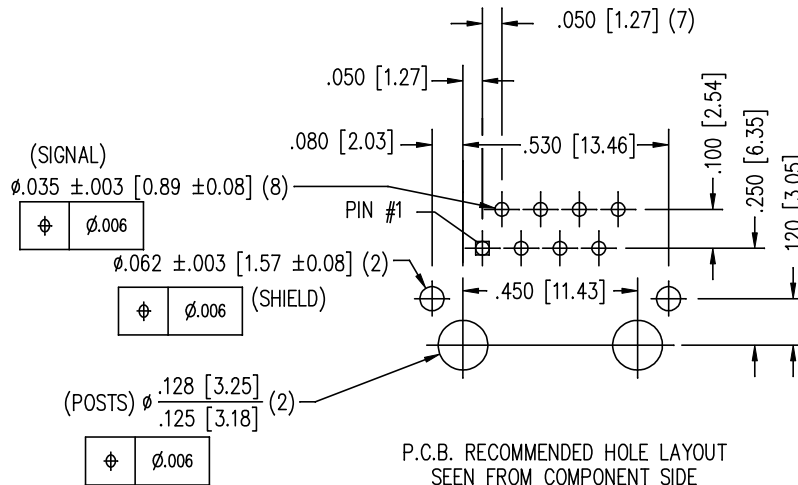
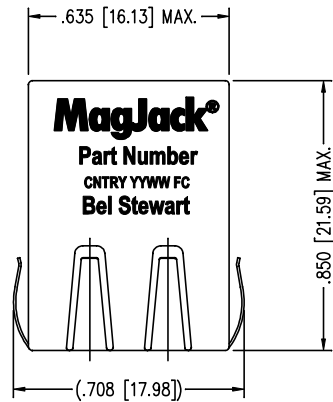


NOTES: UNSUSED PIN 7 IS OMITTED

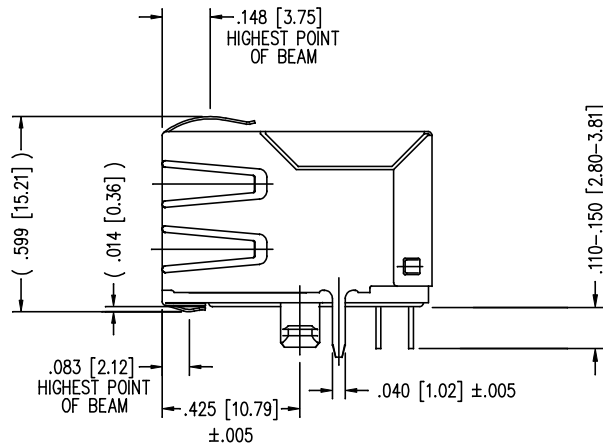
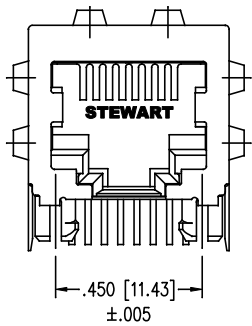
ORIGINATED BY	DATE	TITLE	PART NO. / DRAWING NO.	STANDARD DIM. TOL. IN INCH	[] METRIC DIM. AS REFERENCE	 COMPONENTS OR A PLANET	
Bain Liu	04-07-09	MagJack® 10/100BT, TAB DOWN, SHIELD	SI-60233-F	.X	UNIT : INCH [mm]		
DRAWN BY	DATE		FILE NAME	.XX	SCALE : N/A		REV. : X0
R.S.Zhang	04-07-09		SI-60233-F.DWG	.XXX	±0.005		SIZE : A4
					PAGE : 2		

THE INFORMATION CONTAINED HEREIN IS CONSIDERED "PROPRIETARY" TO BEL FUSE INC. AND SHALL NOT BE COPIED, REPRODUCED OR DISCLOSED WITHOUT THE WRITTEN APPROVAL OF BEL FUSE INC.

RoHS
2002/95/EC



P.C.B. RECOMMENDED HOLE LAYOUT
SEEN FROM COMPONENT SIDE
ALL CENTERLINE DIMENSIONS ARE BASIC.



NOTES:

- CONNECTOR MATERIALS:
HOUSING: THERMOPLASTIC UL94 V-0
CONTACT/SHIELD: COPPER ALLOY
SHIELD PLATING: NICKEL OR TIN
CONTACT PLATING: SELECTIVE GOLD,
50 MICRO-INCHES MIN. IN CONTACT AREA.
- PIN NOT ELECTRICALLY CONNECTED MAYBE OMITTED.
SEE ELECTRICAL DRAWING FOR OMITTED PINS.
- TOLERANCES COMPLY WITH F.C.C. DIMENSION REQUIREMENTS.
- ALL TOLERANCES NOT OTHERWISE SPECIFIED TO BE ±.005 [0.13]
- WAVE SOLDER COMPATIBLE - PREHEAT 125°C/90SECS.

ORIGINATED BY	DATE
Bain Liu	04-07-09
DRAWN BY	DATE
R.S.Zhang	04-07-09

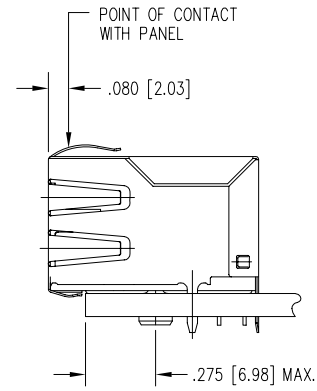
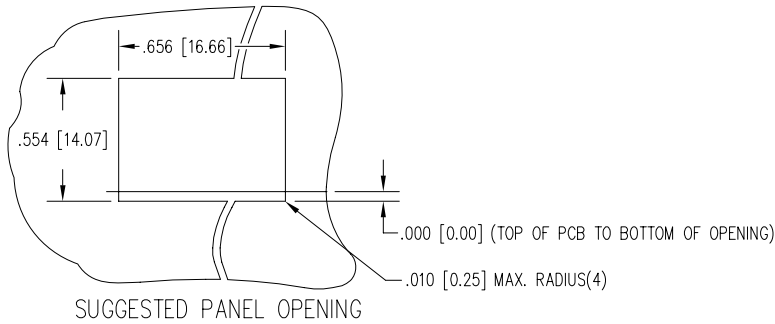
TITLE	MagJack®
	10/100BT, TAB DOWN, SHIELD

PART NO. / DRAWING NO.	SI-60233-F
FILE NAME	SI-60233-F.DWG

STANDARD DIM. TOL. IN INCH	[] METRIC DIM. AS REFERENCE
.X	UNIT : INCH [mm]
.XX	SCALE : N/A
.XXX	REV. : X0
±0.005	SIZE : A4
	PAGE : 3



THE INFORMATION CONTAINED HEREIN IS CONSIDERED "PROPRIETARY" TO BEL FUSE INC. AND SHALL NOT BE COPIED, REPRODUCED OR DISCLOSED WITHOUT THE WRITTEN APPROVAL OF BEL FUSE INC.



1. THE SUGGESTED PANEL OPENING IS INTENDED TO GIVE THE USER THE ABILITY TO HAVE REASONABLE JACK / PANEL CLEARANCES YET MAINTAIN RELIABLE GROUNDING CAPABILITY.
 2. ALL TOLERANCES NOT OTHERWISE SPECIFIED TO BE ± 0.005 [0.13]
- ⚠ THIS CONNECTOR CAN BE MOUNTED ON THE OPTIONAL PCB FOOTPRINT WITH THE LED HOLES UNUSED. CONSULT FACTORY FOR CONNECTOR PART NUMBERS WITH INTEGRATED LED INDICATORS.

ORIGINATED BY	DATE	TITLE	PART NO. / DRAWING NO.	STANDARD DIM. TOL. IN INCH	[] METRIC DIM. AS REFERENCE	 bel COMPONENTS FOR A CONNECTED PLANET	
Bain Liu	04-07-09	MagJack® 10/100BT, TAB DOWN, SHIELD	SI-60233-F	.X	UNIT : INCH [mm]		REV. : X0
DRAWN BY	DATE		FILE NAME	.XX	SCALE : N/A		SIZE : A4
R.S.Zhang	04-07-09		SI-60233-F.DWG	.XXX ±0.005		PAGE : 4	