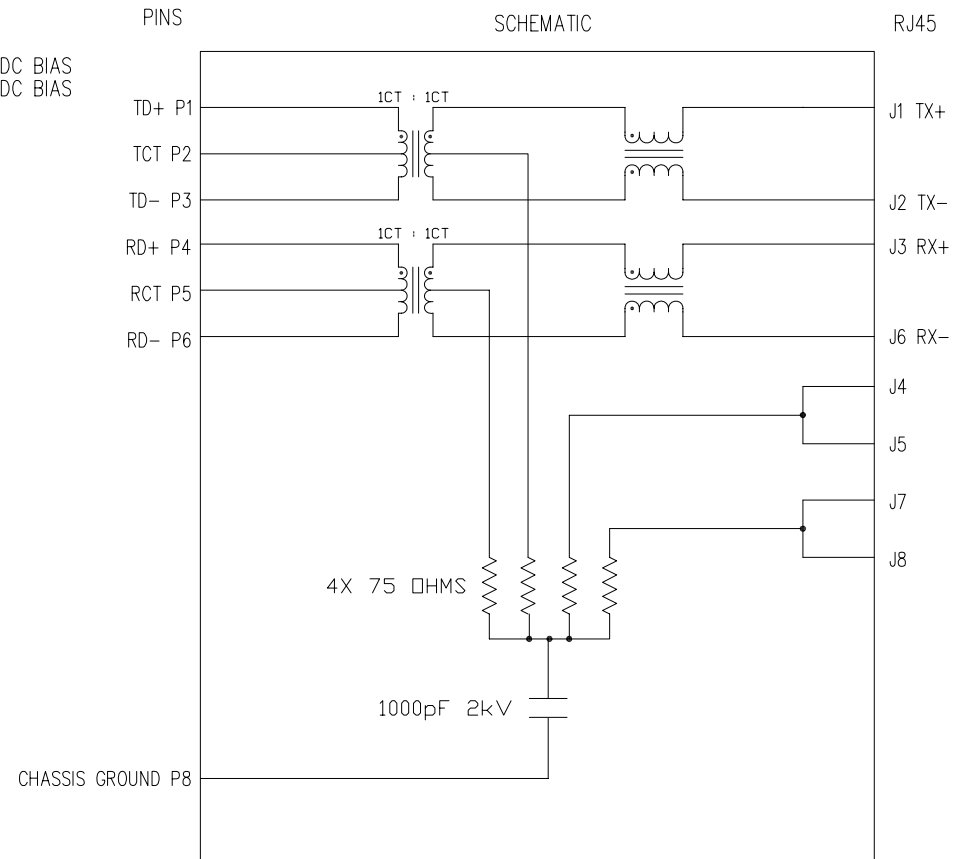


THE INFORMATION CONTAINED HEREIN IS CONSIDERED "PROPRIETARY" TO BEL FUSE INC. AND SHALL NOT BE COPIED, REPRODUCED OR DISCLOSED WITHOUT THE WRITTEN APPROVAL OF BEL FUSE INC.



ELECTRICAL CHARACTERISTICS @ 25°C

- 1.0 INDUCTANCE: (P6-P4) : 350uH MIN. @ 0.1V, 100KHz, 8mA DC BIAS
(P3-P1) : 350uH MIN. @ 0.1V, 100KHz, 8mA DC BIAS
- 2.0 TURNS RATIO: (P6-P4):(J6-J3) : 1CT : 1CT ± 3%
(P3-P1):(J2-J1) : 1CT : 1CT ± 3%
- 3.0 DC RESISTANCE: (J6-J3)=(J2-J1) : 1.5 OHMS MAX.
- 4.0 INSERTION LOSS: 100kHz TO 100MHz : -1.1dB TYP.
- 5.0 RETURN LOSS: 100 OHMS SOURCE APPLIED TO J-PINS
1MHz TO 30MHz : -18dB MIN.
60MHz TO 80MHz : -12dB MIN.
NOTE: 100 OHMS CONNECTED TO (P6-P4) OR (P1-P3)
- 6.0 CROSS TALK: 1MHz TO 100MHz : -40dB TYP.
- 7.0 COMMON TO COMMON MODE ATTENUATION: 30MHz TO 100MHz : -35dB TYP.
- 8.0 RISE TIME: OUTPUT VOLTAGE=1 V PEAK : 3.0 nS MAX
PULSE WIDTH=112ns : 3.0 nS MAX
- 9.0 VOLTAGE WITHSTAND: (J1,J2) TO (P1,P3) : 1500Vrms
(J3,J6) TO (P4,P6) : 1500Vrms
- 10.0 OPERATING TEMPERATURE RANGE: -40°C TO 85°C



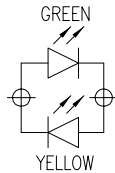
NOTES:
1.0 PINS WITHOUT ELECTRICAL CONNECTION ARE OMITTED.

ORIGINATED BY	DATE	TITLE	PART NO. / DRAWING NO.	STANDARD DIM. TOL. IN INCH	[] METRIC DIM. AS REFERENCE	 bel COMPONENTS FOR A CONNECTED PLANET	
Bain Liu	10-22-08	MagJack® 10/100BT VERTICAL, SHIELDED	SI-46021-F	.X	UNIT : INCH [mm]		REV. : A0
DRAWN BY	DATE		FILE NAME	.XX	SCALE : N/A		SIZE : A4
LW Yuan	10-22-08		SI-46021-F.DWG	.XXX ±0.005		PAGE : 2	

THE INFORMATION CONTAINED HEREIN IS CONSIDERED "PROPRIETARY" TO BEL FUSE INC. AND SHALL NOT BE COPIED, REPRODUCED OR DISCLOSED WITHOUT THE WRITTEN APPROVAL OF BEL FUSE INC.

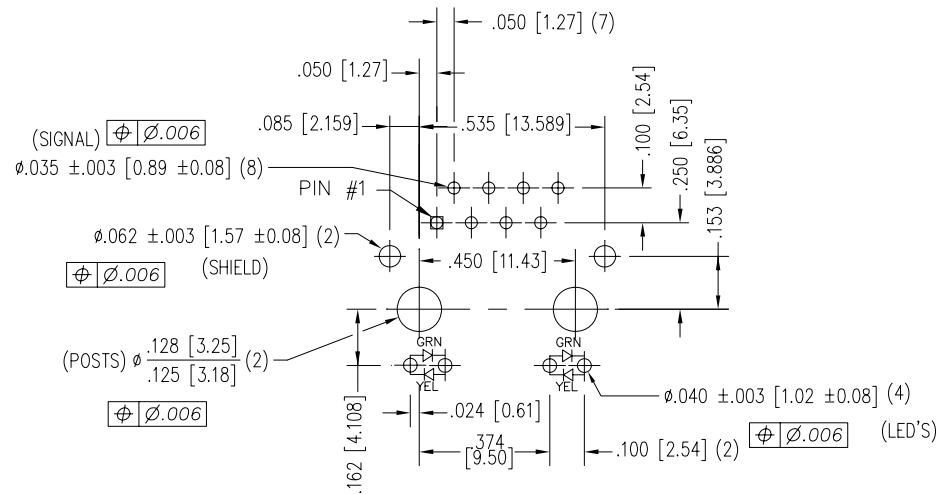


BICOLOR LED POLARITY



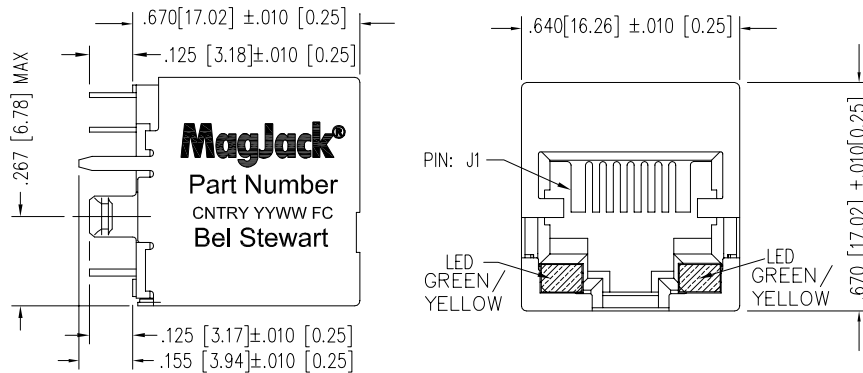
LED SPECIFICATION			
STANDARD LED	WAVELENGTH	FORWARD V (MAX)	*(TYP)
GREEN	565 nm	2.5 V	2.2 V
YELLOW	590 nm	2.5 V	2.1 V

*WITH A FORWARD CURRENT OF 20 mA (TYP)



P.C.B. RECOMMENDED HOLE LAYOUT
SEEN FROM COMPONENT SIDE

ALL CENTERLINE DIMENSIONS ARE BASIC.



NOTES:

- CONNECTOR MATERIALS:
HOUSING: THERMOPLASTIC UL94 V-0
CONTACT/SHIELD: COPPER ALLOY
SHIELD PLATING: NICKEL OR TIN
CONTACT PLATING: SELECTIVE GOLD,
50 MICRO-INCHES MIN. IN CONTACT AREA.
- PIN NOT ELECTRICALLY CONNECTED MAYBE OMITTED.
SEE ELECTRICAL DRAWING FOR OMITTED PINS.
- TOLERANCES COMPLY WITH F.C.C. DIMENSION REQUIREMENTS.
- ALL TOLERANCES NOT OTHERWISE SPECIFIED TO BE ± 0.005 [0.13]
- WAVE SOLDER COMPATIBLE - PREHEAT 125°C/90SECS.

ORIGINATED BY	DATE	TITLE	PART NO. / DRAWING NO.	STANDARD DIM. TOL. IN INCH	[] METRIC DIM. AS REFERENCE		
Bain Liu	10-22-08	MagJack® 10/100BT VERTICAL, SHIELDED	SI-46021-F	.X	UNIT : INCH [mm]		REV. : A0
DRAWN BY	DATE		FILE NAME	.XX	SCALE : N/A		SIZE : A4
LW Yuan	10-22-08		SI-46021-F.DWG	.XXX ±0.005		PAGE : 3	