

THE INFORMATION CONTAINED HEREIN IS CONSIDERED 'PROPRIETARY' TO BEL FUSE INC. AND SHALL NOT BE COPIED, REPRODUCED OR DISCLOSED WITHOUT THE WRITTEN APPROVAL OF BEL FUSE INC.

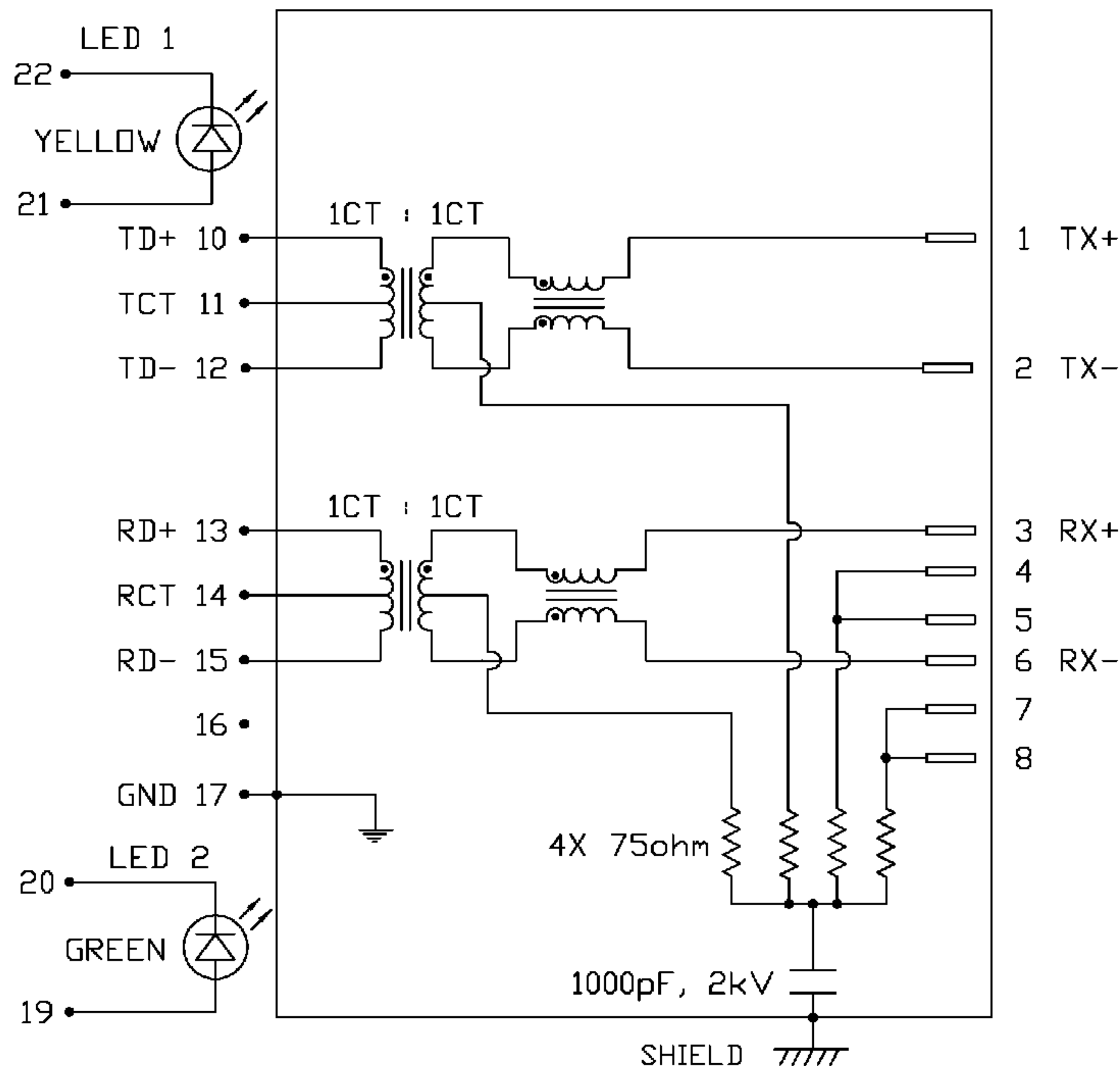
RoHS
2002/95/EC



ELECTRICAL CHARACTERISTICS @ 25°C

<p> TRANSFORMER: TURNS RATIO TX 1CT : 1CT ±3% RX 1CT : 1CT ±3% OCL @ 100kHz,100mVRMS 8mA DC BIAS 350µH MIN INS. LOSS 100KHz TO 100MHZ -1.1 dB MAX RET. LOSS 1MHz-30MHz -18 dB MIN 30MHz-80MHz -12 dB MIN CM TO CM REJ 100kHz - 100MHZ -30 dB Min CM TO DM REJ 100kHz - 100MHZ -35 dB Min CROSS TALK 1MHz - 100MHZ -30 dB Min HIPOT (Isolation Voltage) 1500 Vrms or 2250VDC LEAKAGE INDUCTANCE PRIMARY W/ SECONDARY 0.3uH Max. @ 1MHz INTERWINDING CAPACITANCE PER CHANNEL (PRI. TO SEC.) 30pF Max @ 1MHz DC RESISTANCE (RJ1-RJ2)=(RJ3-RJ6) 1.4 ohms Max LED 1 VF (FORWARD VOLTAGE) IF=20mA YELLOW 2.1V TYP. λD (DOMINANT WAVELENGTH) IF=20mA YELLOW 590nm TYP. LED 2 VF (FORWARD VOLTAGE) IF=20mA GREEN 2.2V TYP. λD (DOMINANT WAVELENGTH) IF=20mA GREEN 565nm TYP. USB ELECTRICAL: INSULATION RESISTANCE: 1000 MEGAΩ (MIN) CONTACT RESISTANCE: 25 MILLIΩ (MAX) DIELECTRIC WITHSTANDING: 750 VAC </p>	<p> LED1 POLARITY <table border="1"> <tr> <th>PIN 22</th> <th>PIN 21</th> <th>COLOR</th> </tr> <tr> <td>-</td> <td>+</td> <td>YELLOW</td> </tr> </table> <table border="1"> <tr> <th>PIN 20</th> <th>PIN 19</th> <th>COLOR</th> </tr> <tr> <td>-</td> <td>+</td> <td>GREEN</td> </tr> </table> </p>	PIN 22	PIN 21	COLOR	-	+	YELLOW	PIN 20	PIN 19	COLOR	-	+	GREEN
PIN 22	PIN 21	COLOR											
-	+	YELLOW											
PIN 20	PIN 19	COLOR											
-	+	GREEN											

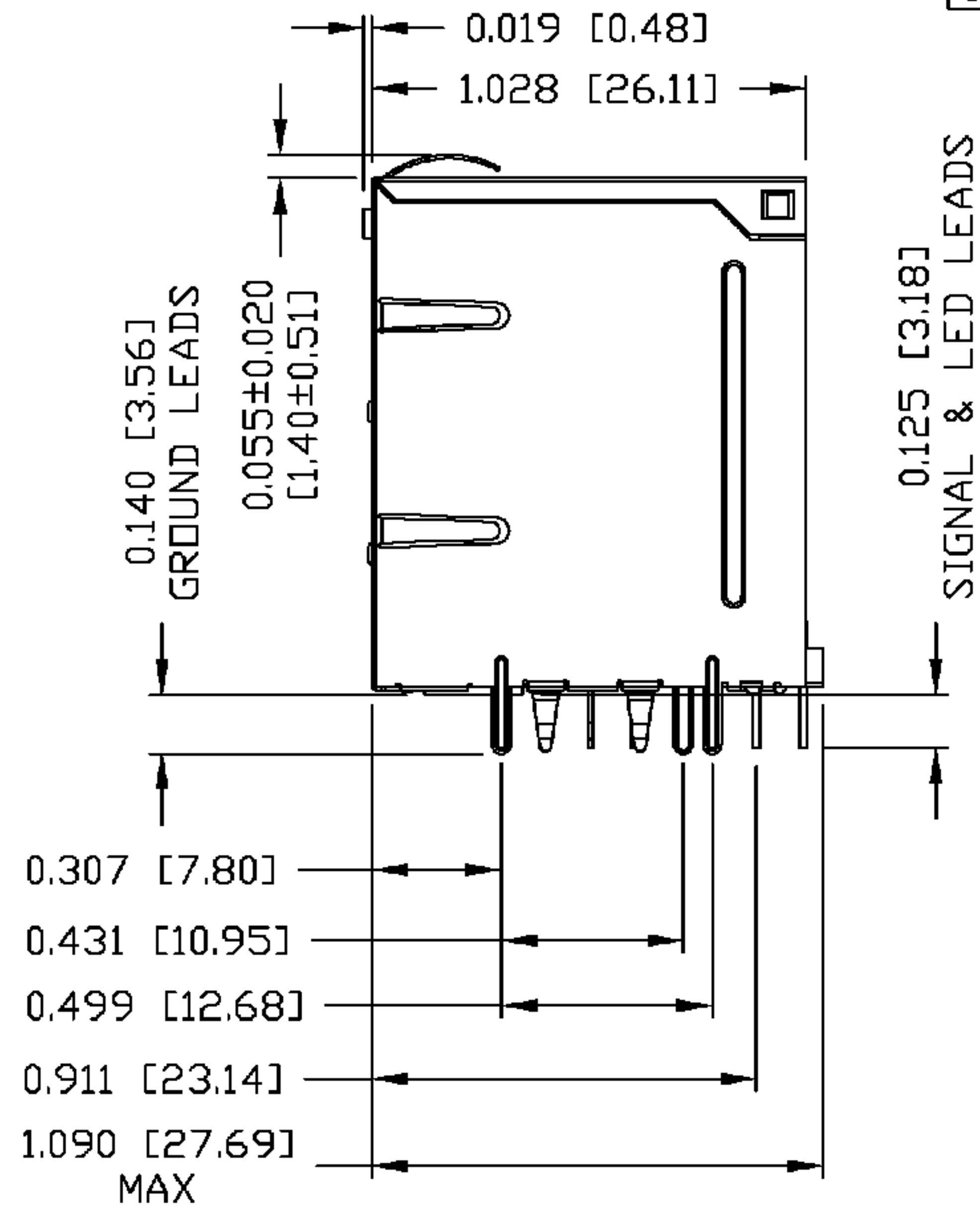
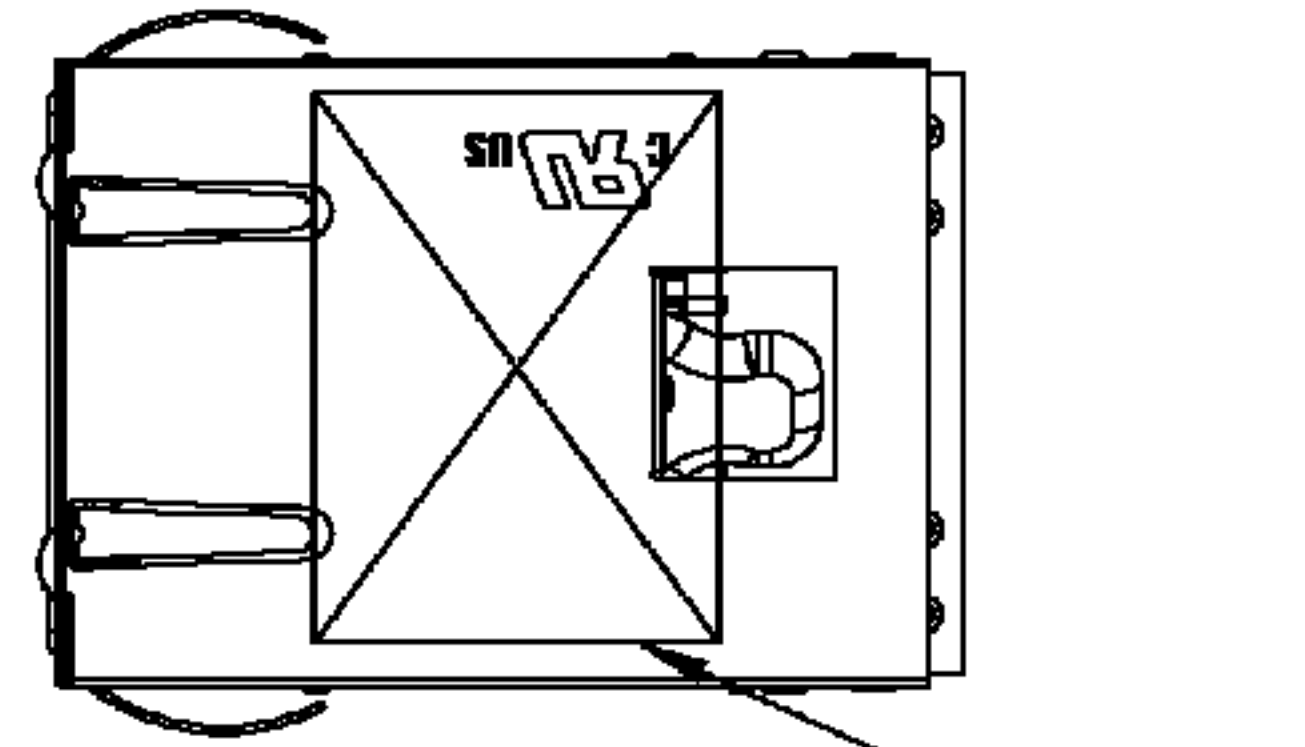
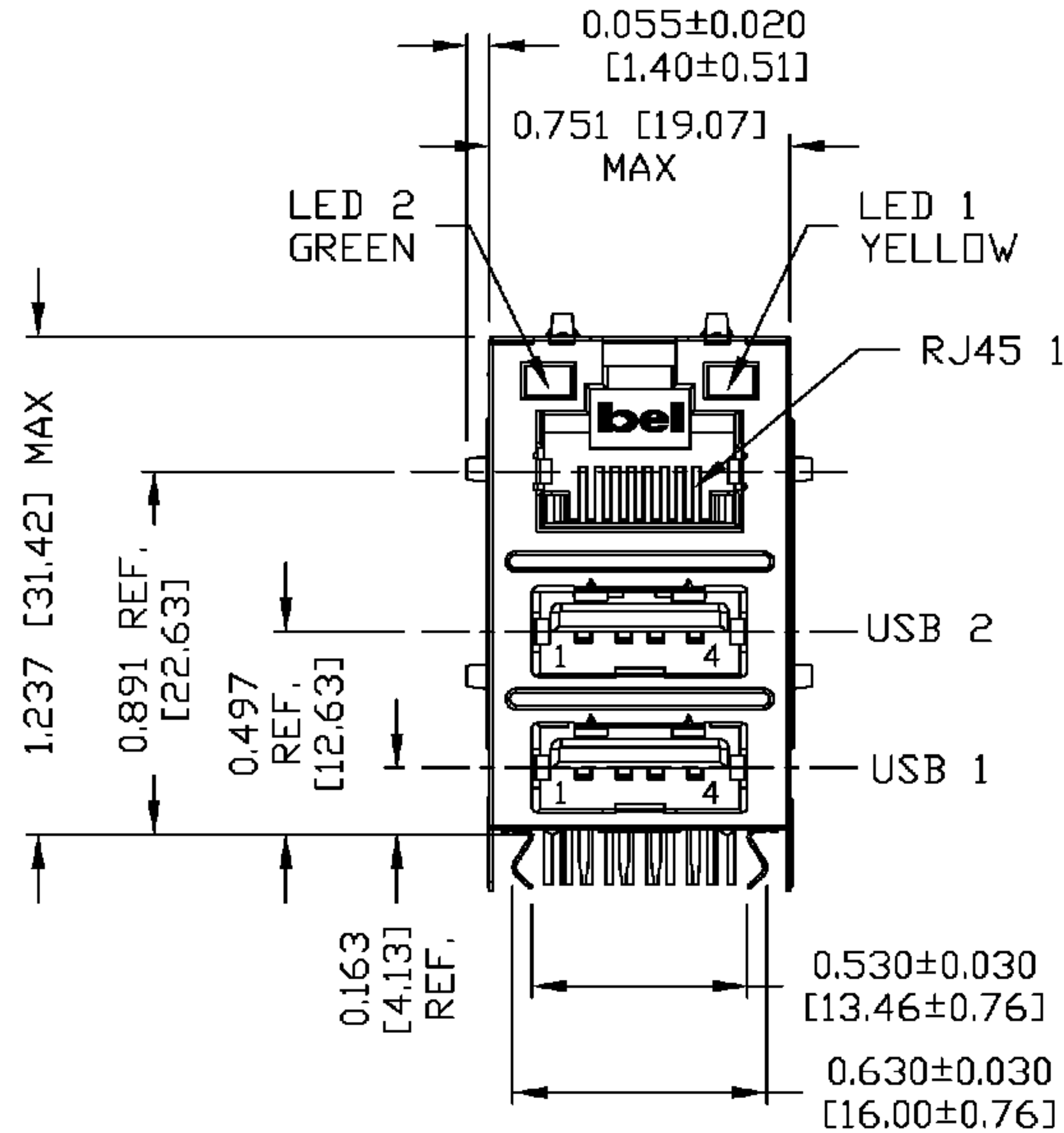
SCHEMATIC



ORIGINATED BY CHUNG	DATE 04-12-06	TITLE MagJack® Combo (Staggered pin)	PART NO. / DRAWING NO. C893-1A1T-E5	STANDARD DIM. TOL. IN INCH	[] METRIC DIM. AS REFERENCE	<p>COMPONENTS ON A CONNECTED PLANET</p>	
DRAWN BY DE	DATE 04-12-06		FILE NAME C8931A1TE5C.DWG	.X	UNIT : INCH [mm]		REV. : C
				.XX	SCALE : N/A		SIZE : A4
				.XXX		PAGE : 2	

THE INFORMATION CONTAINED HEREIN IS CONSIDERED "PROPRIETARY" TO BEL FUSE INC. AND SHALL NOT BE COPIED, REPRODUCED OR DISCLOSED WITHOUT THE WRITTEN APPROVAL OF BEL FUSE INC.

MECHANICAL SPECIFICATION



ORIGINATED BY QIN	DATE 04-12-06	TITLE MagJack® Combo (Staggered pin)	PART NO. / DRAWING NO. C893-1A1T-E5	STANDARD DIM. TOL. IN INCH	[] METRIC DIM. AS REFERENCE
DRAWN BY TING	DATE 04-12-06		FILE NAME C8931A1TE5C.DWG	.X .XX .XXX ±0.010	UNIT : INCH [mm] SCALE : N/A

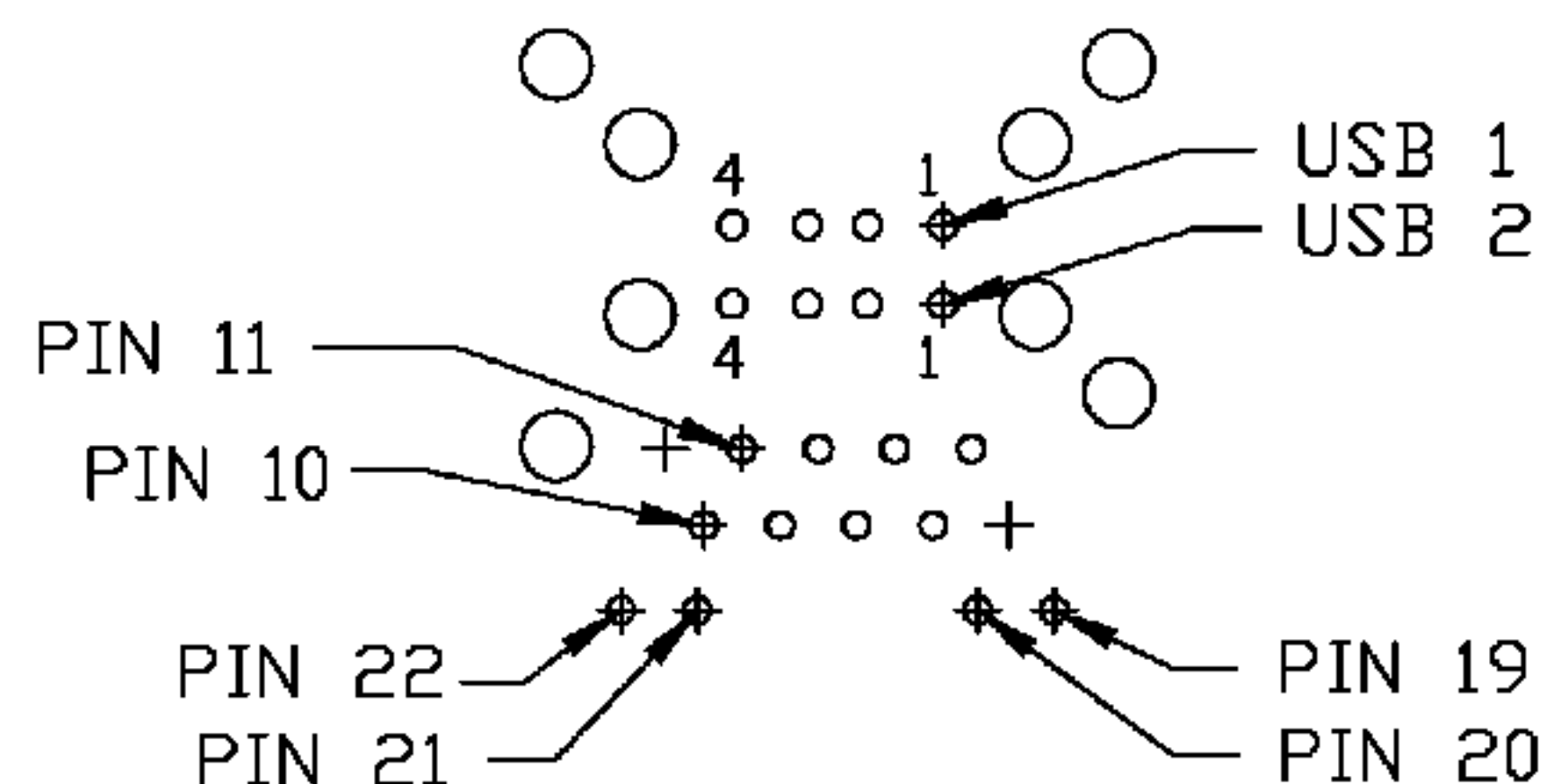
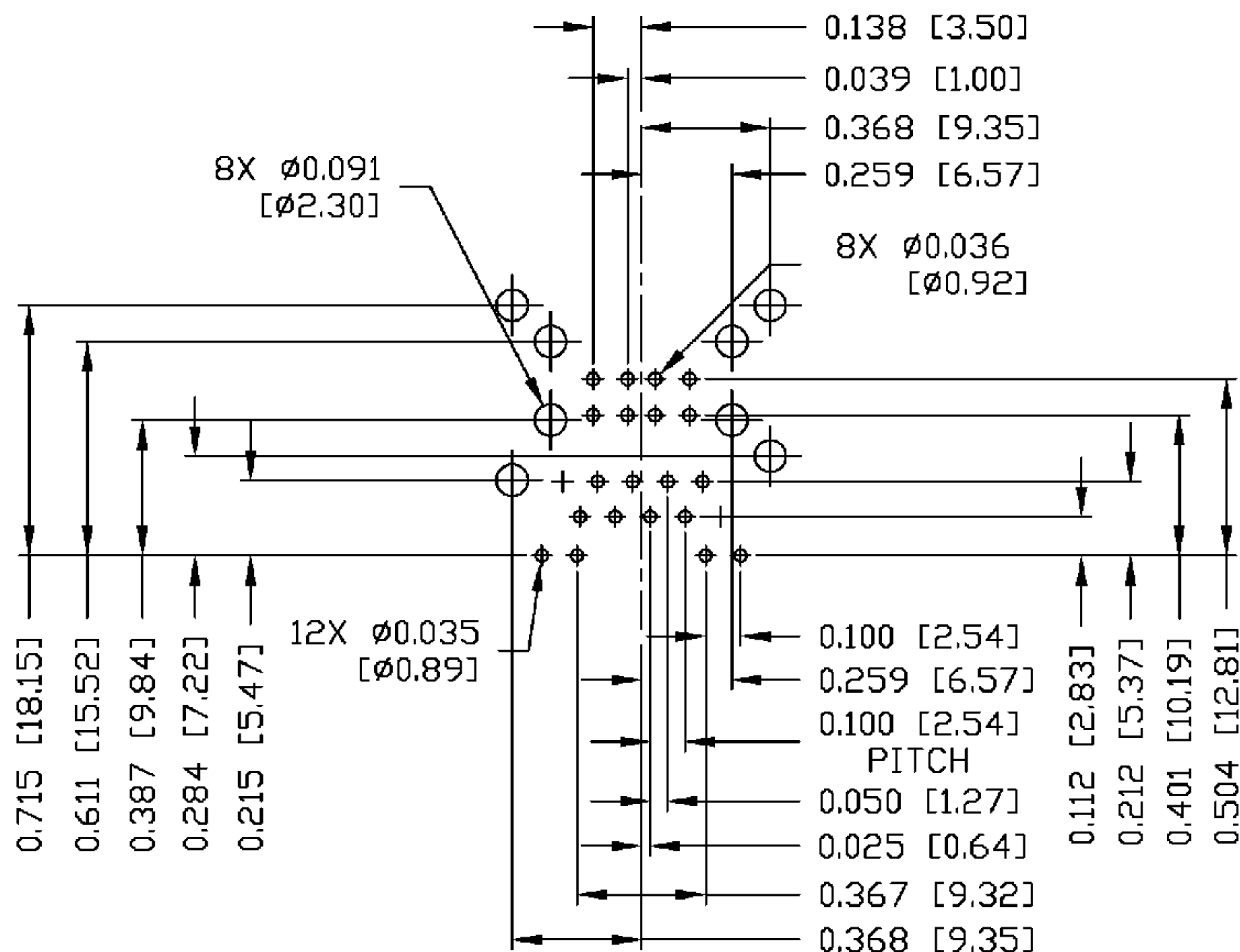


THE INFORMATION CONTAINED HEREIN IS CONSIDERED "PROPRIETARY" TO BEL FUSE INC. AND SHALL NOT BE COPIED, REPRODUCED OR DISCLOSED WITHOUT THE WRITTEN APPROVAL OF BEL FUSE INC.

RoHS
2002/95/EC



Recommended PCB footprint
Component Side



RJ45 MECHANICAL:

PLASTIC HOUSING: THERMOPLASTIC PBT
 FLAMMABILITY RATING UL 94V-0
 CONTACTS PLATING: 50 MICRO-INCH HARD GOLD PLATING
 PINS: TIN-COATED CP WIRE, DIA 0.018 INCH.
 METAL SHIELD: NICKEL PLATED ON COPPER ALLOY.
 (ALL GROUND LEADS ARE SOLDER DIPPED)

USB MECHANICAL:

MATING FORCE: 35 NEWTONS MAXIMUM
 UNMATING FORCE: 10 NEWTONS MINIMUM
 CONTACT: PHOSPHOR BRONZE
 30 MICRO-INCH GOLD PLATING ON CONTACT AREA AND TIN ON SOLDER TAIL.

[1] MARK PART WITH MFG LOGO, MFG NAME, PART NUMBER, AND DATE CODE.

UL RECOGNIZED - FILE #E196366 AND E169987.

RoHS COMPLIANCE, PER EU DIRECTIVE 2002/95/EC.

JACK CAVITY CONFORMS TO FCC RULES AND REGULATIONS.

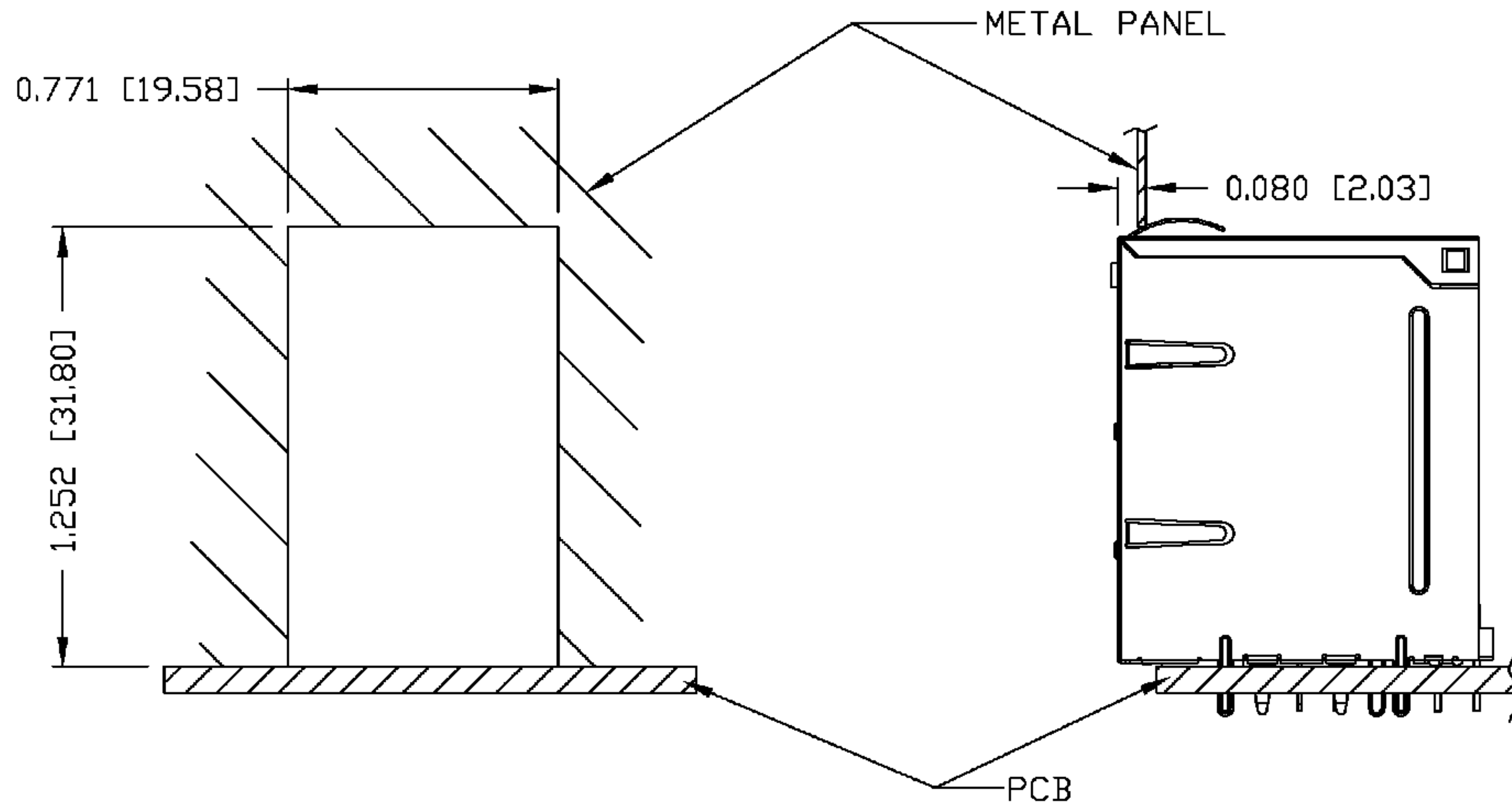
ORIGINATED BY QIN	DATE 04-12-06	TITLE MagJack® Combo (Staggered pin)	PART NO. / DRAWING NO. C893-1A1T-E5	STANDARD DIM. TOL. IN INCH .X	[] METRIC DIM. AS REFERENCE UNIT : INCH [mm]	REV. : C
DRAWN BY TING	DATE 04-12-06		FILE NAME C8931A1TE5C.DWG	.XX	SCALE : N/A	SIZE : A4
				.XXX ±0.004		PAGE : 4



THE INFORMATION CONTAINED HEREIN IS CONSIDERED "PROPRIETARY" TO BEL FUSE INC. AND SHALL NOT BE COPIED, REPRODUCED OR DISCLOSED WITHOUT THE WRITTEN APPROVAL OF BEL FUSE INC.



SUGGESTED PANEL OPENING



NOTE:

THE DISTANCE OF PANEL INSIDE SURFACE RELATIVE TO FRONT SURFACE OF PART IS ONLY A SUGGESTION. IN CASE THIS DISTANCE IS DIFFERENT, THE REQUIRED PANEL OPENING DIMENSIONS CHANGE ACCORDINGLY.

PACKING INFORMATION

PACKING TRAY : 0200-9999-H3 (TOP)
0200-9999-H4 (BOTTOM)

PACKING QUANTITY : 35 PCS FINISHED GOODS PER TRAY
9 TRAYS (315 PCS FINISHED GOODS) PER CARTON BOX

NOTE : CARDBOARDS ARE PLACED BETWEEN LAYERS OF PACKING TRAY INSIDE CARTON BOX
(INCLUDE THE UPPERMOST AND LOWERMOST TRAY)

ORIGINATED BY QIN	DATE 04-12-06	TITLE MagJack® Combo (Staggered pin)	PART NO. / DRAWING NO. C893-1A1T-E5	STANDARD DIM. TOL. IN INCH	[] METRIC DIM. AS REFERENCE	
	DRAWN BY TING		DATE 04-12-06	FILE NAME C8931A1TE5C.DWG	.X	UNIT : INCH [mm]
				.XX	SCALE : N/A	SIZE : A4
				.XXX ±0.004		PAGE : 5

