

THE INFORMATION CONTAINED HEREIN IS CONSIDERED "PROPRIETARY" TO BEL FUSE INC. AND SHALL NOT BE COPIED, REPRODUCED OR DISCLOSED WITHOUT THE WRITTEN APPROVAL OF BEL FUSE INC.

LED 1 & 3 POLARITY			LED 2 & 4 POLARITY		
PIN 9	PIN 10	COLOR	PIN 7	PIN 8	COLOR
+	-	YELLOW	-	+	ORANGE
			+	-	GREEN

PRELIMINARY



ELECTRICAL CHARACTERISTICS @ 25°C

URNS RATIO

TP1 1CT : 1CT ±2%
 TP2 1CT : 1CT ±2%

OCL @ 100kHz/100mVRMS 350µH MIN.
 8mA DC BIAS (0°C - 70°C)

INS. LOSS

0.1MHz TO 1MHz -1.1 dB MAX
 1MHz TO 65MHz -0.5 dB MAX
 65MHz TO 100MHz -1.0 dB MAX

RET. LOSS (MIN) @ 100ΩHMS ±15%

0.5MHz-40MHz -18 dB
 40MHz-80MHz -12+20LOG(f/80MHz) dB

CM TO CM REJ

100kHz - 100MHz -30 dB MIN

CM TO DM REJ

100kHz - 100MHz -35 dB MIN

CROSS TALK (TX - RX)

100kHz - 100MHz -35 dB MIN

HIPOT (Isolation Voltage): 1500 Vrms

100% OF PRODUCTION TESTED TO COMPLY WITH IEEE 802.3 ISOLATION REQUIREMENTS.

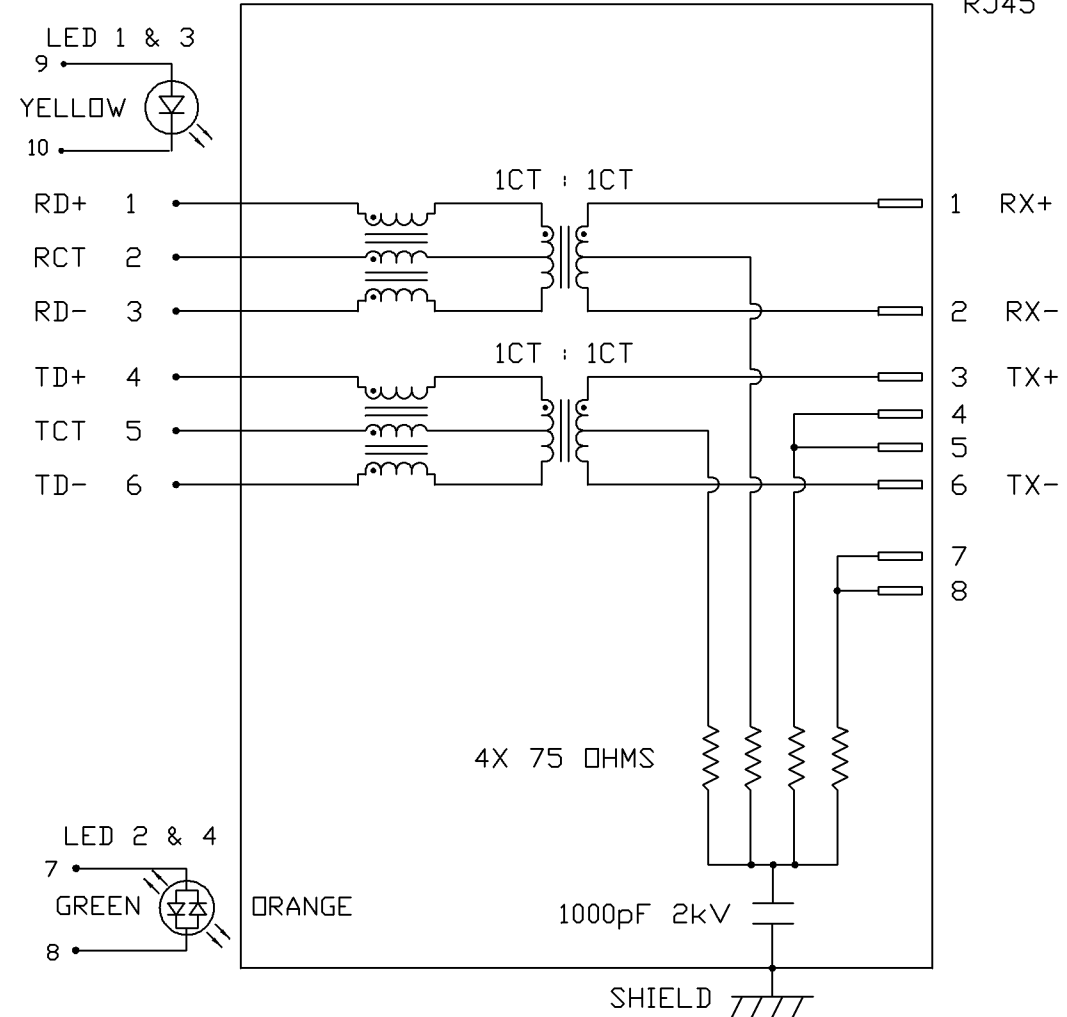
LED 1 & 3

VF (FORWARD VOLTAGE) IF=20mA YELLOW 2.1V TYP.
 λD (DOMINANT WAVELENGTH) IF=20mA YELLOW 590nm TYP.

LED 2 & 4

VF (FORWARD VOLTAGE) IF=20mA GREEN 2.2V TYP.
 ORANGE 2.0V TYP.
 λD (DOMINANT WAVELENGTH) IF=20mA GREEN 565nm TYP.
 ORANGE 610nm TYP.

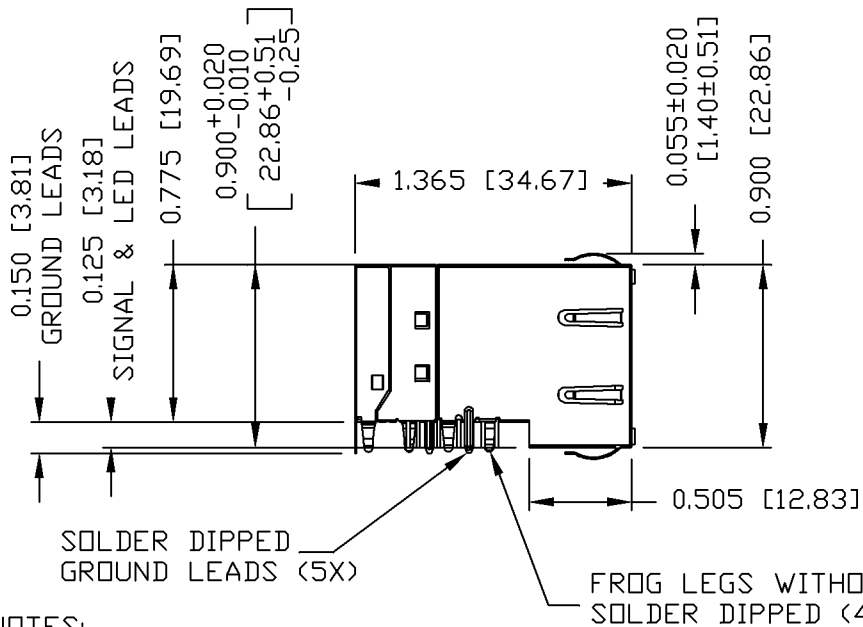
SCHEMATIC



ORIGINATED BY	DATE	TITLE	PART NO. / DRAWING NO.	STANDARD DIM. TOL. IN INCH	[] METRIC DIM. AS REFERENCE	 COMPONENTS FOR A CONNECTED PLANET	
CHOW WANCHUNG	01-13-09	2X4 MagJack®	C850-2X4R-Y9	.X	UNIT : INCH [mm]		REV. : PB
DRAWN BY	DATE		FILE NAME	.XX	SCALE : N/A		SIZE : A4
LEE WEIDE	01-13-09		C850-2X4R-Y9_PB.DWG	.XXX	⊕		PAGE : 2

THE INFORMATION CONTAINED HEREIN IS CONSIDERED "PROPRIETARY" TO BEL FUSE INC. AND SHALL NOT BE COPIED, REPRODUCED OR DISCLOSED WITHOUT THE WRITTEN APPROVAL OF BEL FUSE INC.

PRELIMINARY

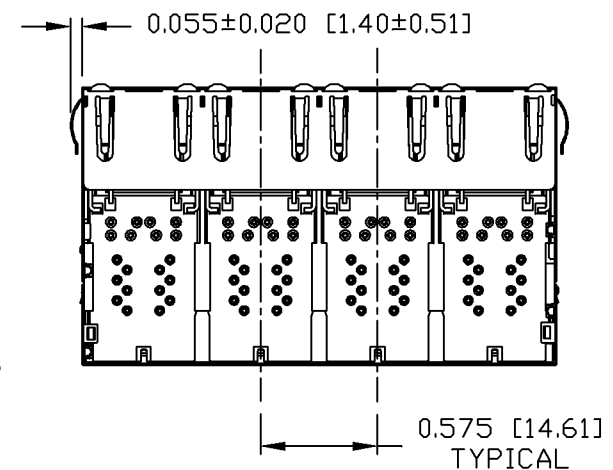
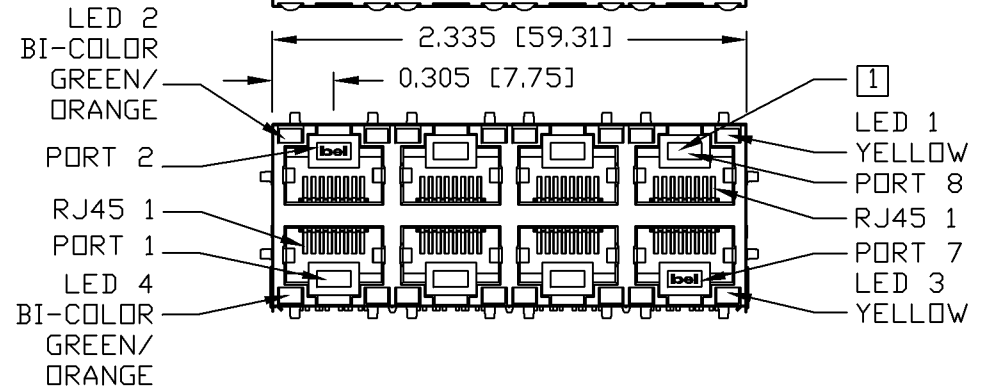


NOTES:

- PLASTIC HOUSING: THERMOPLASTIC PBT
 FLAMMABILITY RACHRIS UL 94V-0
- CONTACT PLACHRIS: 50 MICRO-INCH HARD GOLD PLACHRIS
- OUTPUT PINS: TIN-COATED COPPER WIRE, DIA 0.018 INCH.
- METAL SHIELD: NICKEL PLATED ON COPPER ALLOY.
 (ALL GROUND LEADS ARE SOLDER DIPPED)
 FROG LEGS ARE FOR PCB RETENTION FORCE ONLY AND NOT FOR GROUNDING PURPOSE

- 1. JACK CAVITY CONFORMS TO FCC RULES AND REGULATIONS, PART 68 SUBPART F.
- 2. MARK PART WITH MFG LOGO, MFG NAME, PART NUMBER, AND DATE CODE.

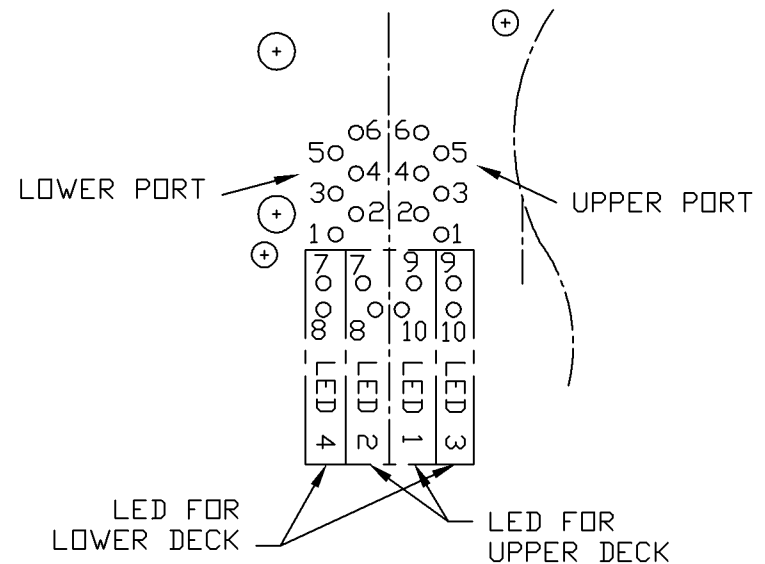
US UL RECOGNIZED - FILE #E196366 AND E169987.
 RoHS COMPLIANCE, PER EU DIRECTIVE 2002/95/EC.



ORIGINATED BY	DATE	TITLE	PART NO. / DRAWING NO.	STANDARD DIM.		[] METRIC DIM. AS REFERENCE		
HOWFAR WEI	01-13-09			C850-2X4R-Y9		TOL. IN INCH	UNIT : INCH [mm]	
DRAWN BY	DATE	2X4 MagJack®	FILE NAME	.X	±0.010	SCALE : N/A	SIZE : A4	PAGE : 3
JOLLY LUO	01-13-09			.XX		C850-2X4R-Y9_PB.DWG	COMPONENTS FOR A CONNECTED PLANET	
				.XXX				

THE INFORMATION CONTAINED HEREIN IS CONSIDERED "PROPRIETARY" TO BEL FUSE INC. AND SHALL NOT BE COPIED, REPRODUCED OR DISCLOSED WITHOUT THE WRITTEN APPROVAL OF BEL FUSE INC.

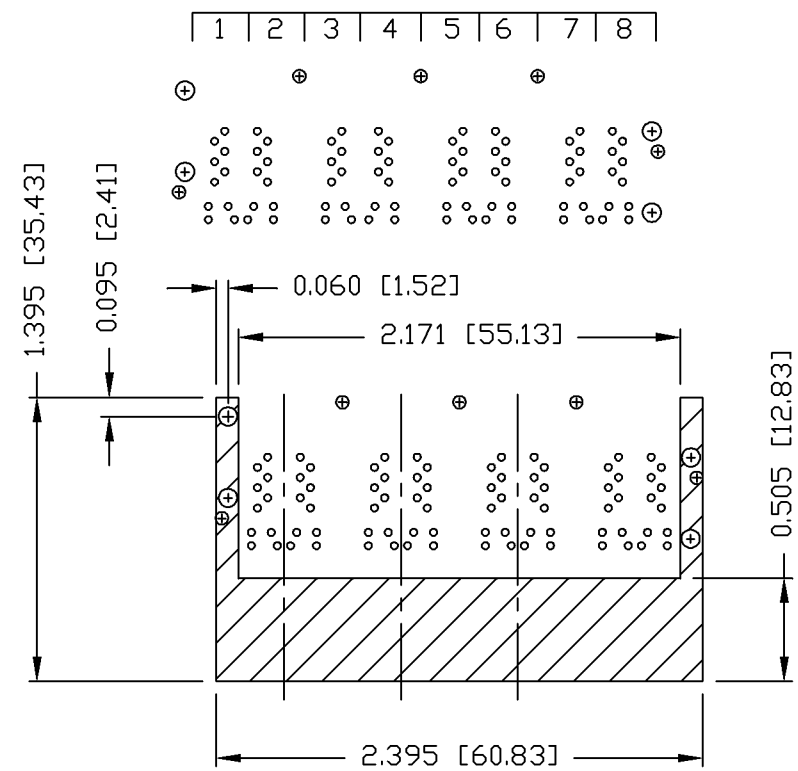
PRELIMINARY



PIN-OUT INFORMATION
(COMPONENT SIDE VIEW)

6	TD-
5	TCT
4	TD+
3	RD-
2	RCT
1	RD+

PORT ASSIGNMENT
(COMPONENT SIDE VIEW)

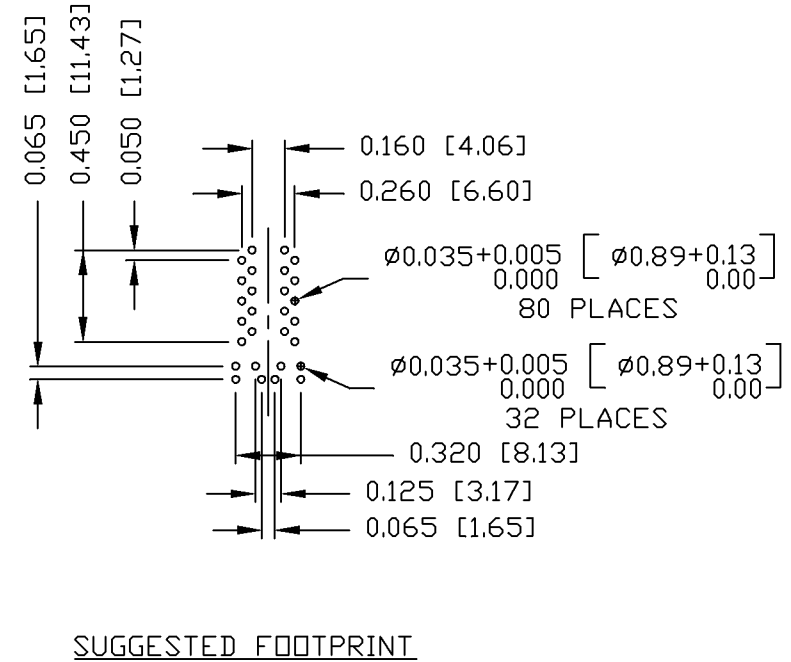
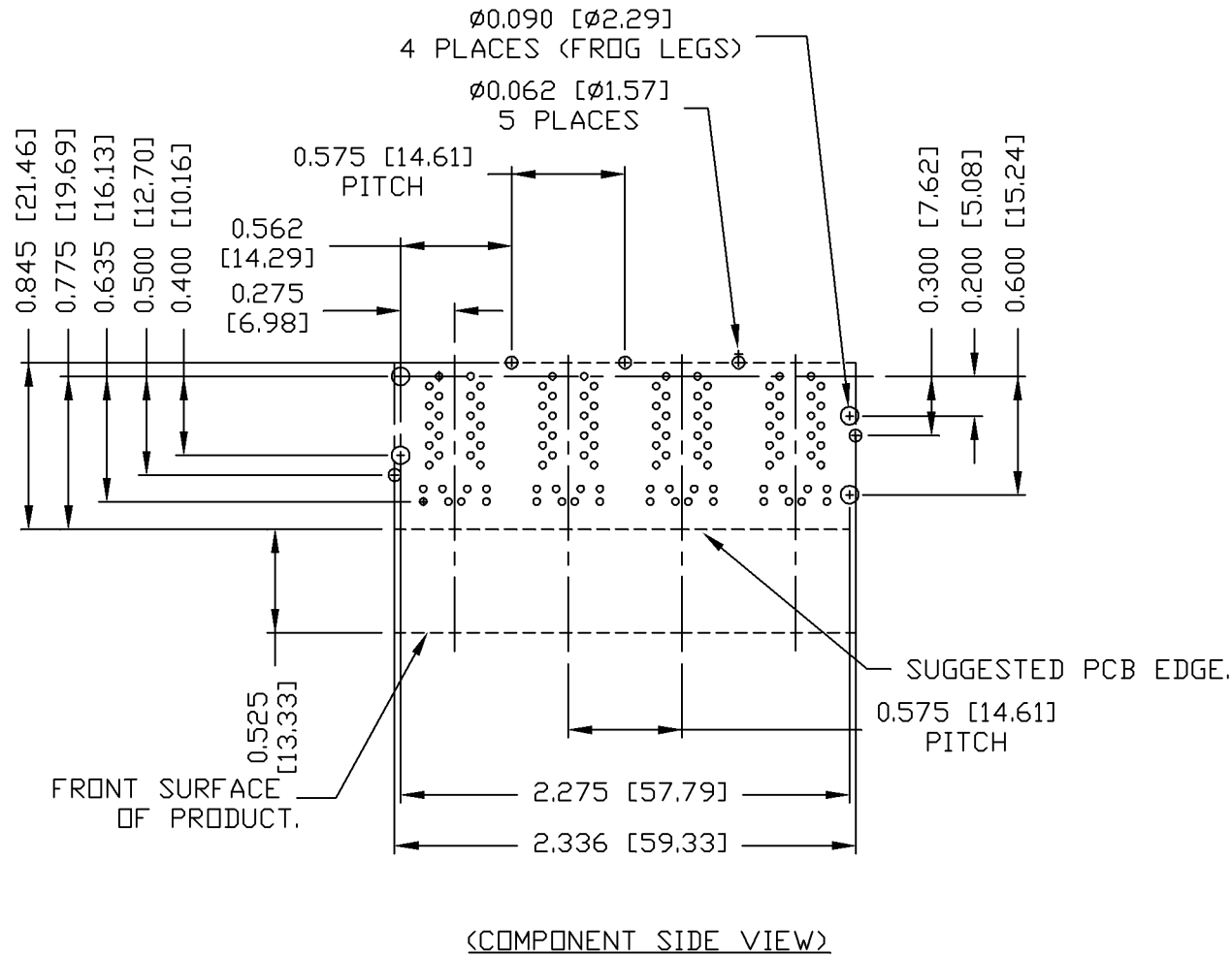


THE SHADED AREA ON THE CUSTOMER BOARD ARE RECOMMENDED TO BE CLEAR OFF ANY VIA HOLE OR COMPONENT PAD.

ORIGINATED BY HOWFAR WEI	DATE 01-13-09	TITLE 2X4 MagJack®	PART NO. / DRAWING NO. C850-2X4R-Y9	STANDARD DIM. TOL. IN INCH	[] METRIC DIM. AS REFERENCE	 COMPONENTS OR A CONNECTED PLANET	
DRAWN BY JOLLY LUO	DATE 01-13-09		FILE NAME C850-2X4R-Y9_PB.DWG	.X	UNIT : INCH [mm]		REV. : PB
				.XX	SCALE : N/A		SIZE : A4
			.XXX	±0.004		PAGE : 4	

THE INFORMATION CONTAINED HEREIN IS CONSIDERED "PROPRIETARY" TO BEL FUSE INC. AND SHALL NOT BE COPIED, REPRODUCED OR DISCLOSED WITHOUT THE WRITTEN APPROVAL OF BEL FUSE INC.

PRELIMINARY



ORIGINATED BY	DATE
HOWFAR WEI	01-13-09
DRAWN BY	DATE
JOLLY LUO	01-13-09

TITLE	2X4 MagJack®
-------	--------------

PART NO. / DRAWING NO.	C850-2X4R-Y9
FILE NAME	C850-2X4R-Y9_PB.DWG

STANDARD DIM. TOL. IN INCH	[] METRIC DIM. AS REFERENCE
.X	UNIT : INCH [mm]
.XX	SCALE : N/A
.XXX	±0.004

REV. : PB	SIZE : A4
PAGE : 5	

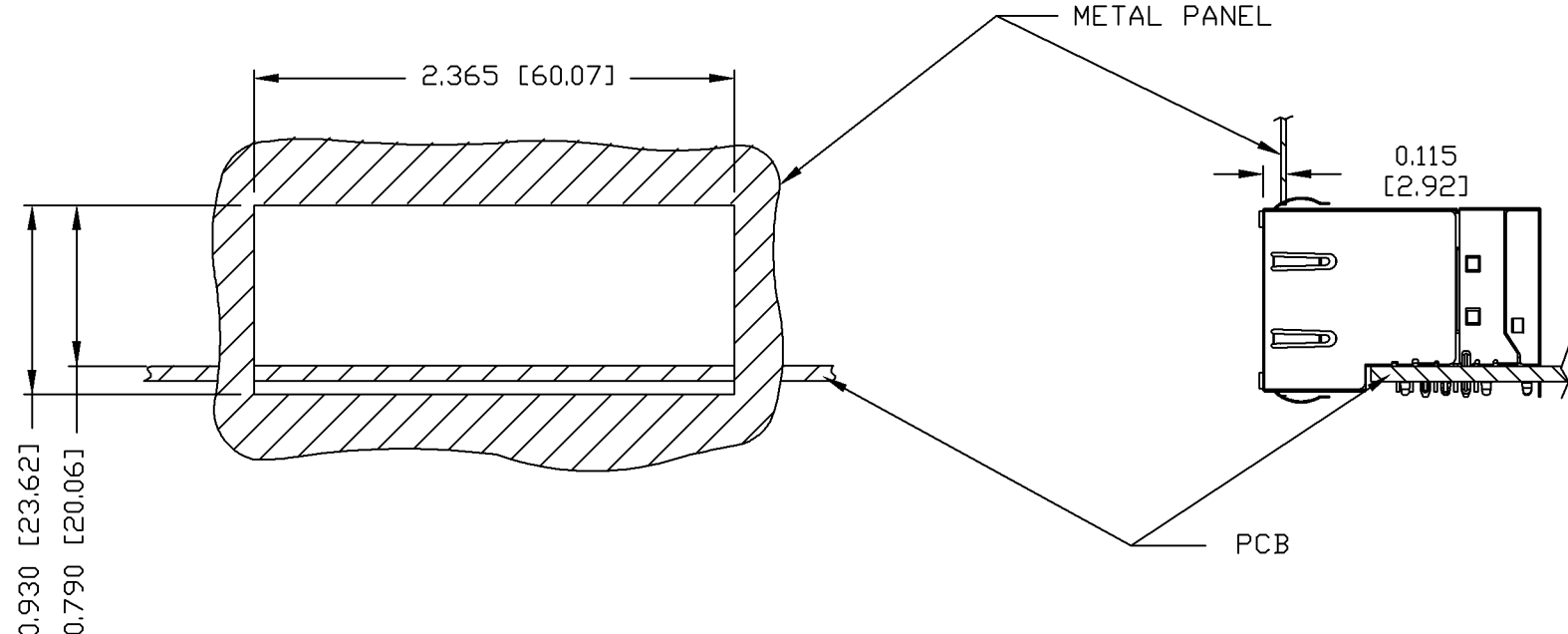


THE INFORMATION CONTAINED HEREIN IS CONSIDERED "PROPRIETARY" TO BEL FUSE INC. AND SHALL NOT BE COPIED, REPRODUCED OR DISCLOSED WITHOUT THE WRITTEN APPROVAL OF BEL FUSE INC.

PRELIMINARY



SUGGESTED PANEL OPENING



NOTE:

THE DISTANCE OF PANEL INSIDE SURFACE RELATIVE TO FRONT SURFACE OF PART IS ONLY A SUGGESTION. IN CASE THIS DISTANCE IS DIFFERENT, THE REQUIRED PANEL OPENING DIMENSIONS CHANGE ACCORDINGLY.

PACKING INFORMATION

PACKING TRAY : 0200-9999-L1 (TOP)
 0200-9999-L2 (BOTTOM)

PACKING QUANTITY : 20 PCS FINISHED GOODS PER TRAY.
 6 TRAYS (120 PCS FINISHED GOODS) PER CARTON BOX.

NOTE : CARDBOARDS ARE PLACED BETWEEN LAYERS OF PACKING TRAY INSIDE CARTON BOX.
 (INCLUDE THE UPPERMOST AND LOWERMOST TRAY)

ORIGINATED BY	DATE	TITLE	PART NO. / DRAWING NO.	STANDARD DIM. TOL. IN INCH	[] METRIC DIM. AS REFERENCE
HOWFAR WEI	01-13-09	2X4 MagJack®	C850-2X4R-Y9	.X	UNIT : INCH [mm]
DRAWN BY	DATE		FILE NAME	.XX	SCALE : N/A
JOLLY LUO	01-13-09		C850-2X4R-Y9_PB.DWG	.XXX	±0.004
					REV. : PB
					SIZE : A4
					PAGE : 6

