

THE INFORMATION CONTAINED HEREIN IS CONSIDERED "PROPRIETARY" TO BEL FUSE INC. AND SHALL NOT BE COPIED, REPRODUCED OR DISCLOSED WITHOUT THE WRITTEN APPROVAL OF BEL FUSE INC.

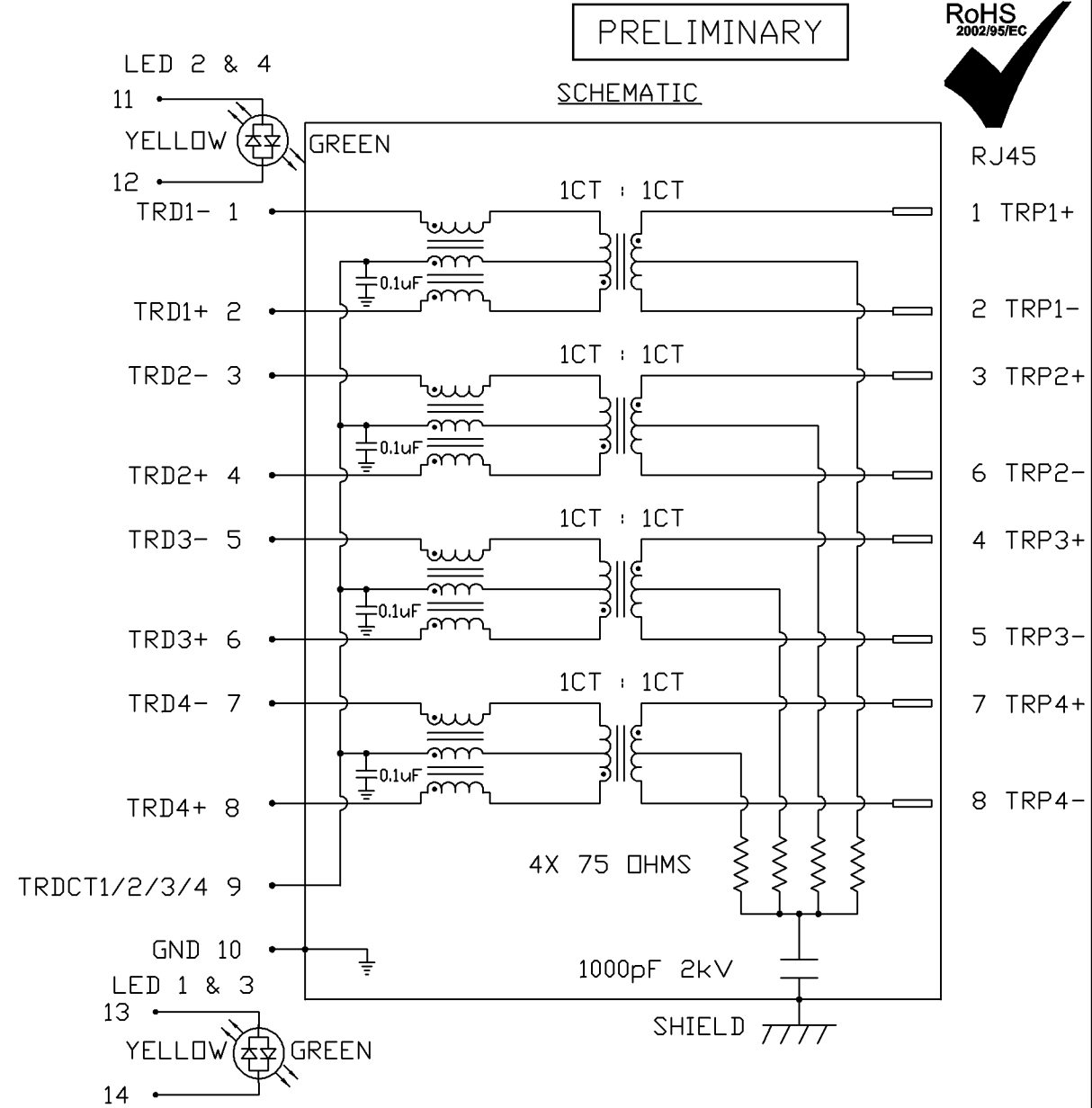
PRELIMINARY



LED 2 & 4 POLARITY			LED 1 & 3 POLARITY		
PIN 11	PIN 12	COLOR	PIN 13	PIN 14	COLOR
+	-	GREEN	+	-	GREEN
-	+	YELLOW	-	+	YELLOW

ELECTRICAL CHARACTERISTICS @ 25°C

TURNS RATIO	
TP1	1CT : 1CT ±2%
TP2	1CT : 1CT ±2%
TP3	1CT : 1CT ±2%
TP4	1CT : 1CT ±2%
OCL @ 100kHz/100mVRMS	
8mA DC BIAS	350µH MIN.
INS. LOSS	
0.1MHz TO 1MHz	-1.1 dB MAX
1MHz TO 65MHz	-0.5 dB MAX
65MHz TO 100MHz	-0.8 dB MAX
100MHz TO 125MHz	-1.2 dB MAX
RET. LOSS (MIN)	
0.5MHz-40MHz	-18 dB
40MHz-100MHz	-12+20LOG(f/80MHz) dB
CM TO CM REJ	
100kHz - 100MHz	-30 dB MIN
CM TO DM REJ	
100kHz - 100MHz	-35 dB MIN
HIPOT (Isolation Voltage):	
	1500 Vrms
100% OF PRODUCTION TESTED TO COMPLY WITH IEEE 802.3 ISOLATION REQUIREMENTS.	
LED 1,LED 2,LED 3 & LED 4	
VF (FORWARD VOLTAGE)	IF=20mA GREEN 2.2V TYP. YELLOW 2.1V TYP.
λD (DOMINANT WAVELENGTH)	IF=20mA GREEN 565nm TYP. YELLOW 590nm TYP.

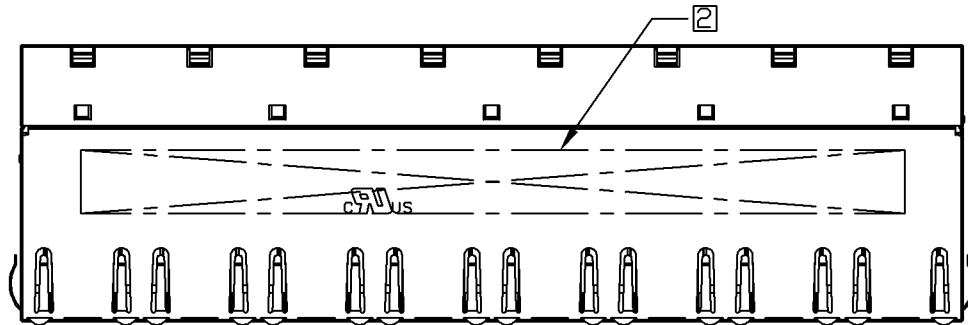
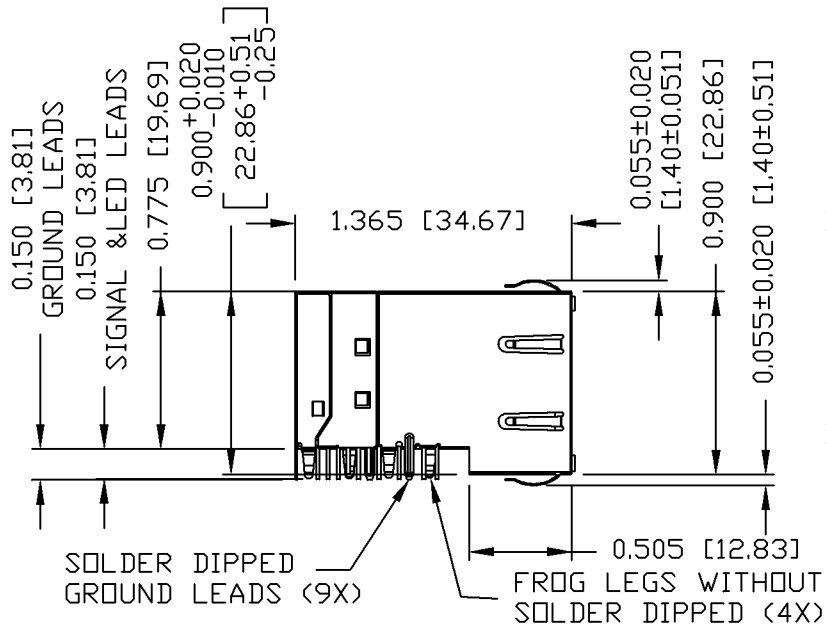


ORIGINATED BY	DATE	TITLE	PART NO. / DRAWING NO.	STANDARD DIM. TOL. IN INCH	[ ] METRIC DIM. AS REFERENCE
CHOW WANCHUNG	01-13-09	2X8 gigabit MagJack® COMPRESSOR SERIES (8 Cores) (<0.150 INCH PIN LENGTH)	C850-2S8R-CG	.X	UNIT : INCH [mm]
DRAWN BY	DATE			.XX	REV. : PB
WEIDE LEE	01-13-09			.XXX	SCALE : N/A
			FILE NAME	C850-2S8R-CG_PB.DWG	SIZE : A4
					PAGE : 2

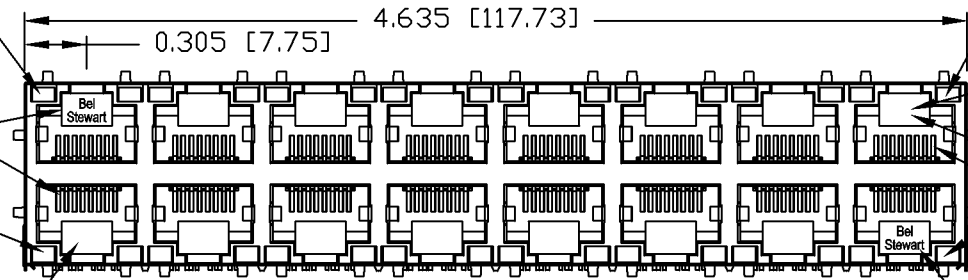


THE INFORMATION CONTAINED HEREIN IS CONSIDERED "PROPRIETARY" TO BEL FUSE INC. AND SHALL NOT BE COPIED, REPRODUCED OR DISCLOSED WITHOUT THE WRITTEN APPROVAL OF BEL FUSE INC.

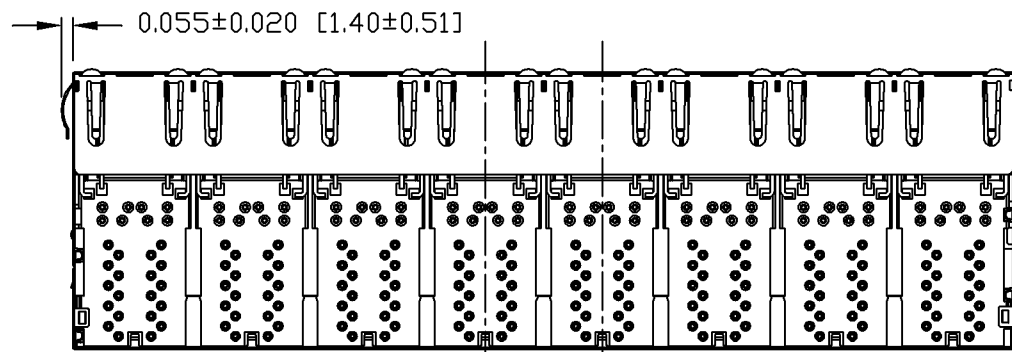
PRELIMINARY



LED 2  
BI-COLOR  
GREEN/  
YELLOW  
PORT 2  
RJ45 1  
LED 4  
BI-COLOR  
GREEN/  
YELLOW  
PORT 1



LED 1  
BI-COLOR  
GREEN/  
YELLOW  
1  
PORT 16  
RJ45 1  
LED 3  
BI-COLOR  
GREEN/  
YELLOW  
PORT 15



**NOTES:**  
 PLASTIC HOUSING: THERMOPLASTIC PBT  
 FLAMMABILITY RATING UL 94V-0  
 CONTACT PLATING: 50 MICRO-INCH HARD GOLD PLATING  
 OUTPUT PINS: TIN-COATED COPPER WIRE, DIA 0.018 INCH.  
 METAL SHIELD: NICKEL PLATED ON COPPER ALLOY.  
 (ALL GROUND LEADS ARE SOLDER DIPPED)  
 FROG LEGS ARE FOR PCB RETENTION FORCE ONLY AND NOT FOR GROUNDING PURPOSE

- 1. JACK CAVITY CONFORMS TO FCC RULES AND REGULATIONS, PART 68 SUBPART F.
- 2. MARK PART WITH MFG LOGO, MFG NAME, PART NUMBER, AND DATE CODE.

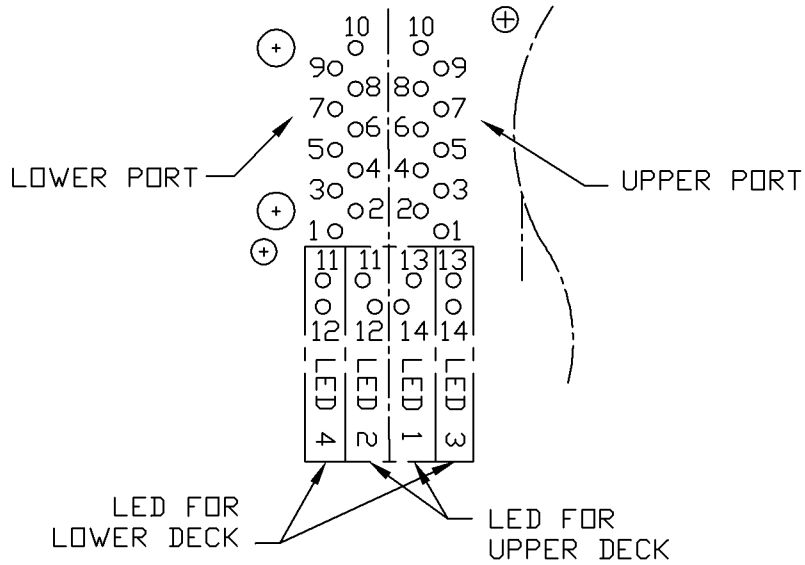
c us UL RECOGNIZED - FILE #E196366 AND E169987.  
 RoHS COMPLIANCE, PER EU DIRECTIVE 2002/95/EC.

ORIGINATED BY HOWFAR WEI	DATE 01-13-09	TITLE 2X8 gigabit MagJack® COMPRESSOR SERIES (8 Cores) (0.150 INCH PIN LENGTH)	PART NO. / DRAWING NO. C850-2S8R-CG	STANDARD DIM. TOL. IN INCH		[ ] METRIC DIM. AS REFERENCE		REV. : PB	bel
	DRAWN BY JOLLY LUD			DATE 01-13-09	FILE NAME C850-2S8R-CG_PB.DWG	.X .XX .XXX	±0.010		

THE INFORMATION CONTAINED HEREIN IS CONSIDERED "PROPRIETARY" TO BEL FUSE INC. AND SHALL NOT BE COPIED, REPRODUCED OR DISCLOSED WITHOUT THE WRITTEN APPROVAL OF BEL FUSE INC.

PRELIMINARY

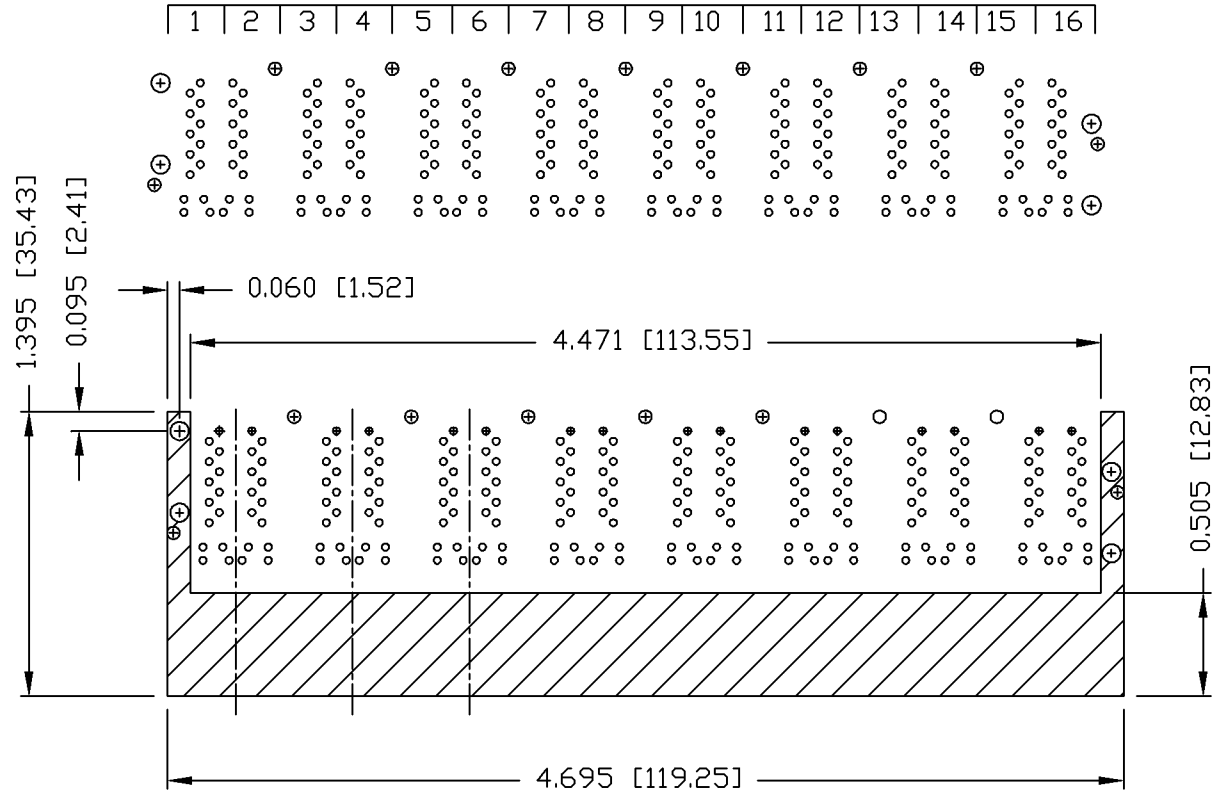
RoHS  
2002/95/EC



PIN-OUT INFORMATION  
(COMPONENT SIDE VIEW)

14	GREEN (-)/YELLOW (+)
13	GREEN (+)/YELLOW (-)
12	GREEN (-)/YELLOW (+)
11	GREEN (+)/YELLOW (-)
10	GND
9	TRDCT1/2/3/4
8	TRD 4+
7	TRD 4-
6	TRD 3+
5	TRD 3-
4	TRD 2+
3	TRD 2-
2	TRD 1+
1	TRD 1-

PORT ASSIGNMENT  
(COMPONENT SIDE VIEW)



THE SHADED AREA ON THE CUSTOMER BOARD ARE RECOMMENDED TO BE CLEAR OFF ANY VIA HOLE OR COMPONENT PAD.

ORIGINATED BY	DATE	TITLE
HOWFAR WEI	01-13-09	2X8 gigabit MagJack® COMPRESSOR SERIES (8 Cores) (0.150 INCH PIN LENGTH)
DRAWN BY	DATE	
JOLLY LUO	01-13-09	

PART NO. / DRAWING NO.	STANDARD DIM. TOL. IN INCH
C850-2S8R-CG	.X / .XX / .XXX ±0.004
FILE NAME	
C850-2S8R-CG_PB.DWG	

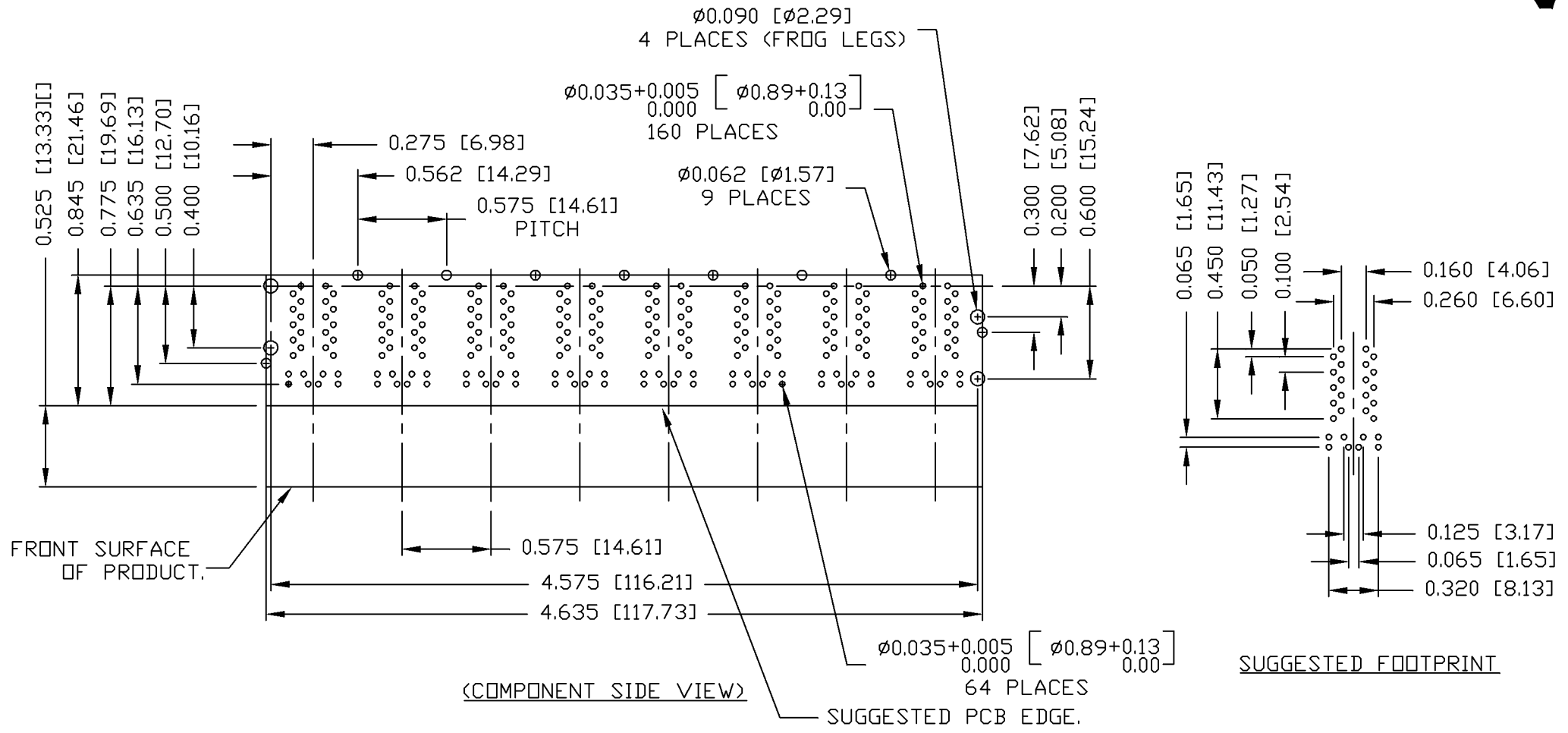
[ ] METRIC DIM. AS REFERENCE	REV. : PB
UNIT : INCH [mm]	SIZE : A4
SCALE : N/A	PAGE : 4

[ ] METRIC DIM. AS REFERENCE	
UNIT : INCH [mm]	REV. : PB
SCALE : N/A	SIZE : A4
PAGE : 4	



THE INFORMATION CONTAINED HEREIN IS CONSIDERED "PROPRIETARY" TO BEL FUSE INC. AND SHALL NOT BE COPIED, REPRODUCED OR DISCLOSED WITHOUT THE WRITTEN APPROVAL OF BEL FUSE INC.

PRELIMINARY



ORIGINATED BY	DATE
HOWFAR WEI	01-13-09
DRAWN BY	DATE
JOLLY LUO	01-13-09

TITLE
2X8 gigabit MagJack® COMPRESSOR SERIES (8 Cores) (0.150 INCH PIN LENGTH)

PART NO. / DRAWING NO.
C850-2S8R-CG
FILE NAME
C850-2S8R-CG_PB.DWG

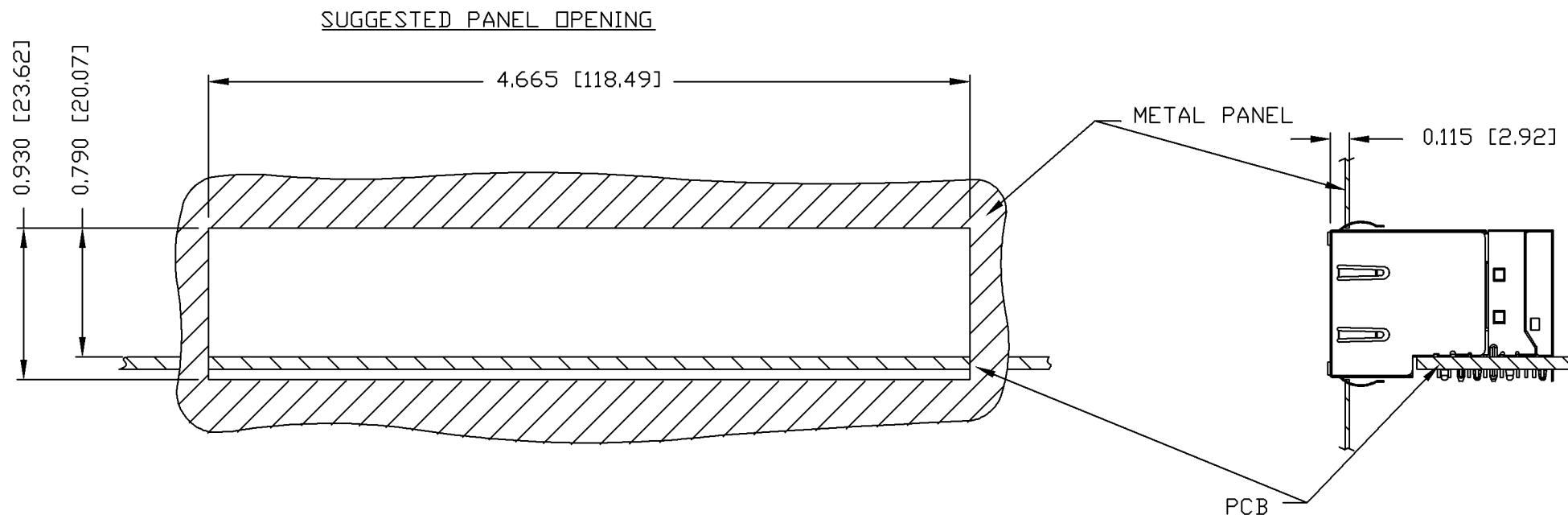
STANDARD DIM. TOL. IN INCH
.X
.XX
.XXX ±0.004

[ ] METRIC DIM. AS REFERENCE
UNIT : INCH [mm]
SCALE : N/A
REV. : PB
SIZE : A4
PAGE : 5



THE INFORMATION CONTAINED HEREIN IS CONSIDERED "PROPRIETARY" TO BEL FUSE INC. AND SHALL NOT BE COPIED, REPRODUCED OR DISCLOSED WITHOUT THE WRITTEN APPROVAL OF BEL FUSE INC.

PRELIMINARY



**NOTE:**

THE DISTANCE OF PANEL INSIDE SURFACE RELATIVE TO FRONT SURFACE OF PART IS ONLY A SUGGESTION. IN CASE THIS DISTANCE IS DIFFERENT, THE REQUIRED PANEL OPENING DIMENSIONS CHANGE ACCORDINGLY.

PACKING INFORMATION

PACKING TRAY : 0200-9999-K7 (TOP)

0200-9999-K8 (BOTTOM)

PACKING QUANTITY : 12 PCS FINISHED GOODS PER TRAY.

6 TRAYS (72 PCS FINISHED GOODS) PER CARTON BOX.

NOTE : CARDBOARDS ARE PLACED BETWEEN LAYERS OF PACKING TRAY INSIDE CARTON BOX.

(INCLUDE THE UPPERMOST AND LOWERMOST TRAY)

ORIGINATED BY HOWFAR WEI	DATE 01-13-09	TITLE 2X8 gigabit MagJack® COMPRESSOR SERIES (8 Cores) (0.150 INCH PIN LENGTH)	PART NO. / DRAWING NO. C850-2S8R-CG		STANDARD DIM. TOL. IN INCH		[ ] METRIC DIM. AS REFERENCE		 COMPONENTS FOR A CONNECTED PLANET
			FILE NAME C850-2S8R-CG_PB.DWG		.X		UNIT : INCH [mm]	REV. : PB	
					.XX		SCALE : N/A	SIZE : A4	
DRAWN BY JOLLY LUO	DATE 01-13-09				.XXX	±0.004		PAGE : 6	