

THE INFORMATION CONTAINED HEREIN IS CONSIDERED "PROPRIETARY" TO BEL FUSE INC. AND SHALL NOT BE COPIED, REPRODUCED OR DISCLOSED WITHOUT THE WRITTEN APPROVAL OF BEL FUSE INC.



LED 1 & 3 POLARITY			LED 2 & 4 POLARITY		
PIN 11	PIN 12	COLOR	PIN 13	PIN 14	COLOR
+	-	GREEN	+	-	GREEN
-	+	YELLOW	-	+	YELLOW

ELECTRICAL CHARACTERISTICS @ 25°C

TURNS RATIO

TP1	1CT : 1CT ±2%
TP2	1CT : 1CT ±2%
TP3	1CT : 1CT ±2%
TP4	1CT : 1CT ±2%

□CL @ 100kHz/100mVRMS

8mA DC BIAS 350µH MIN.

INS. LOSS

0.1MHz TO 1MHz	-1.1 dB MAX
1MHz TO 65MHz	-0.5 dB MAX
65MHz TO 100MHz	-0.8 dB MAX
100MHz TO 125MHz	-1.2 dB MAX

RET. LOSS (MIN)

0.5MHz-40MHz	-18 dB
40MHz-100MHz	-12+20LOG(f/80MHz) dB

CM TO CM REJ

100kHz - 100MHz -30 dB MIN

CM TO DM REJ

100kHz - 100MHz -35 dB MIN

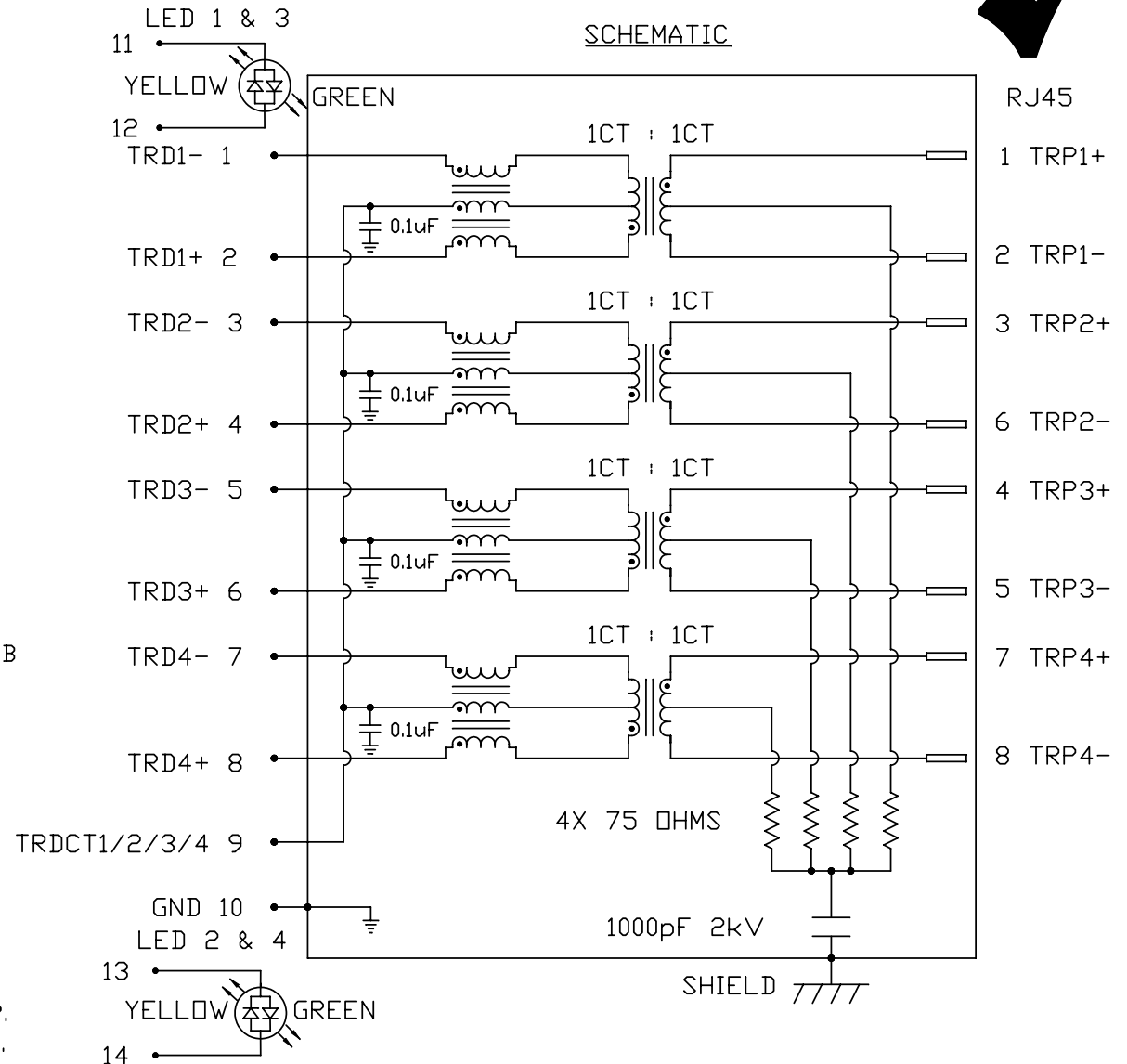
HIPOT (Isolation Voltage):

1500 Vrms

100% OF PRODUCTION TESTED TO COMPLY WITH IEEE 802.3 ISOLATION REQUIREMENTS.

LED 1,LED 2,LED 3 & LED 4

VF (FORWARD VOLTAGE)	IF=20mA	GREEN	2.2V TYP.
		YELLOW	2.1V TYP.
λD (DOMINANT WAVELENGTH)	IF=20mA	GREEN	565nm TYP.
		YELLOW	590nm TYP.

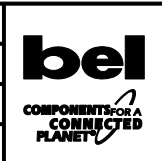


ORIGINATED BY	DATE	TITLE
CHOW WANGCHUNG	06-09-09	2X8 gigabit MagJack® COMPRESSOR SERIES (8 Cores) PATENTED
DRAWN BY	DATE	
LEE WEIDE	06-09-09	

PART NO. / DRAWING NO.	STANDARD DIM. TOL. IN INCH	[] METRIC DIM. AS REFERENCE
C850-2S8R-54	.X .XX .XXX	UNIT : INCH [mm] SCALE : N/A REV. : A SIZE : A4 PAGE : 2

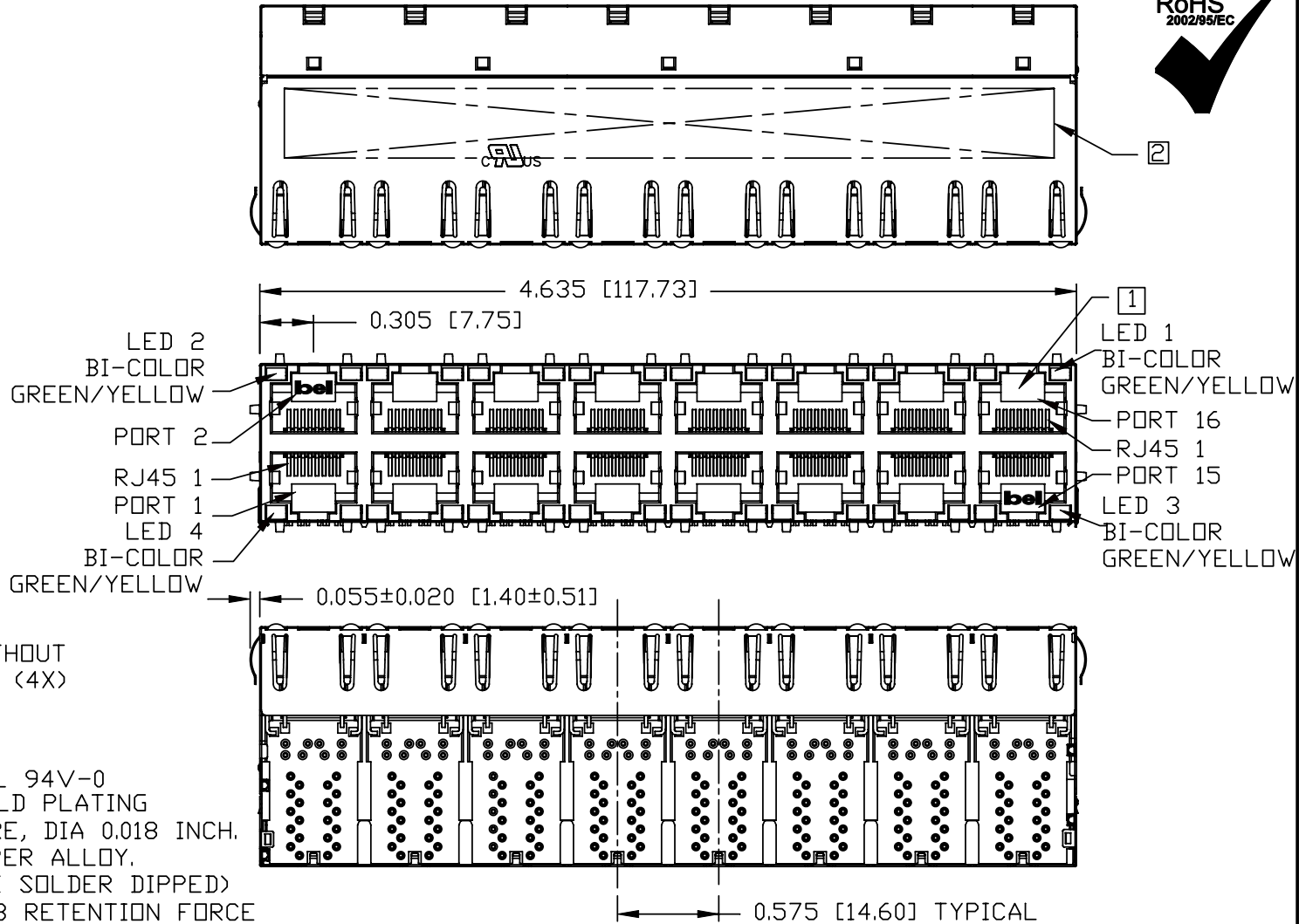
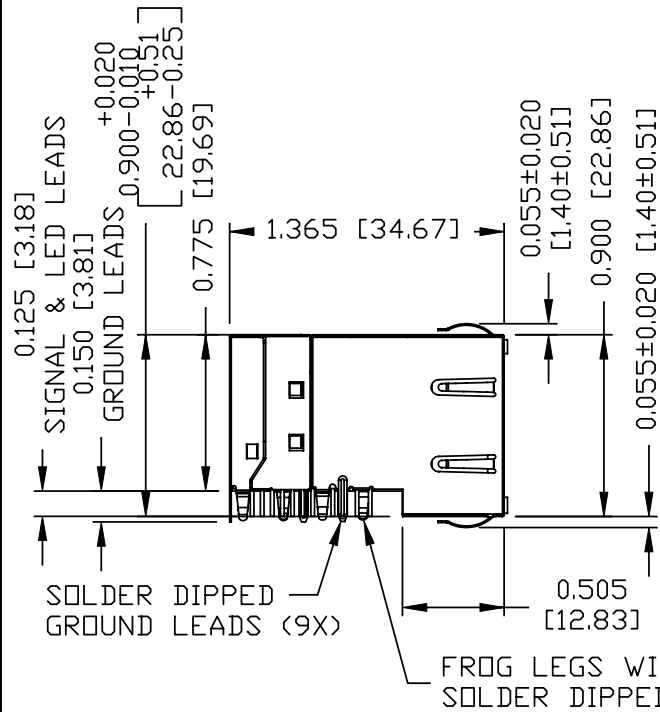
FILE NAME
C850-2S8R-54_A.DWG

FILE NAME
C850-2S8R-54_A.DWG



THE INFORMATION CONTAINED HEREIN IS CONSIDERED "PROPRIETARY" TO BEL FUSE INC. AND SHALL NOT BE COPIED, REPRODUCED OR DISCLOSED WITHOUT THE WRITTEN APPROVAL OF BEL FUSE INC.

RoHS
2002/95/EC



NOTES:

- PLASTIC HOUSING: THERMOPLASTIC PBT
FLAMMABILITY RATING UL 94V-0
- CONTACT PLATING: 30 MICRO-INCH HARD GOLD PLATING
- OUTPUT PINS: TIN-COATED COPPER WIRE, DIA 0.018 INCH.
- METAL SHIELD: NICKEL PLATED ON COPPER ALLOY.
(ALL GROUND LEADS ARE SOLDER DIPPED)
FROG LEGS ARE FOR PCB RETENTION FORCE ONLY AND NOT FOR GROUNDING PURPOSE

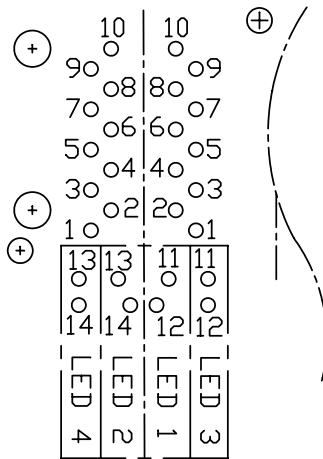
- [1] JACK CAVITY CONFORMS TO FCC RULES AND REGULATIONS, PART 68 SUBPART F.
- [2] MARK PART WITH MFG LOGO, MFG NAME, PART NUMBER DATE CODE AND PATENTED.

c UL RECOGNIZED - FILE #E196366 AND E169987.
3. RoHS COMPLIANCE, PER EU DIRECTIVE 2002/95/EC.
4. THE PRODUCT IS PATENTED, THE PATENT NUMBER IS U.S. PAT. 5,736,910.

ORIGINATED BY LIU QIN	DATE 06-09-09	TITLE 2X8 gigabit MagJack® COMPRESSOR SERIES (8 Cores) PATENTED	PART NO. / DRAWING NO. C850-2S8R-54	STANDARD DIM. TOL. IN INCH	[] METRIC DIM. AS REFERENCE		 COMPONENTS FOR A CONNECTED PLANET
DRAWN BY XIAN JIAXIN	DATE 06-09-09		FILE NAME C850-2S8R-54_A.DWG		UNIT : INCH [mm]	SCALE : N/A	
				.X	SCALE : N/A	SIZE : A4	
				.XX		PAGE : 3	
				.XXX	±0.010		

THE INFORMATION CONTAINED HEREIN IS CONSIDERED "PROPRIETARY" TO BEL FUSE INC. AND SHALL NOT BE COPIED, REPRODUCED OR DISCLOSED WITHOUT THE WRITTEN APPROVAL OF BEL FUSE INC.

RoHS
2002/95/EC

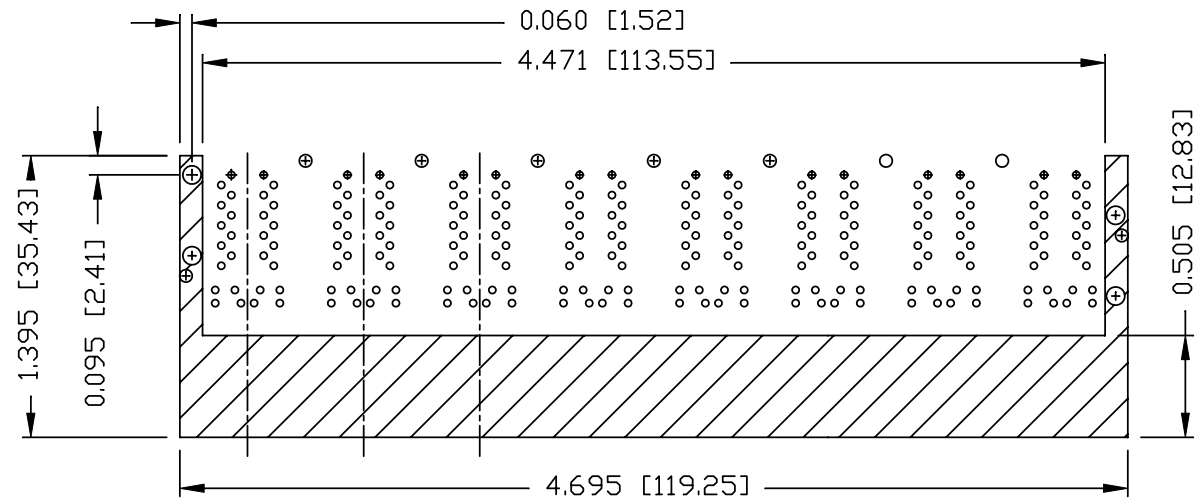
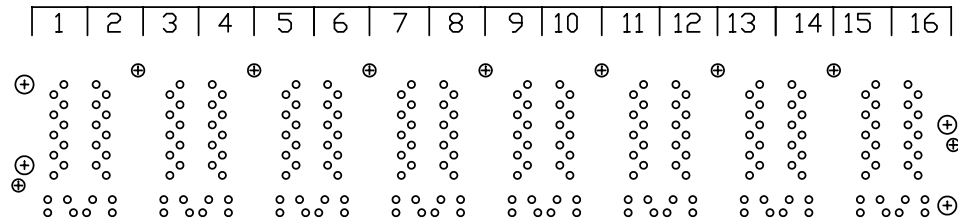


LED FOR LOWER DECK
LED FOR UPPER DECK

PIN-OUT INFORMATION
(COMPONENT SIDE VIEW)

14	GREEN (-)/YELLOW (+)
13	GREEN (+)/YELLOW (-)
12	GREEN (-)/YELLOW (+)
11	GREEN (+)/YELLOW (-)
10	GND
9	TRDCT1/2/3/4
8	TRD 4+
7	TRD 4-
6	TRD 3+
5	TRD 3-
4	TRD 2+
3	TRD 2-
2	TRD 1+
1	TRD 1-

PORT ASSIGNMENT
(COMPONENT SIDE VIEW)



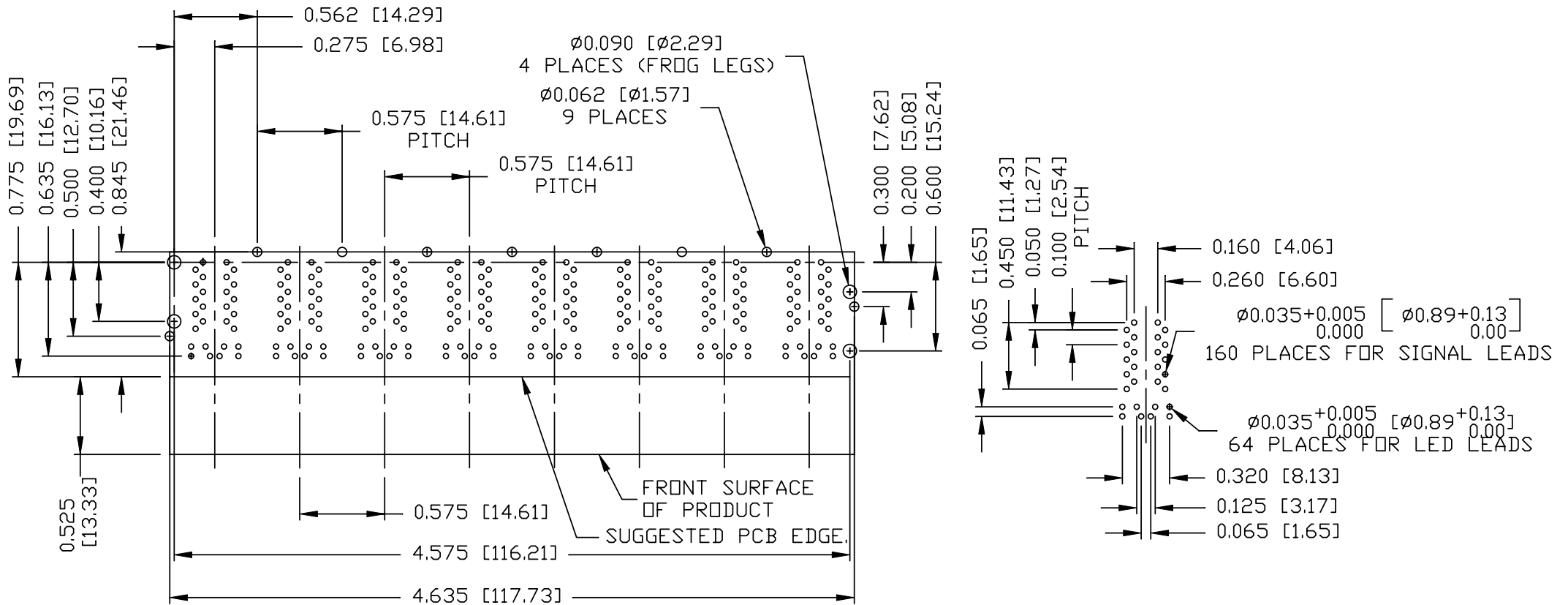
THE SHADED AREA ON THE CUSTOMER BOARD ARE RECOMMENDED TO BE CLEAR OFF ANY VIA HOLE OR COMPONENT PAD.

ORIGINATED BY LIU QIN	DATE 06-09-09	TITLE 2X8 gigabit MagJack® COMPRESSOR SERIES (8 Cores) PATENTED	PART NO. / DRAWING NO. C850-2S8R-54	STANDARD DIM. TOL. IN INCH		[] METRIC DIM. AS REFERENCE	
	DRAWN BY XIAN JIAXIN			DATE 06-09-09	FILE NAME C850-2S8R-54_A.DWG	.X .XX .XXX	±0.004
					SCALE : N/A	SIZE : A4	PAGE : 4



THE INFORMATION CONTAINED HEREIN IS CONSIDERED "PROPRIETARY" TO BEL FUSE INC. AND SHALL NOT BE COPIED, REPRODUCED OR DISCLOSED WITHOUT THE WRITTEN APPROVAL OF BEL FUSE INC.

RoHS
2002/95/EC



SUGGESTED FOOTPRINT

(COMPONENT SIDE VIEW)

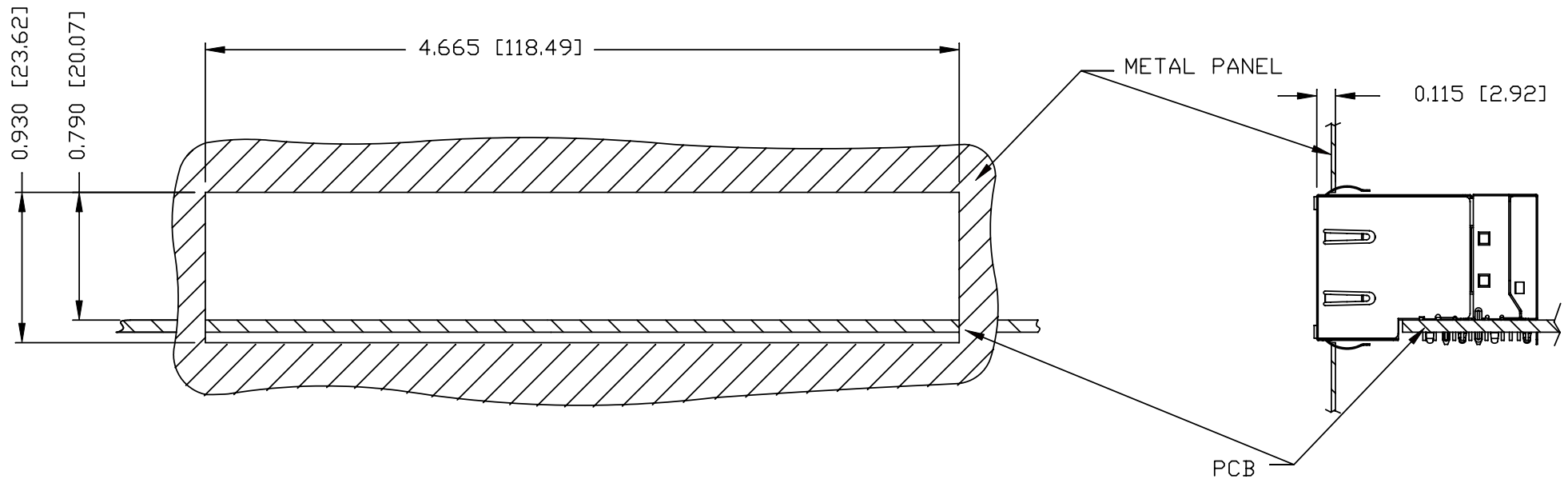
ORIGINATED BY LIU QIN	DATE 06-09-09	TITLE 2X8 gigabit MagJack® COMPRESSOR SERIES (8 Cores) PATENTED	PART NO. / DRAWING NO. C850-2S8R-54	STANDARD DIM. TOL. IN INCH	[] METRIC DIM. AS REFERENCE
DRAWN BY XIAN JIAXIN	DATE 06-09-09		FILE NAME C850-2S8R-54_A.DWG	.X .XX .XXX ±0.004	UNIT : INCH [mm] SCALE : N/A REV. : A SIZE : A4 PAGE : 5



THE INFORMATION CONTAINED HEREIN IS CONSIDERED "PROPRIETARY" TO BEL FUSE INC. AND SHALL NOT BE COPIED, REPRODUCED OR DISCLOSED WITHOUT THE WRITTEN APPROVAL OF BEL FUSE INC.



SUGGESTED PANEL OPENING



NOTE:

THE DISTANCE OF PANEL INSIDE SURFACE RELATIVE TO FRONT SURFACE OF PART IS ONLY A SUGGESTION. IN CASE THIS DISTANCE IS DIFFERENT, THE REQUIRED PANEL OPENING DIMENSIONS CHANGE ACCORDINGLY.

PACKING INFORMATION

PACKING TRAY : 0200-9999-K7 (TOP)

0200-9999-K8 (BOTTOM)

PACKING QUANTITY : 12 PCS FINISHED GOODS PER TRAY.

6 TRAYS (72 PCS FINISHED GOODS) PER CARTON BOX.

NOTE : CARDBOARDS ARE PLACED BETWEEN LAYERS OF PACKING TRAY INSIDE CARTON BOX.
(INCLUDE THE UPPERMOST AND LOWERMOST TRAY)

ORIGINATED BY LIU QIN	DATE 06-09-09	TITLE 2X8 gigabit MagJack® COMPRESSOR SERIES (8 Cores) PATENTED	PART NO. / DRAWING NO. C850-2S8R-54	STANDARD DIM. TOL. IN INCH		[] METRIC DIM. AS REFERENCE		 COMPONENTS FOR A CONNECTED PLANET
				.X		UNIT : INCH [mm]	REV. : A	
				.XX		SCALE : N/A	SIZE : A4	
DRAWN BY XIAN JIAXIN	DATE 06-09-09		FILE NAME C850-2S8R-54_A.DWG	.XXX	±0.004			PAGE : 6