

THE INFORMATION CONTAINED HEREIN IS CONSIDERED "PROPRIETARY" TO BEL FUSE INC. AND SHALL NOT BE COPIED, REPRODUCED OR DISCLOSED WITHOUT THE WRITTEN APPROVAL OF BEL FUSE INC.

PRELIMINARY



LED 2 & 4 POLARITY			LED 1 & 3 POLARITY		
PIN 11	PIN 12	COLOR	PIN 13	PIN 14	COLOR
+	-	GREEN	+	-	GREEN
-	+	YELLOW	-	+	YELLOW

ELECTRICAL CHARACTERISTICS @ 25°C

URNS RATIO

TP1	1CT : 1CT ±2%
TP2	1CT : 1CT ±2%
TP3	1CT : 1CT ±2%
TP4	1CT : 1CT ±2%

□CL @ 100kHz/100mVRMS

8mA DC BIAS 350µH MIN.

INS. LOSS

0.1MHz TO 1MHz	-1.1 dB MAX
1MHz TO 65MHz	-0.5 dB MAX
65MHz TO 100MHz	-0.8 dB MAX
100MHz TO 125MHz	-1.2 dB MAX

RET. LOSS (MIN)

0.5MHz-40MHz	-18 dB
40MHz-100MHz	-12+20LOG(f/80MHz) dB

CM TO CM REJ

100kHz - 100MHz -30 dB MIN

CM TO DM REJ

100kHz - 100MHz -35 dB MIN

HIPOT (Isolation Voltage):

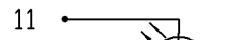
1500 Vrms

100% OF PRODUCTION TESTED TO COMPLY WITH IEEE 802.3 ISOLATION REQUIREMENTS.

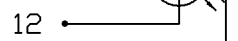
LED 1,LED 2,LED 3 & LED 4

VF (FORWARD VOLTAGE)	IF=20mA	GREEN	2.2V TYP.
		YELLOW	2.1V TYP.
λD (DOMINANT WAVELENGTH)	IF=20mA	GREEN	565nm TYP.
		YELLOW	590nm TYP.

LED 2 & 4

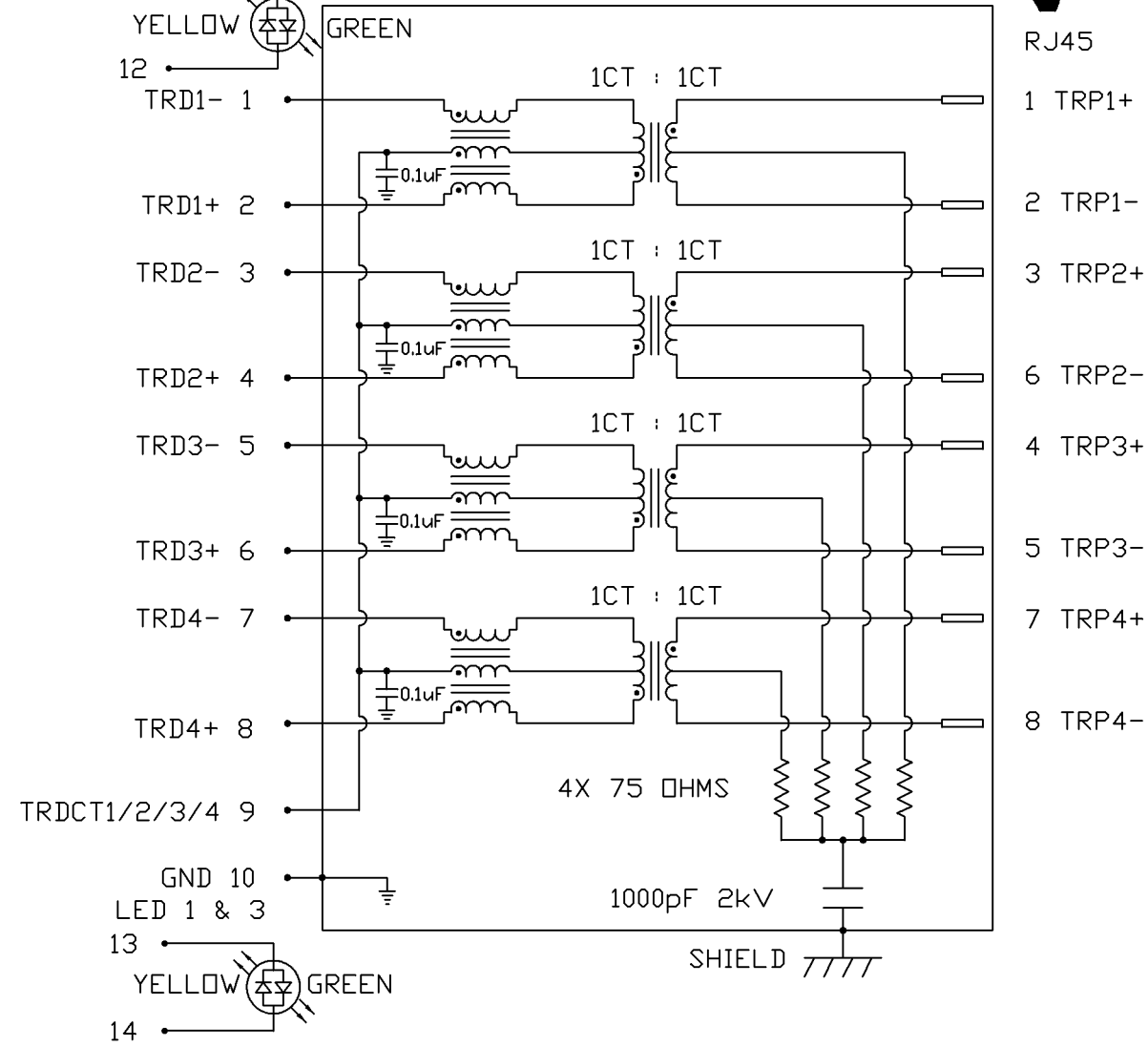


YELLOW GREEN



YELLOW GREEN

SCHEMATIC



ORIGINATED BY	DATE
CHOW WANCHUNG	01-13-09
DRAWN BY	DATE
LI YONGFENG	01-13-09

TITLE	2X4 gigabit MagJack® COMPRESSOR SERIES (8 Cores) (0.150 INCH PIN LENGTH)
-------	--

PART NO. / DRAWING NO.	C850-2S4R-CG
FILE NAME	C850-2S4R-CG_PB.DWG

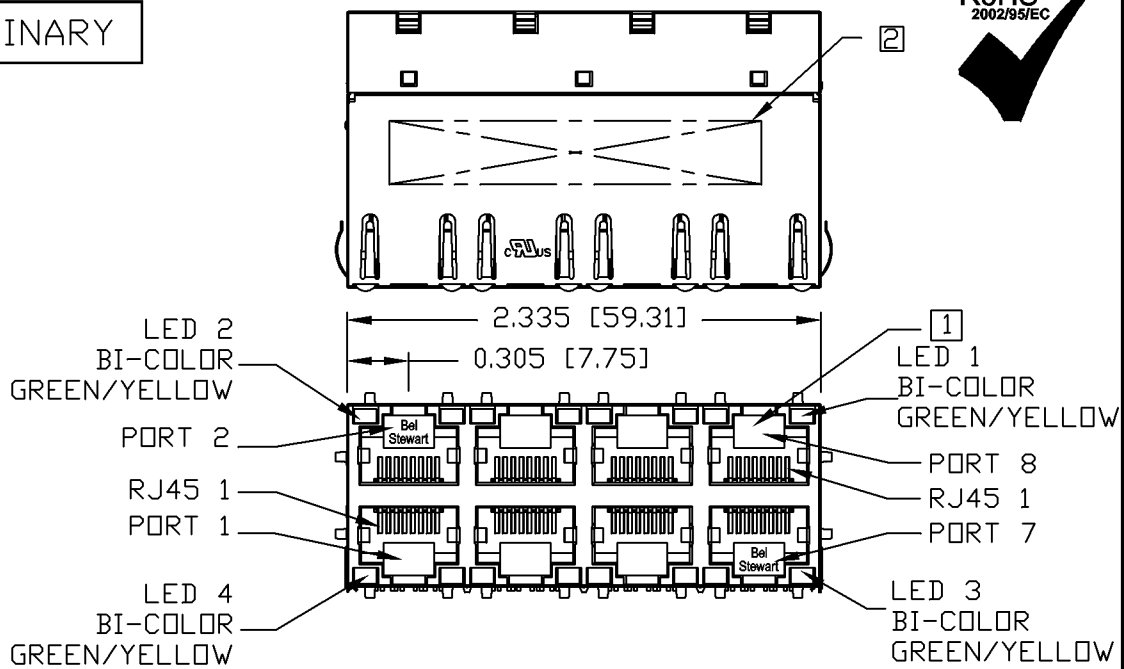
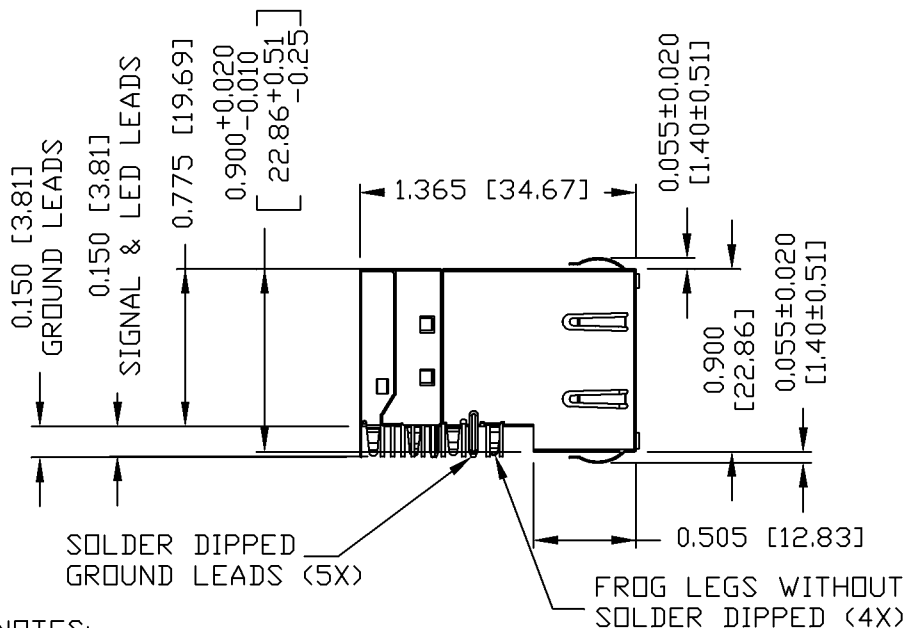
STANDARD DIM. TOL. IN INCH	[] METRIC DIM. AS REFERENCE
.X	UNIT : INCH [mm]
.XX	SCALE : N/A
.XXX	REV. : PB

UNIT : INCH [mm]	REV. : PB
SCALE : N/A	SIZE : A4
⊕	PAGE : 2



THE INFORMATION CONTAINED HEREIN IS CONSIDERED "PROPRIETARY" TO BEL FUSE INC. AND SHALL NOT BE COPIED, REPRODUCED OR DISCLOSED WITHOUT THE WRITTEN APPROVAL OF BEL FUSE INC.

PRELIMINARY



NOTES:
 PLASTIC HOUSING: THERMOPLASTIC PBT
 FLAMMABILITY RATING UL 94V-0
 CONTACT PLATING: 30 MICRO-INCH HARD GOLD PLACHEN TING
 OUTPUT PINS: TIN-COATED COPPER WIRE, DIA 0.018 INCH.
 METAL SHIELD: NICKEL PLATED ON COPPER ALLOY.
 (ALL GROUND LEADS ARE SOLDER DIPPED)
 FROG LEGS ARE FOR PCB RETENTION FORCE ONLY AND NOT FOR GROUNDING PURPOSE

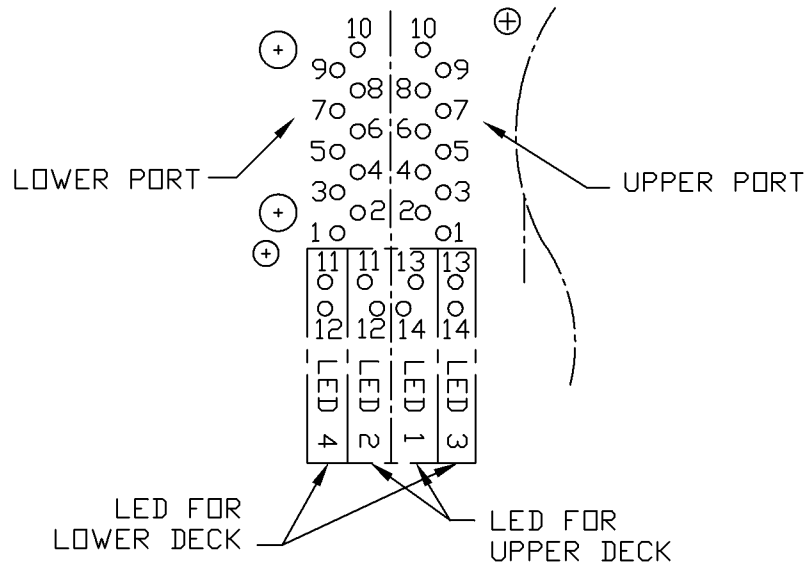
- 1. JACK CAVITY CONFORMS TO FCC RULES AND REGULATIONS, PART 68 SUBPART F.
- 2. MARK PART WITH MFG LOGO, MFG NAME, PART NUMBER, AND DATE CODE.

UL US UL RECOGNIZED - FILE #E196366 AND E169987.
 RoHS COMPLIANCE, PER EU DIRECTIVE 2002/95/EC.

ORIGINATED BY HOWFAR WEI	DATE 01-13-09	TITLE 2X4 gigabit MagJack® COMPRESSOR SERIES (8 Cores) (0.150 INCH PIN LENGTH)	PART NO. / DRAWING NO. C850-2S4R-CG		STANDARD DIM. TOL. IN INCH		[] METRIC DIM. AS REFERENCE		 COMPONENTS FOR A CONNECTED PLANET
			FILE NAME C850-2S4R-CG_PB.DWG		.X .XX .XXX	±0.010	UNIT : INCH [mm] SCALE : N/A	REV. : PB SIZE : A4 PAGE : 3	

THE INFORMATION CONTAINED HEREIN IS CONSIDERED "PROPRIETARY" TO BEL FUSE INC. AND SHALL NOT BE COPIED, REPRODUCED OR DISCLOSED WITHOUT THE WRITTEN APPROVAL OF BEL FUSE INC.

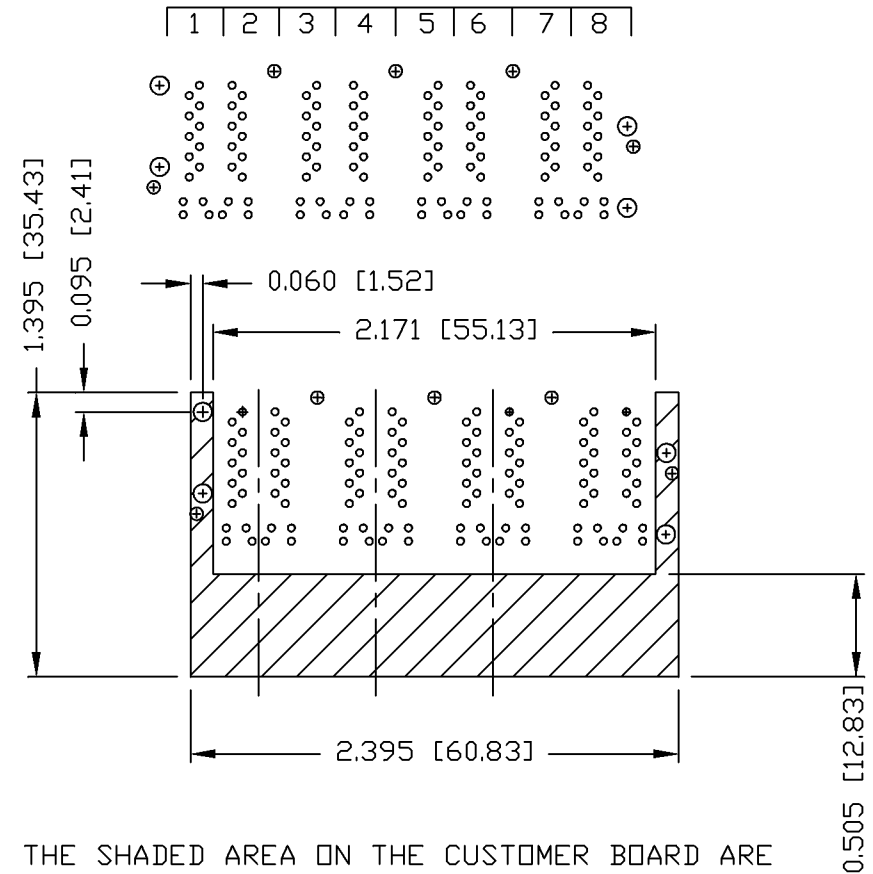
PRELIMINARY



PIN-OUT INFORMATION
(COMPONENT SIDE VIEW)

14	GREEN (-)/YELLOW (+)
13	GREEN (+)/YELLOW (-)
12	GREEN (-)/YELLOW (+)
11	GREEN (+)/YELLOW (-)
10	GND
9	TRDCT1/2/3/4
8	TRD 4+
7	TRD 4-
6	TRD 3+
5	TRD 3-
4	TRD 2+
3	TRD 2-
2	TRD 1+
1	TRD 1-

PORT ASSIGNMENT
(COMPONENT SIDE VIEW)



THE SHADED AREA ON THE CUSTOMER BOARD ARE RECOMMENDED TO BE CLEAR OFF ANY VIA HOLE OR COMPONENT PAD.

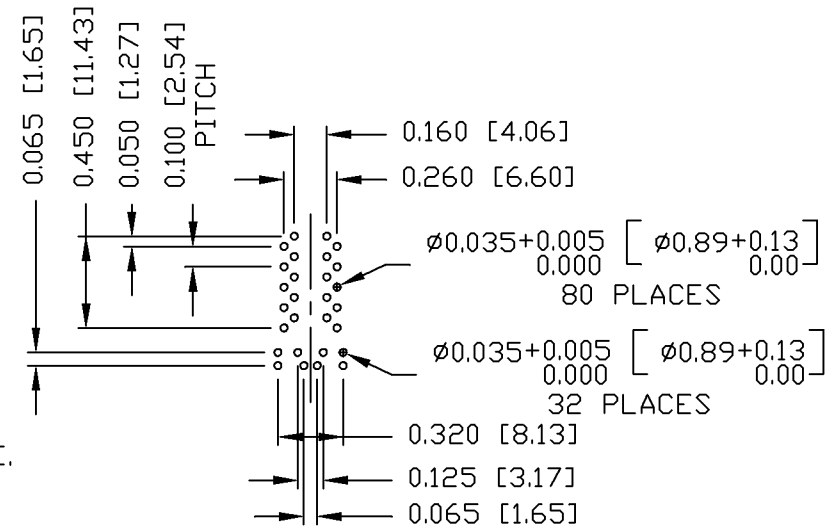
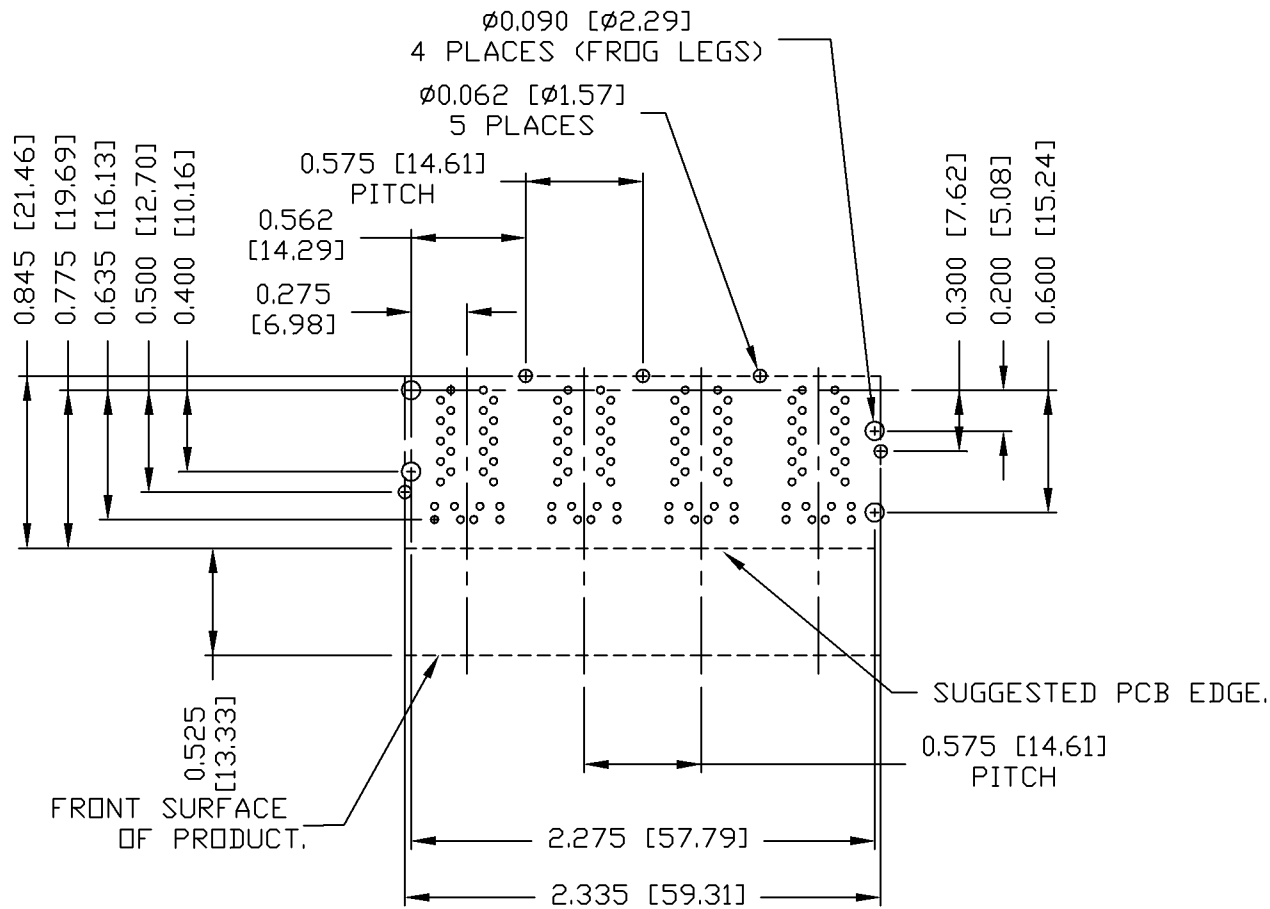
ORIGINATED BY HOWFAR WEI	DATE 01-13-09	TITLE 2X4 gigabit MagJack® COMPRESSOR SERIES (8 Cores) (0.150 INCH PIN LENGTH)	PART NO. / DRAWING NO. C850-2S4R-CG		STANDARD DIM. TOL. IN INCH		[] METRIC DIM. AS REFERENCE		 COMPONENTS OR A CONNECTED PLANET
			FILE NAME C850-2S4R-CG_PB.DWG		.X		UNIT : INCH [mm]	REV. : PB	
					.XX		SCALE : N/A	SIZE : A4	
DRAWN BY JOLLY LUO	DATE 01-13-09				.XXX	±0.004	 PAGE : 4		

THE INFORMATION CONTAINED HEREIN IS CONSIDERED "PROPRIETARY" TO BEL FUSE INC. AND SHALL NOT BE COPIED, REPRODUCED OR DISCLOSED WITHOUT THE WRITTEN APPROVAL OF BEL FUSE INC.

RoHS
2002/95/EC



PRELIMINARY



SUGGESTED FOOTPRINT

(COMPONENT SIDE VIEW)

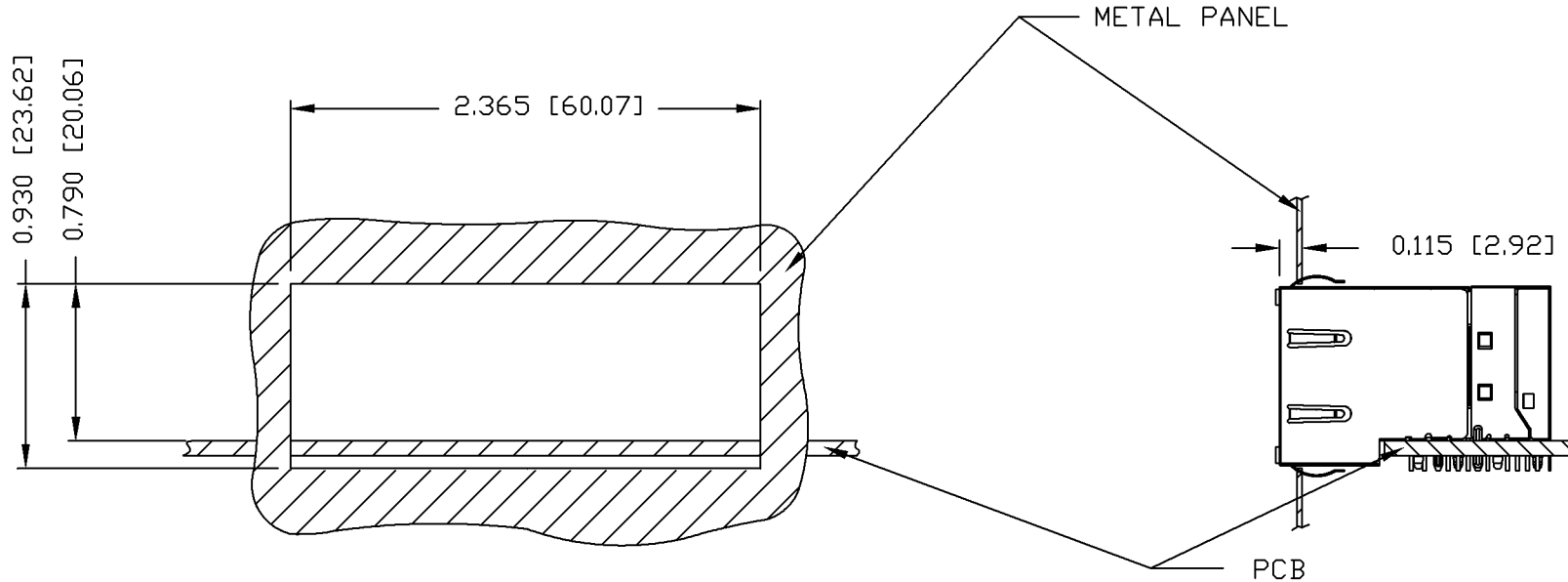
ORIGINATED BY HOWFAR WEI	DATE 01-13-09	TITLE 2X4 gigabit MagJack® COMPRESSOR SERIES (8 Cores) (0.150 INCH PIN LENGTH)	PART NO. / DRAWING NO. C850-2S4R-CG	STANDARD DIM. TOL. IN INCH .X .XX .XXX ±0.004	[] METRIC DIM. AS REFERENCE		 COMPONENTS FOR A CONNECTED PLANET
					UNIT : INCH [mm]	REV. : PB	
DRAWN BY JOLLY LUO	DATE 01-13-09		FILE NAME C850-2S4R-CG_PB.DWG		SCALE : N/A	SIZE : A4	PAGE : 5

THE INFORMATION CONTAINED HEREIN IS CONSIDERED "PROPRIETARY" TO BEL FUSE INC. AND SHALL NOT BE COPIED, REPRODUCED OR DISCLOSED WITHOUT THE WRITTEN APPROVAL OF BEL FUSE INC.

PRELIMINARY



SUGGESTED PANEL OPENING



NOTE:

THE DISTANCE OF PANEL INSIDE SURFACE RELATIVE TO FRONT SURFACE OF PART IS ONLY A SUGGESTION. IN CASE THIS DISTANCE IS DIFFERENT, THE REQUIRED PANEL OPENING DIMENSIONS CHANGE ACCORDINGLY.

PACKING INFORMATION

PACKING TRAY : 0200-9999-L1 (TOP)

0200-9999-L2 (BOTTOM)

PACKING QUANTITY : 20 PCS FINISHED GOODS PER TRAY.

6 TRAYS (120 PCS FINISHED GOODS) PER CARTON BOX.

NOTE : CARDBOARDS ARE PLACED BETWEEN LAYERS OF PACKING TRAY INSIDE CARTON BOX.

(INCLUDE THE UPPERMOST AND LOWERMOST TRAY)

ORIGINATED BY HOWFAR WEI	DATE 01-13-09	TITLE 2X4 gigabit MagJack® COMPRESSOR SERIES (8 Cores) (0.150 INCH PIN LENGTH)	PART NO. / DRAWING NO. C850-2S4R-CG	STANDARD DIM. TOL. IN INCH		[] METRIC DIM. AS REFERENCE	
	DRAWN BY JOLLY LUO			DATE 01-13-09	FILE NAME C850-2S4R-CG_PB.DWG	.X .XX .XXX	±0.004
						SCALE : N/A	SIZE : A4
						PAGE : 6	

