

THE INFORMATION CONTAINED HEREIN IS CONSIDERED "PROPRIETARY" TO BEL FUSE INC. AND SHALL NOT BE COPIED, REPRODUCED OR DISCLOSED WITHOUT THE WRITTEN APPROVAL OF BEL FUSE INC.

PRELIMINARY



LED 2 & 4 POLARITY			LED 1 & 3 POLARITY		
PIN 11	PIN 12	COLOR	PIN 13	PIN 14	COLOR
+	-	GREEN	+	-	GREEN
-	+	YELLOW	-	+	YELLOW

ELECTRICAL CHARACTERISTICS @ 25°C

URNS RATIO

TP1	1CT : 1CT ±2%
TP2	1CT : 1CT ±2%
TP3	1CT : 1CT ±2%
TP4	1CT : 1CT ±2%

□CL @ 100kHz/100mVRMS

8mA DC BIAS 350µH MIN.

INS. LOSS

0.1MHz TO 1MHz	-1.1 dB MAX
1MHz TO 65MHz	-0.5 dB MAX
65MHz TO 100MHz	-0.8 dB MAX
100MHz TO 125MHz	-1.2 dB MAX

RET. LOSS (MIN)

0.5MHz-40MHz	-18 dB
40MHz-100MHz	-12+20LOG(f/80MHz) dB

CM TO CM REJ

100kHz - 100MHz -30 dB MIN

CM TO DM REJ

100kHz - 100MHz -35 dB MIN

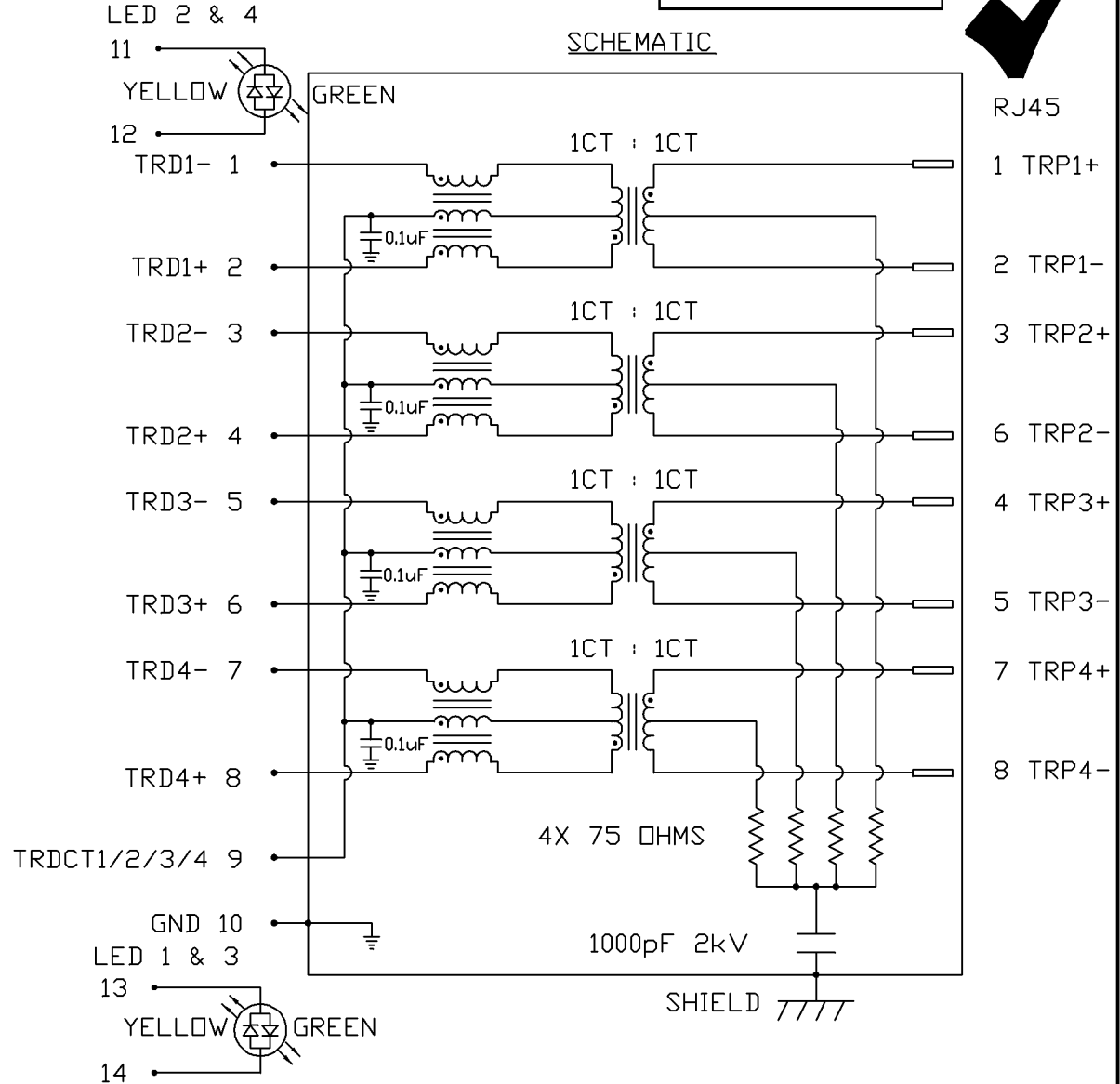
HIPOT (Isolation Voltage):

1500 Vrms

100% OF PRODUCTION TESTED TO COMPLY WITH IEEE 802.3 ISOLATION REQUIREMENTS.

LED 1,LED 2,LED 3 & LED 4

VF (FORWARD VOLTAGE)	IF=20mA	GREEN	2.2V TYP.
		YELLOW	2.1V TYP.
λD (DOMINANT WAVELENGTH)	IF=20mA	GREEN	565nm TYP.
		YELLOW	590nm TYP.



ORIGINATED BY	DATE	TITLE
CHOW WANCHUNG	01-12-09	2X3 gigabit MagJack® COMPRESSOR SERIES (8 Cores) (0.150 INCH PIN LENGTH)
DRAWN BY	DATE	
LI YONGFENG	01-12-09	

PART NO. / DRAWING NO.	STANDARD DIM. TOL. IN INCH	[] METRIC DIM. AS REFERENCE
C850-2S3R-CG	.X .XX .XXX	UNIT : INCH [mm] SCALE : N/A REV. : PB SIZE : A4 PAGE : 2
FILE NAME	C850-2S3R-CG_PB.DWG	

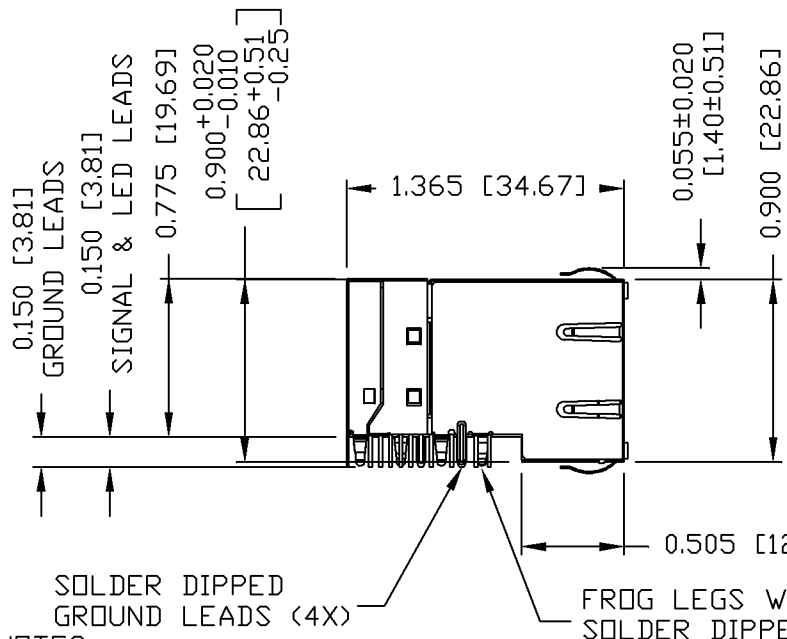
ORIGINATED BY	DATE	TITLE	PART NO. / DRAWING NO.	STANDARD DIM. TOL. IN INCH	[] METRIC DIM. AS REFERENCE
CHOW WANCHUNG	01-12-09	2X3 gigabit MagJack® COMPRESSOR SERIES (8 Cores) (0.150 INCH PIN LENGTH)	C850-2S3R-CG	.X .XX .XXX	UNIT : INCH [mm] SCALE : N/A REV. : PB SIZE : A4 PAGE : 2
DRAWN BY	DATE		FILE NAME	C850-2S3R-CG_PB.DWG	
LI YONGFENG	01-12-09				



THE INFORMATION CONTAINED HEREIN IS CONSIDERED "PROPRIETARY" TO BEL FUSE INC. AND SHALL NOT BE COPIED, REPRODUCED OR DISCLOSED WITHOUT THE WRITTEN APPROVAL OF BEL FUSE INC.

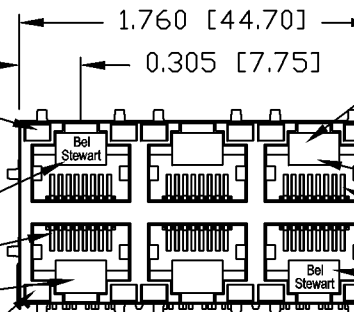
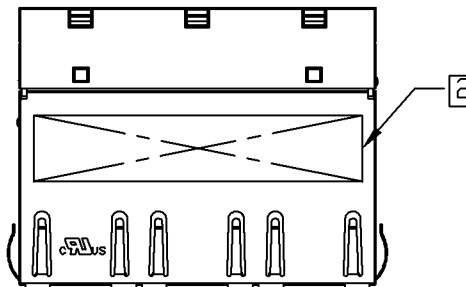
PRELIMINARY

RoHS
2002/95/EC



LED 2
BI-COLOUR
GREEN/YELLOW

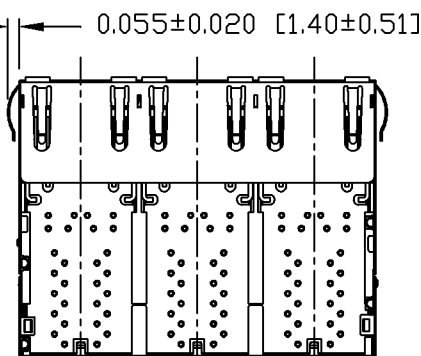
PORT 2
RJ45 1
PORT 1
LED 4
BI-COLOUR
GREEN/YELLOW



LED 1
BI-COLOUR
GREEN/YELLOW

PORT 6
RJ45 1

LED 3
BI-COLOUR
GREEN/YELLOW



NOTES:

- PLASTIC HOUSING: THERMOPLASTIC PBT
FLAMMABILITY RATING UL 94V-0
- CONTACT PLATING: 30 MICRO-INCH HARD GOLD PLATING
- OUTPUT PINS: TIN-COATED COPPER WIRE, DIA 0.018 INCH.
- METAL SHIELD: NICKEL PLATED ON COPPER ALLOY.
(ALL GROUND LEADS ARE SOLDER DIPPED)
FROG LEGS ARE FOR PCB RETENTION
FORCE ONLY AND NOT FOR GROUNDING PURPOSE

- 1. JACK CAVITY CONFORMS TO FCC RULES AND REGULATIONS, PART 68 SUBPART F.
- 2. MARK PART WITH MFG LOGO, MFG NAME, PART NUMBER, AND DATE CODE.

UL RECOGNIZED - FILE #E196366 AND E169987.
RoHS COMPLIANCE, PER EU DIRECTIVE 2002/95/EC.

ORIGINATED BY	DATE	TITLE	PART NO. / DRAWING NO.	STANDARD DIM. TOL. IN INCH	[] METRIC DIM. AS REFERENCE
HOWFAR WEI	01-12-09	2X3 gigabit MagJack® COMPRESSOR SERIES	C850-2S3R-CG	.X	UNIT : INCH [mm] REV. : PB
DRAWN BY	DATE	(8 Cores)	FILE NAME	.XX	SCALE : N/A SIZE : A4
JOLLY LUO	01-12-09	(0.150 INCH PIN LENGTH)	C850-2S3R-CG_PB.DWG	.XXX ±0.010	PAGE : 3



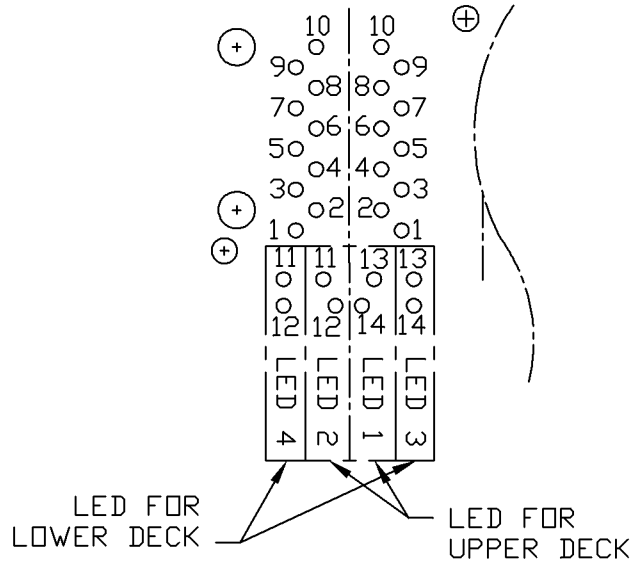
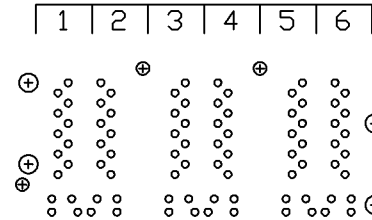
THE INFORMATION CONTAINED HEREIN IS CONSIDERED "PROPRIETARY" TO BEL FUSE INC. AND SHALL NOT BE COPIED, REPRODUCED OR DISCLOSED WITHOUT THE WRITTEN APPROVAL OF BEL FUSE INC.

RoHS
2002/95/EC

PRELIMINARY

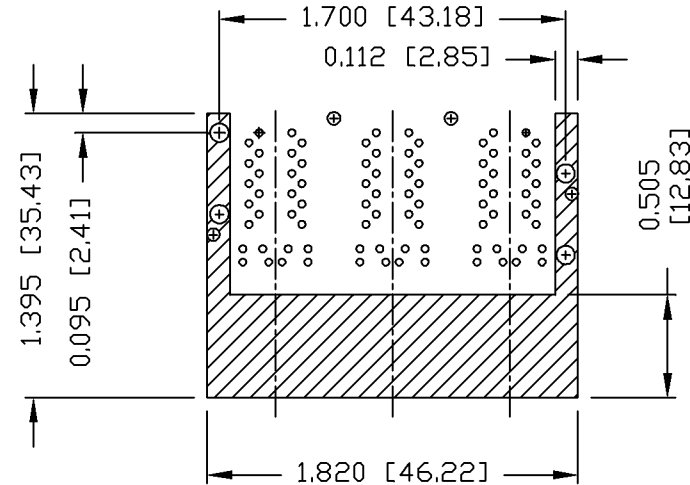


PORT ASSIGNMENT
(COMPONENT SIDE VIEW)



PIN-OUT INFORMATION
(COMPONENT SIDE VIEW)

14	GREEN (-)/YELLOW (+)
13	GREEN (+)/YELLOW (-)
12	GREEN (-)/YELLOW (+)
11	GREEN (+)/YELLOW (-)
10	GND
9	TRDCT1/2/3/4
8	TRD 4+
7	TRD 4-
6	TRD 3+
5	TRD 3-
4	TRD 2+
3	TRD 2-
2	TRD 1+
1	TRD 1-



THE SHADED AREA ON THE CUSTOMER BOARD ARE RECOMMENDED TO BE CLEAR OFF ANY VIA HOLE OR COMPONENT PAD.

ORIGINATED BY HOWFAR WEI	DATE 01-12-09	TITLE 2X3 gigabit MagJack® COMPRESSOR SERIES (8 Cores) (0.150 INCH PIN LENGTH)	PART NO. / DRAWING NO. C850-2S3R-CG	STANDARD DIM. TOL. IN INCH		[] METRIC DIM. AS REFERENCE	
				.X		UNIT : INCH [mm]	REV. : PB
DRAWN BY JOLLY LUO	DATE 01-12-09		FILE NAME C850-2S3R-CG_PB.DWG	.XX		SCALE : N/A	SIZE : A4
				.XXX	±0.004	PAGE : 4	

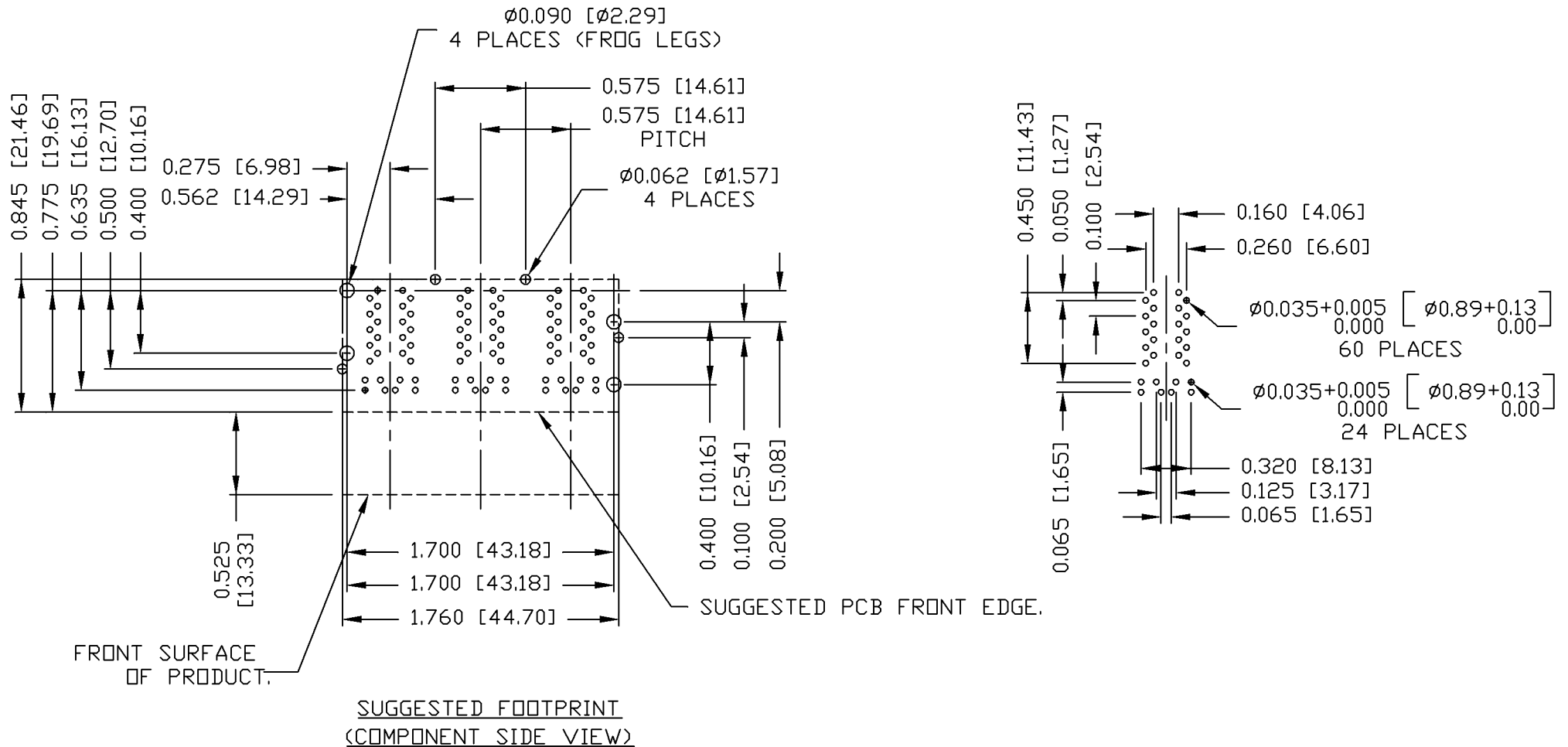


THE INFORMATION CONTAINED HEREIN IS CONSIDERED "PROPRIETARY" TO BEL FUSE INC. AND SHALL NOT BE COPIED, REPRODUCED OR DISCLOSED WITHOUT THE WRITTEN APPROVAL OF BEL FUSE INC.

RoHS
2002/95/EC



PRELIMINARY



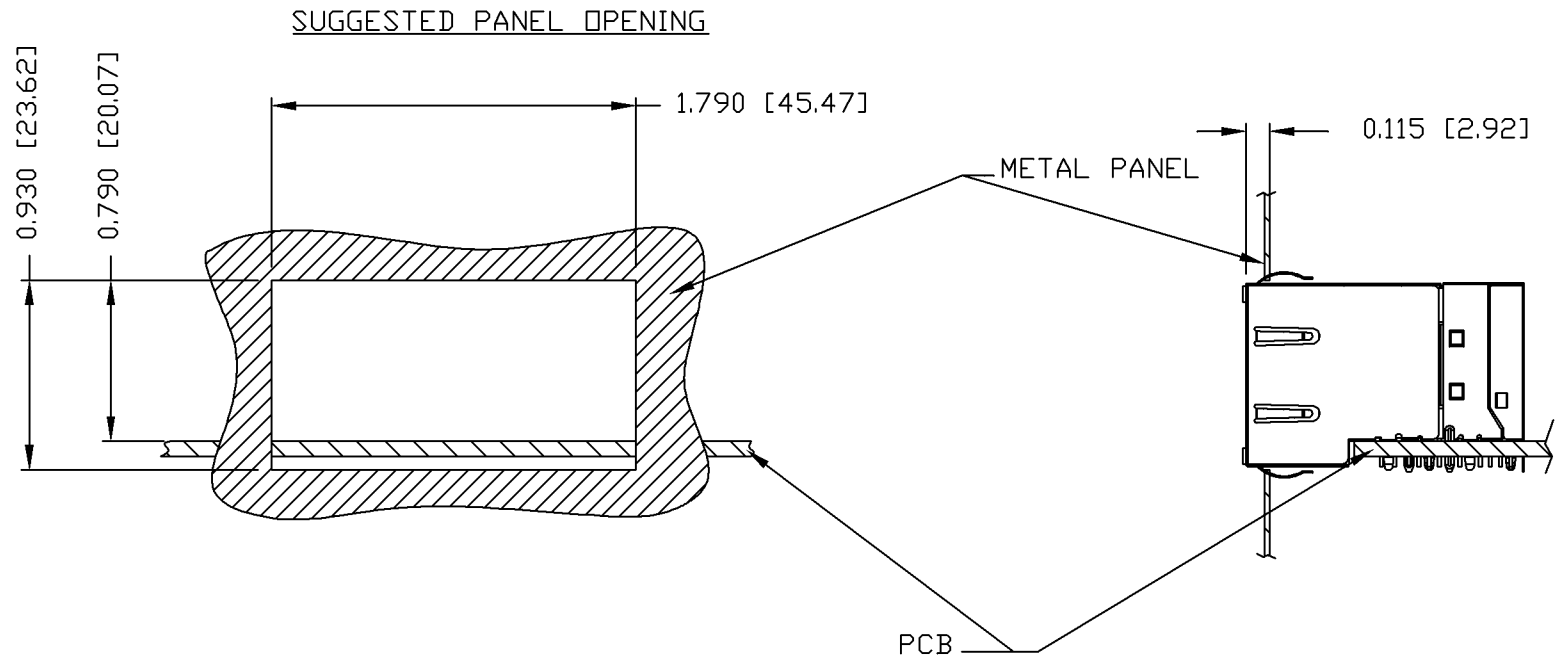
ORIGINATED BY HOWFAR WEI	DATE 01-12-09	TITLE 2X3 gigabit MagJack® COMPRESSOR SERIES (8 Cores) (0.150 INCH PIN LENGTH)	PART NO. / DRAWING NO. C850-2S3R-CG		STANDARD DIM. TOL. IN INCH		[] METRIC DIM. AS REFERENCE		 COMPONENTS FOR A CONNECTED PLANET
			FILE NAME C850-2S3R-CG_PB.DWG		.X		UNIT : INCH [mm]	REV. : PB	
DRAWN BY JOLLY LUO	DATE 01-12-09				.XX		SCALE : N/A	SIZE : A4	PAGE : 5
					.XXX	±0.004			

THE INFORMATION CONTAINED HEREIN IS CONSIDERED "PROPRIETARY" TO BEL FUSE INC. AND SHALL NOT BE COPIED, REPRODUCED OR DISCLOSED WITHOUT THE WRITTEN APPROVAL OF BEL FUSE INC.

RoHS
2002/95/EC



PRELIMINARY



NOTE:

THE DISTANCE OF PANEL INSIDE SURFACE RELATIVE TO FRONT SURFACE OF PART IS ONLY A SUGGESTION. IN CASE THIS DISTANCE IS DIFFERENT, THE REQUIRED PANEL OPENING DIMENSIONS CHANGE ACCORDINGLY.

PACKING INFORMATION

PACKING TRAY : 0200-9999-G8 (TOP)

0200-9999-G9 (BOTTOM)

PACKING QUANTITY : 30 PCS FINISHED GOODS PER TRAY.

6 TRAYS (180 PCS FINISHED GOODS) PER CARTON BOX.

NOTE : CARDBOARDS ARE PLACED BETWEEN LAYERS OF PACKING TRAY INSIDE CARTON BOX.
(INCLUDE THE UPPERMOST AND LOWERMOST TRAY)

ORIGINATED BY HOWFAR WEI	DATE 01-12-09	TITLE 2X3 gigabit MagJack® COMPRESSOR SERIES (8 Cores) (0.150 INCH PIN LENGTH)	PART NO. / DRAWING NO. C850-2S3R-CG		STANDARD DIM. TOL. IN INCH		[] METRIC DIM. AS REFERENCE		 COMPONENTS FOR A CONNECTED PLANET
			FILE NAME C850-2S3R-CG_PB.DWG		.X		UNIT : INCH [mm]	REV. : PB	
DRAWN BY JOLLY LUD	DATE 01-12-09				.XX		SCALE : N/A	SIZE : A4	PAGE : 6
					.XXX	±0.004			