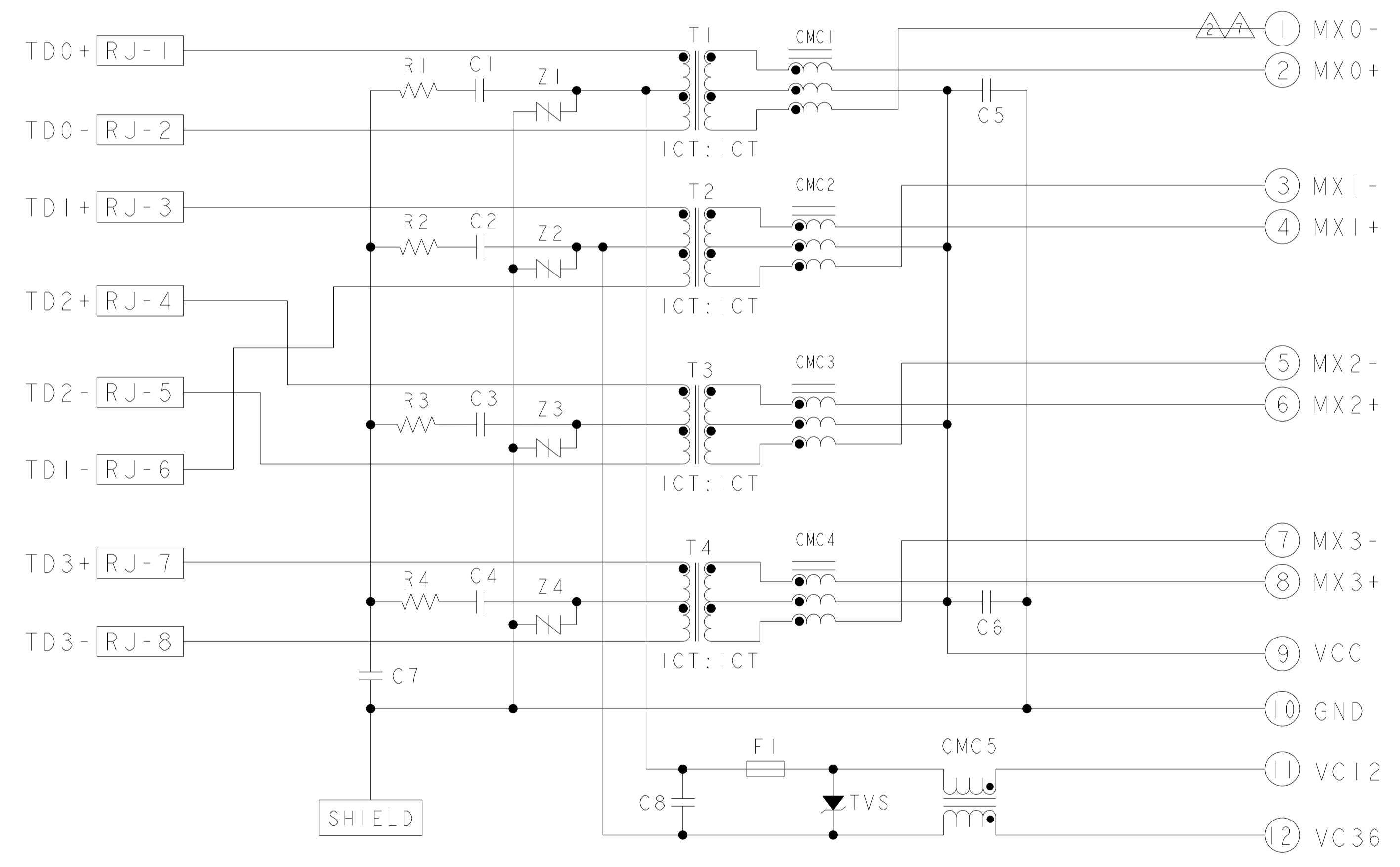


S9HG136ET GIGABIT POE PLUS CIRCUIT  
TOP AND BOTTOM PORTS

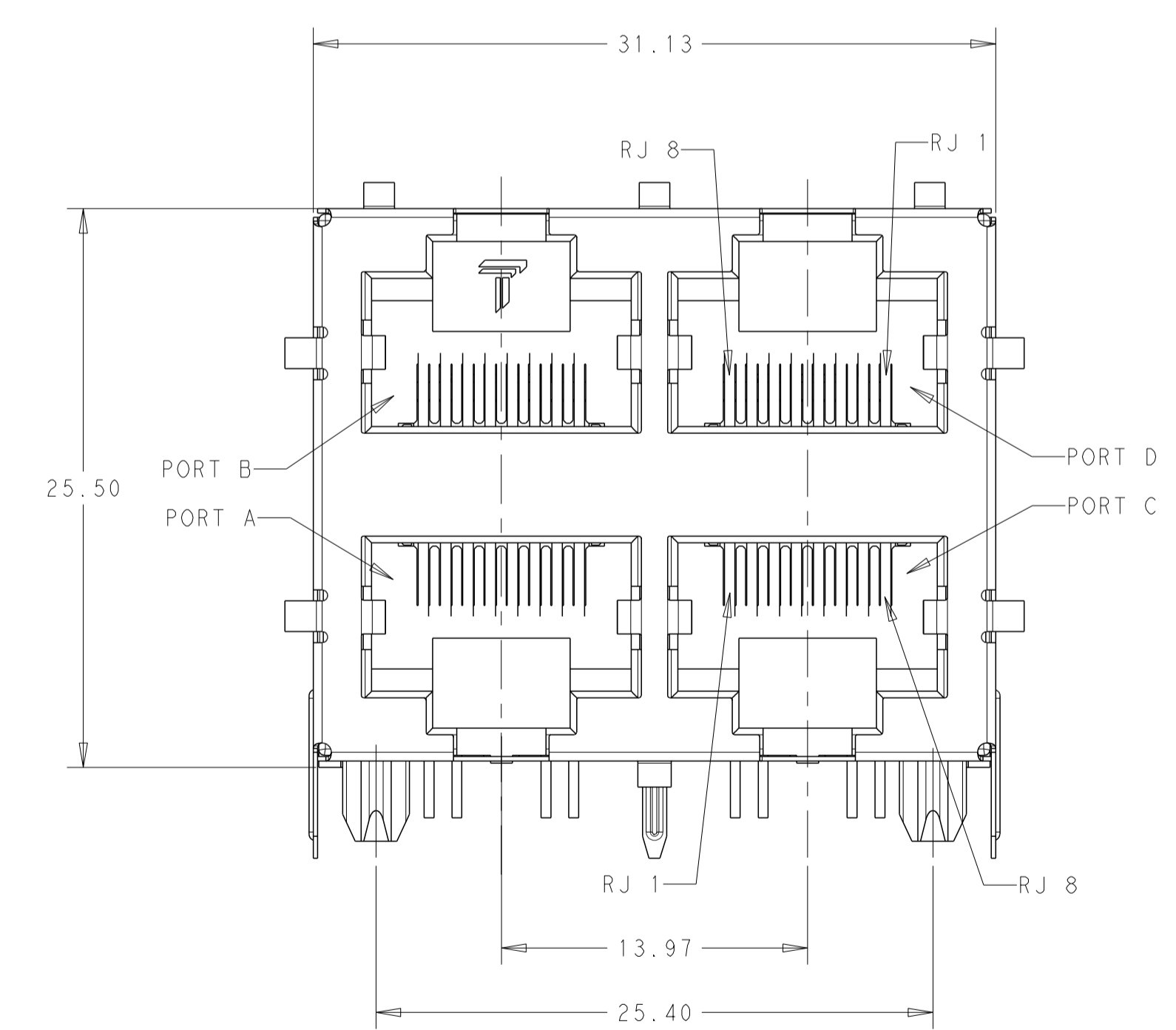
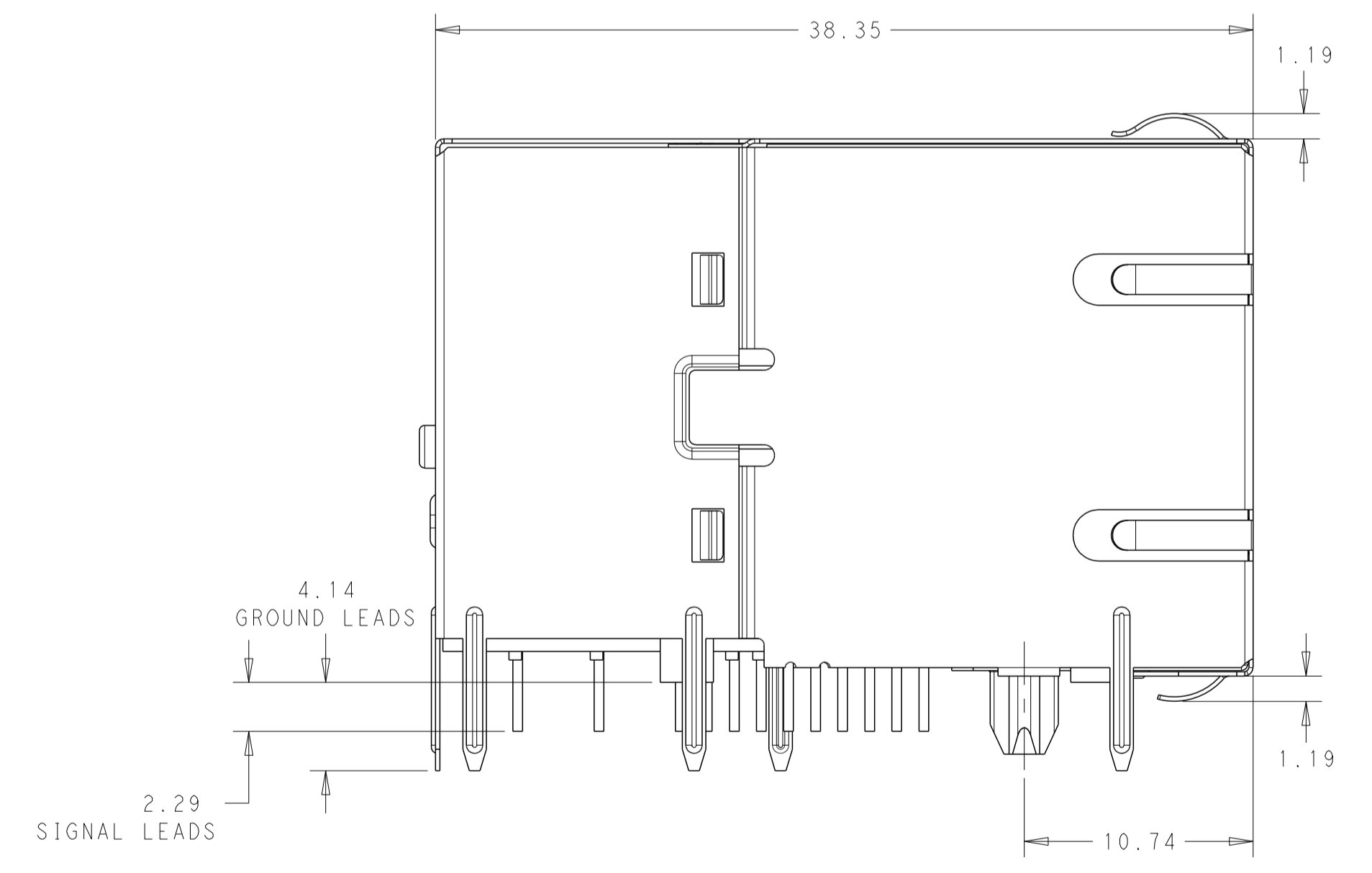
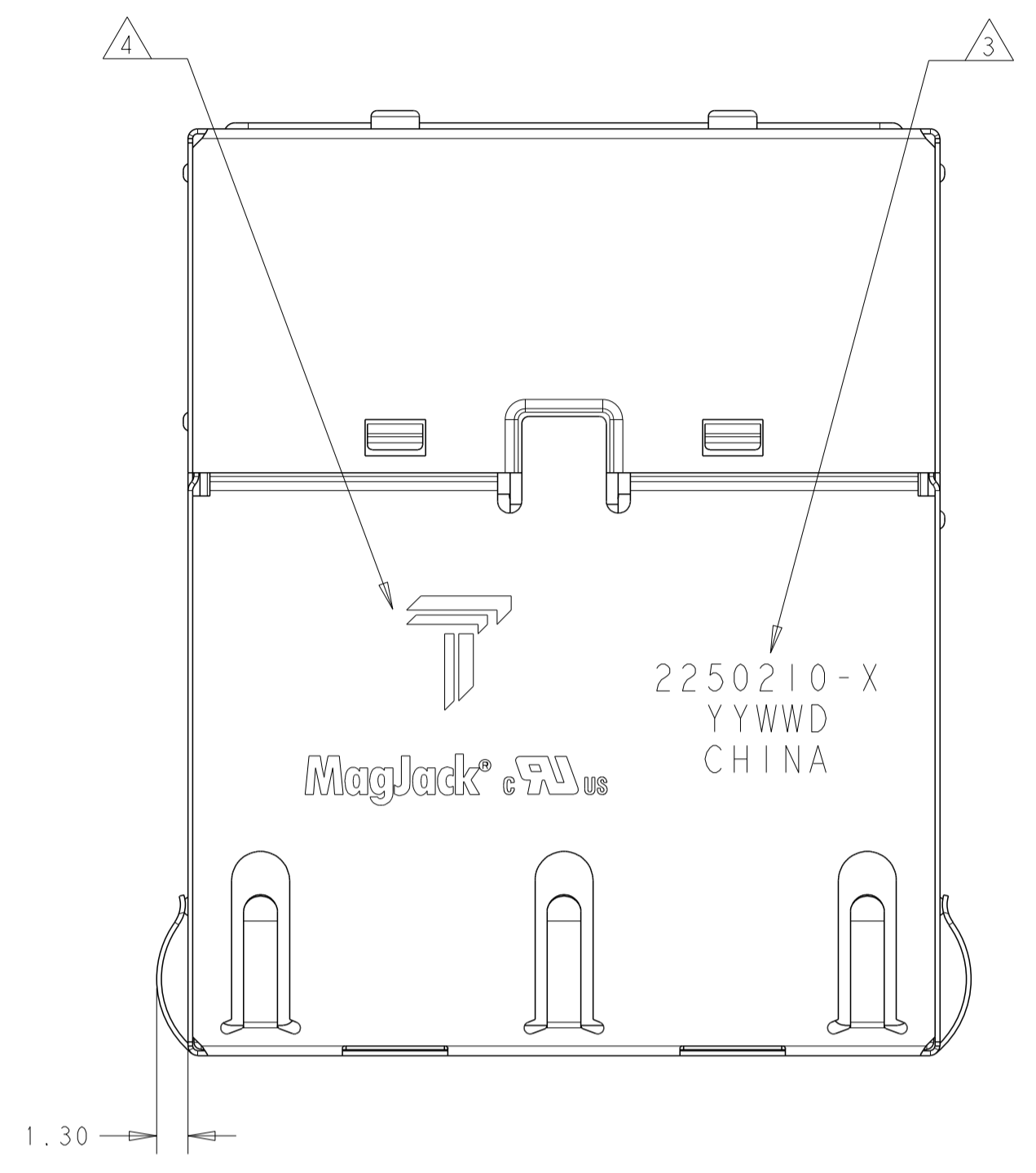



- R1 - R4 = 75 Ohms, 1/16 W, RESISTORS
- C1 - C4 = 22nF, 100V, CAPACITORS
- C5 - C6 = 10nF, 50V, CAPACITORS
- C7 = 1000pF, 2kV, DECOUPLING CAPACITOR
- C8 = 100nF, 100V, CAPACITOR
- F1 = 75V, 1.6A, FUSE.  
(LITTELFUSE PART NUMBER: 045801.6DR)
- TVS = 68V, 1mA  
(ONSEMI PART NUMBER: P6SMB68AT3G  
OR ST MICROELECTRONICS PART NUMBER: SM6T68A  
OR LITTELFUSE PART NUMBER: P6SMB68A)
- Z1 - Z2 = 75Vdrn, 98V Vs, SIDACTORS  
(LITTELFUSE PART NUMBER: P0900SCLRP)
- Z3 - Z4 = 58Vdrn, 77V Vs, SIDACTORS  
(LITTELFUSE PART NUMBER: P0640SCLRP)

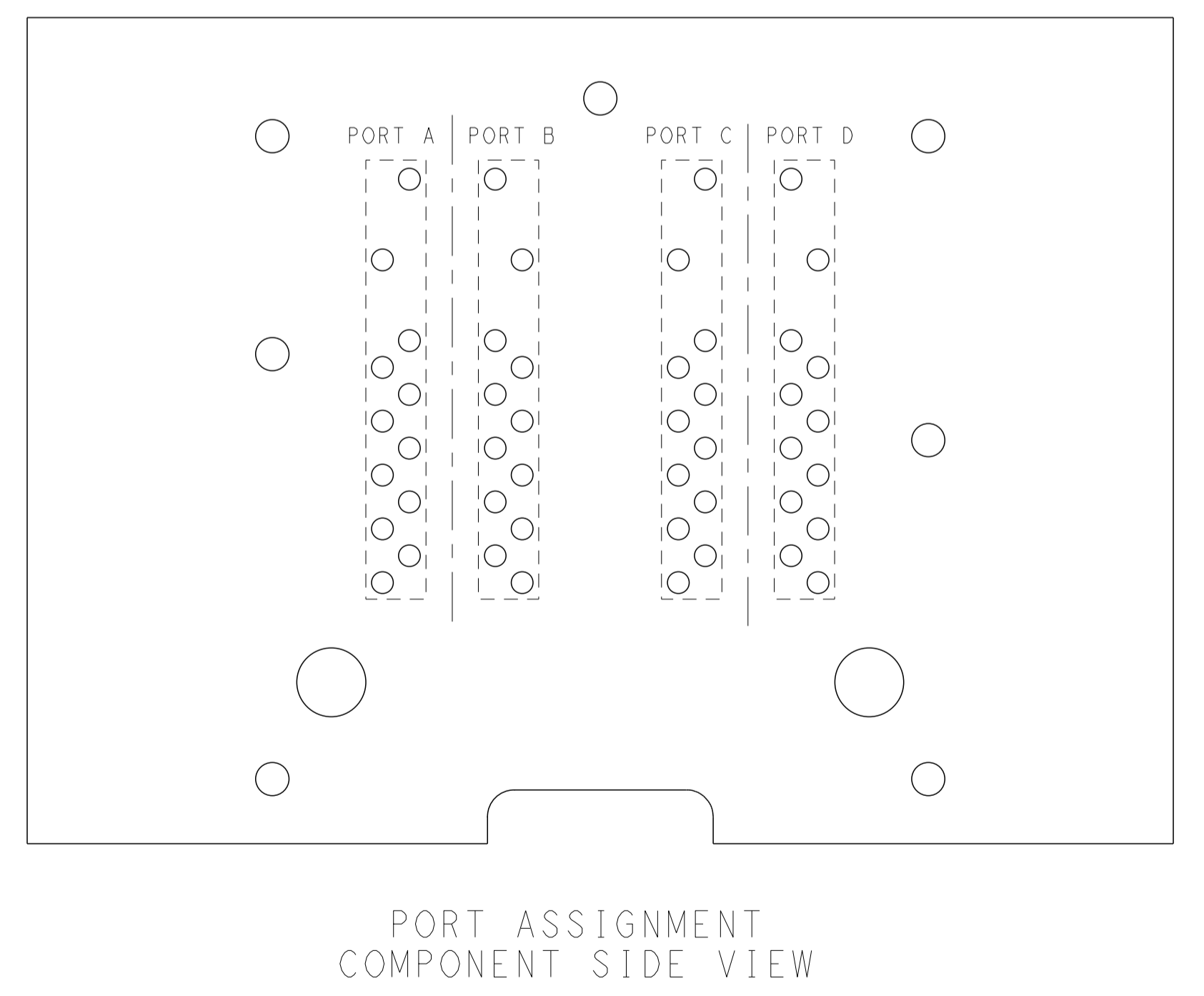
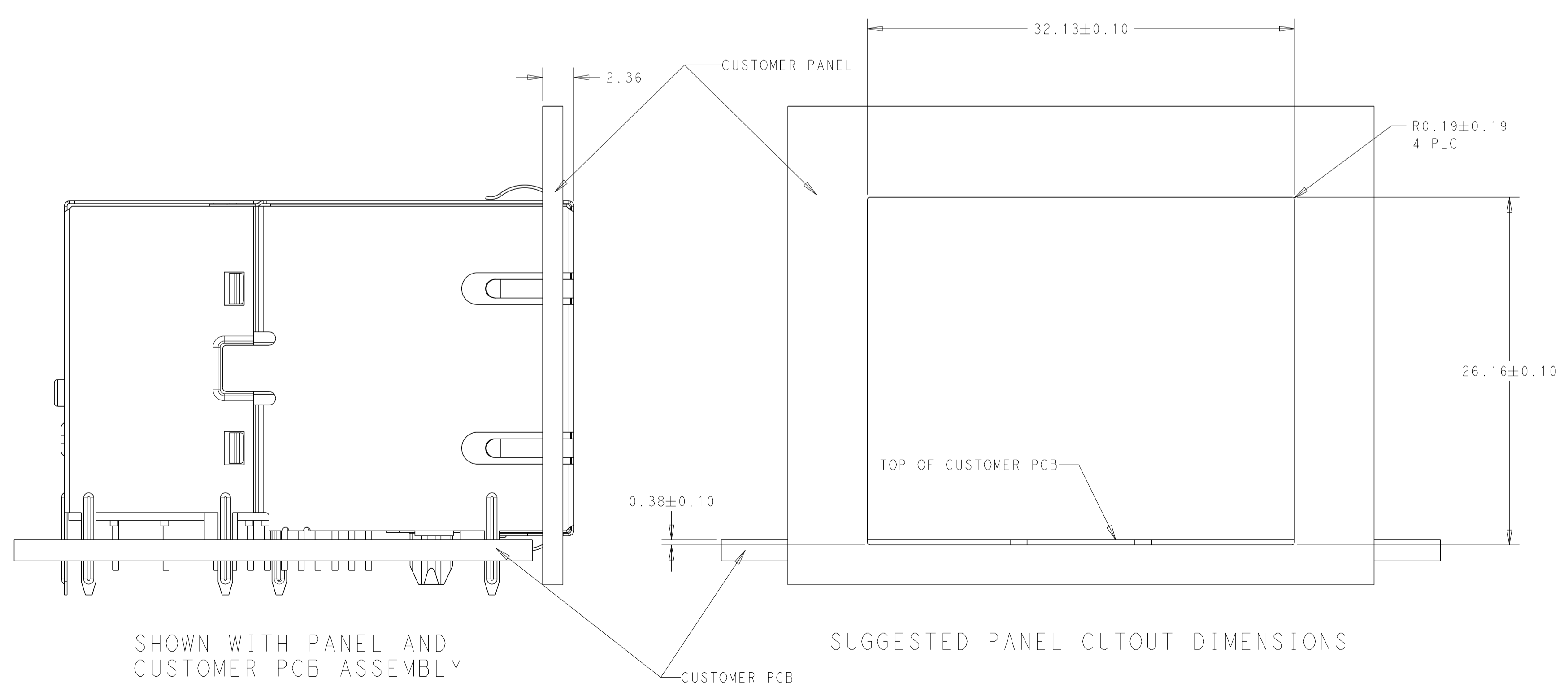
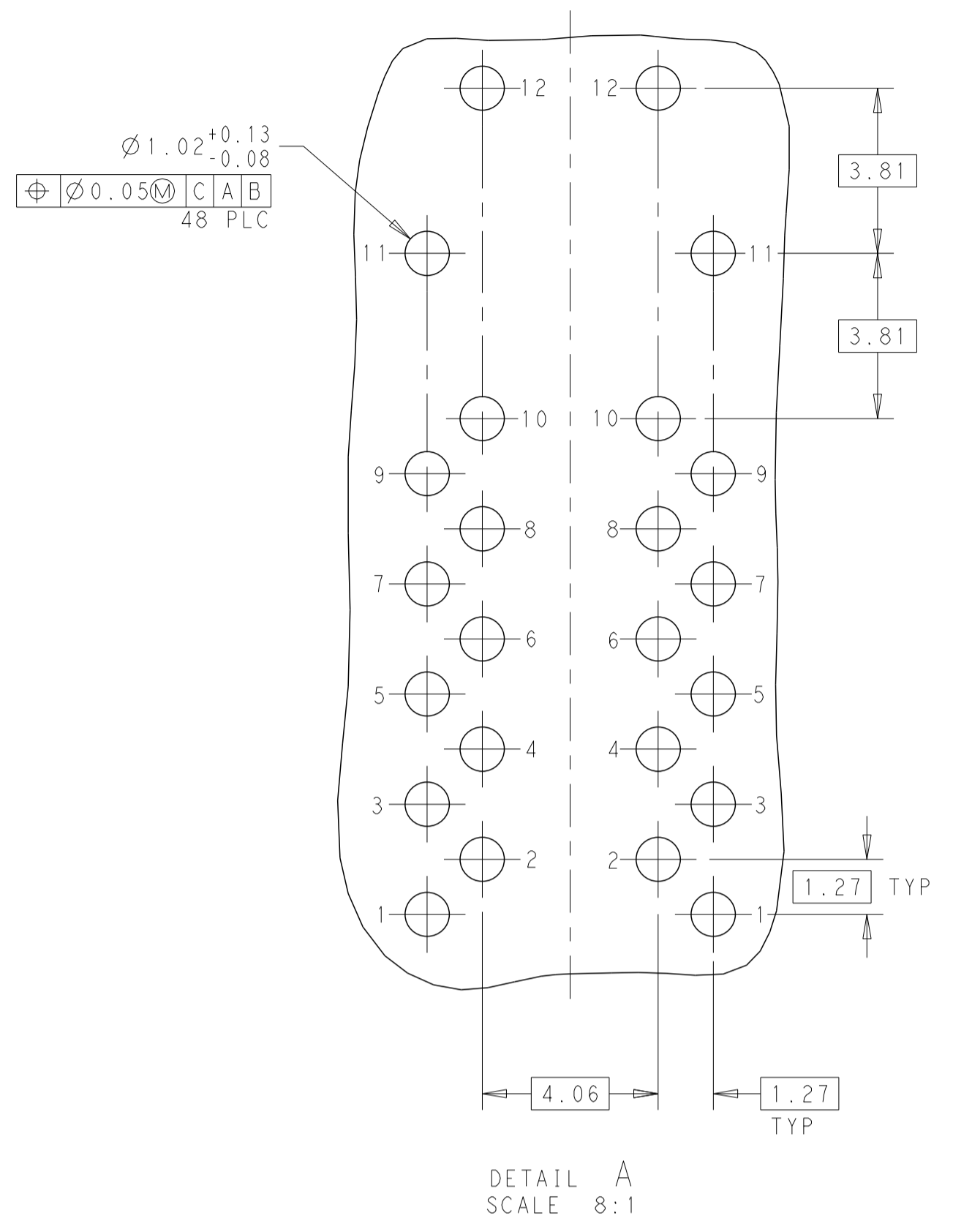
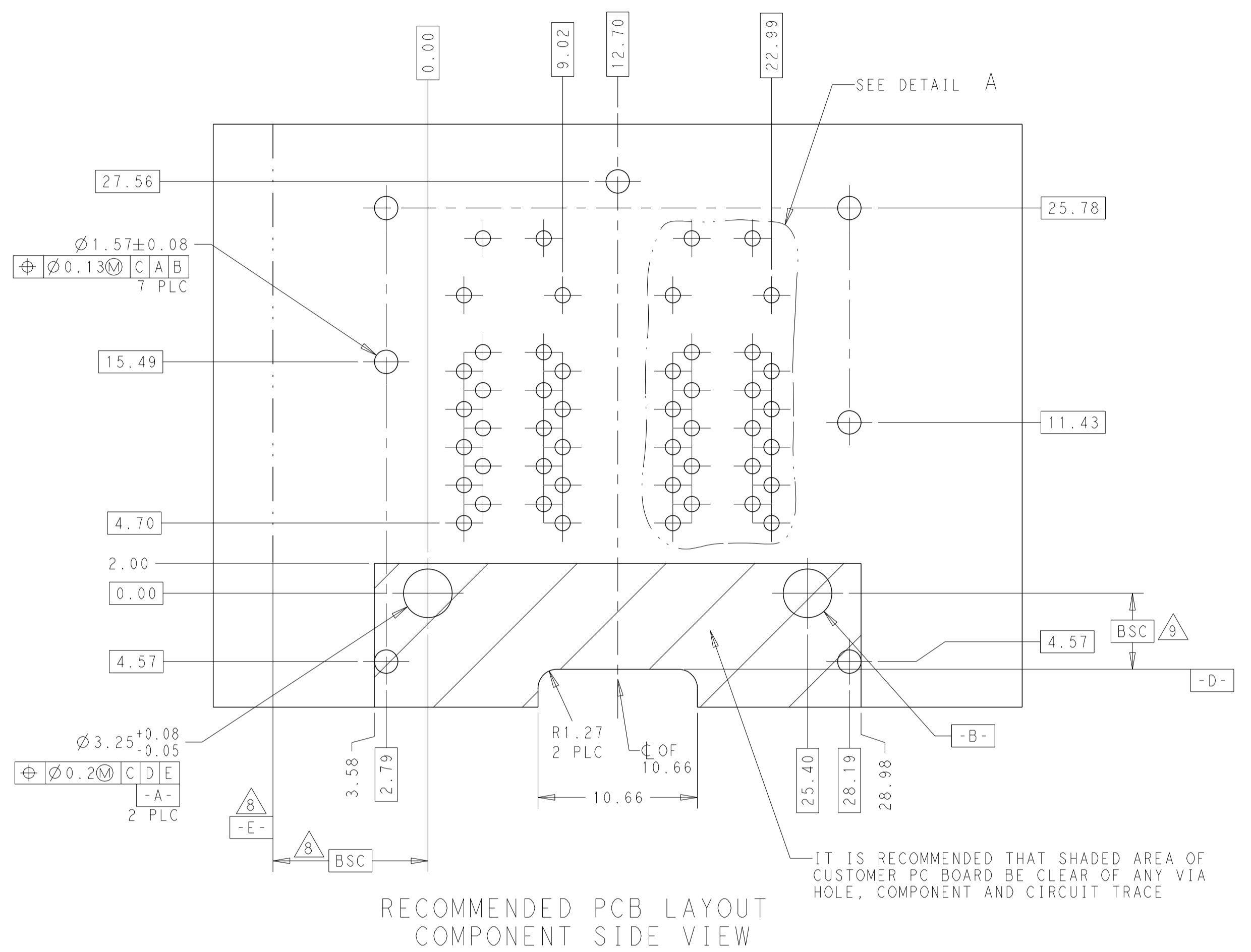
1. MATERIALS:  
 PLASTIC HOUSING: BLACK, THERMOPLASTIC FLAMMABILITY RATING UL 94V-0  
 SHIELD: BRASS, PREPLATED WITH 0.76um MIN SEMI-BRIGHT NICKEL,  
 POST DIPPED WITH 2.54um MIN SAC SOLDER OR PURE TIN SOLDER DIP  
 ON SOLDER TAILS,  
 CONTACTS: PHOSPHOR BRONZE, 1.27um MIN OVERALL NICKEL  
 UNDERPLATE WITH SELECT 1.27um MIN GOLD AT MATING INTERFACE AND  
 2.54um MIN MATTE TIN ON SOLDER TAILS.
2. MAGNETICS  
 APPLICATION: 10/100/1000 BASE-T, EXTENDED TEMPERATURE PoE PLUS  
 IMPEDANCE: 100 OHMS  
 TURNS RATIO (CHIP:CABLE): 1:1 ALL FOUR PAIRS  
 OPEN CIRCUIT INDUCTANCE (OCL): ALL CHANNELS 350uH MIN @100kHz,  
 0.1VRMS WITH 8mADC BIAS FROM -40°C TO +85°C, 120uH MIN @100kHz,  
 0.1VRMS WITH 19mADC BIAS FROM -40°C TO +85°C, ACROSS RJ1-RJ2 & RJ3-RJ6  
 ALL FOUR PAIRS BI-DIRECTIONAL  
 POE CURRENT: 600mADC MAX  
 PERFORMANCE @ 25°C:  
 INSERTION LOSS (IL): 1.1dB MAX FROM 0.5MHz TO 100MHz  
 RETURN LOSS (RL): 18dB MIN FROM 0.5MHz TO 40MHz  
 12-20LOG(f/80)dB MIN FROM 40.1MHz TO 100MHz  
 CROSSTALK ATTENUATION: 35dB MIN FROM 0.5MHz TO 40MHz  
 33-20LOG(f/50)dB MIN FROM 40.1MHz TO 100MHz  
 COMMON MODE REJECTION RATIO (CMRR): 30dB MIN FROM 0.5MHz TO 100MHz
3. PART NUMBER, DATE CODE AND COUNTRY OF ORIGIN ARE  
 LOCATED IN APPROXIMATE AREA SHOWN.  
 DATE CODE: YYWD WHERE "YY" IS YEAR, "WW" IS WORK WEEK, "D" IS DAY  
 OF WEEK, WITH SUNDAY =1
4. TRP CONNECTOR LOGO AND AGENCY APPROVAL LOGO ARE  
 LOCATED IN APPROXIMATE AREA SHOWN.
5. OPERATING TEMP: FROM -40°C TO +85°C.
6. RJ45 CAVITY CONFORMS TO FCC RULES AND REGULATION PART 68 SUBPART F.
7. INDICATED MAGNETIC CONNECTIONS ARE SYMMETRICAL AND  
 SUPPORT AUTO-MDI/MDIX.
8. DATUM AND BASIC DIMENSION ESTABLISHED BY CUSTOMER.
9. BASIC DIMENSION ESTABLISHED BY CUSTOMER, BUT MAY NOT BE  
 GREATER THAN 5.08mm.
10. THE PARTS ARE RECOMMENDED FOR WAVE SOLDERING PROCESS,  
 PEAK TEMPERATURE 260°C MAX, 10 SECONDS MAX.

2250210-1  
PART NUMBER

THIS DRAWING IS A CONTROLLED DOCUMENT.		DWR: TOMMY REN 18JUN2014		DONGGUAN CHINA												
DIMENSIONS: mm		CHK: TOMMY REN 18JUN2014														
<table border="1"> <thead> <tr> <th>TOLERANCES UNLESS OTHERWISE SPECIFIED:</th> <th></th> </tr> </thead> <tbody> <tr> <td>0 PLC</td> <td>±0.25</td> </tr> <tr> <td>1 PLC</td> <td>±0.25</td> </tr> <tr> <td>2 PLC</td> <td>±0.25</td> </tr> <tr> <td>3 PLC</td> <td>±</td> </tr> <tr> <td>4 PLC</td> <td>±</td> </tr> <tr> <td>ANGLES</td> <td>±</td> </tr> </tbody> </table>		TOLERANCES UNLESS OTHERWISE SPECIFIED:				0 PLC	±0.25	1 PLC	±0.25	2 PLC	±0.25	3 PLC	±	4 PLC	±	ANGLES
TOLERANCES UNLESS OTHERWISE SPECIFIED:																
0 PLC	±0.25															
1 PLC	±0.25															
2 PLC	±0.25															
3 PLC	±															
4 PLC	±															
ANGLES	±															
PRODUCT SPEC: 108-104004		MODEL NAME: MAGJACK STACK PoE+	DESC: 2X2 S9HG136ET GIGABIT PoE+ W/O LED	RESTRICTED TO: -												
CUSTOMER DRAWING		SIZE: A1	CAGE CODE: C=2250210	DRAWING NO: 2250210-1												
		SCALE: 4:1	SHEET: 1	OF: 4												
				REV: 2												


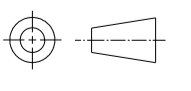


THIS DRAWING IS A CONTROLLED DOCUMENT.		DRW: TOMMY REN 18JUN2014	 <b>trp</b> CONNECTOR a bel group DONGGUAN CHINA
DIMENSIONS: mm		CHK: TOMMY REN 18JUN2014	
TOLERANCES UNLESS OTHERWISE SPECIFIED:		APP'D: TONY YIJIAN 18JUN2014	
0 PLC ±0.25 1 PLC ±0.25 2 PLC ±0.25 3 PLC ±0.25 4 PLC ± ANGLES ± APPLICATION SPEC ±	MODEL NAME <b>MAGJACK</b> <b>STACK PoE+</b>	DESC: 2X2 S9HG136ET GIGABIT PoE+ W/O LED SIZE: A1 CAGE CODE: - DRAWING NO: C=2250210 RESTRICTED TO: -	
PRODUCT SPEC 108-104004	APPLICATION SPEC -	CUSTOMER DRAWING SCALE: 4:1 SHEET: 2 OF 4 REV: 2	



THIS DRAWING IS A CONTROLLED DOCUMENT.		DRW: TOMMY REN 18JUN2014	 DONGGUAN CHINA
		CHK: TOMMY REN 18JUN2014	
		APP: TONY YIJIAN 18JUN2014	
DIMENSIONS: mm		TOLERANCES UNLESS OTHERWISE SPECIFIED:	MODEL NAME
		0 PLC ±0.25	MAGJACK
		1 PLC ±0.25	STACK PoE+
		2 PLC ±0.25	
		3 PLC ±	
		4 PLC ±	
		ANGLES	
PRODUCT SPEC 108-104004		APPLICATION SPEC	
			DESC: 2X2 S9HG136ET GIGABIT PoE+ W/O LED
			SIZE: A1
			CAGE CODE: 2250210
			DRAWING NO: -
			RESTRICTED TO: -
			CUSTOMER DRAWING
			SCALE: 4:1
			SHEET 3 OF 4
			REV 2

2250210					STOCK DISPOSITION			
REVISION HISTORY					A: CONTINUE AS IS		D: USE OLD FIRST	
					B: REWORK		E: PARTS TO CONFORM	
					C: SCRAP		F: OTHER	
DATE	REV	CHANGES	REASON	APPROVAL	INVENTORY (A,B,C,D,E,F)	WORK IN PROCESS (A,B,C,F)	SUPPLIER ORDERS (A,E,F)	OPEN CUST ORDERS (A,E,F)
18JUN2014	1	INITIAL RELEASE	INITIAL RELEASE	TY	-	-	-	-

THIS DRAWING IS A CONTROLLED DOCUMENT.		DRW: TOMMY REN 18JUN2014	 <b>trp</b> CONNECTOR <small>a bel group</small>	DONGGUAN CHINA		
DIMENSIONS: mm		CHK: TOMMY REN 18JUN2014		DESC: 2X2 S9HG136ET GIGABIT PoE+ W/O LED		
TOLERANCES UNLESS OTHERWISE SPECIFIED:		APP'D: TONY YIJAN 18JUN2014		RESTRICTED TO		
	0 PLC ±0.25 1 PLC ±0.25 2 PLC ±0.25 3 PLC ± 4 PLC ± ANGLES ± APPLICATION SPEC ±	MODEL NAME: MAGJACK STACK PoE+		SIZE: A1	DRAWING NO: C=2250210	
PRODUCT SPEC: 108-104004	APPLICATION SPEC: -	CUSTOMER DRAWING		SCALE: 4:1	SHEET 4 OF 4 REV 2	