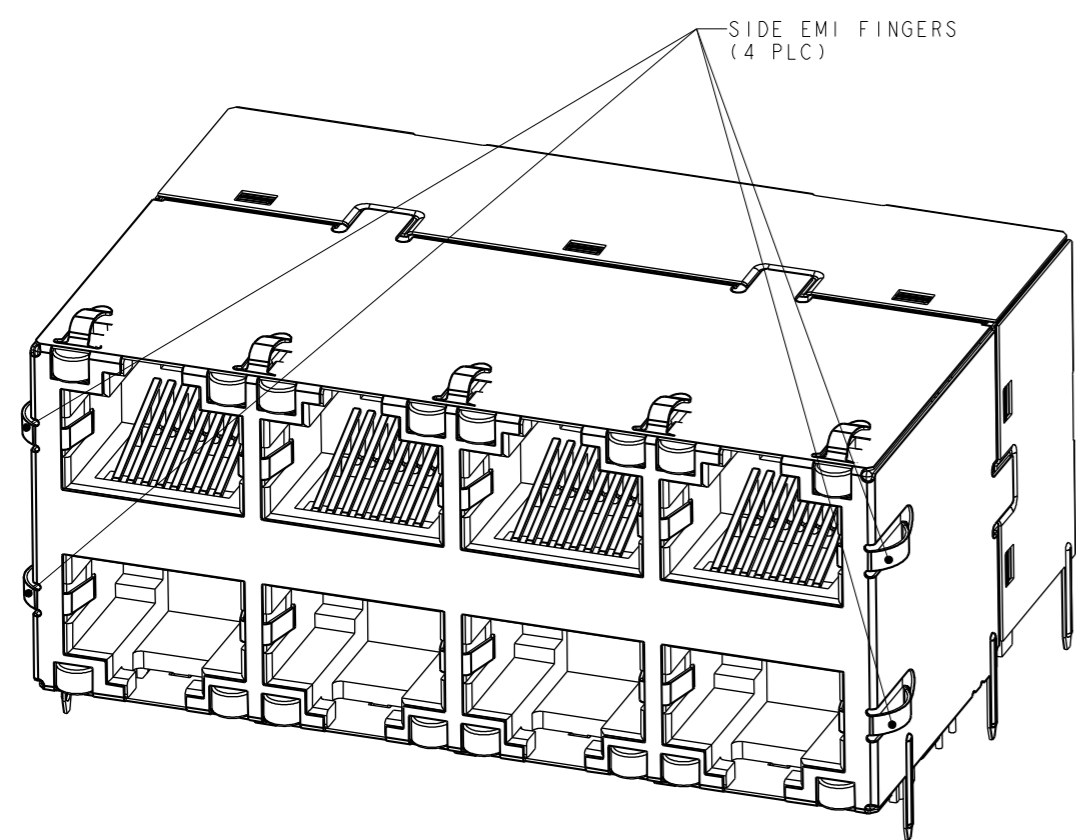


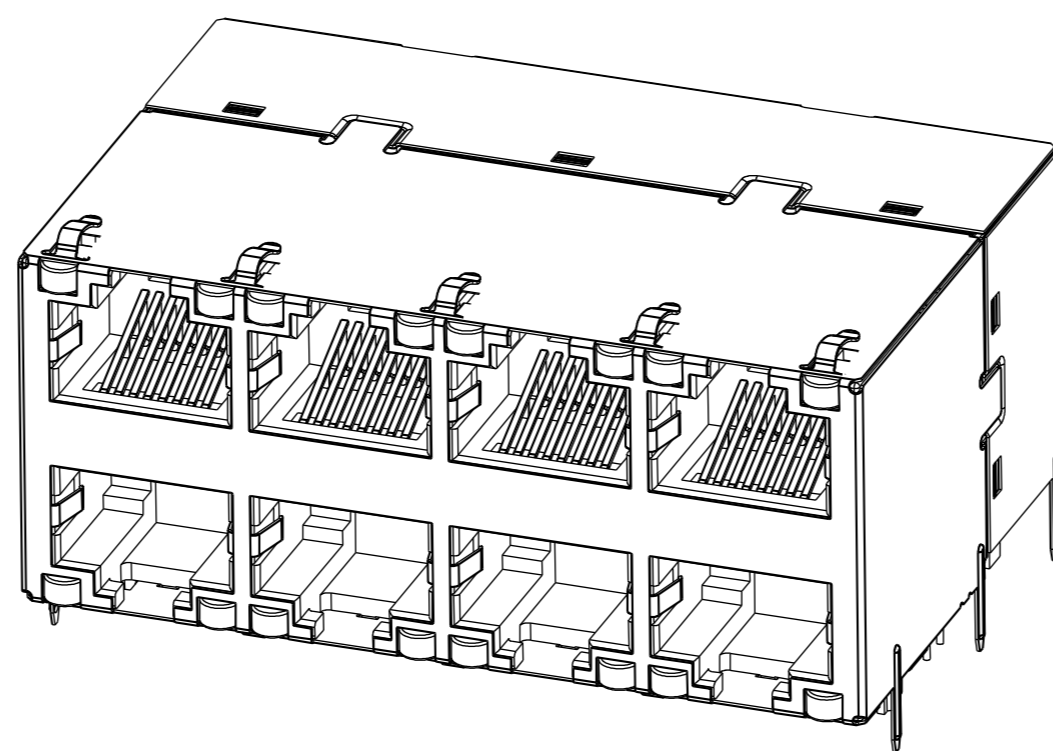
THIS DRAWING AND THE SUBJECT MATTER SHOWN THEREON ARE CONFIDENTIAL AND THE PROPERTY OF BEL/STEWART/TRP CONNECTOR AND SHALL NOT BE REPRODUCED, COPIED, OR USED IN ANY MANNER WITHOUT THE WRITTEN CONSENT OF TRP CONNECTOR.

PRODUCT MAY BE PROTECTED BY ONE OR MORE OF THE FOLLOWING US PATENTS:  
 5736910 5939955 6425781 6428361 6554638 6840817 7123117  
 7429195 7717749 7808751 6217391 6149050 7924130

REVISIONS					
P	LYR	DESCRIPTION	DATE	DWN	APVD
4		EC-1411035 COMPANY LOGO CHANGE	06JAN2015	RL	TY



2250135-7



1-2250135-7

1. MATERIALS:  
 PLASTIC HOUSING: BLACK, THERMOPLASTIC FLAMMABILITY RATING UL 94V-0  
 SHIELD: BRASS, PREPLATED WITH 0.76um MIN SEMI-BRIGHT NICKEL,  
 POST DIPPED WITH 2.54um MIN SAC SOLDER ON SOLDER TAILS,  
 CONTACTS: PHOSPHOR BRONZE, 1.27um MIN OVERALL NICKEL  
 UNDERPLATE WITH SELECT 1.27um MIN GOLD OR WITH SELECT 0.05um MIN  
 GOLD OVER 0.76um MIN PALLADIUM-NICKEL AT MATING INTERFACE AND  
 2.54um MIN MATTE TIN ON SOLDER TAILS.  
 LED: DIFFUSED EPOXY LENS, CARBON STEEL LEAD FRAME TAILS OF LED  
 ARE PREPLATED WITH 2.03um MIN SILVER OVER 1.02um MIN NICKEL  
 UNDERPLATE OVER 1.02um MIN COPPER UNDERPLATE. POST-PLATED WITH  
 2.54um MIN MATTE TIN AND/OR SAC SOLDER DIP OR PURE TIN SOLDER DIP

- △ MAGNETICS  
 APPLICATION: 10/100/1000 BASE-T, PoE PLUS  
 IMPEDANCE: 100 OHMS  
 TURNS RATIO (CHIP:CABLE): 1:1 ALL FOUR PAIRS  
 OPEN CIRCUIT INDUCTANCE (OCL): ALL CHANNELS,  
 350uH MIN@100kHz, 0.1VRMS, WITH 8mADC BIAS FROM 0°C TO 70°C  
 120uH MIN@100kHz, 0.1VRMS, 19mADC BIAS FROM 0°C TO 70°C,  
 ACROSS RJ1-RJ2 & RJ3-RJ6  
 ALL FOUR PAIRS BI-DIRECTIONAL  
 POE CURRENT: 600mADC MAX  
 PERFORMANCE @ 25°C:  
 INSERTION LOSS (IL): 1.1dB MAX FROM 0.5MHz TO 100MHz  
 RETURN LOSS (RL): 18dB MIN FROM 0.5MHz TO 40MHz  
 12-20LOG(f/80)dB MIN FROM 40.1MHz TO 100MHz  
 CROSSTALK ATTENUATION: 35dB MIN FROM 0.5MHz TO 40MHz  
 33-20LOG(f/50)dB MIN FROM 40.1MHz TO 100MHz  
 COMMON MODE REJECTION RATIO (CMRR): 30dB MIN FROM 0.5MHz TO 100MHz  
 ISOLATION VOLTAGE: 2250VDC(MAX) FOR 60 SECONDS WITH A RISE TIME OF  
 500V/SEC AND WITH ALL PORTS CONNECTED.

- △ PART NUMBER, DATE CODE AND COUNTRY OF ORIGIN ARE  
 LOCATED IN APPROXIMATE AREA SHOWN. "YY" IS YEAR, "WW" IS WORK WEEK,  
 "D" IS THE DAY OF WEEK, WITH "SUNDAY"=1.

- △ TRP CONNECTOR LOGO AND AGENCY APPROVAL LOGO ARE  
 LOCATED IN APPROXIMATE AREA SHOWN.

5. OPERATING TEMP: FROM 0°C TO +70°C.

6. RJ45 CAVITY CONFORMS TO FCC RULES AND REGULATION PART 68 SUBPART F.

- △ INDICATED MAGNETIC CONNECTIONS ARE SYMMETRICAL AND  
 SUPPORT AUTO-MDI/MDIX.

- △ DATUM AND BASIC DIMENSION ESTABLISHED BY CUSTOMER.

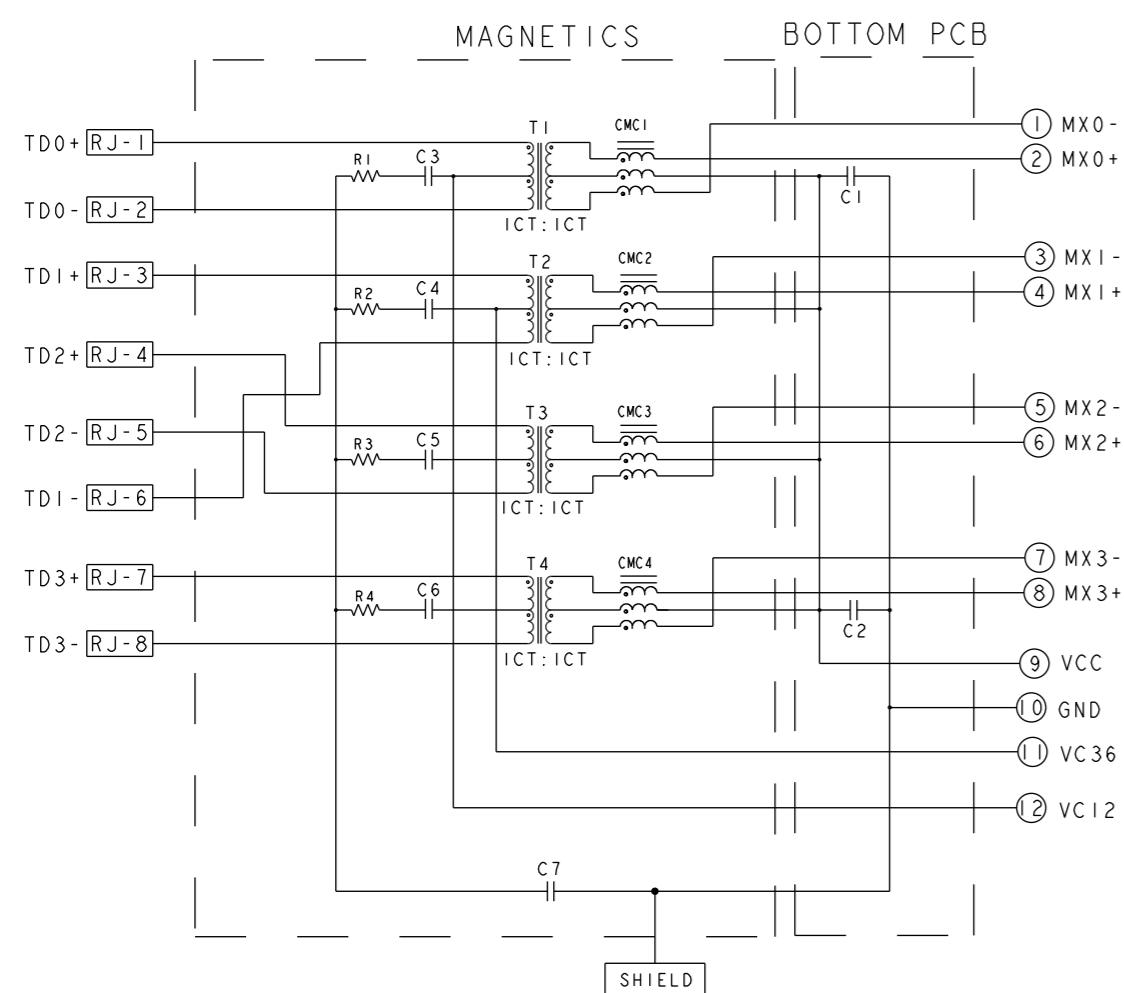
- △ BASIC DIMENSION ESTABLISHED BY CUSTOMER, BUT MAY NOT BE  
 GREATER THAN 5.08mm.

- △ LEDS ARE DRIVEN WITH CONSTANT CURRENT AT APPROX 20mA  
 LED COLOR: DOMINANT WAVELENGTH (λD): GREEN 568 nm TYP. @ IF=20mA  
 FORWARD VOLTAGE (VF): GREEN 2.2V TYP. @ IF=20mA  
 DOMINANT WAVELENGTH (λD): ORANGE 605 nm TYP. @ IF=20mA  
 FORWARD VOLTAGE (VF): ORANGE 2.1V TYP. @ IF=20mA

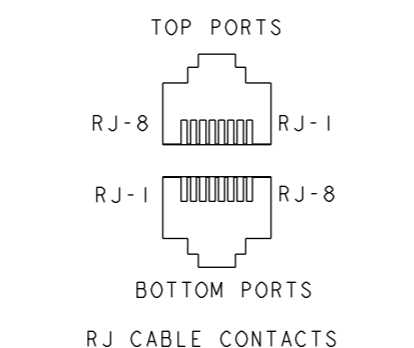
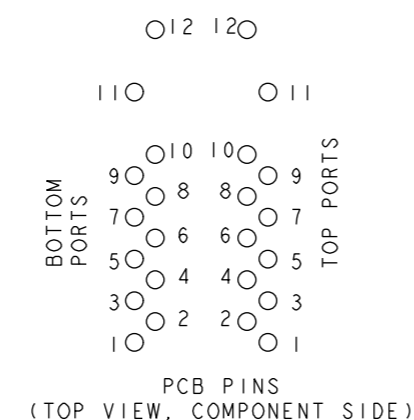
11. THE PARTS ARE RECOMMENDED FOR WAVE SOLDERING PROCESS,  
 PEAK TEMPERATURE 260°C MAX, 10 SECONDS MAX.

S9HG62A GIGABIT PoE PLUS CIRCUIT

TOP AND BOTTOM PORTS



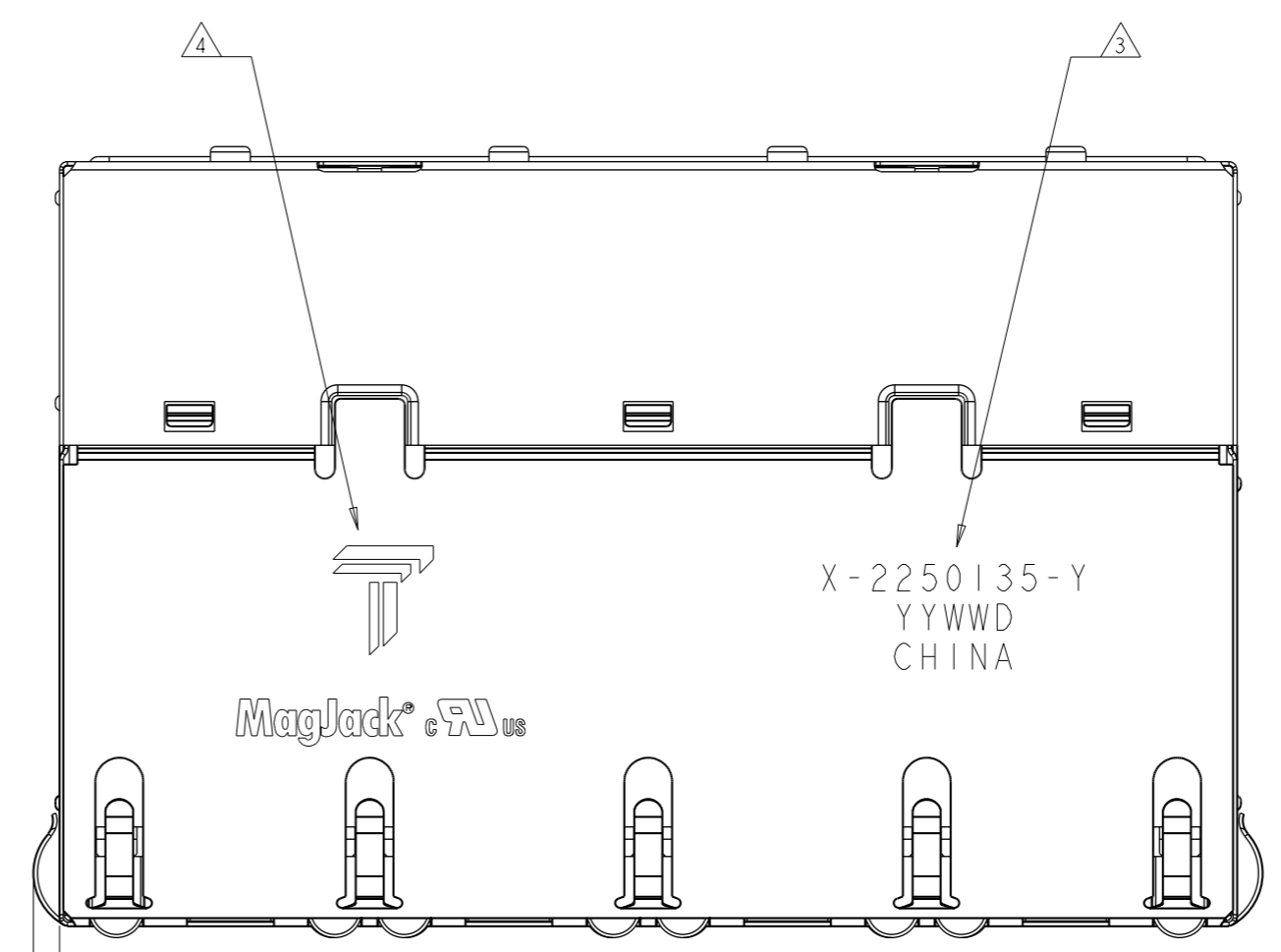
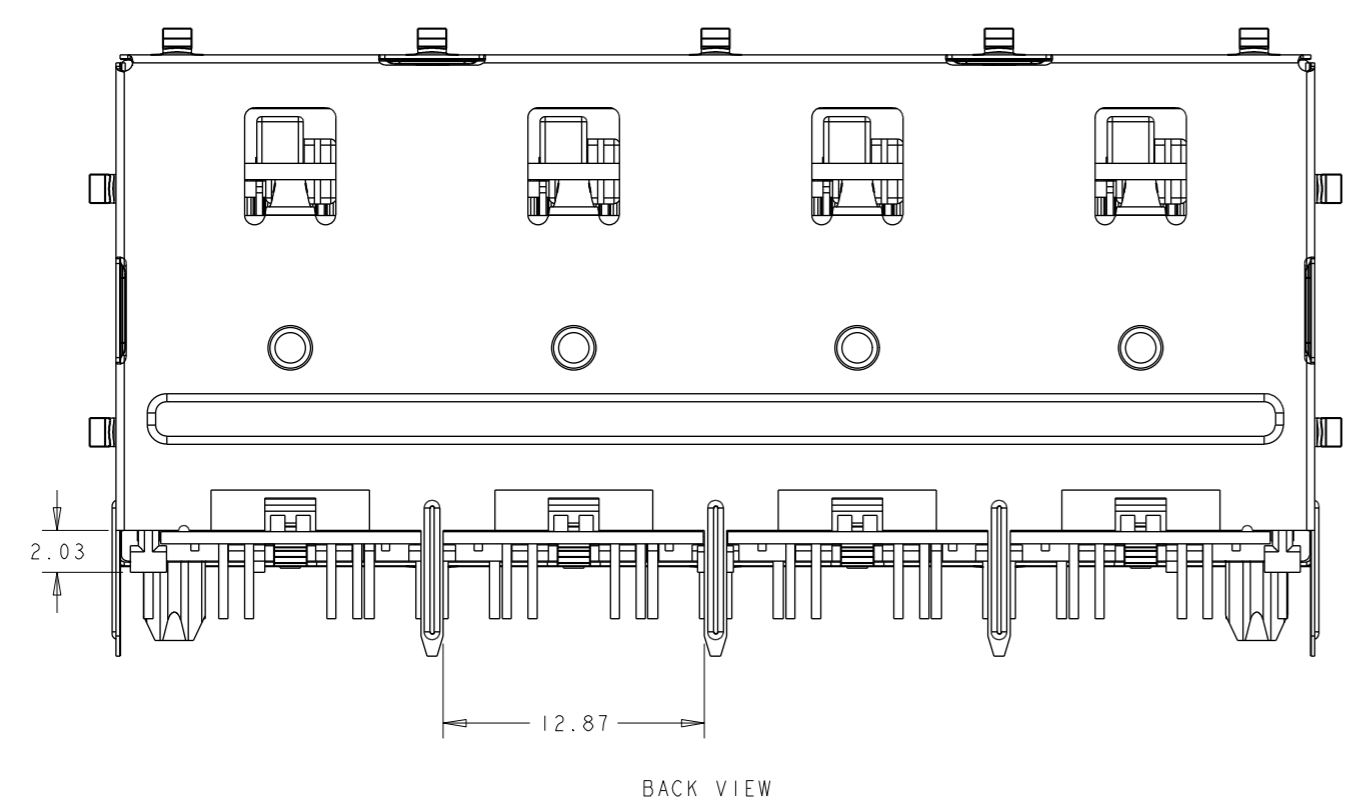
PIN DESIGNATIONS  
 (REPEAT FOR EACH  
 VERTICAL PAIR OF PORTS)



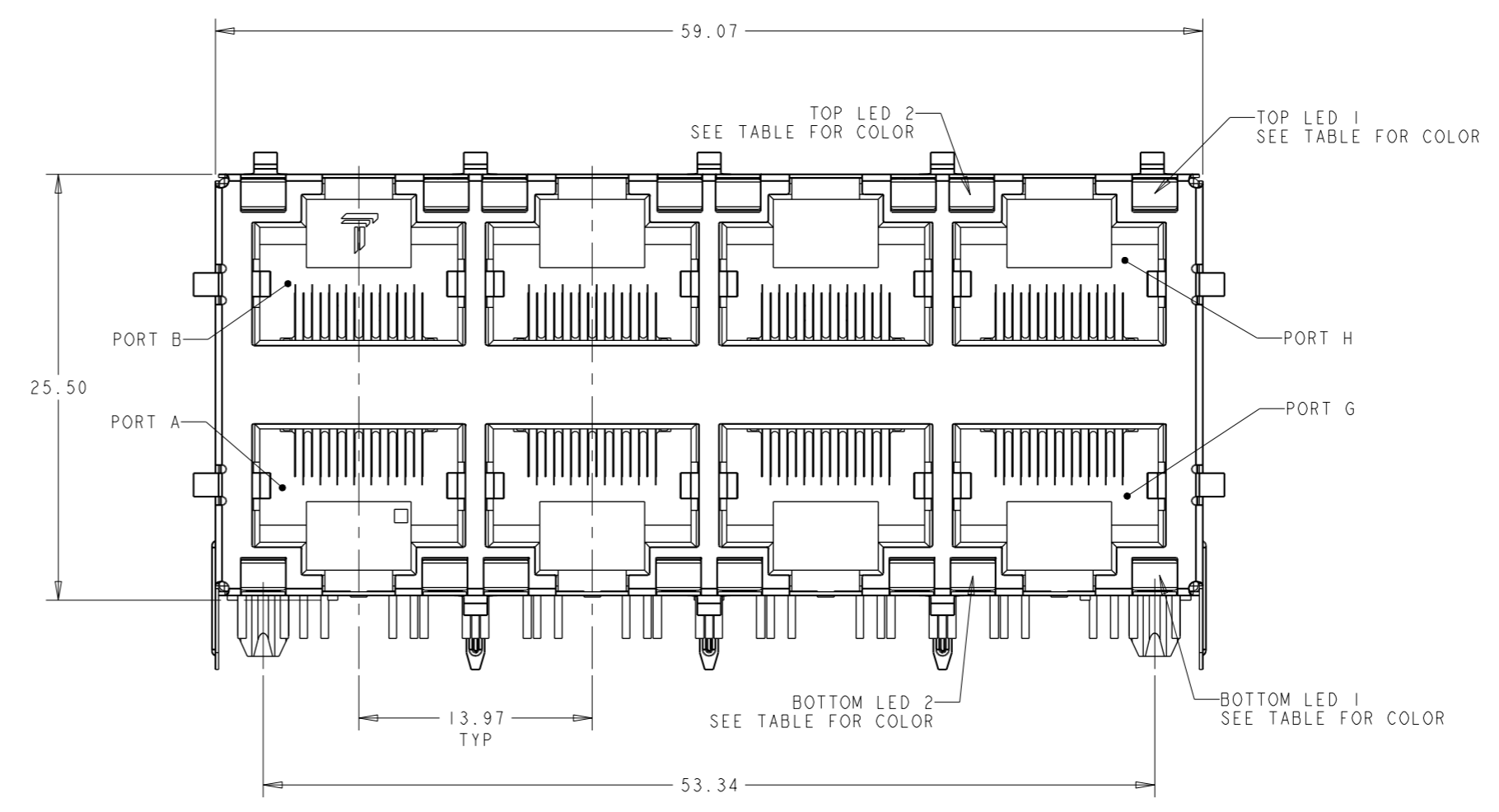
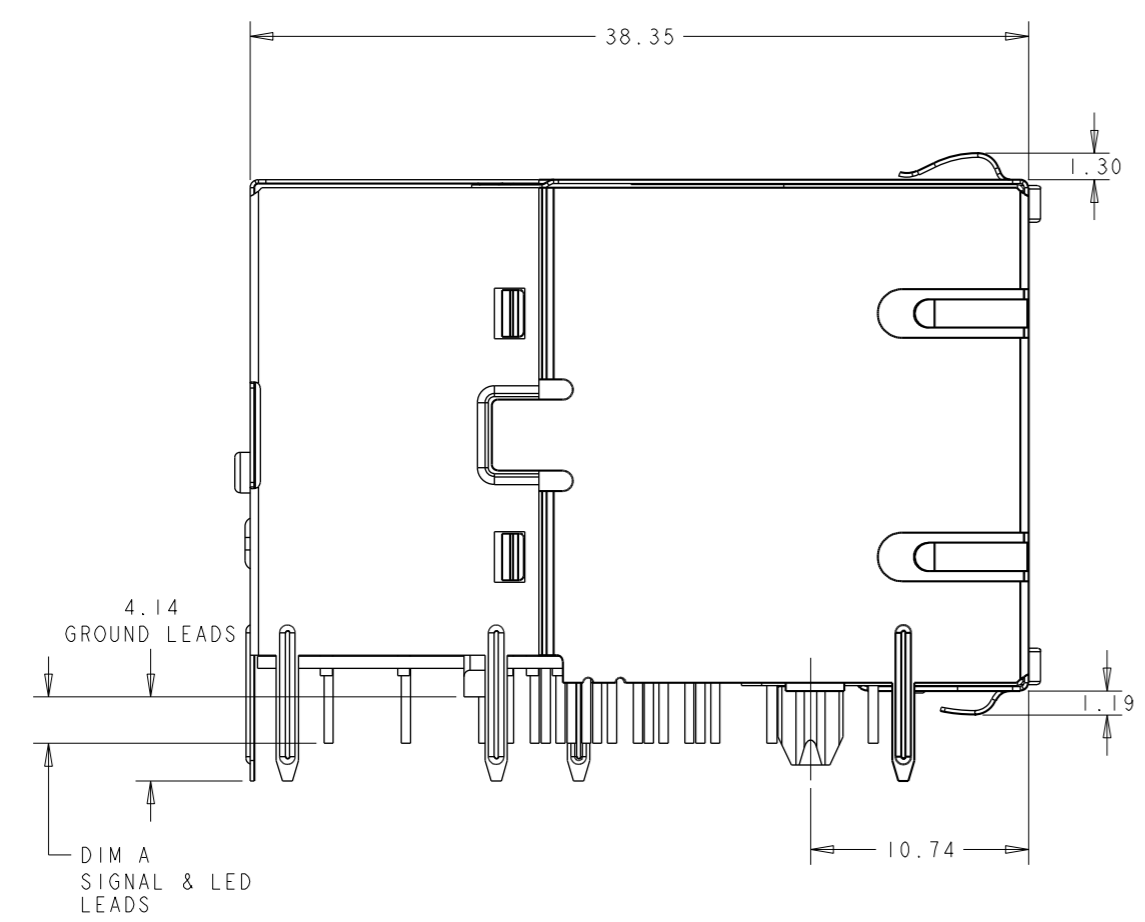
C1 - C2 = 10nF, 50V, X7R, CAPACITORS  
 C3 - C6 = 22nF, 100V, CAPACITORS  
 C7 = 1000pF, 2kV, CAPACITOR  
 R1 - R4 = 75 Ohms, 1/16W, RESISTORS

W/O	3.56	GRN/ORA	GRN/ORA	GRN/ORA	GRN/ORA	1-2250135-7
W/	3.56	GRN/ORA	GRN/ORA	GRN/ORA	GRN/ORA	2250135-7
SIDE EMI FINGERS	DIM A	BOTTOM LED 2	BOTTOM LED 1	TOP LED 2	TOP LED 1	PART NUMBER

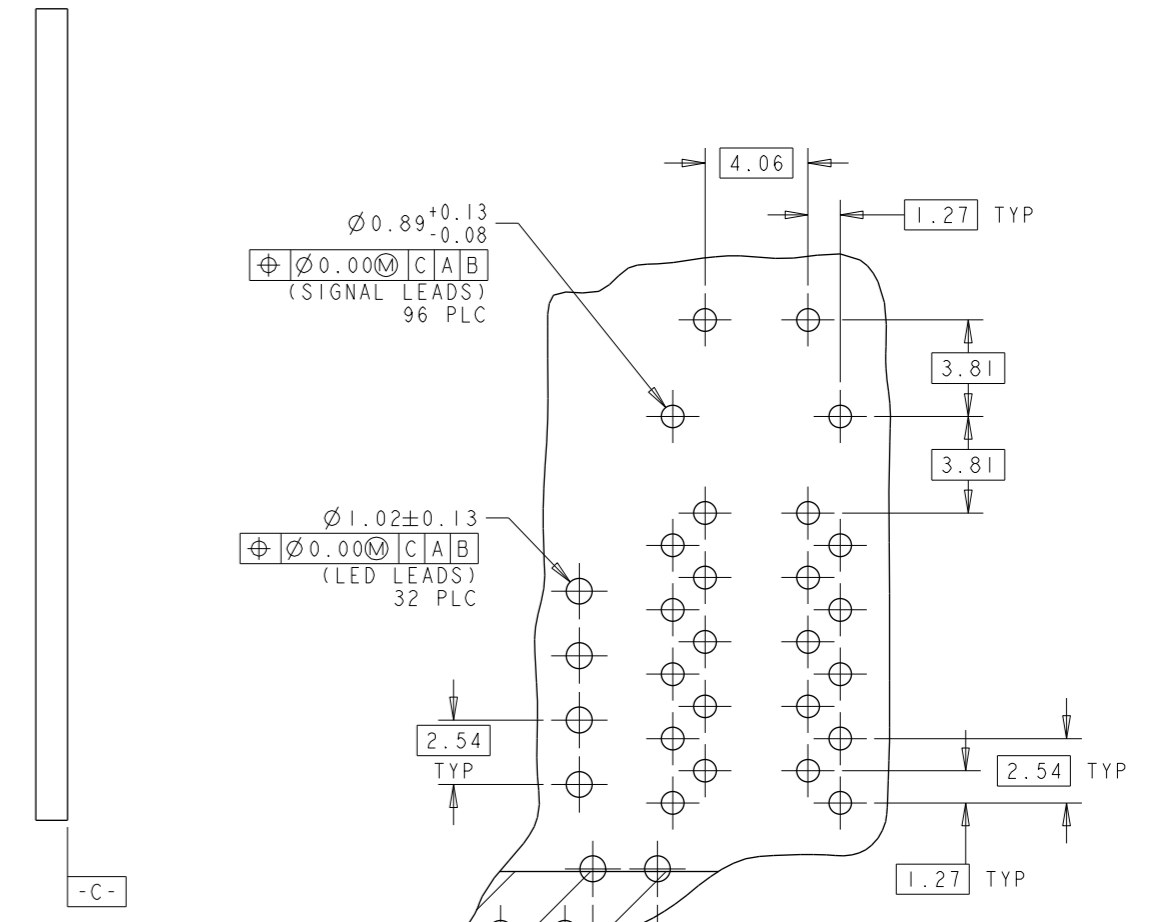
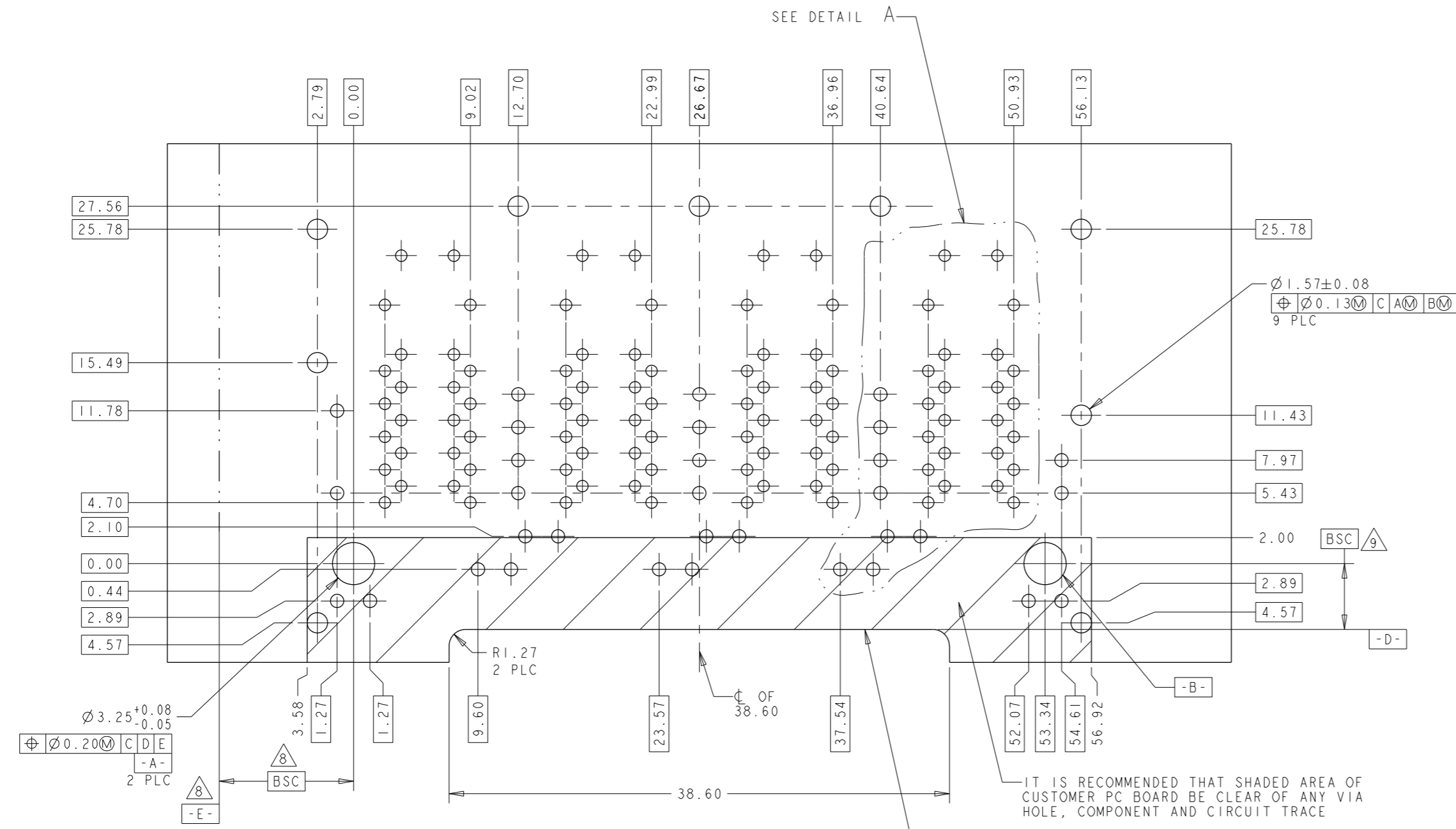
THIS DRAWING IS A CONTROLLED DOCUMENT.		DWN: TOMMY REN 09DEC2013			DONGGUAN CHINA
DIMENSIONS: mm		CHK: TONY YUAN 09DEC2013			
TOLERANCES UNLESS OTHERWISE SPECIFIED:		APVD: TONY YUAN 09DEC2013		DESC: 2X4 S9HG62A GIGABIT PoE PLUS CIRCUIT, WITH LED	
0 PLC ±0.25 1 PLC ±0.25 2 PLC ±0.25 3 PLC ± 4 PLC ± ANGLES ± APPLICATION SPEC		MODEL NAME: MAGJACK STACK PoE PLUS		SIZE: A1	
PRODUCT SPEC		CUSTOMER DRAWING		SCALE: NTS SHEET 1 OF 4 REV 4	



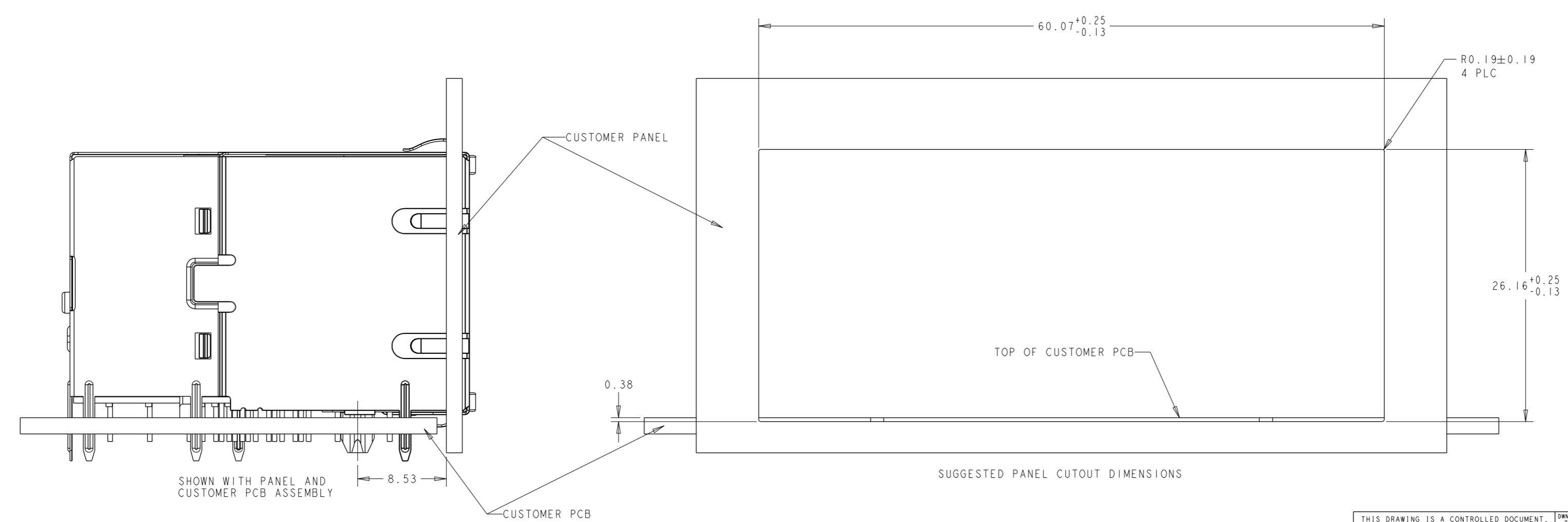
1.30  
DIMENSION FOR WITH  
SIDE EMI FINGERS ONLY



THIS DRAWING IS A CONTROLLED DOCUMENT.		DWN: TOMMY REN 09DEC2013	<p><b>trp</b> CONNECTOR a bel group</p> <p>DONGGUAN CHINA</p>									
DIMENSIONS: mm		CHK: TONY YUAN 09DEC2013										
TOLERANCES UNLESS OTHERWISE SPECIFIED:		APPV: TONY YUAN 09DEC2013										
<table border="1"> <tr><td>0 PLC</td><td>±0.25</td></tr> <tr><td>1 PLC</td><td>±0.25</td></tr> <tr><td>2 PLC</td><td>±0.25</td></tr> <tr><td>3 PLC</td><td>±</td></tr> <tr><td>4 PLC</td><td>±</td></tr> </table>		0 PLC		±0.25	1 PLC	±0.25	2 PLC	±0.25	3 PLC	±	4 PLC	±
0 PLC	±0.25											
1 PLC	±0.25											
2 PLC	±0.25											
3 PLC	±											
4 PLC	±											
<table border="1"> <tr><td>PRODUCT SPEC</td><td>APPLICATION SPEC</td></tr> <tr><td>-</td><td>-</td></tr> </table>		PRODUCT SPEC	APPLICATION SPEC	-	-	DESC: 2X4 S9HG62A GIGABIT PoE PLUS CIRCUIT, WITH LED						
PRODUCT SPEC	APPLICATION SPEC											
-	-											
		SIZE: A1	RESTRICTED TO: -									
		SCALE: NTS	SHEET 2 OF 4									
		CAGE CODE: C=2250135	REV 4									
		CUSTOMER DRAWING										



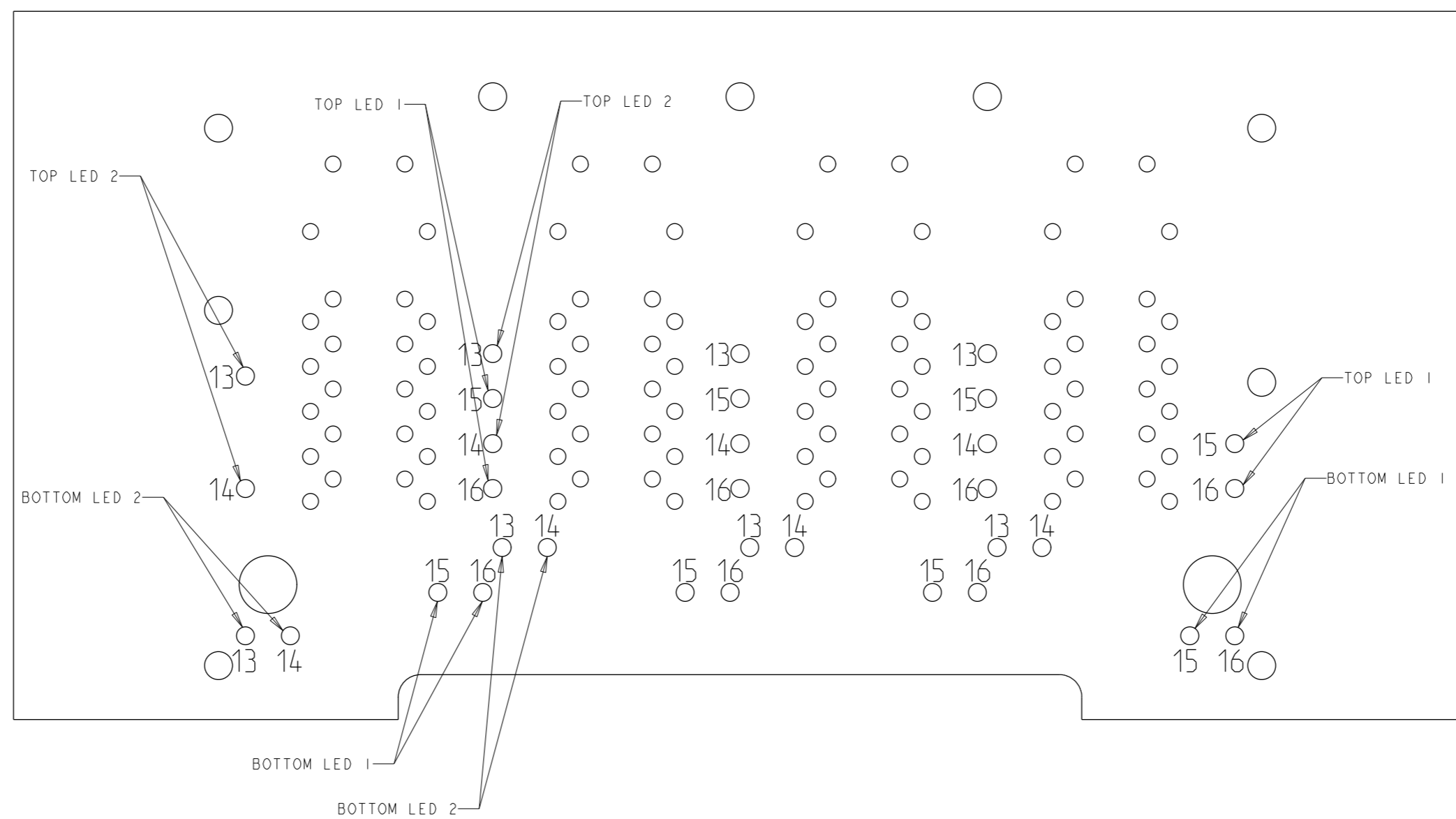
DETAIL A  
SCALE 5:1



IT IS RECOMMENDED THAT SHADED AREA OF CUSTOMER PC BOARD BE CLEAR OF ANY VIA HOLE, COMPONENT AND CIRCUIT TRACE

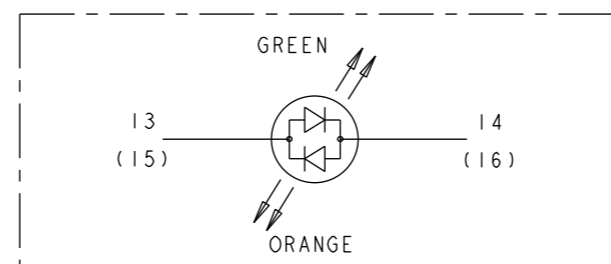
RECOMMENDED PCB FRONT EDGE CUTOUT:  
THE BOTTOM SHIELD GROUND TABS (FRONT) SHOULD NOT BE SEATED ON THE TOP OF THE PCB


THIS DRAWING IS A CONTROLLED DOCUMENT. TOLERANCES UNLESS OTHERWISE SPECIFIED:		DRAWN: TOMMY REN 09DEC2013 CHK: TONY YUAN 09DEC2013 APPD: TONY YUAN 09DEC2013		 DONGGUAN CHINA
DIMENSIONS: mm	0 PLC ±0.25 1 PLC ±0.25 2 PLC ±0.25 3 PLC ± 4 PLC ±	MODEL NAME MAGJACK STACK PoE PLUS	DESC 2X4 S9HG62A GIGABIT PoE PLUS CIRCUIT, WITH LED	
PRODUCT SPEC	APPLICATION SPEC	SIZE A1	CAGE CODE 2250135	RESTRICTED TO
CUSTOMER DRAWING		SCALE NTS	SHEET 3 of 4	REV 4



LED HOLE DESIGNATIONS VIEWED FROM COMPONENT SIDE

BI-COLOR LED



THIS DRAWING IS A CONTROLLED DOCUMENT.		DWN: TOMMY REN 09DEC2013	 <b>trp</b> CONNECTOR a bel group DONGGUAN CHINA
DIMENSIONS: mm		CHK: TONY YUAN 09DEC2013	
TOLERANCES UNLESS OTHERWISE SPECIFIED:		APPD: TONY YUAN 09DEC2013	
0 PLC ±0.25 1 PLC ±0.25 2 PLC ±0.25 3 PLC ± 4 PLC ± ANGLES ± APPLICATION SPEC	MODEL NAME: MAGJACK STACK PoE PLUS	DESC: 2X4 S9HG62A GIGABIT PoE PLUS CIRCUIT, WITH LED SIZE: A1 CAGE CODE: C=2250135 DRAWING NO:	RESTRICTED TO:
PRODUCT SPEC	CUSTOMER DRAWING	SCALE: NTS	SHEET: 4 OF 4 REV: 4