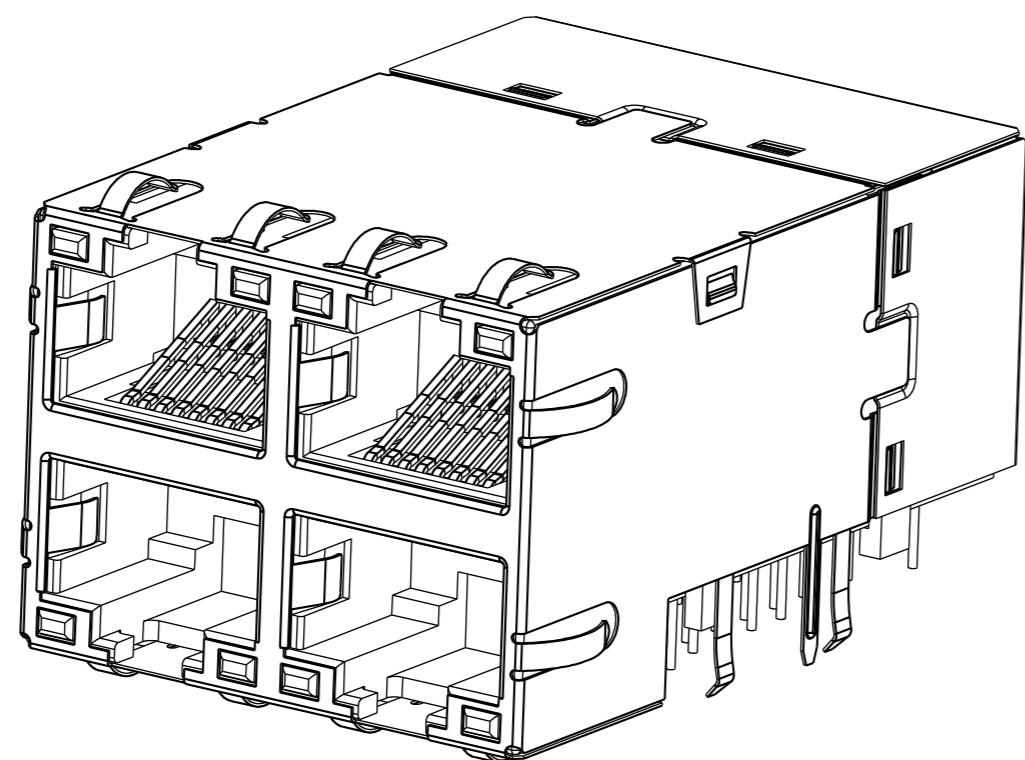


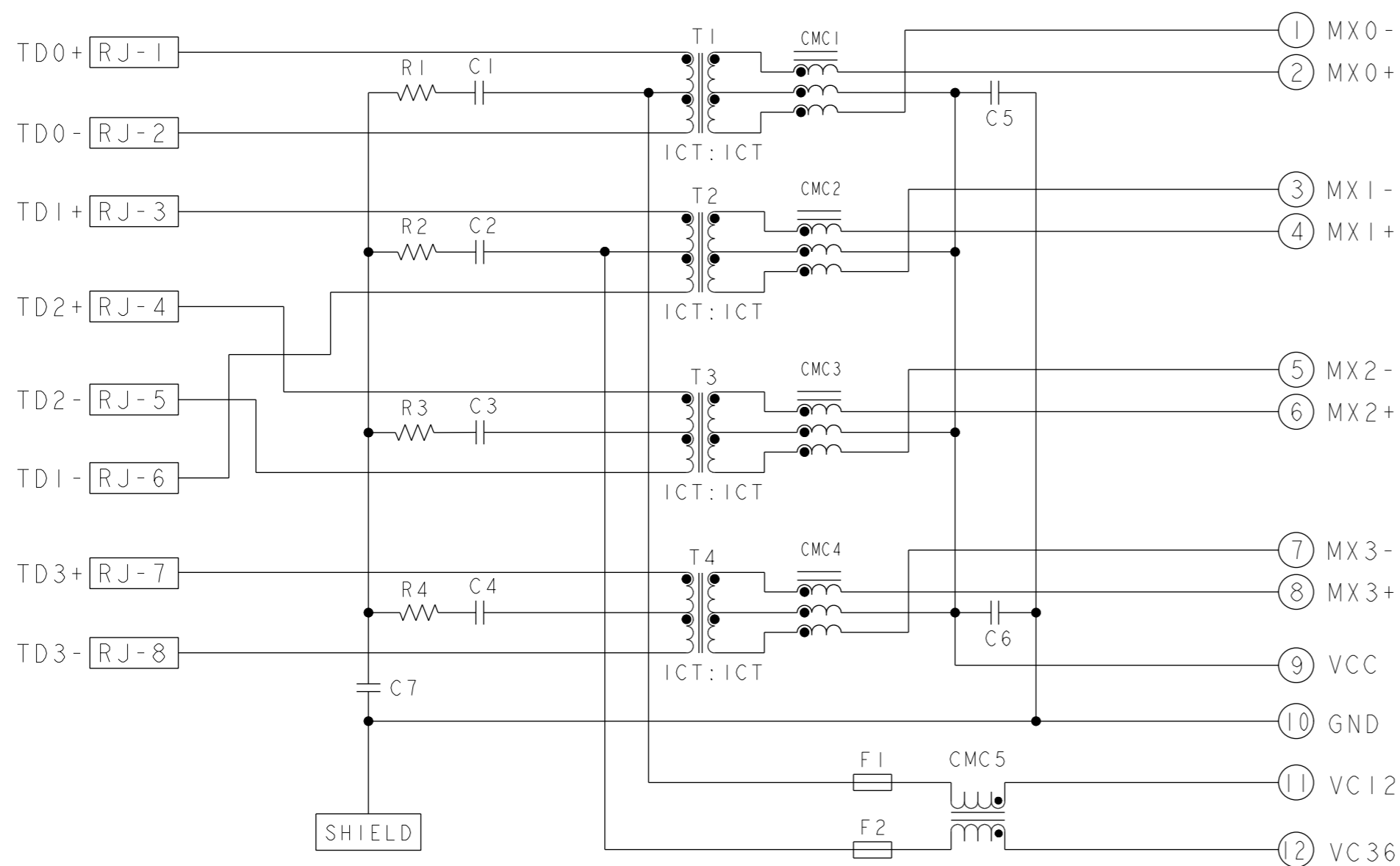
THIS DRAWING AND THE SUBJECT MATTER SHOWN THEREON ARE CONFIDENTIAL AND THE PROPERTY OF BEL/STEWART/TRP CONNECTOR AND SHALL NOT BE REPRODUCED, COPIED, OR USED IN ANY MANNER WITHOUT THE WRITTEN CONSENT OF TRP CONNECTOR.

PRODUCT MAY BE PROTECTED BY ONE OR MORE OF THE FOLLOWING US PATENTS:  
 5736910 5939955 6425781 6428361 6554638 6840817 7123117  
 7429195 7717749 7808751 6217391 6149050 7924130

REVISIONS				
REV	LYR	DESCRIPTION	DATE	APPV
3		EC-1411035 COMPANY LOGO CHANGE	06JAN2015	RL TY



S9HG153 GIGABIT POE PLUS CIRCUIT  
 TOP AND BOTTOM PORTS



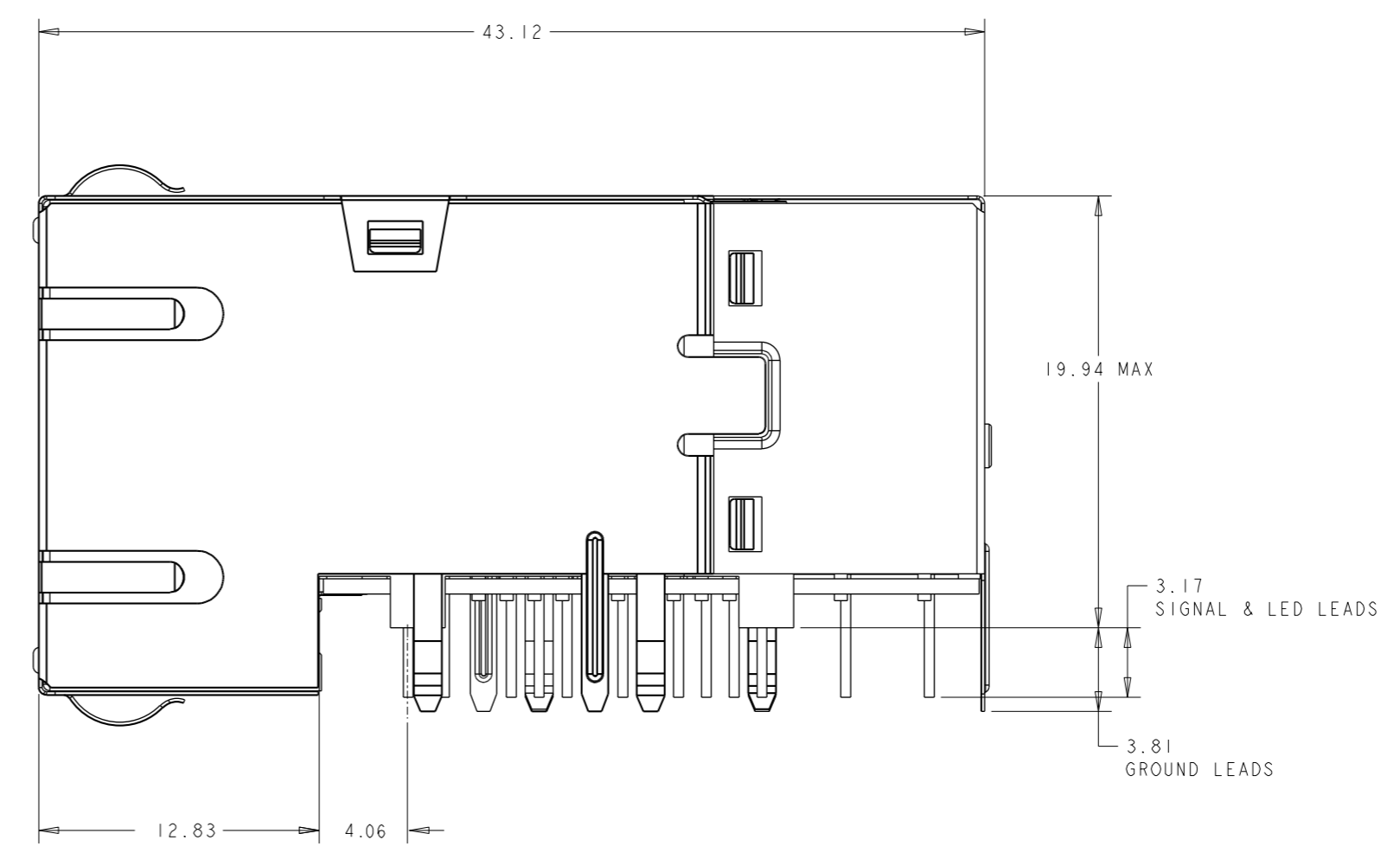
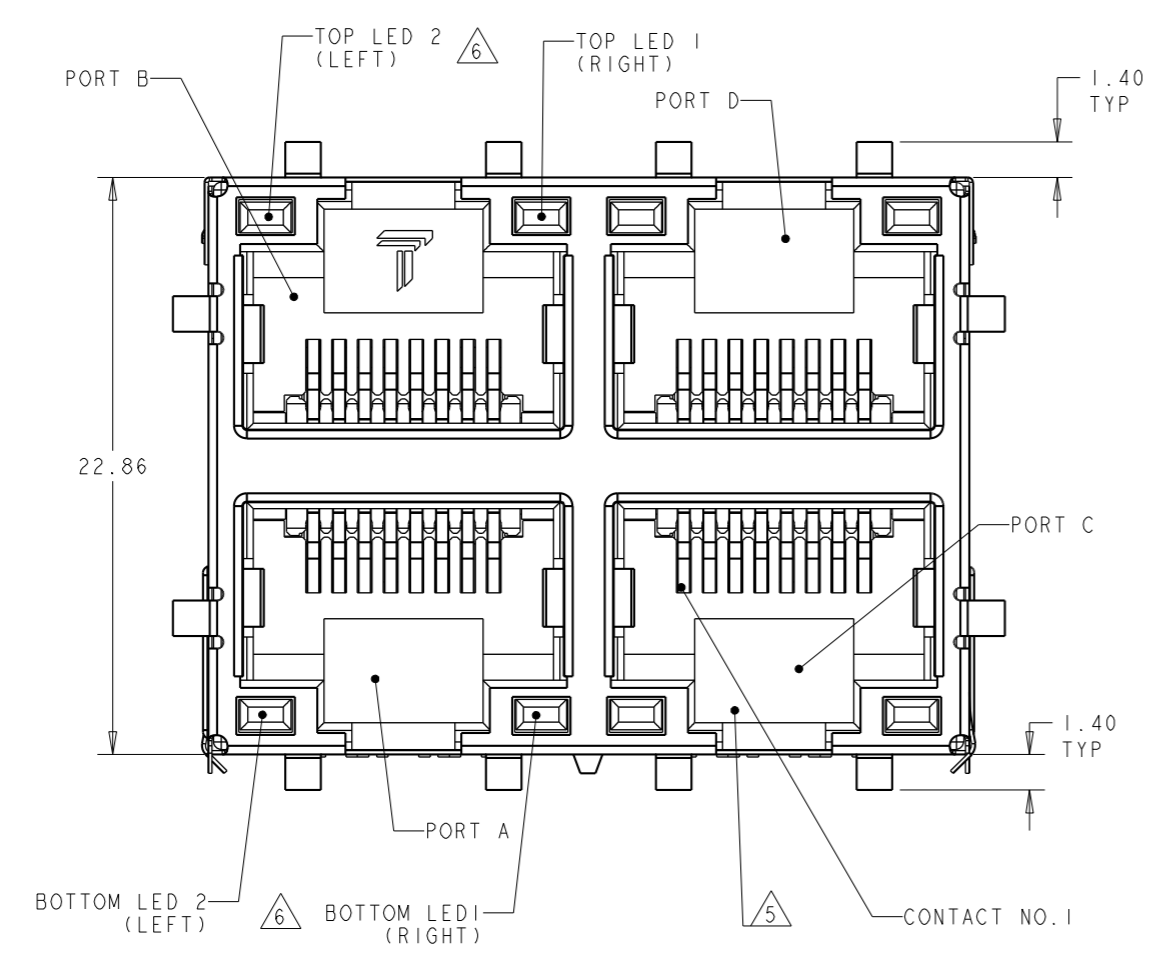
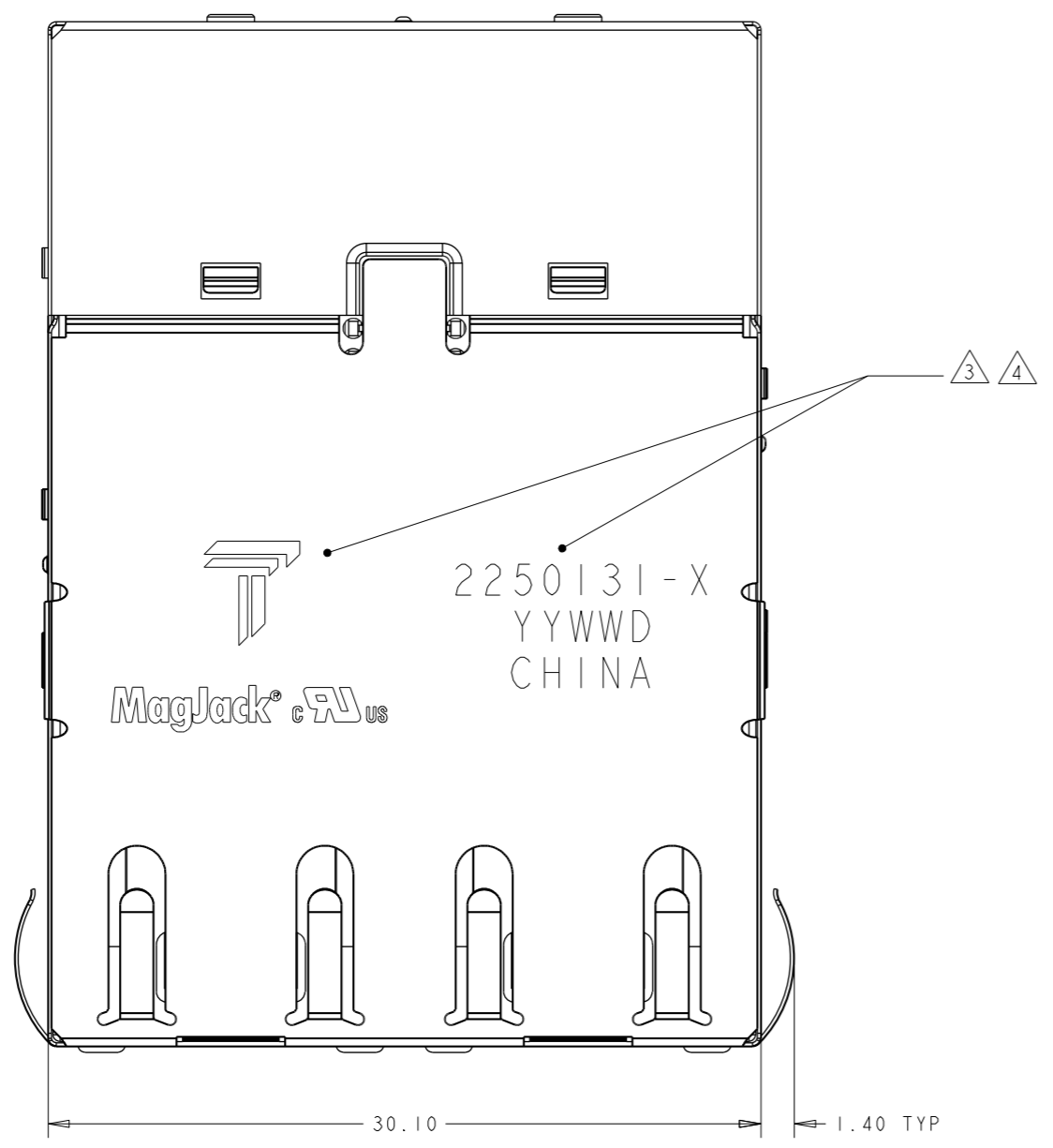
R1-R4 = 75ohms, 1/16 W, RESISTORS  
 C1-C4 = 22nF, 100V, CAPACITORS  
 C5 - C6 = 10nF, 50V, CAPACITOR  
 C7 = 1000pF, 2kV, DECOUPLING CAPACITOR  
 F1-F2 = 63V, 1.5A, FUSES

- 1 MATERIALS:
- HOUSING: THERMOPLASTIC, BLACK, FLAMMABILITY RATING UL 94V-0.
  - SHIELD: STAINLESS STEEL, 0.15mm THK, PREPLATED WITH 0.76um MINIMUM SEMI-BRIGHT NICKEL.
  - CONTACTS: PHOSPHOR BRONZE, PLATED WITH 1.27um MIN OVERALL NICKEL UNDERPLATE, SELECTIVE 1.27um MIN GOLD AT MATING INTERFACE AND 2.54um MIN MATTE TIN ON SOLDER TAILS.

- 2 MAGNETICS
- APPLICATION: 10/100/1000 BASE-T, PoE PLUS  
 IMPEDANCE: 100 OHMS  
 TURNS RATIO (CHIP:CABLE): 1:1 ALL FOUR PAIRS  
 OPEN CIRCUIT INDUCTANCE (OCL): ALL CHANNELS  
 350uH MIN @100kHz, 0.1VRMS WITH 8mADC BIAS FROM 0°C TO +70°C.  
 120uH MIN @100kHz, 0.1VRMS WITH 19mADC BIAS FROM 0°C TO +70°C,  
 ACROSS RJ1-RJ2 & RJ3-RJ6  
 ALL FOUR PAIRS BI-DIRECTIONAL  
 POE CURRENT: 600mADC MAX  
 PERFORMANCE @ 25°C:  
 INSERTION LOSS (IL): 1.1dB MAX FROM 0.5MHz TO 100MHz  
 RETURN LOSS (RL): 18dB MIN FROM 0.5MHz TO 40MHz  
 12-20LOG(f/80)dB MIN FROM 40.1MHz TO 100MHz  
 CROSSTALK ATTENUATION: 35dB MIN FROM 0.5MHz TO 40MHz  
 33-20LOG(f/50)dB MIN FROM 40.1MHz TO 100MHz  
 COMMON MODE REJECTION RATIO (CMRR): 30dB MIN FROM 0.5MHz TO 100MHz  
 ISOLATION VOLTAGE: 2250VDC(MAX) FOR 60 SECONDS WITH A RISE TIME OF 500V/SEC AND WITH ALL PORTS CONNECTED.

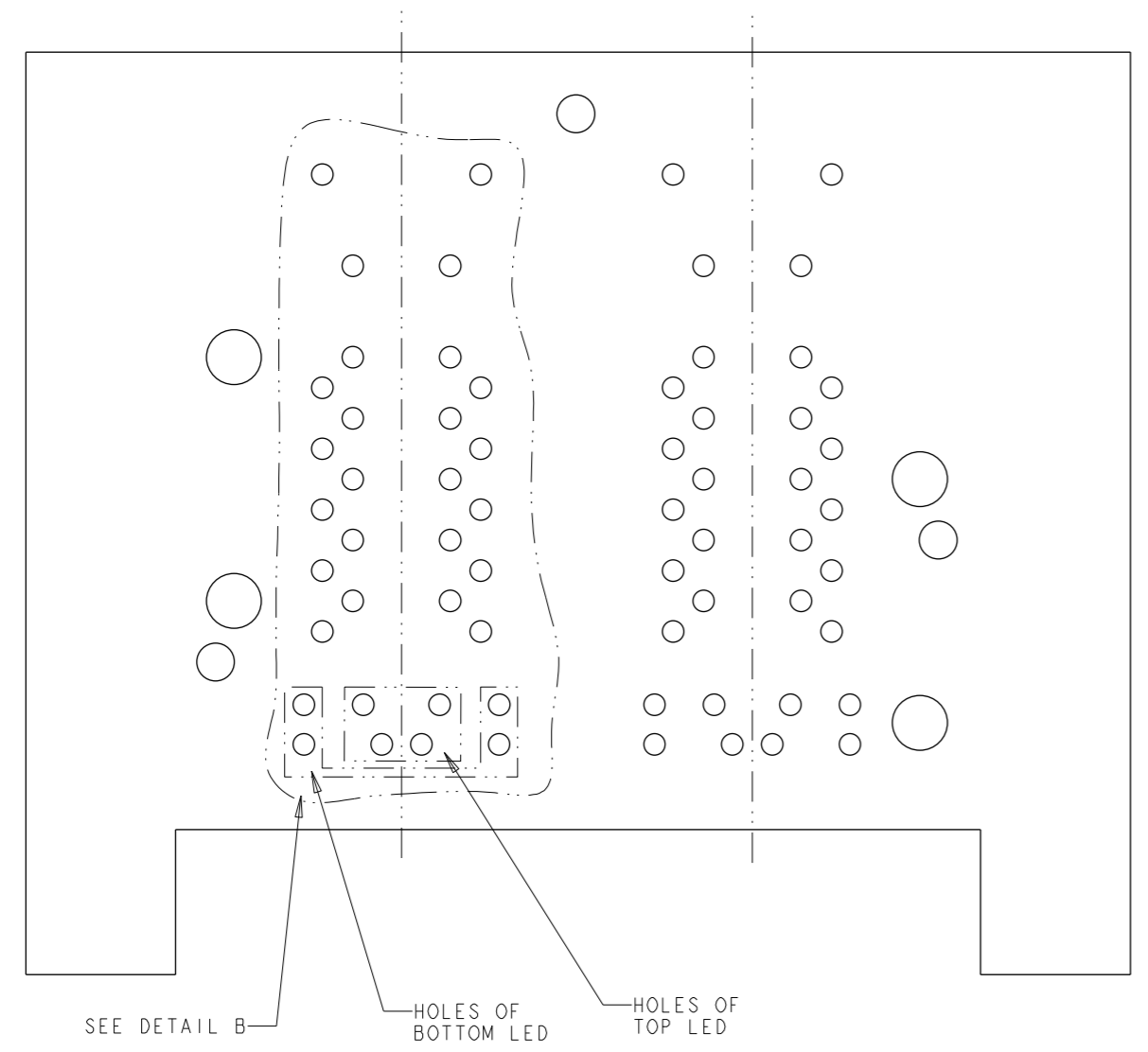
- 3 PART NUMBER, DATE CODE AND COUNTRY OF ORIGIN ARE LOCATED IN THE APPROXIMATE AREA SHOWN. DATE CODE YY IS YEAR, WW IS WORK WEEK, D IS DAY OF WEEK, WITH SUNDAY=1
- 4 TRP LOGO AND AGENCY APPROVAL LOGO ARE LOCATED IN THE APPROXIMATE AREA SHOWN.
- 5 RJ45 CAVITIES CONFORM TO FCC RULES AND REGULATION PART 68 SUBPART F.
- 6 LEDS ARE DRIVEN WITH CONSTANT CURRENT AT APPROX. 20mA.  
 DOMINANT WAVELENGTH (λD)  
 GREEN, 568nm TYP AT IF=20mA  
 YELLOW, 588nm TYP AT IF=20mA  
 FORWARD VOLTAGE(VF)  
 GREEN, 2.2V TYP AT IF=20mA  
 YELLOW, 2.1V TYP AT IF=20mA
- 7 INDICATED MAGNETIC CONNECTIONS ARE SYMMETRICAL AND SUPPORT AUTO-MDI/MDIX.
- 8 OPERATING TEMPERATURE: FROM 0 °C TO 70 °C
- 9 THE PARTS ARE RECOMMENDED FOR WAVE SOLDERING PROCESS, PEAK TEMPERATURE 260°C MAX, 10 SECONDS MAX. IT IS RECOMMENDED THAT THE CONNECTOR SHIELD AND BODY BE MASKED TO PROTECT IT FROM DIRECT EXPOSURE TO THE SOLDER WAVE TO AVOID DAMAGE TO THE CONNECTOR AND LEDS.

GREEN/YELLOW	GREEN/YELLOW	GREEN/YELLOW	GREEN/YELLOW	2250131-1
BOTTOM LED 2(LEFT)	BOTTOM LED 1(RIGHT)	TOP LED 2(LEFT)	TOP LED 1(RIGHT)	PART NUMBER
THIS DRAWING IS A CONTROLLED DOCUMENT.				
DIMENSIONS: mm		TOLERANCES UNLESS OTHERWISE SPECIFIED:		
		0 PLC	±0.25	
		1 PLC	±0.25	
		2 PLC	±0.25	
		3 PLC	±	
		4 PLC	±	
		ANGLES	±	
PRODUCT SPEC 108-104004		APPLICATION SPEC		
THIS DRAWING IS A CONTROLLED DOCUMENT. DWN: QUENTIN LIU/LI1111 29NOV2013 CHK: TONY YUAN 29NOV2013 APPV: TONY YUAN 29NOV2013		DONGGUAN CHINA		
MAGJACK		DESC: 2X2 S9HG153 GIGABIT PoE PLUS CIRCUIT, OFFSET, WITH LED		
STACK PoE PLUS		SIZE: A1	CAGE CODE: C=2250131	RESTRICTED TO
CUSTOMER DRAWING		SCALE: NTS	SHEET: 1 of 4	REV: 3

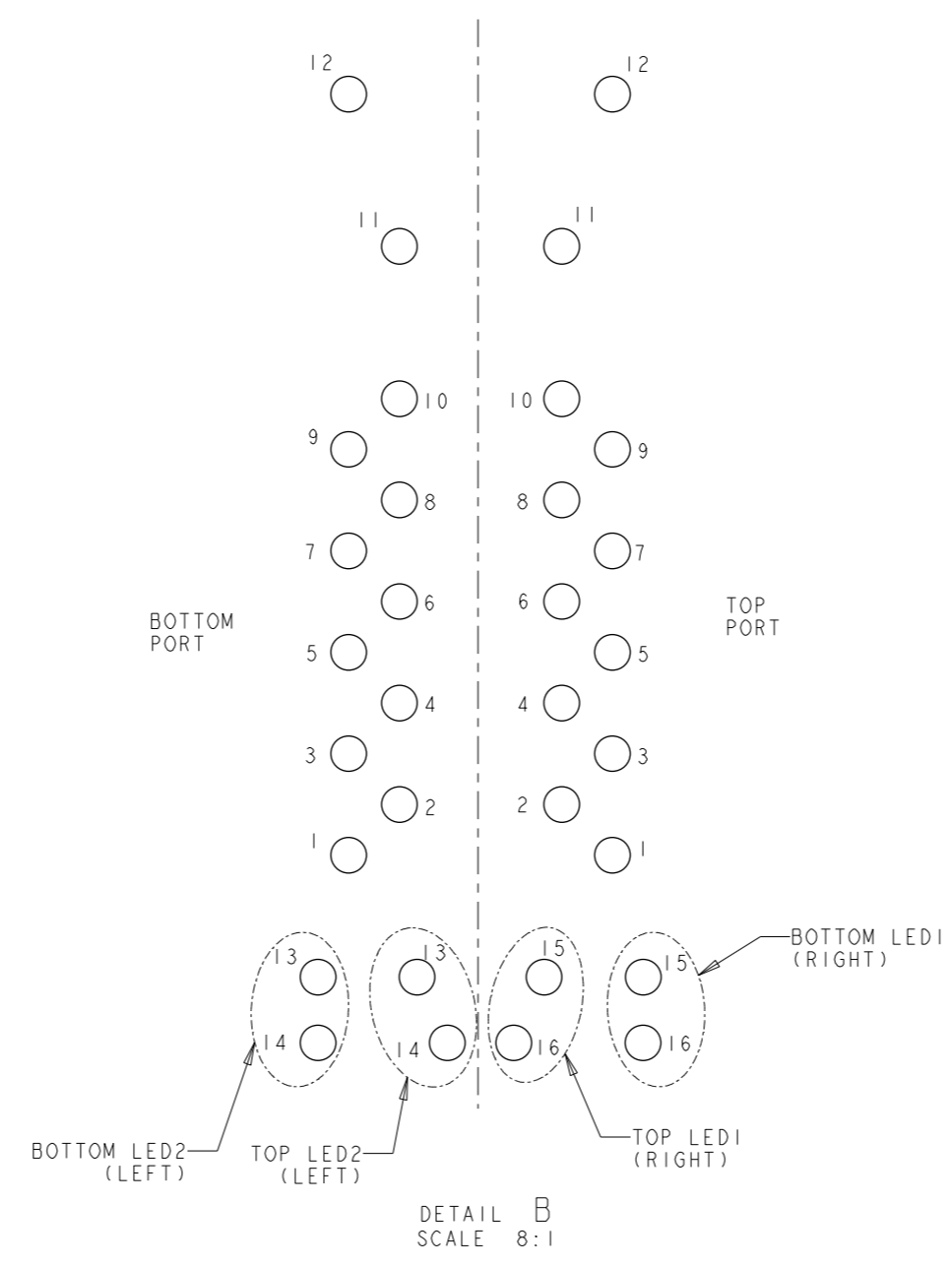
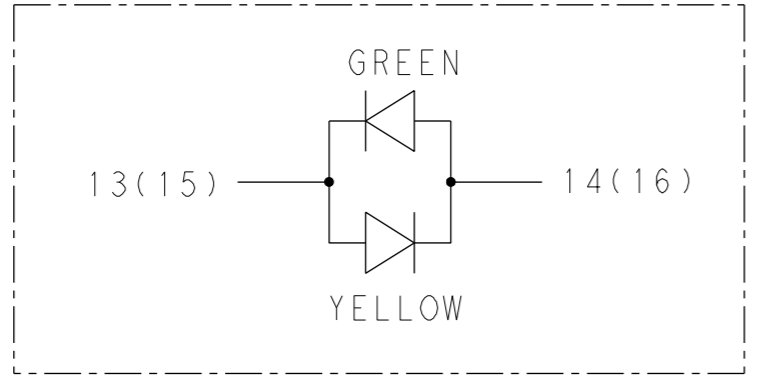


THIS DRAWING IS A CONTROLLED DOCUMENT.		DNW QUENTIN LIU/LIU11	29NOV2013		DONGGUAN CHINA
DIMENSIONS: mm		CHK TONY YUAN	29NOV2013		
TOLERANCES UNLESS OTHERWISE SPECIFIED:		APPD TONY YUAN	29NOV2013	DESC 2X2 S9HG153 GIGABIT PoE PLUS CIRCUIT, OFFSET, WITH LED	
	0 PLC ±0.25 1 PLC ±0.25 2 PLC ±0.25 3 PLC ± 4 PLC ±	MODEL NAME MAGJACK	SIZE A1	CAGE CODE C=2250131	RESTRICTED TO -
PRODUCT SPEC 108-104004	APPLICATION SPEC -	STACK PoE PLUS	CUSTOMER DRAWING	SCALE NTS	SHEET 2 OF 4 REV 3

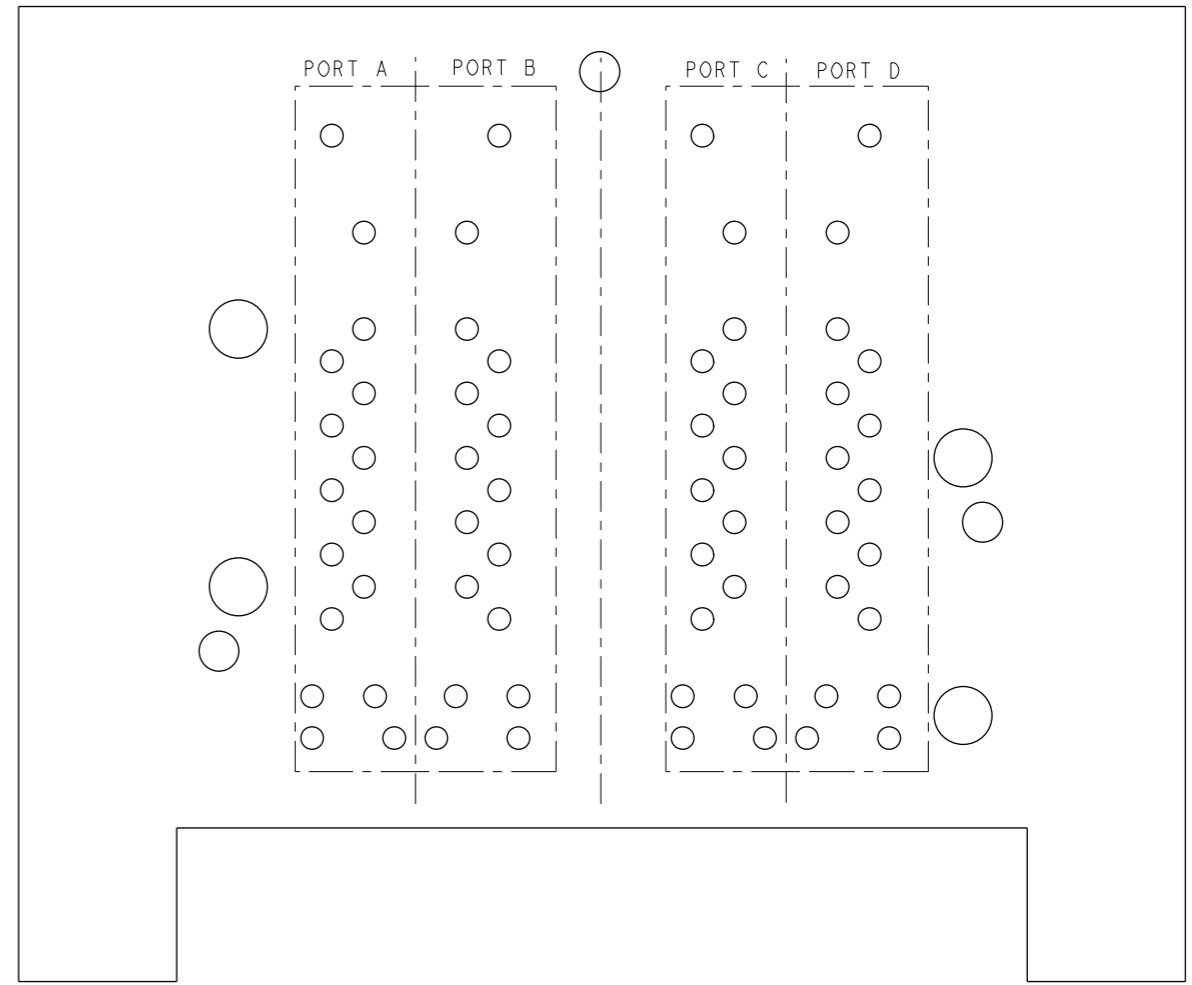





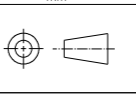
LED HOLE DESIGNATIONS VIEWED FROM COMPONENT SIDE



DETAIL B  
SCALE 8:1



PORT ASSIGNMENT  
COMPONENT SIDE VIEW

THIS DRAWING IS A CONTROLLED DOCUMENT.		DRW: QUENTIN LIU/LIU1111 29NOV2013	 <b>trp</b> CONNECTOR DONGGUAN CHINA
DIMENSIONS: mm		CHK: TONY YUAN 29NOV2013	
TOLERANCES UNLESS OTHERWISE SPECIFIED:		APPV: TONY YUAN 29NOV2013	DESC: 2X2 S9HG153 GIGABIT PoE PLUS CIRCUIT, OFFSET, WITH LED
	0 PLC ±0.25 1 PLC ±0.25 2 PLC ±0.25 3 PLC ± 4 PLC ± ANGLES ± APPLICATION SPEC ±	MODEL NAME: MAGJACK	SIZE: A1
PRODUCT SPEC: 108-104004	APPLICATION SPEC: -	STACK PoE PLUS	SCALE: NTS
CUSTOMER DRAWING		CAGE CODE: 2250131	RESTRICTED TO: -
		SHEET: 4	REV: 3