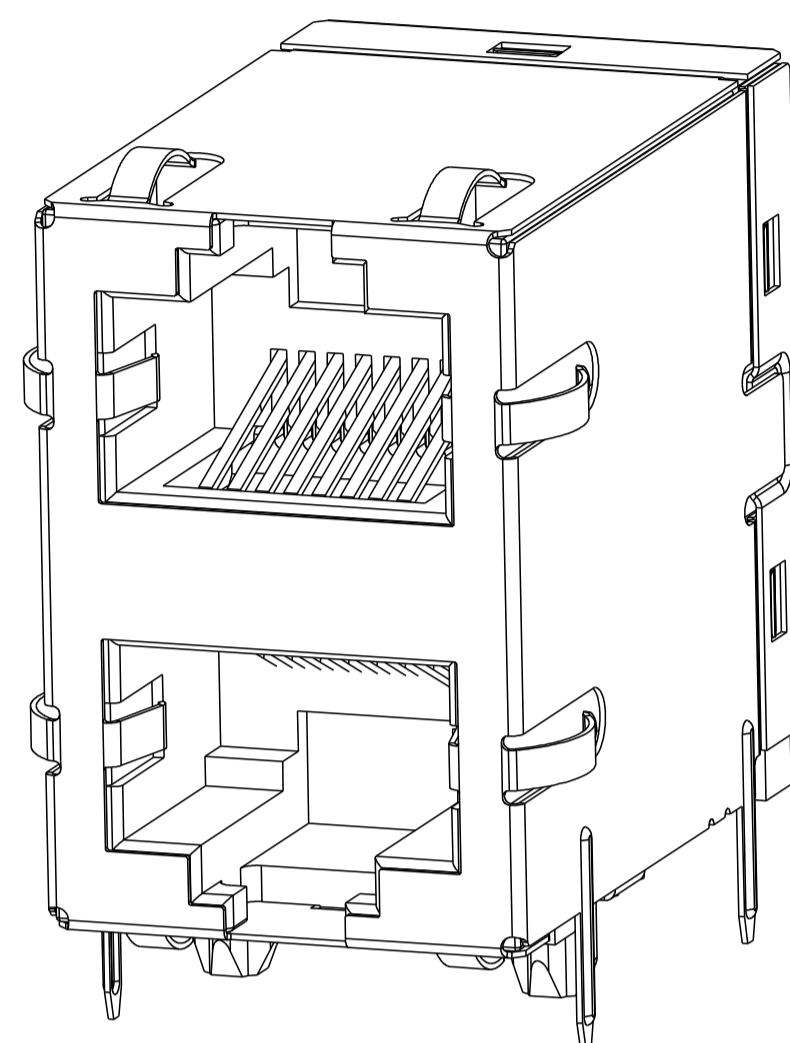


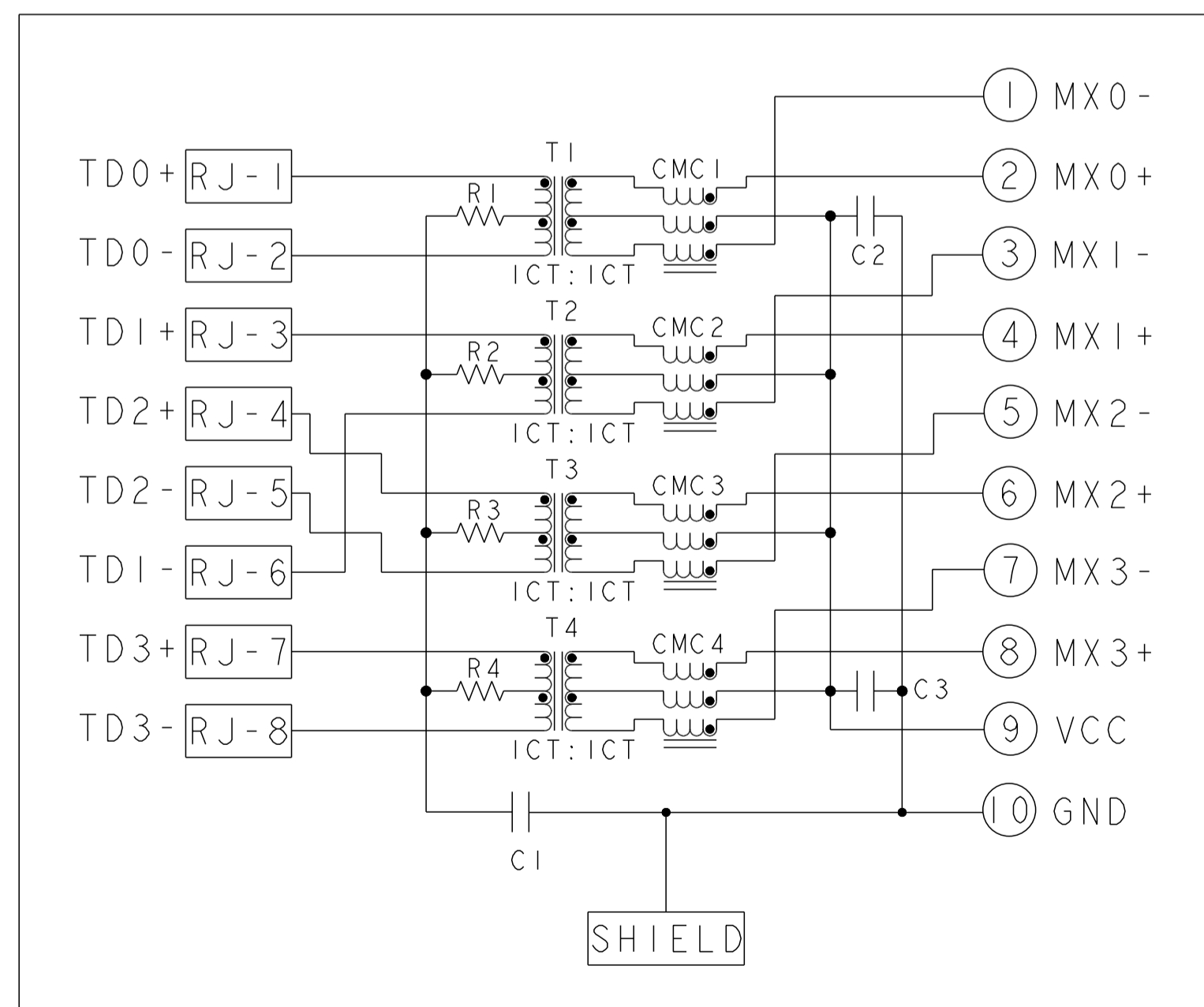
THIS DRAWING AND THE SUBJECT MATTER SHOWN THEREON ARE CONFIDENTIAL AND THE PROPERTY OF BEL/STEWART/TRP CONNECTOR AND SHALL NOT BE REPRODUCED, COPIED, OR USED IN ANY MANNER WITHOUT THE WRITTEN CONSENT OF TRP CONNECTOR.

PRODUCT MAY BE PROTECTED BY ONE OR MORE OF THE FOLLOWING US PATENTS:
 5736910 5939955 6425781 6428361 6554638 6840817 7123117
 7429195 7717749 7808751 6217391 6149050 7924130

REVISIONS				
P	LTR	DESCRIPTION	DATE	DRW APPD
2		EC-1411035 COMPANY LOGO CHANGE	18DEC2014	GZ TY



S8G56ET GIGABIT CIRCUIT ²₂
 TOP AND BOTTOM PORTS

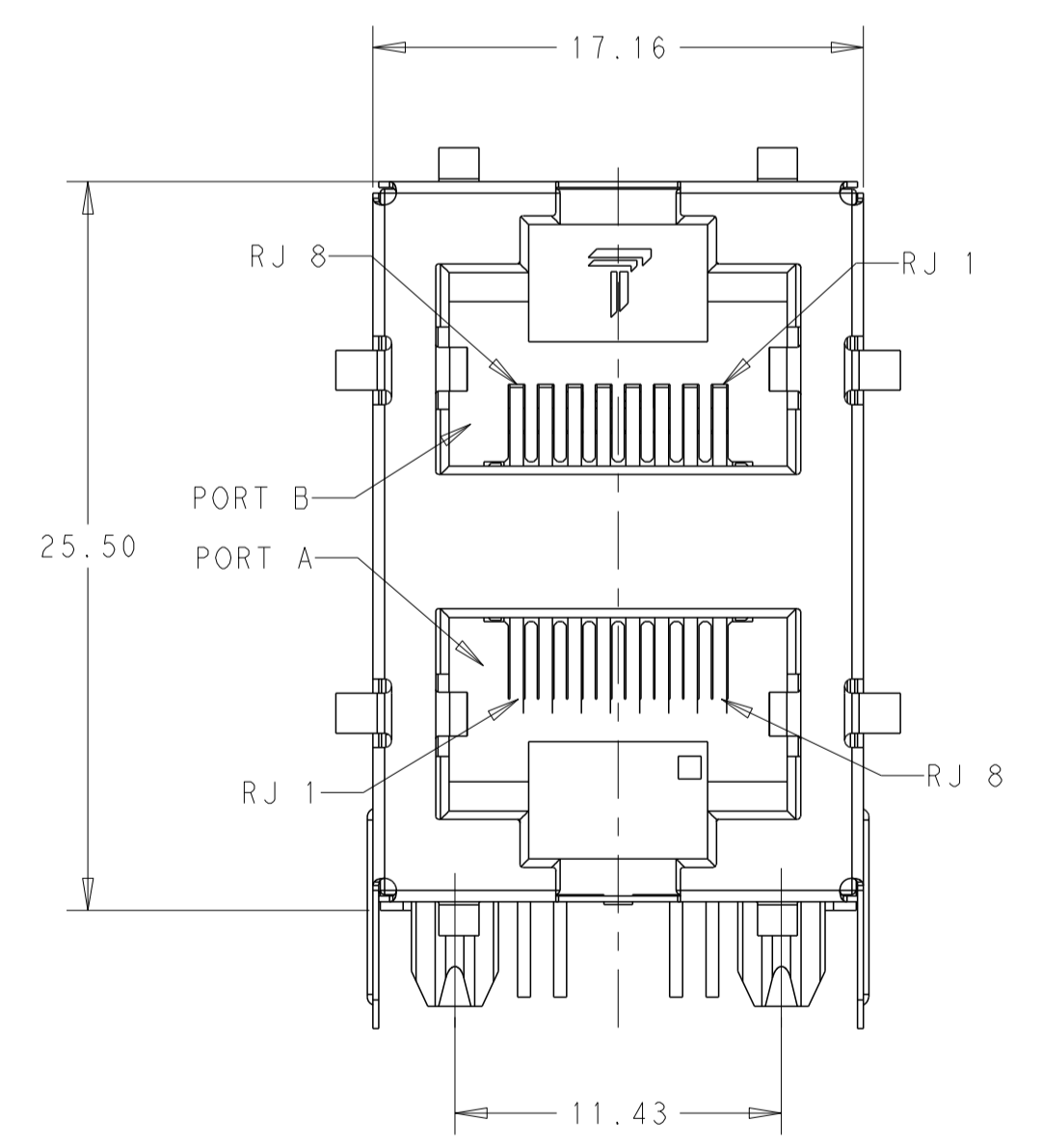
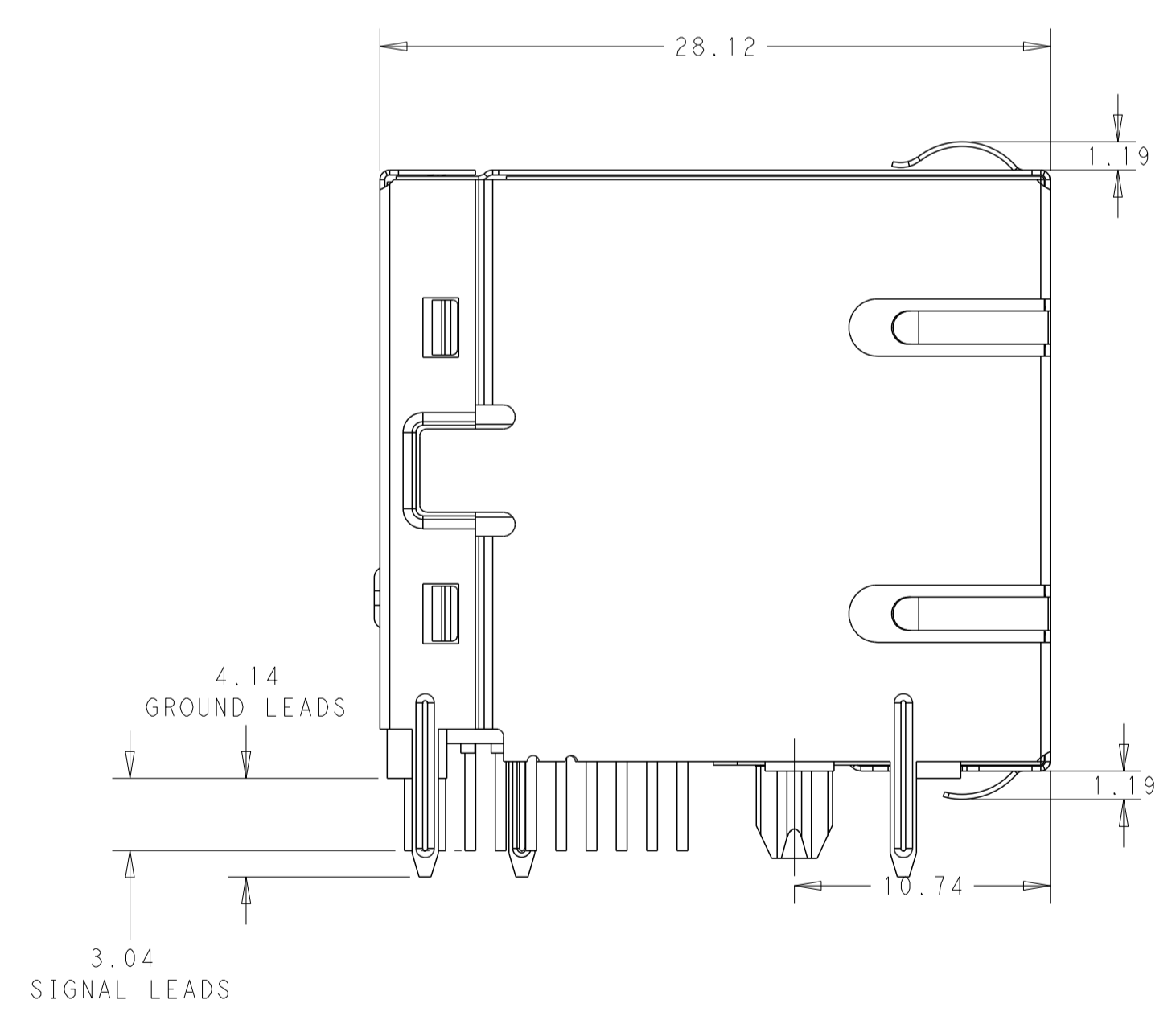
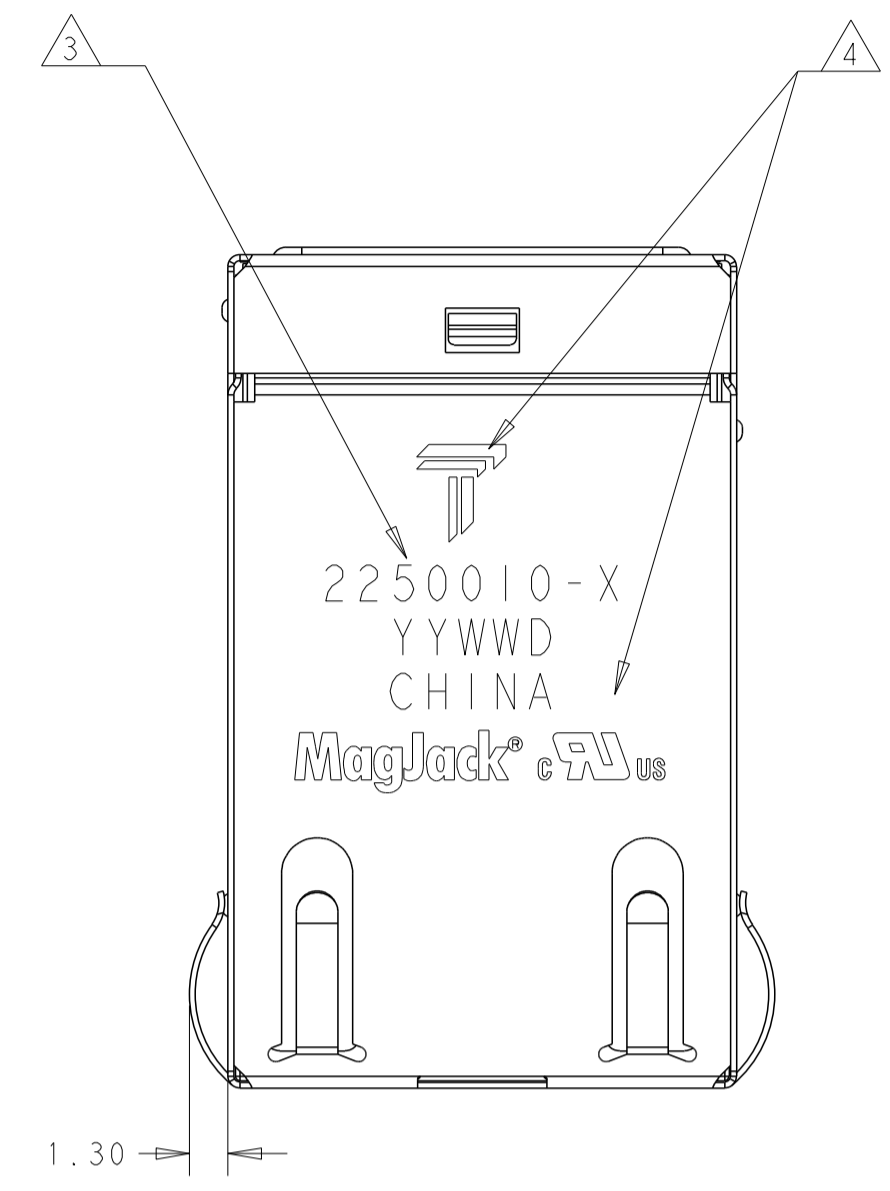


C1 = 1000pF, 2kV CAPACITOR
 C2 - C3 = 10nF, 50V CAPACITORS
 R1-R4 = 75 Ohms, 1/16 W, RESISTORS

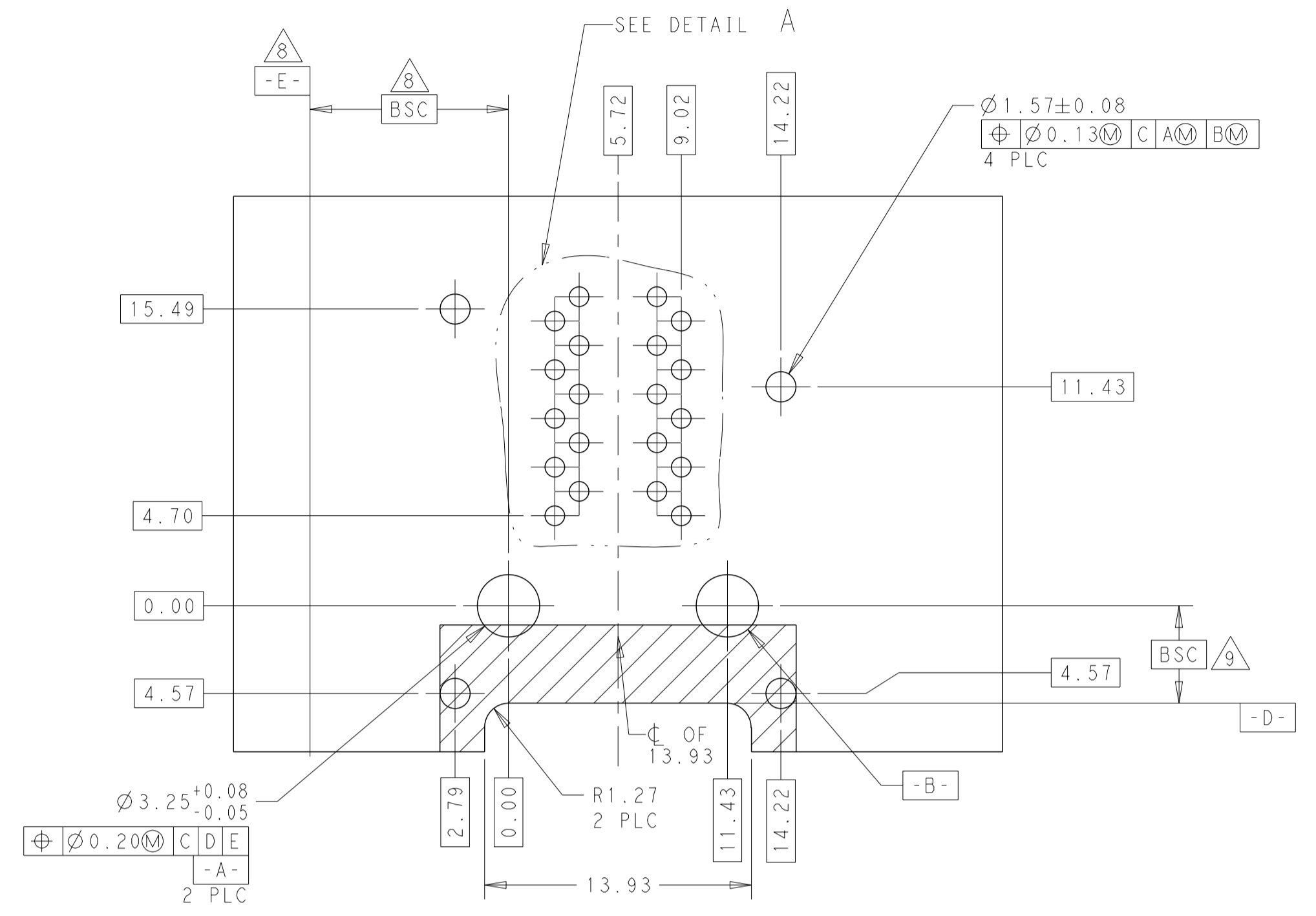
1. MATERIALS:
 PLASTIC HOUSING: BLACK, THERMOPLASTIC FLAMMABILITY RATING UL 94V-0
 SHIELD: BRASS, PREPLATED WITH 0.76um MIN SEMI-BRIGHT NICKEL,
 POST DIPPED WITH 2.54um MIN SAC SOLDER ON SOLDER TAILS,
 CONTACTS: PHOSPHOR BRONZE, 1.27um MIN OVERALL NICKEL UNDERPLATE,
 WITH SELECT 1.27 um GOLD OR WITH SELECT 0.05um MIN GOLD OVER 0.76um MIN
 PALLADIUM-NICKEL AT MATING INTERFACE AND 2.54um MIN MATTE TIN ON
 SOLDER TAILS.
2. MAGNETICS
 APPLICATION: 10/100/1000 BASE-T, EXTENDED TEMPERATURE
 IMPEDANCE: 100 OHMS
 TURNS RATIO (CHIP:CABLE): 1:1 ALL FOUR PAIRS
 OPEN CIRCUIT INDUCTANCE (OCL): 350uH MIN @100kHz, 0.1VRMS,
 8mADC BIAS FROM -40°C TO +85°C, ALL FOUR PAIRS
 ALL FOUR PAIRS BI-DIRECTIONAL
 PERFORMANCE @ 25°C:
 INSERTION LOSS (IL): 1.1dB MAX FROM 0.5MHz TO 100MHz
 RETURN LOSS (RL): 18dB MIN FROM 0.5MHz TO 40MHz
 12-20LOG(f/80)dB MIN FROM 40.1MHz TO 100MHz
 CROSSTALK ATTENUATION: 35dB MIN FROM 0.5MHz TO 40MHz
 33-20LOG(f/50)dB MIN FROM 40.1MHz TO 100MHz
 COMMON MODE REJECTION RATIO (CMRR): 30dB MIN FROM 0.5MHz TO 100MHz
 ISOLATION VOLTAGE: 2250VDC (MAX) FOR 60 SECONDS WITH A RISE TIME OF 500V/SEC AND
 WITH ALL PORTS CONNECTED
3. PART NUMBER, DATE CODE AND COUNTRY OF ORIGIN ARE LOCATED
 IN APPROXIMATE AREA SHOWN. DATE CODE: "YY" IS YEAR, "WW" IS
 WORK WEEK, "D" IS DAY OF WEEK, WITH SUNDAY=1
4. TRP LOGO AND AGENCY APPROVAL LOGO ARE
 LOCATED IN APPROXIMATE AREA SHOWN.
5. OPERATING TEMP: FROM -40°C TO +85°C.
6. RJ45 CAVITY CONFORMS TO FCC RULES AND REGULATION PART 68 SUBPART F.
7. INDICATED MAGNETIC CONNECTIONS ARE SYMMETRICAL AND
 SUPPORT AUTO-MDI/MDIX.
8. DATUM AND BASIC DIMENSION ESTABLISHED BY CUSTOMER.
9. BASIC DIMENSION ESTABLISHED BY CUSTOMER, BUT MAY NOT BE
 GREATER THAN 5.08mm.
10. THE PARTS ARE RECOMMENDED FOR WAVE SOLDERING PROCESS,
 PEAK TEMPERATURE 260°C MAX, 10 SECONDS MAX.

2250010-1
 PART
 NUMBER

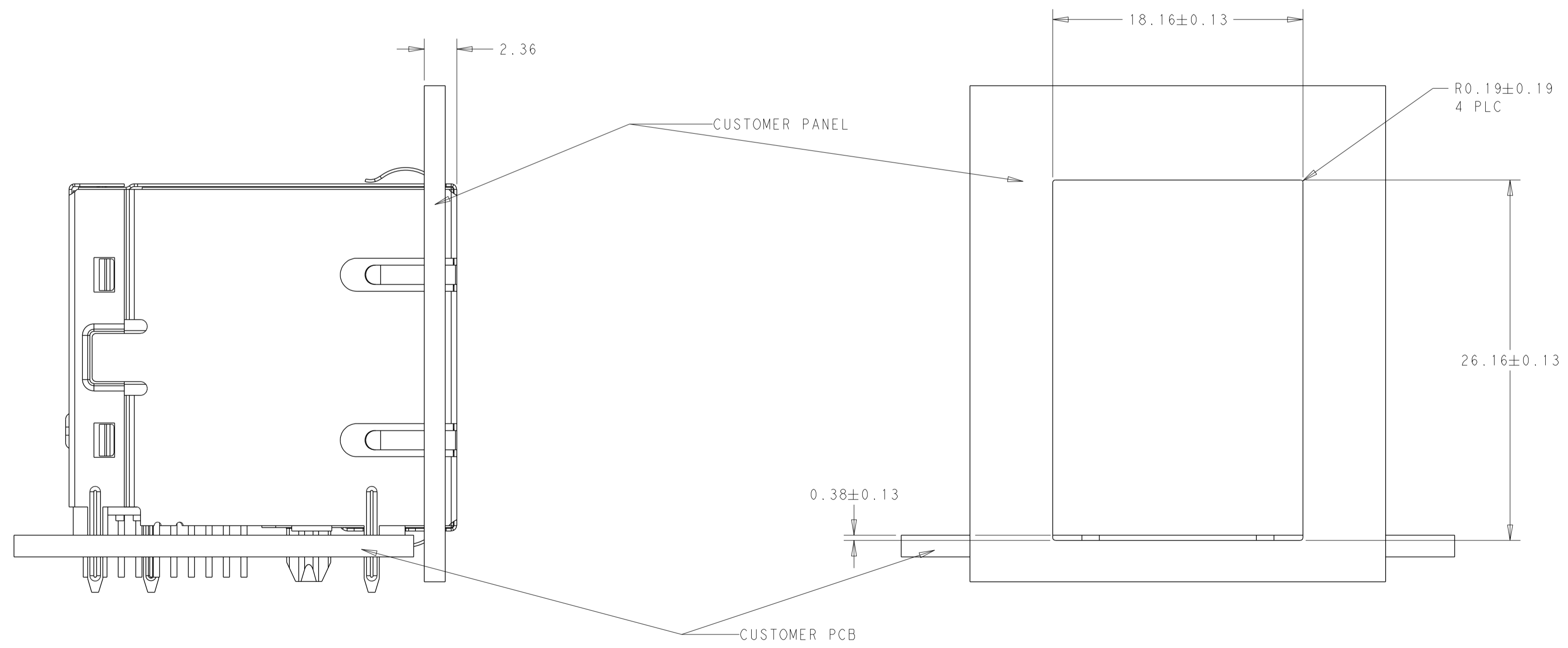
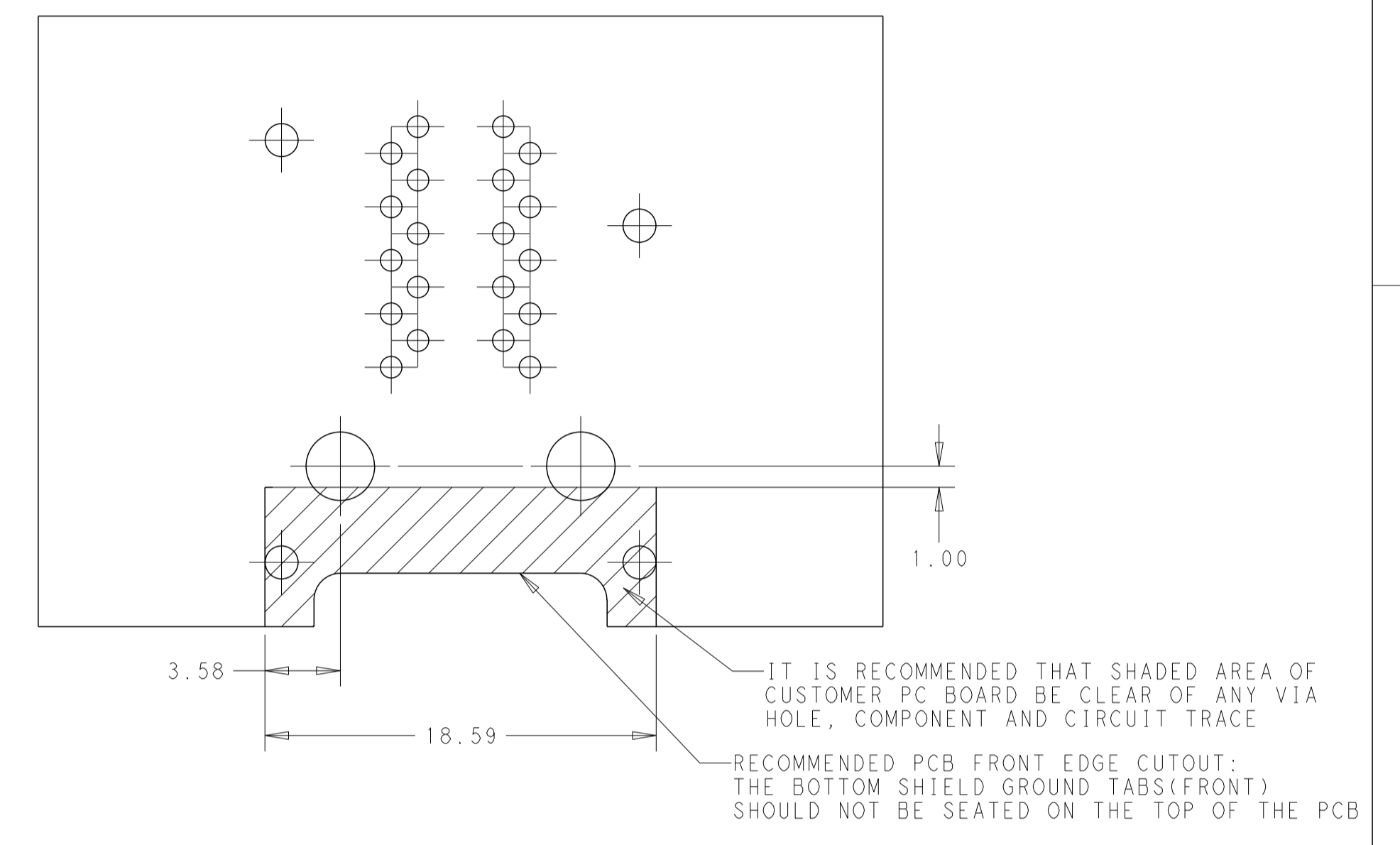
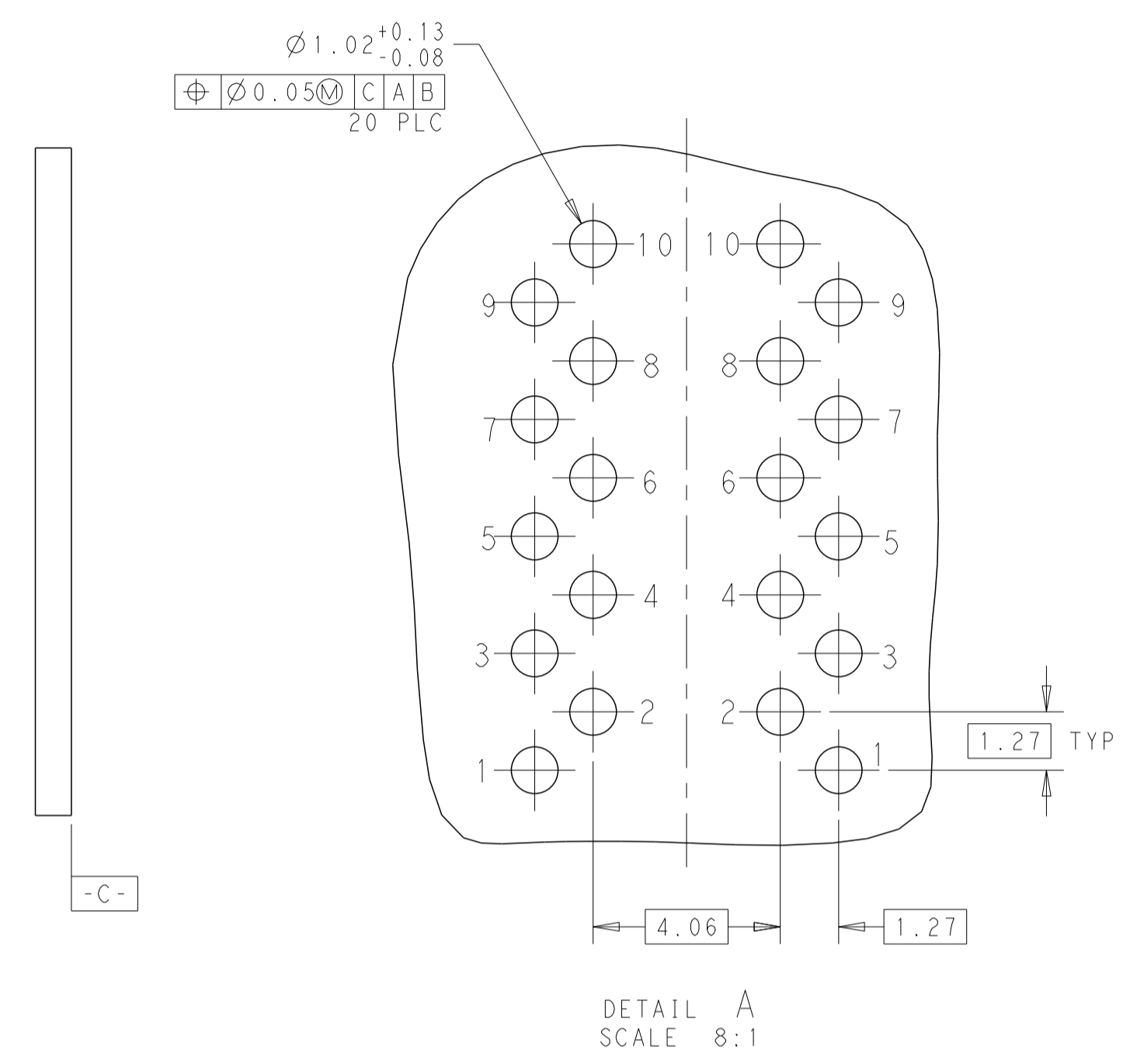
THIS DRAWING IS A CONTROLLED DOCUMENT.		DRW: TOMMY REN/ 07MAY2013	 trp CONNECTOR a bel group DONGGUAN CHINA
DIMENSIONS: mm		CHK: TONY YUAN 07MAY2013	
TOLERANCES UNLESS OTHERWISE SPECIFIED:		APVD: KEITH ZHU 07MAY2013	DESC: 2X1 S8G56ET GIGABIT W/O LED
0 PLC ±0.25	1 PLC ±0.25	2 PLC ±0.25	SIZE: A1
3 PLC ±	4 PLC ±	ANGLES ±	CAGE CODE: C=2250010
PRODUCT SPEC: 108-104004	APPLICATION SPEC: -	CUSTOMER DRAWING	SCALE: 4:1 SHEET 1 OF 3 REV 2



THIS DRAWING IS A CONTROLLED DOCUMENT.		DWY: TOMMY REN / TERRY LIN 07MAY2013 CHK: TONY YUAN 07MAY2013 APVD: KEITH ZHU 07MAY2013	trp CONNECTOR a bel group DONGGUAN CHINA
DIMENSIONS: mm	TOLERANCES UNLESS OTHERWISE SPECIFIED: 0 PLC ±0.25 1 PLC ±0.25 2 PLC ±0.25 3 PLC ± 4 PLC ± ANGLES ± APPLICATION SPEC ±	MODEL NAME MAGJACK STACK Non-PoE	
PRODUCT SPEC 108-104004		SIZE A1	CAGE CODE C=2250010
CUSTOMER DRAWING		SCALE 4:1	SHEET 2 OF 3 REV 2

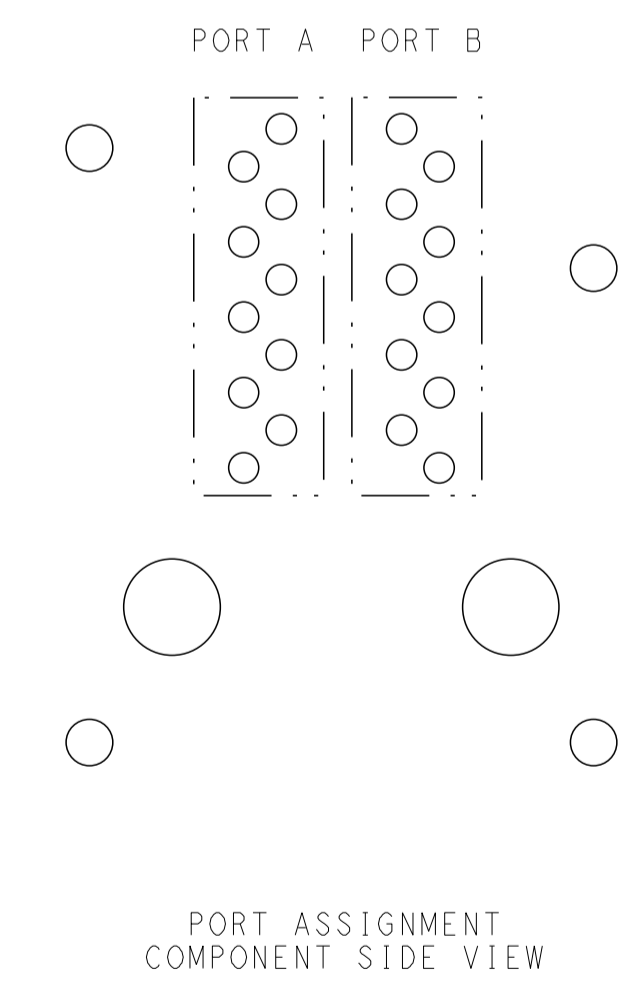


RECOMMENDED PCB LAYOUT (TOL: ±0.08)
COMPONENT SIDE VIEW



SHOWN WITH PANEL AND CUSTOMER PCB ASSEMBLY

SUGGESTED PANEL CUTOUT DIMENSIONS (TOL: ±0.10)



THIS DRAWING IS A CONTROLLED DOCUMENT.		DW: TOMMY REN / 07MAY2013		DONGGUAN CHINA	
DIMENSIONS: mm		CHK: TONY YUAN / 07MAY2013			
TOLERANCES UNLESS OTHERWISE SPECIFIED:		APD: KEITH ZHU / 07MAY2013		DESC: 2X1 S8G56ET GIGABIT W/O LED	
0 PLC ±0.25 1 PLC ±0.25 2 PLC ±0.25 3 PLC ±0.25 4 PLC ±0.25 ANGLES ±°		MODEL NAME: MAGJACK		SIZE: A1	
PRODUCT SPEC: 108-104004		APPLICATION SPEC: -		DRAWING NO: C=2250010	
		CUSTOMER DRAWING		RESTRICTED TO: -	
				SCALE: 4:1 SHEET 3 OF 3 REV 2	