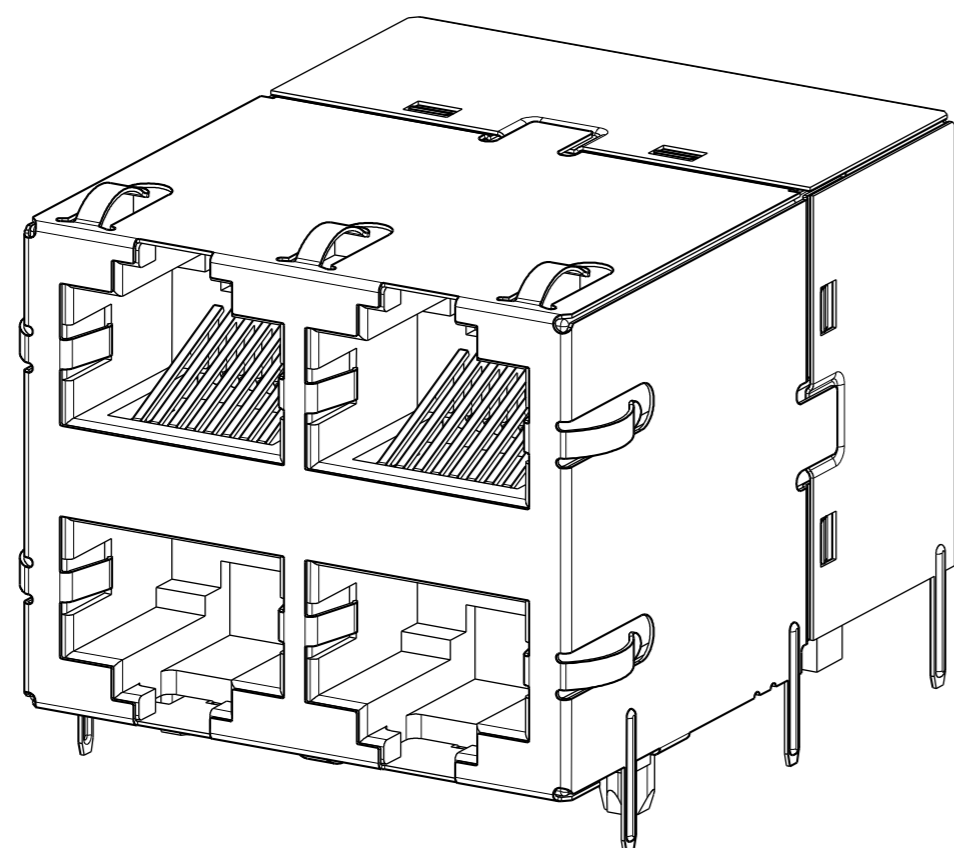


THIS DRAWING AND THE SUBJECT MATTER SHOWN THEREON ARE CONFIDENTIAL AND THE PROPERTY OF BEL/STEWART/TRP CONNECTOR AND SHALL NOT BE REPRODUCED, COPIED, OR USED IN ANY MANNER WITHOUT THE WRITTEN CONSENT OF TRP CONNECTOR.

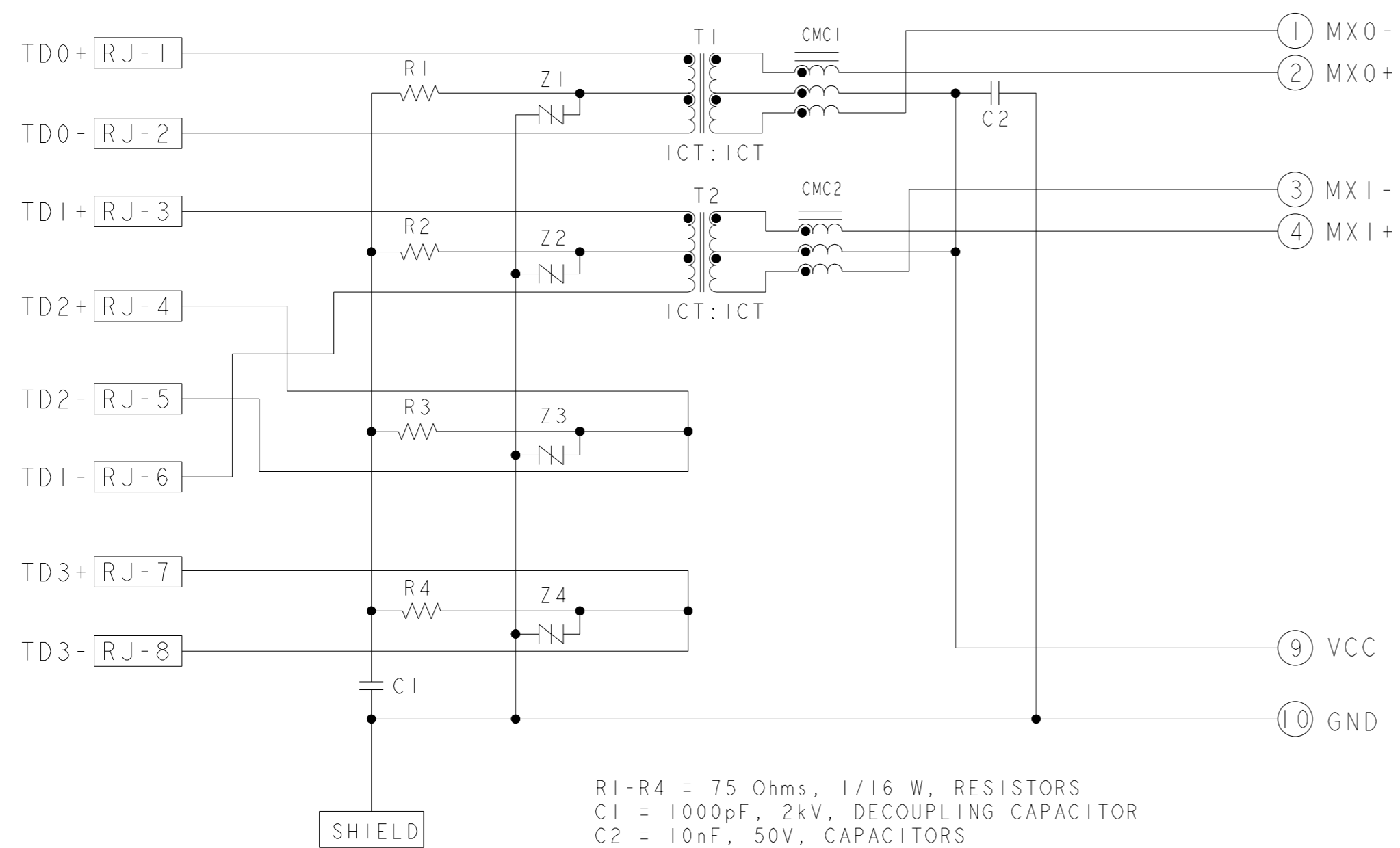
PRODUCT MAY BE PROTECTED BY ONE OR MORE OF THE FOLLOWING US PATENTS:
 5736910 5939955 6425781 6428361 6554638 6840817 7123117
 7429195 7717749 7808751 6217391 6149050 7924130

REVISIONS				
P	LYR	DESCRIPTION	DATE	APPD
5		EC-1411035 COMPANY LOGO CHANGE	05JAN2015	RL TY



S8133DET 10/100 CIRCUIT
 TOP AND BOTTOM PORTS

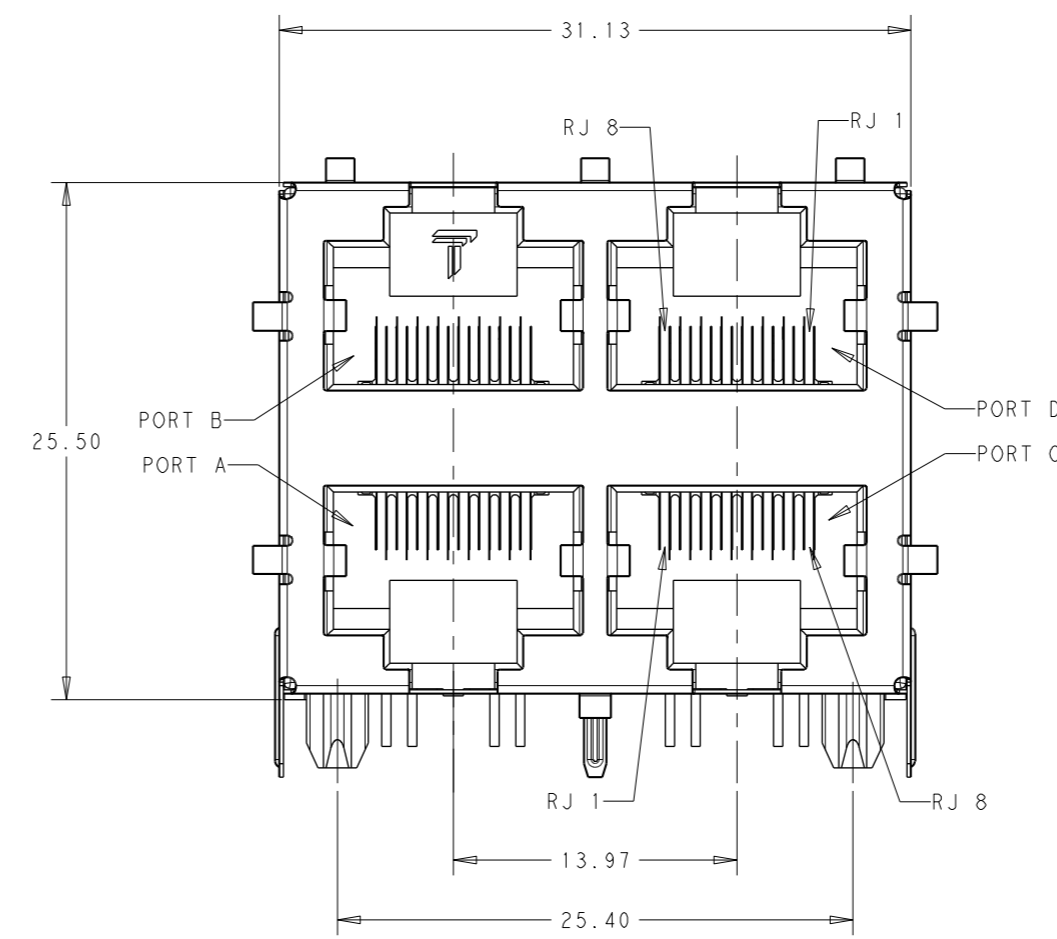
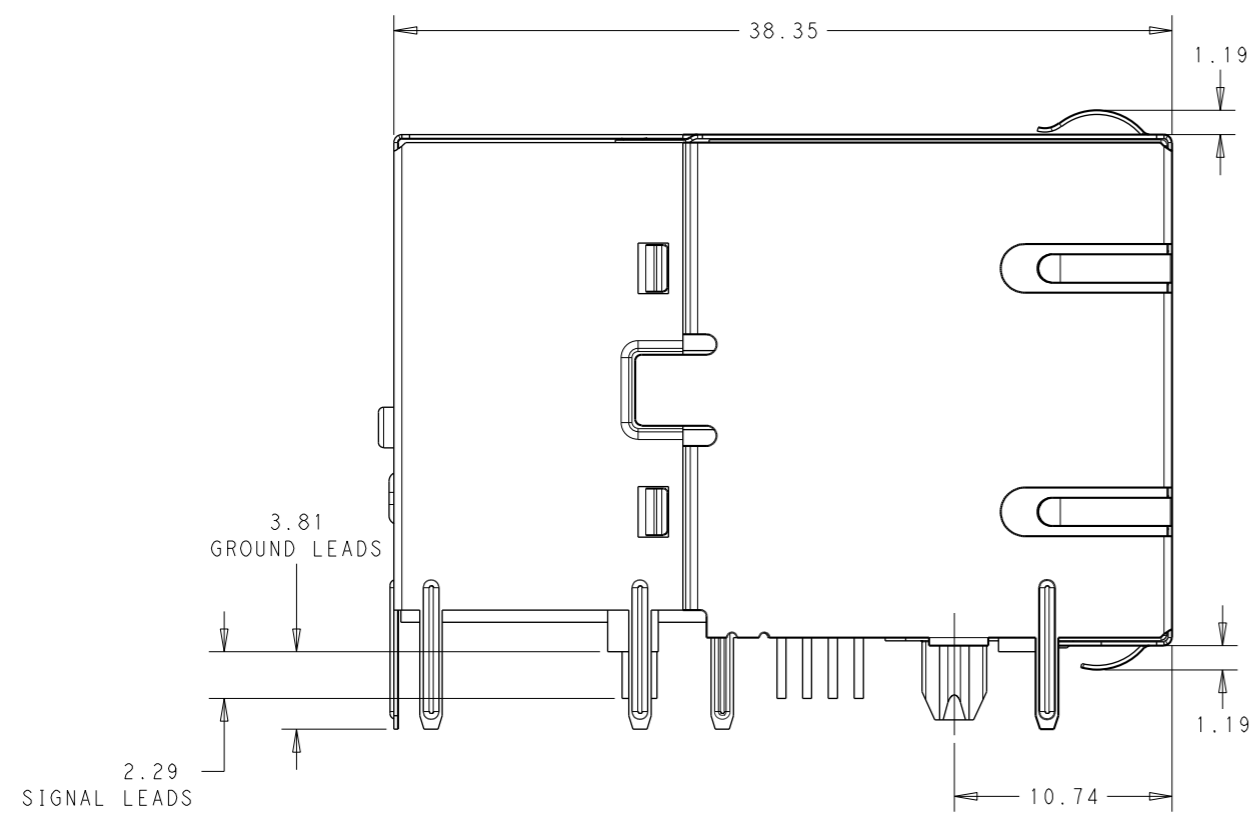
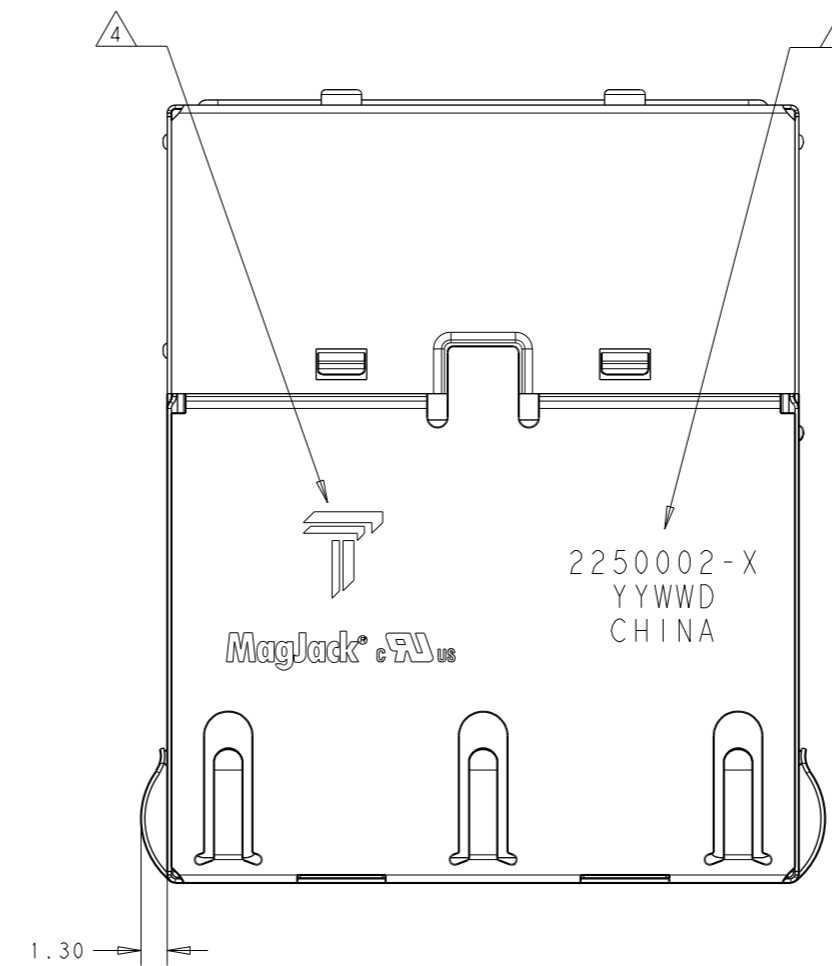
- MATERIALS:
 PLASTIC HOUSING: BLACK, THERMOPLASTIC FLAMMABILITY RATING UL 94V-0
 SHIELD: BRASS, PREPLATED WITH 0.76um MIN SEMI-BRIGHT NICKEL,
 POST DIPPED WITH 2.54um MIN SAC SOLDER OR PURE TIN SOLDER DIP
 ON SOLDER TAILS.
 CONTACTS: PHOSPHOR BRONZE, 1.27um MIN OVERALL NICKEL
 UNDERPLATE WITH SELECT 1.27um MIN GOLD OR WITH SELECT 0.05um MIN
 GOLD OVER 0.76um MIN PALLADIUM-NICKEL AT MATING INTERFACE AND
 2.54um MIN MATTE TIN ON SOLDER TAILS.
- MAGNETICS
 APPLICATION: 10/100 BASE-T
 IMPEDANCE: 100 OHMS
 TURNS RATIO (CHIP:CABLE): TX = 1:1, RX = 1:1
 OPEN CIRCUIT INDUCTANCE (OCL): 350uH MIN @100kHz, 0.1VRMS,
 8mADC BIAS FROM -40°C TO 85°C, TX AND RX
 PERFORMANCE @ 25°C:
 INSERTION LOSS (IL): 1.1dB MAX FROM 0.5MHz TO 100MHz
 RETURN LOSS (RL): 18dB MIN FROM 0.5MHz TO 30MHz
 18-20LOG(f/30)dB MIN FROM 30.1MHz TO 60MHz
 12dB MIN FROM 60.1MHz TO 80MHz
 CROSSTALK ATTENUATION: 35dB MIN FROM 0.5MHz TO 40MHz
 33-20LOG(f/50)dB MIN FROM 40.1MHz TO 100MHz
 COMMON MODE REJECTION RATIO (CMRR): 30dB MIN FROM 0.5MHz TO 100MHz
- PART NUMBER, DATE CODE AND COUNTRY OF ORIGIN ARE
 LOCATED IN APPROXIMATE AREA SHOWN.
 DATE CODE: YYWW WHERE "YY" IS YEAR, "WW" IS WORK WEEK, "D" IS DAY
 OF WEEK, WITH SUNDAY = 1
- TRP CONNECTOR LOGO AND AGENCY APPROVAL LOGO ARE
 LOCATED IN APPROXIMATE AREA SHOWN.
- OPERATING TEMP: FROM -40°C TO 85°C.
- RJ45 CAVITY CONFORMS TO FCC RULES AND REGULATION PART 68 SUBPART F.
- INDICATED MAGNETIC CONNECTIONS ARE SYMMETRICAL AND
 SUPPORT AUTO-MDI/MDIX.
- DATUM AND BASIC DIMENSION ESTABLISHED BY CUSTOMER.
- BASIC DIMENSION ESTABLISHED BY CUSTOMER, BUT MAY NOT BE
 GREATER THAN 5.08mm.
- THE PARTS ARE RECOMMENDED FOR WAVE SOLDERING PROCESS,
 PEAK TEMPERATURE 260°C MAX, 10 SECONDS MAX.


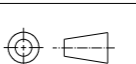


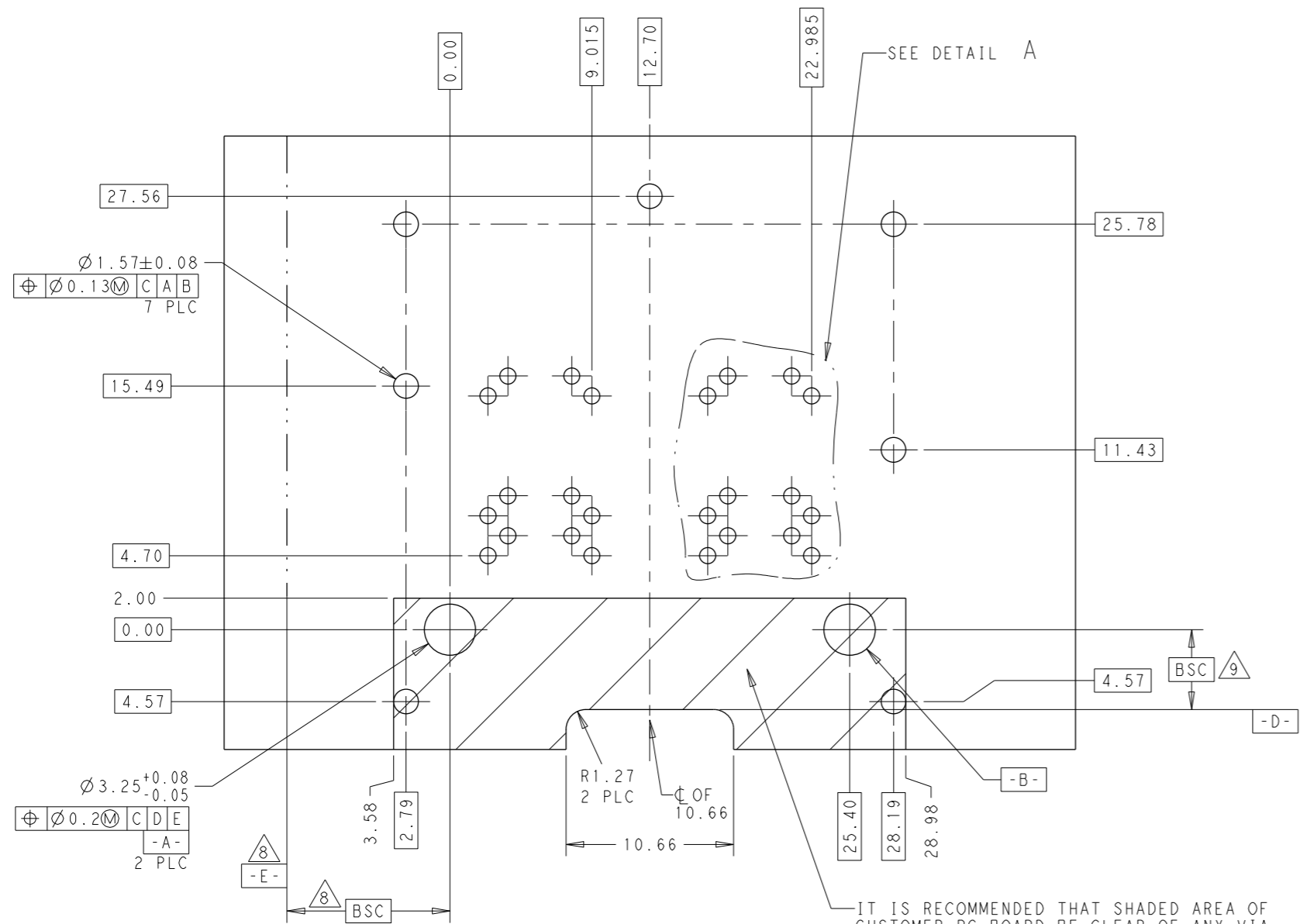
R1-R4 = 75 Ohms, 1/16 W, RESISTORS
 C1 = 1000pF, 2kV, DECOUPLING CAPACITOR
 C2 = 10nF, 50V, CAPACITORS
 Z1-Z4 = 65V Vdrn, 88V Vs SIDACTOR

2250002-1
 PART NUMBER

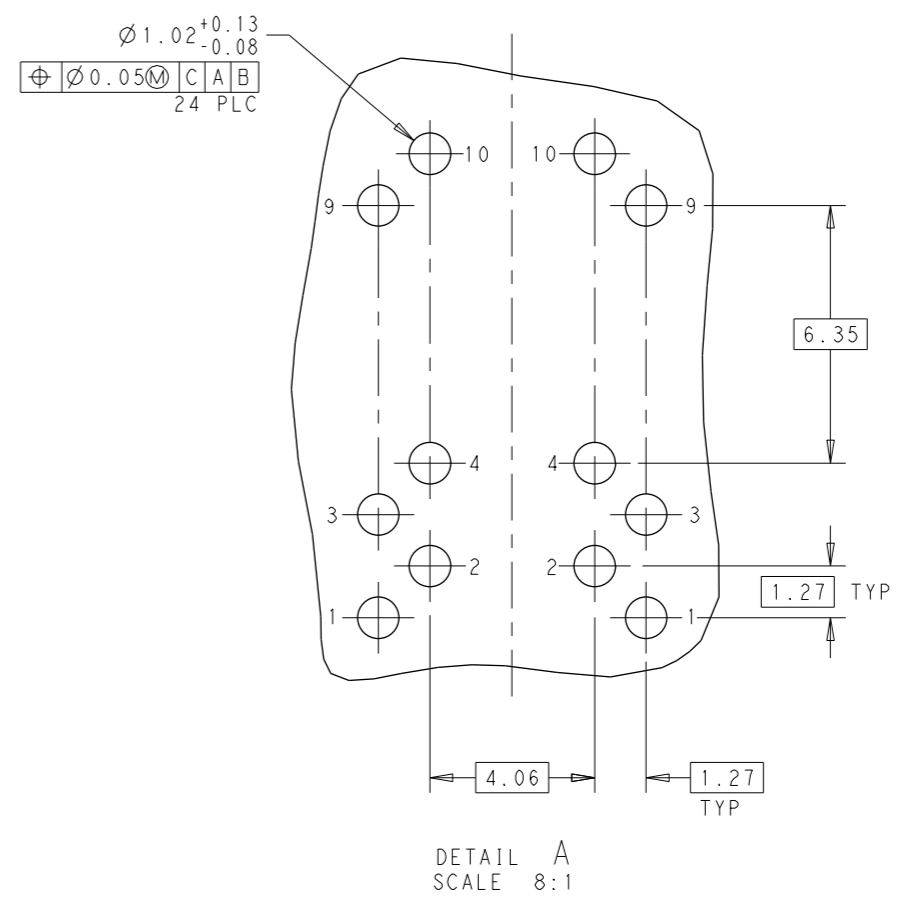
THIS DRAWING IS A CONTROLLED DOCUMENT.		OWN: RICK LI/TERRY LIN 27MAR2013	TRP CONNECTOR a bel group DONGGUAN CHINA
DIMENSIONS: mm		CHK: TOMMY REN 27MAR2013	
TOLERANCES UNLESS OTHERWISE SPECIFIED: 0 PLC ±0.25 1 PLC ±0.25 2 PLC ±0.25 3 PLC ± 4 PLC ± ANGLES ± APPLICATION SPEC ±		APPD: KEITH ZHU 27MAR2013	
PRODUCT SPEC APPLICATION SPEC		MODEL NAME: MAGJACK	DESC: 2X2, 10/100 S8133DET CIRCUIT
		SIZE: A1	RESTRICTED TO: -
		SCALE: NTS	SHEET 1 OF 3
		REV: 5	



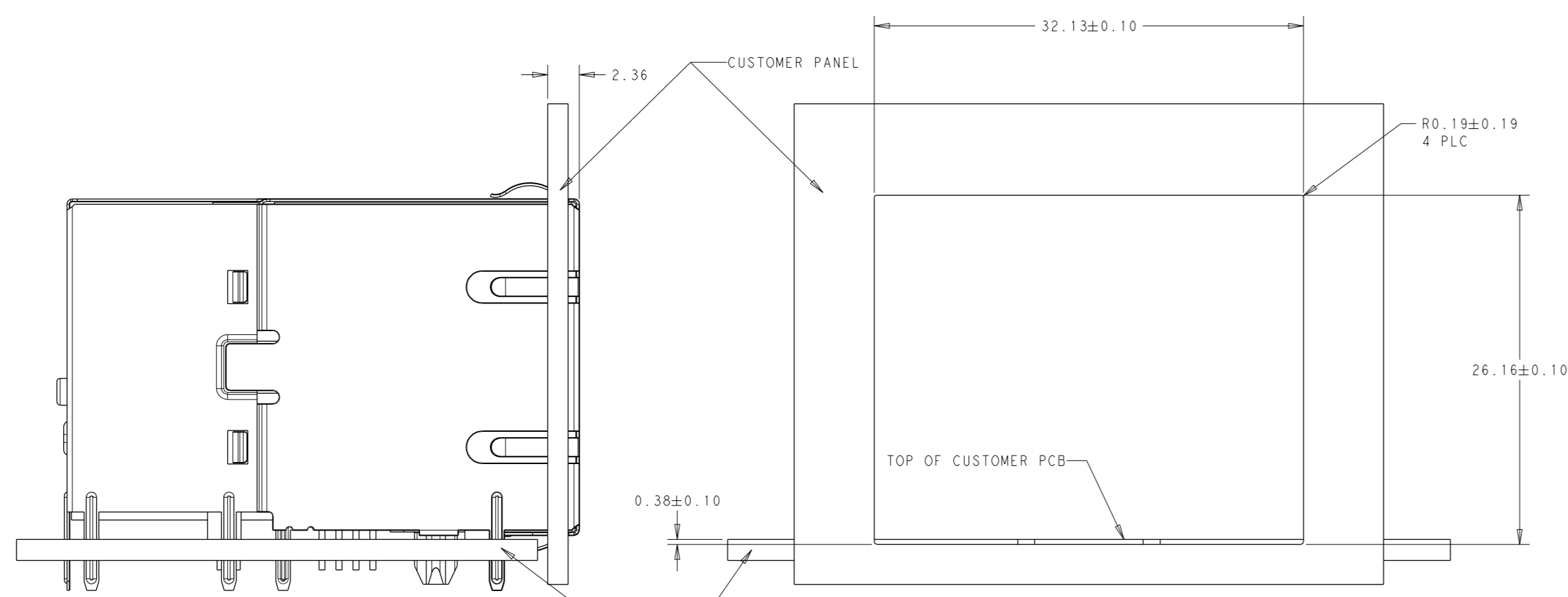
THIS DRAWING IS A CONTROLLED DOCUMENT.		DNW RICK LI/TERRY 1 IN 27MAR2013	 trp CONNECTOR a bel group DONGGUAN CHINA
DIMENSIONS: mm		CHK TOMMY REN 27MAR2013	
TOLERANCES UNLESS OTHERWISE SPECIFIED:		APPR KEITH ZHU 27MAR2013	
 0 PLC ±0.25 1 PLC ±0.25 2 PLC ±0.25 3 PLC ± 4 PLC ± ANGLES ± APPLICATION SPEC ±	MODEL NAME MAGJACK	DESC 2X2, 10/100 S8133DET CIRCUIT	
PRODUCT SPEC	APPLICATION SPEC	SIZE A1	CAGE CODE C=2250002 DRAWING NO - RESTRICTED TO -
CUSTOMER DRAWING		SCALE NTS	SHEET 2 OF 3 REV 5



RECOMMENDED PCB LAYOUT COMPONENT SIDE VIEW

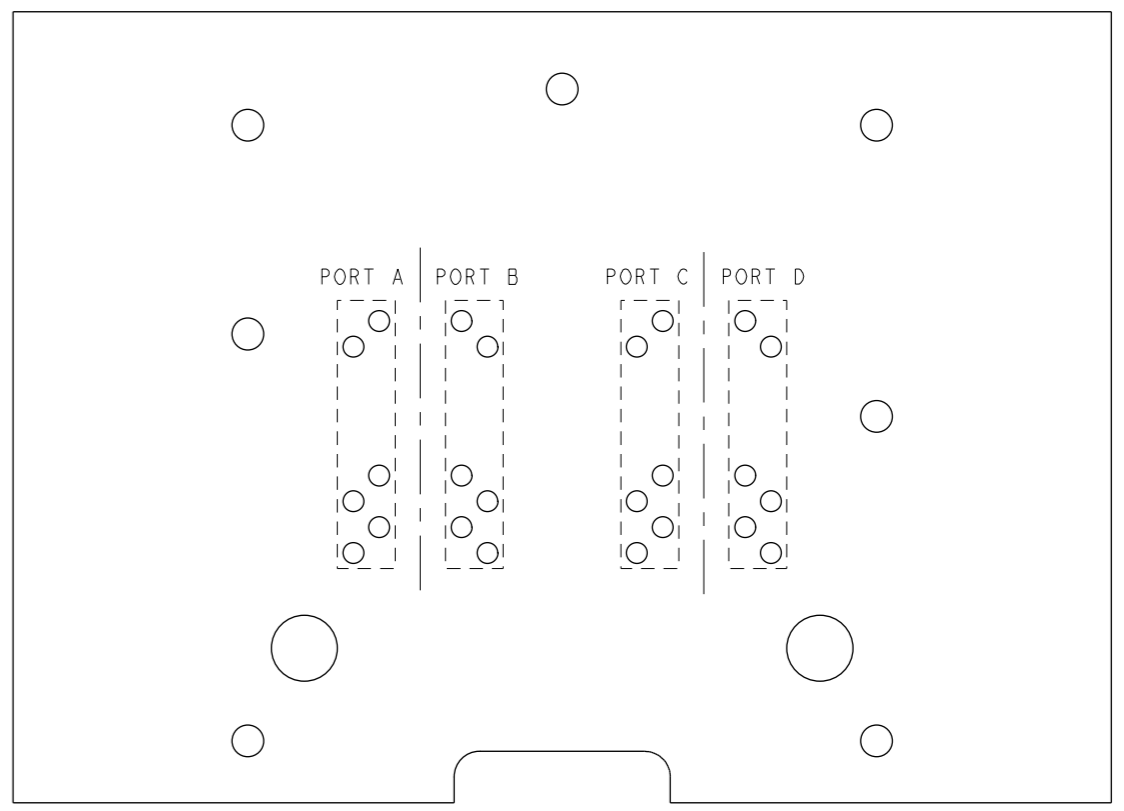


DETAIL A SCALE 8:1



SHOWN WITH PANEL AND CUSTOMER PCB ASSEMBLY

SUGGESTED PANEL CUTOUT DIMENSIONS



PORT ASSIGNMENT COMPONENT SIDE VIEW

THIS DRAWING IS A CONTROLLED DOCUMENT.		DNW: RICK LI/TERRY 1 IN 27MAR2013	trp CONNECTOR a bel group DONGGUAN CHINA
DIMENSIONS: mm		CHK: TOMMY REN 27MAR2013	
TOLERANCES UNLESS OTHERWISE SPECIFIED:		APPR: KEITH ZHU 27MAR2013	DESC: 2X2, 10/100 S8133DET CIRCUIT
0 PLC ±0.25 1 PLC ±0.25 2 PLC ±0.25 3 PLC ± 4 PLC ± ANGLES ± APPLICATION SPEC ±		MODEL NAME: MAGJACK	RESTRICTED TO: -
PRODUCT SPEC		SIZE: A1	CAGE CODE: 2250002
CUSTOMER DRAWING		SCALE: NTS	SHEET: 3 OF 3 REV: 5