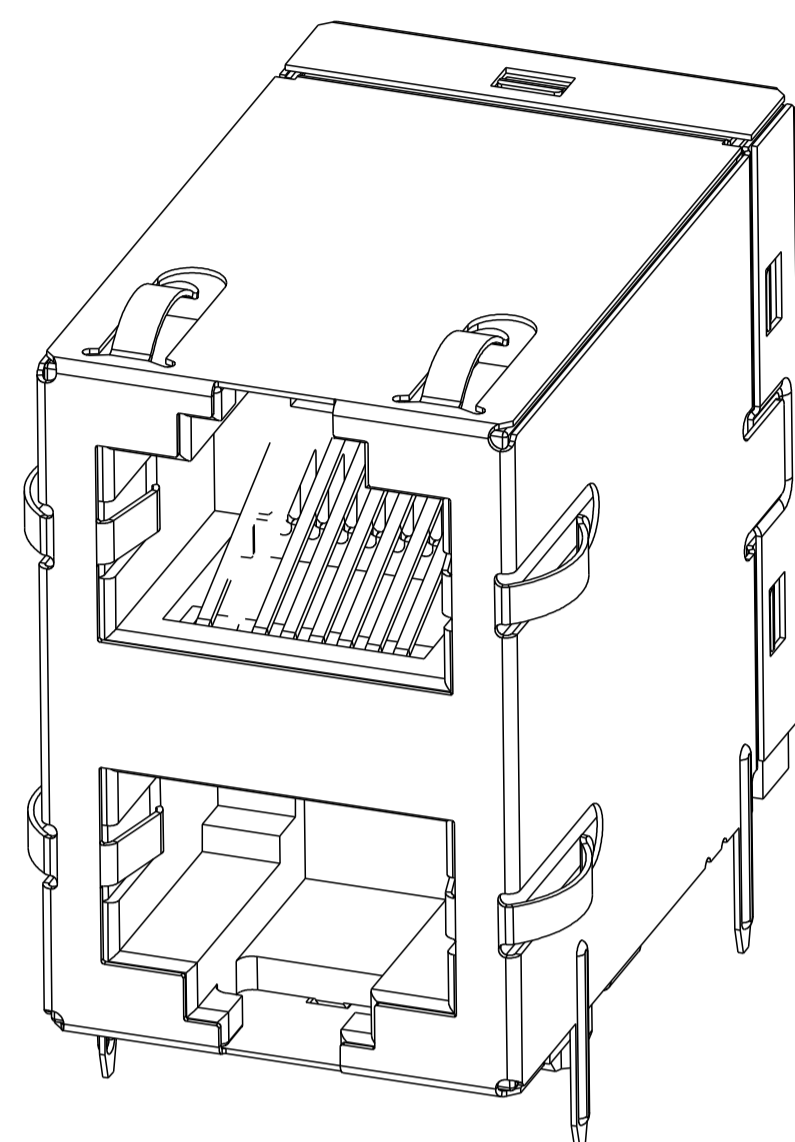


THIS DRAWING AND THE SUBJECT MATTER SHOWN THEREON ARE CONFIDENTIAL AND THE PROPERTY OF BEL/STEWART/TRP CONNECTOR AND SHALL NOT BE REPRODUCED, COPIED, OR USED IN ANY MANNER WITHOUT THE WRITTEN CONSENT OF TRP CONNECTOR.

PRODUCT MAY BE PROTECTED BY ONE OR MORE OF THE FOLLOWING US PATENTS:
 5736910 5939955 6425781 6428361 6554638 6840817 7123117
 7429195 7717749 7808751 6217391 6149050 7924130

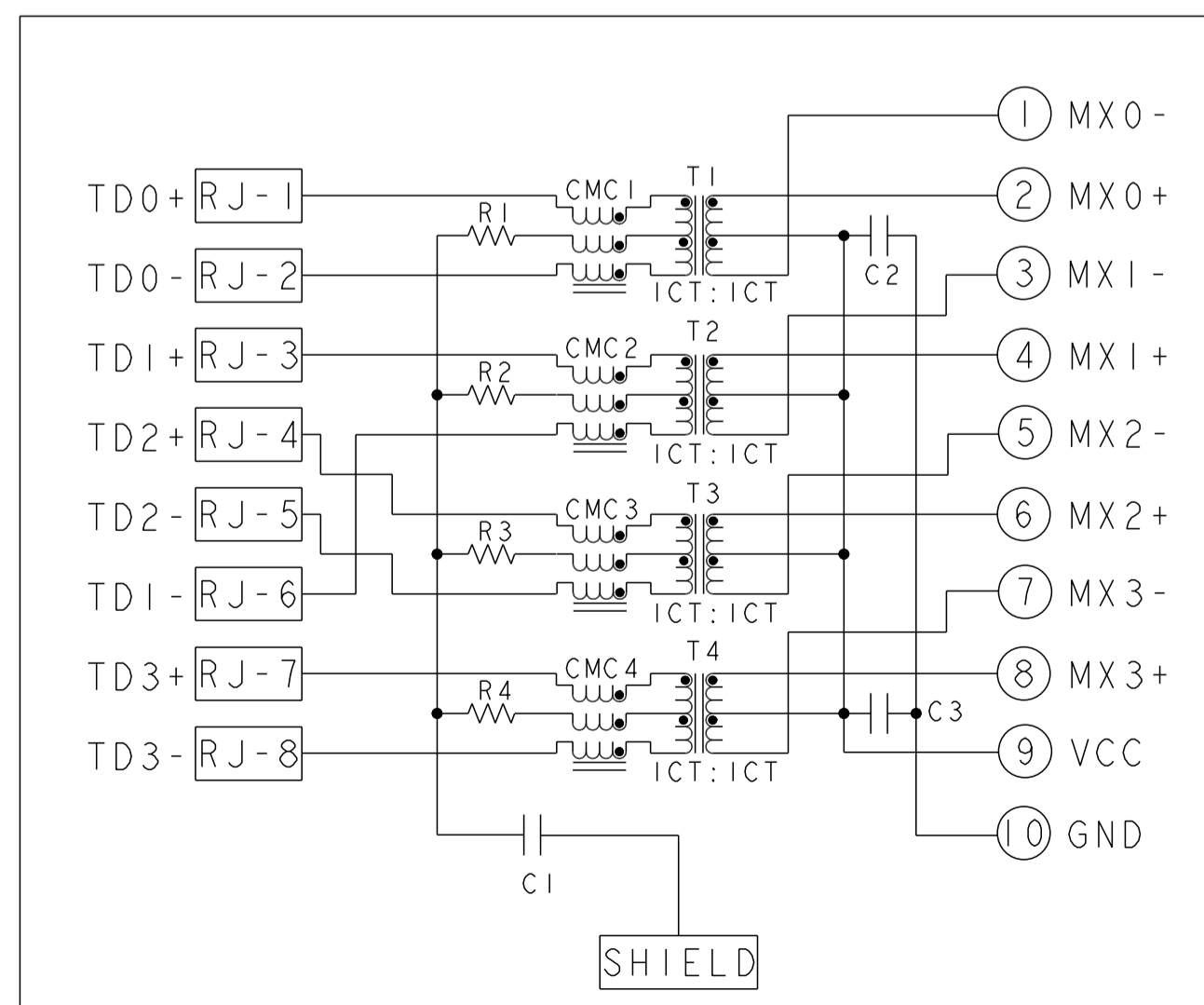
REVISIONS				
P	LTR	DESCRIPTION	DATE	DRW APVD
9		EC-1411035 COMPANY LOGO CHANGE	18DEC2014	GZ TY



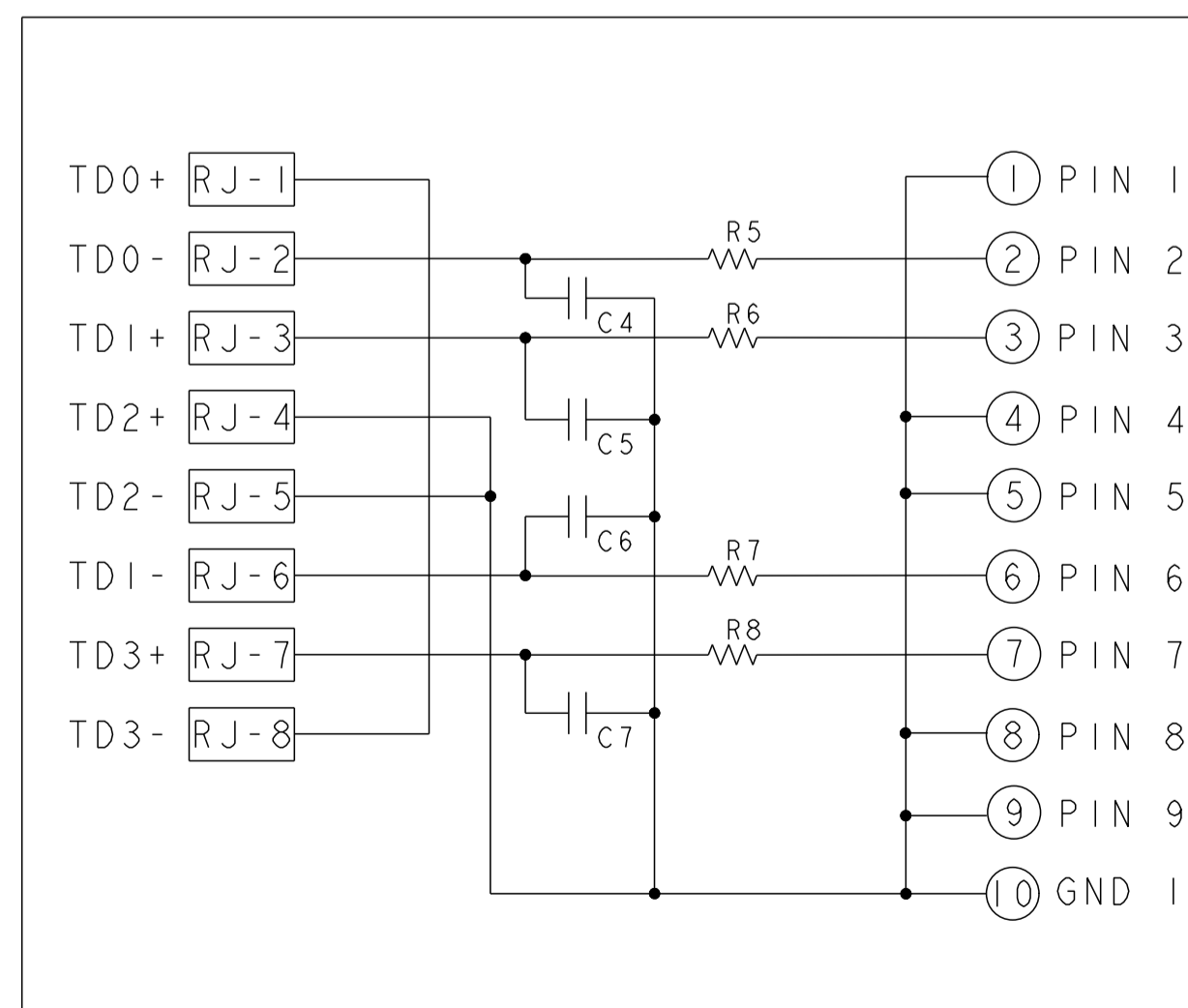
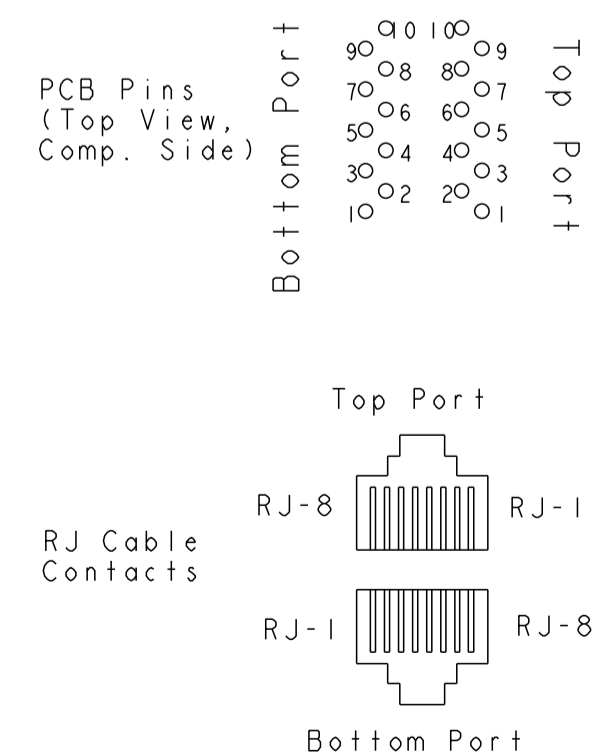
1. MATERIALS:
 PLASTIC HOUSING: BLACK, THERMOPLASTIC FLAMMABILITY RATING UL 94V-0
 SHIELD: BRASS, PREPLATED WITH 0.76um MIN SEMI-BRIGHT NICKEL,
 POST DIPPED WITH 2.54um MIN SAC SOLDER ON SOLDER TAILS,
 CONTACTS: PHOSPHOR BRONZE, 1.27um MIN OVERALL NICKEL
 UNDERPLATE WITH SELECT 1.27um MIN GOLD AT MATING INTERFACE
 AND 2.54um MIN MATTE TIN ON SOLDER TAILS.
 ALL PC BOARDS: HIGH TEMPERATURE PCB, TG>170°C
2. MAGNETICS
 APPLICATION: 10/100/1000 BASE-T
 IMPEDANCE: 100 OHMS
 TURNS RATIO (CHIP:CABLE): 1:1 ALL FOUR PAIRS
 OPEN CIRCUIT INDUCTANCE (OCL): 350uH MIN @100kHz, 0.1VRMS,
 8mADC BIAS FROM 0°C TO 70°C, ALL FOUR PAIRS
 ALL FOUR PAIRS BI-DIRECTIONAL
 PERFORMANCE @ 25°C:
 INSERTION LOSS (IL): 1.1dB MAX FROM 0.5MHz TO 100MHz
 RETURN LOSS (RL): 18dB MIN FROM 0.5MHz TO 40MHz
 12-20LOG(f/80)dB MIN FROM 40.1MHz TO 100MHz
 CROSSTALK ATTENUATION: 35dB MIN FROM 0.5MHz TO 40MHz
 33-20LOG(f/50)dB MIN FROM 40.1MHz TO 100MHz
 COMMON MODE REJECTION RATIO (CMRR): 30dB MIN FROM 0.5MHz TO 100MHz
 ISOLATION VOLTAGE: 2250VDC(MAX) FOR 60 SECONDS WITH A RISE TIME OF
 500V/SEC AND WITH ALL PORTS CONNECTED.
3. PART NUMBER, DATE CODE AND COUNTRY OF ORIGIN ARE
 LOCATED IN APPROXIMATE AREA SHOWN. DATE CODE "YY"
 IS YEAR, "WW" IS WORK WEEK, "D" IS DAY OF WEEK, WITH SUNDAY=1
4. TRP CONNECTOR LOGO AND AGENCY APPROVAL LOGO ARE
 LOCATED IN APPROXIMATE AREA SHOWN.
5. OPERATING TEMP: FROM 0°C TO +70°C.
6. RJ45 CAVITY CONFORMS TO FCC RULES AND REGULATION PART 68 SUBPART F.
7. INDICATED MAGNETIC CONNECTIONS ARE SYMMETRICAL AND
 SUPPORT AUTO-MDI/MDIX.
8. DATUM AND BASIC DIMENSION ESTABLISHED BY CUSTOMER.
9. BASIC DIMENSION ESTABLISHED BY CUSTOMER, BUT MAY NOT BE
 GREATER THAN 7.35mm.
10. THE PARTS ARE RECOMMENDED FOR WAVE SOLDERING PROCESS,
 PEAK TEMPERATURE 260°C MAX, 10 SECONDS MAX.

S8G84 GIGABIT CIRCUIT (MAGNETIC)
 BOTTOM PORT (PORT 1)

NONE-MAGNETIC CIRCUIT
 TOP PORT (PORT 2)



Pin Designations
 (Repeat for each vertical pair of ports.)

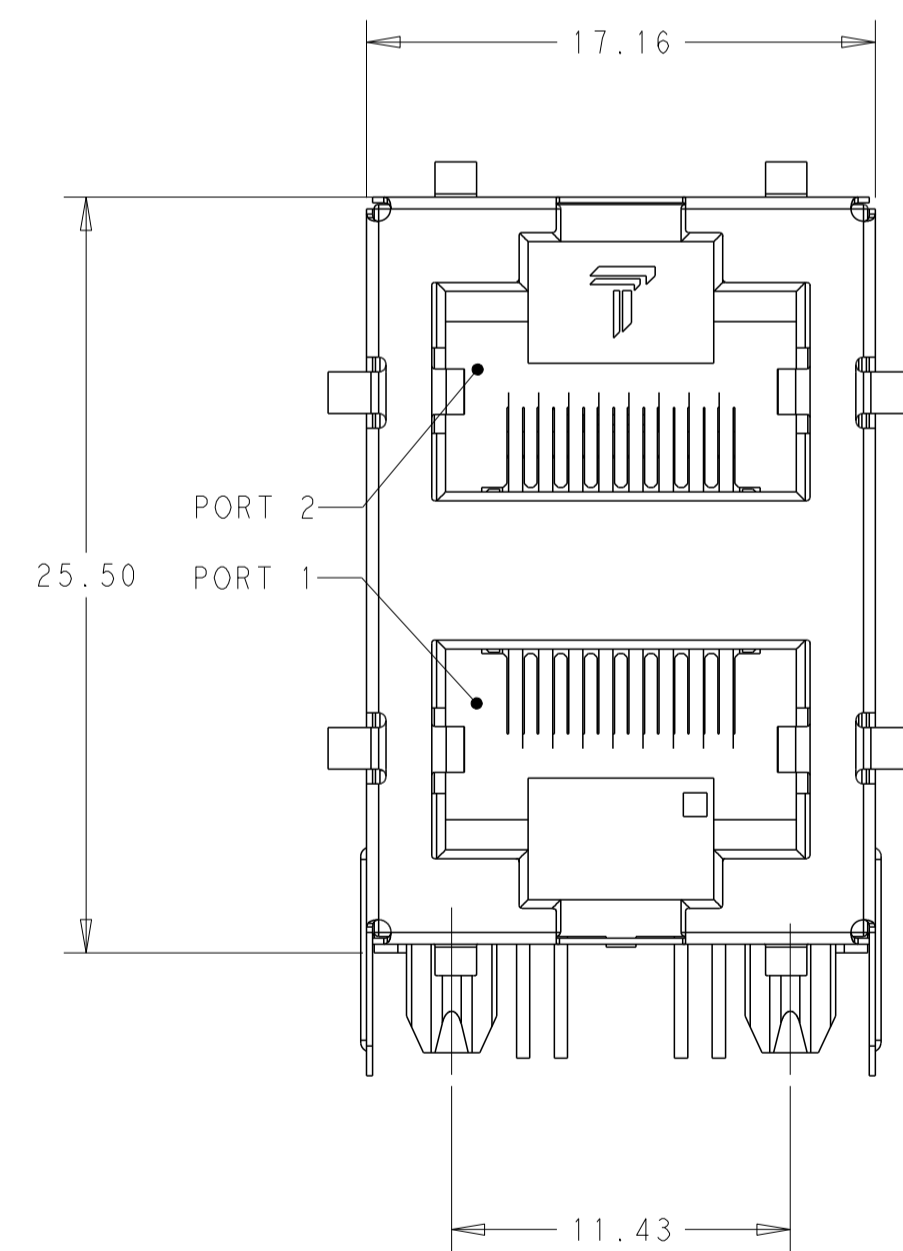
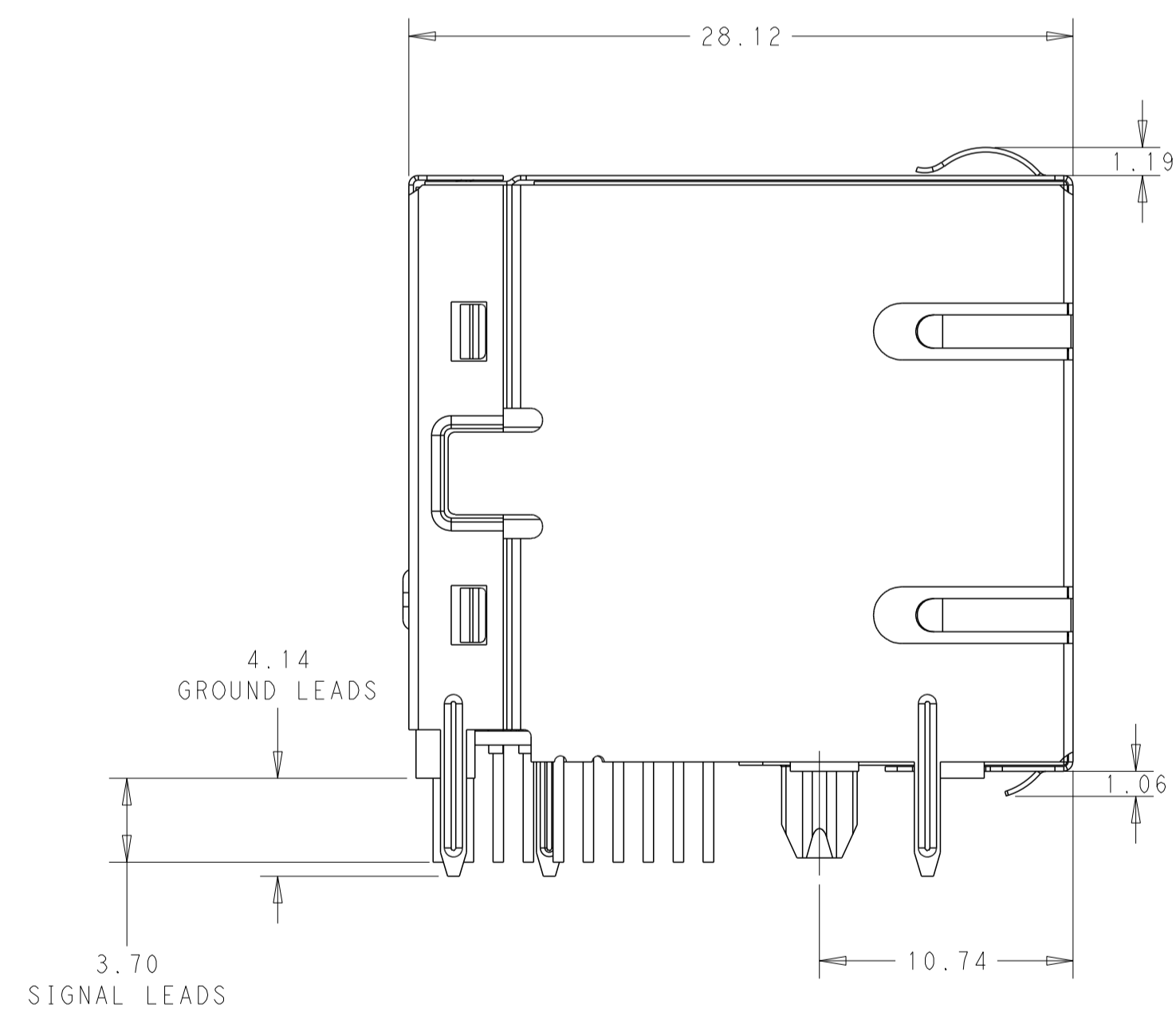
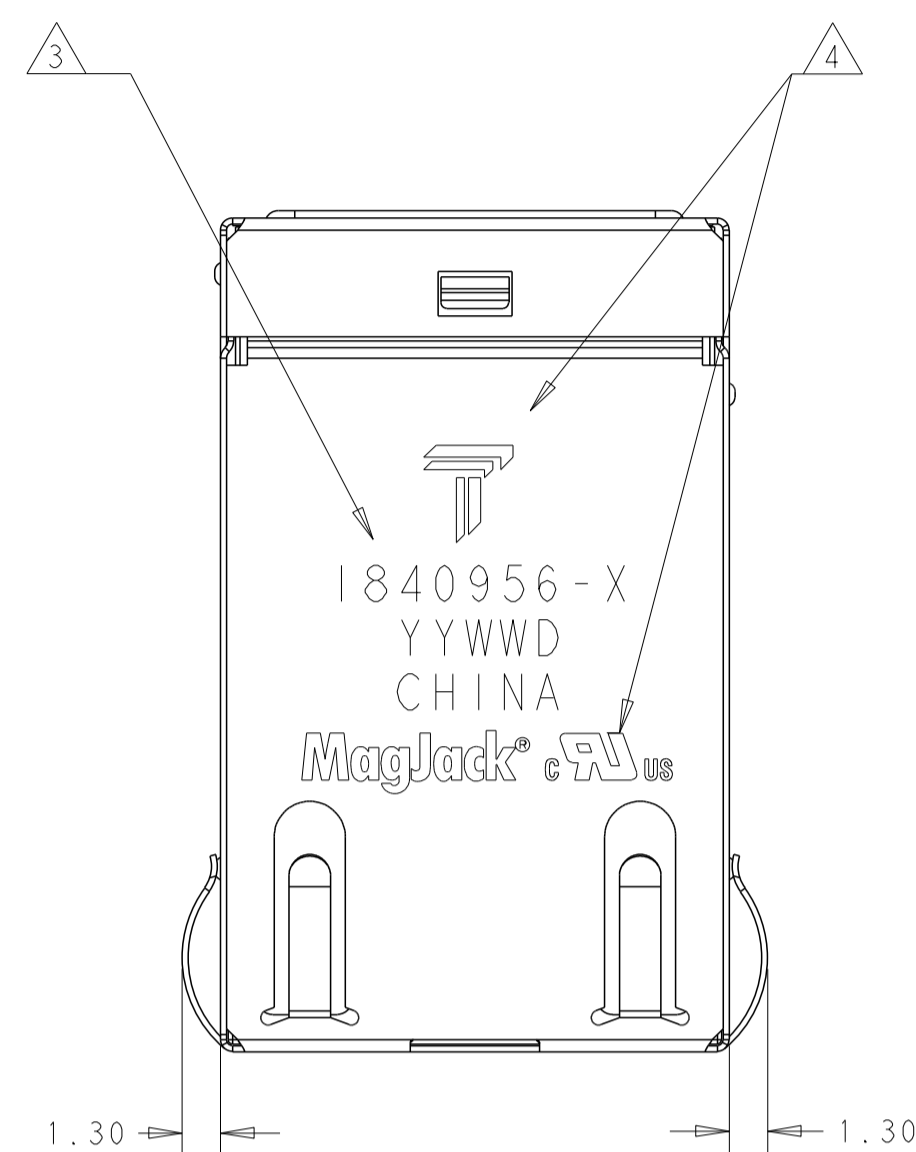



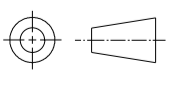
C1 = 1000PF, 2KV CAPACITOR
 C2 - C3 = 10NF, 50V CAPACITORS
 R1-R4 = 75 OHMS, 1/16 W, RESISTORS

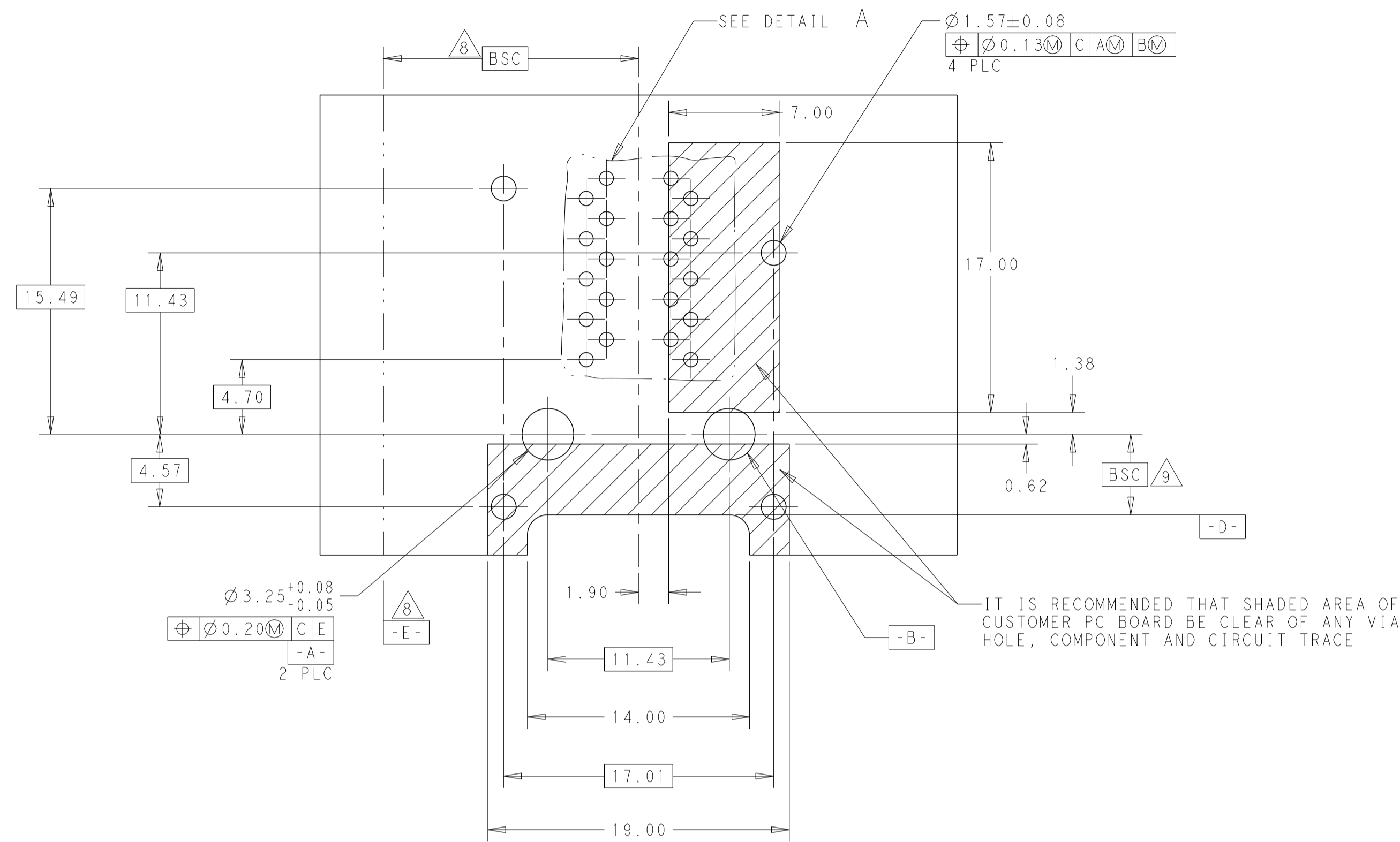
C4 - C7 = 10NF, 50V CAPACITORS
 R5-R8 = 10 OHMS, 1/10W, RESISTORS

1840956-1
 PART
 NUMBER

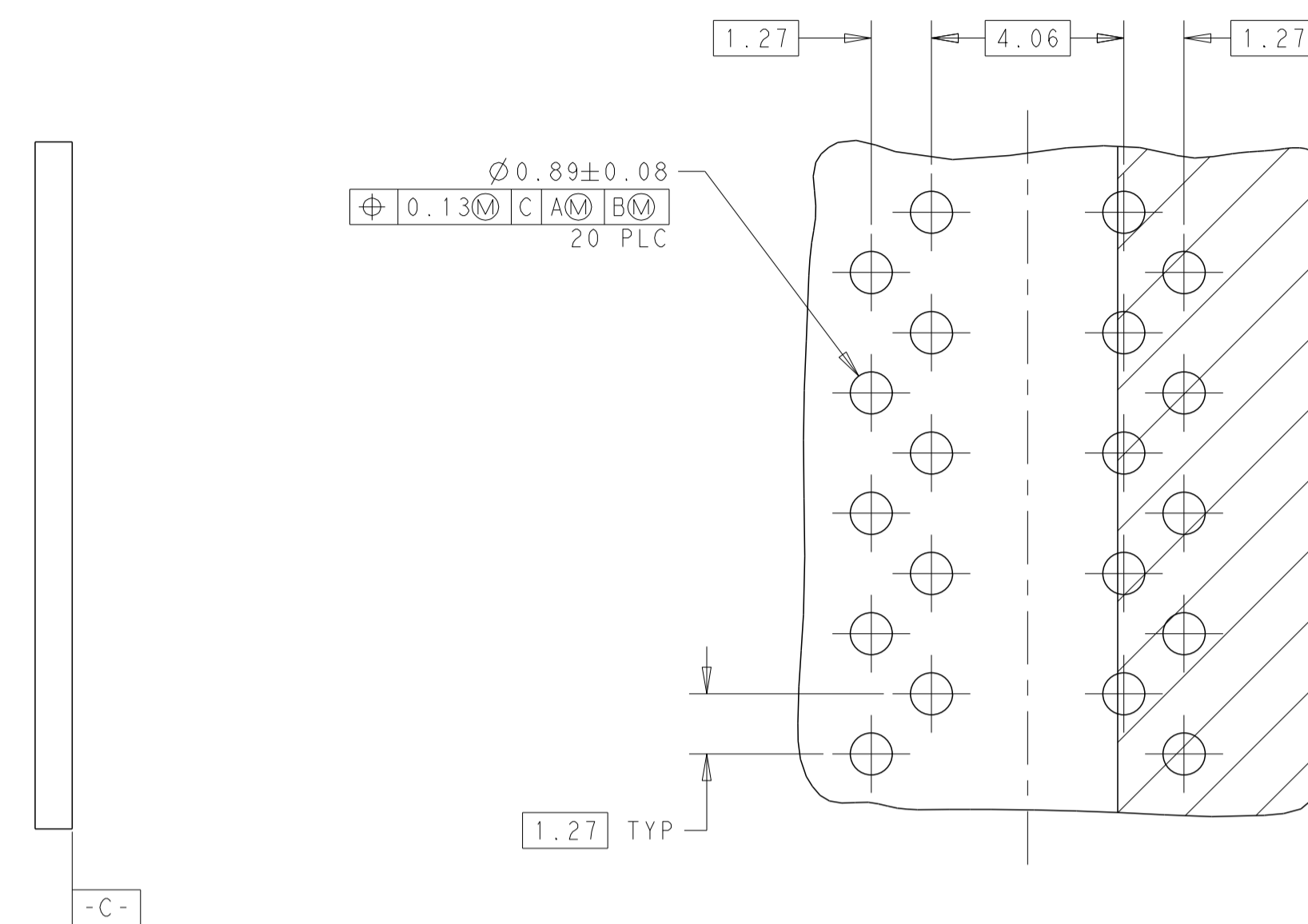
THIS DRAWING IS A CONTROLLED DOCUMENT.		DRW: JAMILSON CHEN 06MAY2010	 trp CONNECTOR a bel group DONGGUAN CHINA
DIMENSIONS: mm		CHK: TOMMY REN 06MAY2010	
		APVD: KEITH ZHU 06MAY2010	
TOLERANCES UNLESS OTHERWISE SPECIFIED: 0 PLC ±0.25 1 PLC ±0.25 2 PLC ±0.25 3 PLC ±0.25 4 PLC ± ANGLES ±		MODEL NAME: MAGJACK	DESC: 2X1 S8G84 GIGABIT W/O LED
PRODUCT SPEC: 108-104004	APPLICATION SPEC: -	SIZE: A1	CAGE CODE: - DRAWING NO: 1840956 RESTRICTED TO: - CUSTOMER DRAWING: - SCALE: 4:1 SHEET 1 OF 3 REV 9



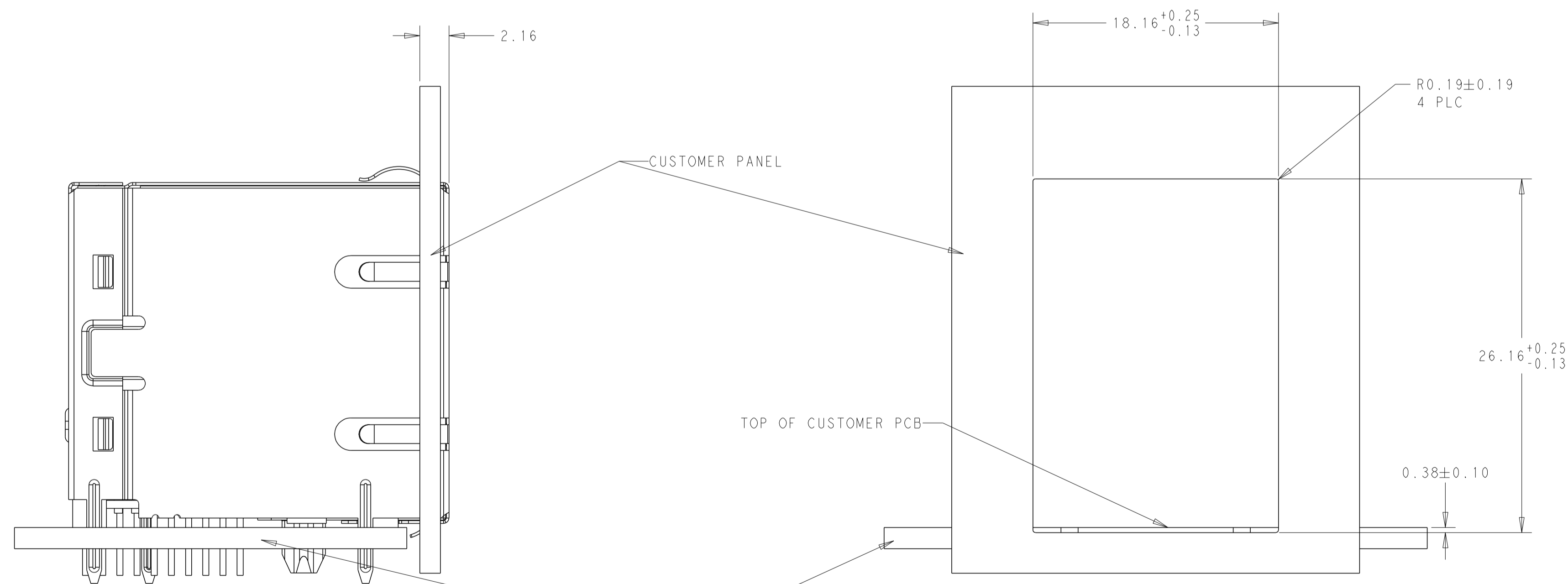
THIS DRAWING IS A CONTROLLED DOCUMENT.		DRN JAMISON CHEN 06MAY2010	 trp CONNECTOR a bel group DONGGUAN CHINA
DIMENSIONS: mm		CHK TOMMY REN 06MAY2010	
		APP'D KEITH ZHU 06MAY2010	
TOLERANCES UNLESS OTHERWISE SPECIFIED: 0 PLC ±0.25 1 PLC ±0.25 2 PLC ±0.25 3 PLC ± 4 PLC ± ANGLES ± APPLICATION SPEC ±		MODEL NAME MAGJACK	DESC 2X1 S8G84 GIGABIT W/O LED
PRODUCT SPEC 108-104004		APPLICATION SPEC	SIZE A1
CUSTOMER DRAWING		SCALE 4:1	DRAWING NO. C=1840956
		SHEET 2	OF 3
		REV 9	RESTRICTED TO



RECOMMENDED PCB LAYOUT COMPONENT SIDE VIEW



DETAIL A SCALE 8:1



SHOWN WITH PANEL AND CUSTOMER PCB ASSEMBLY

SUGGESTED PANEL CUTOUT DIMENSIONS

THIS DRAWING IS A CONTROLLED DOCUMENT.		DRN: JAMISON CHEN 06MAY2010	 DONGGUAN CHINA
DIMENSIONS: mm		CHK: TOMMY REN 06MAY2010	
		APPRO: KEITH ZHU 06MAY2010	
TOLERANCES UNLESS OTHERWISE SPECIFIED:		MODEL NAME: MAGJACK	DESC: 2X1 S8G84 GIGABIT W/O LED
0 PLC ±0.25 1 PLC ±0.25 2 PLC ±0.25 3 PLC ±0.25 4 PLC ±0.25 ANGLES ±		PRODUCT SPEC: 108-104004	RESTRICTED TO: -
APPLICATION SPEC: -		SIZE: A1	CAGE CODE: 1840956
CUSTOMER DRAWING		SCALE: 4:1	SHEET 3 OF 3 REV 9