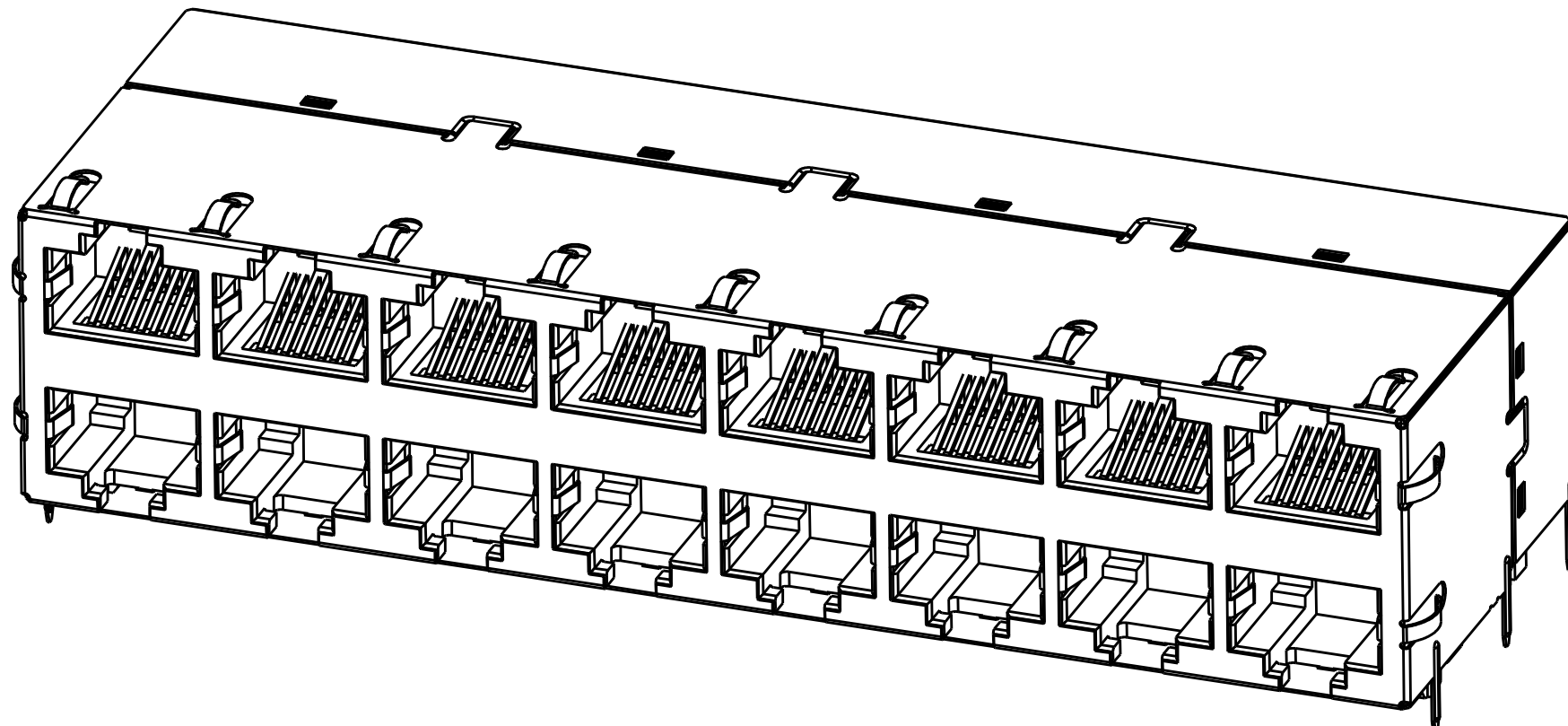


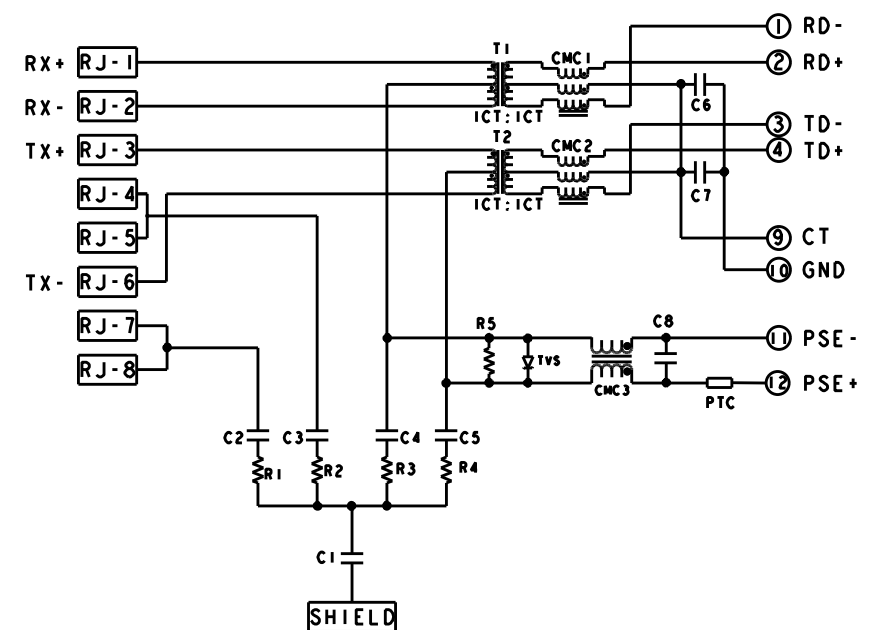
THIS DRAWING AND THE SUBJECT MATTER SHOWN THEREON ARE CONFIDENTIAL AND THE PROPERTY OF BEL/STEWART/TRP CONNECTOR AND SHALL NOT BE REPRODUCED, COPIED, OR USED IN ANY MANNER WITHOUT THE WRITTEN CONSENT OF TRP CONNECTOR.

PRODUCT MAY BE PROTECTED BY ONE OR MORE OF THE FOLLOWING US PATENTS:
 5736910 5939955 6425781 6428361 6554638 6840817 7123117
 7429195 7717749 7808751 6217391 6149050 7924130

REVISIONS				
#	DATE	DESCRIPTION	BY	APPV
1	21 JAN 2015	EC-1411035 COMPANY LOGO CHANGE	CZ	TY



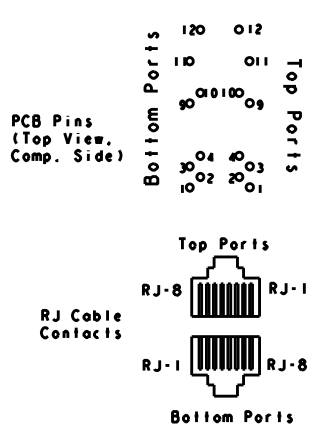
S8VI6 10/100 PoE CIRCUIT ⚠⚠
 Top and Bottom Ports



- C1 = 1000pF, 2KV, ±10%, X7R DECOUPLING CAP
- C2 - C5 = 22nF, 100V, ±10% CAPACITORS
- C6 - C7 = 10nF, 50V ±10% CAPACITORS
- R1-R4 = 75 Ohms, 1/16 W, ±5% RESISTORS
- C8 = 0.1uF, 100V ±10%
- PTC = 60VDC, 10A SHORT CIRCUIT CURRENT
- R5 = 2.2M Ohm, ±10%
- TVS = P6SMB68AT3G OR SM6T68A

Pin Designations

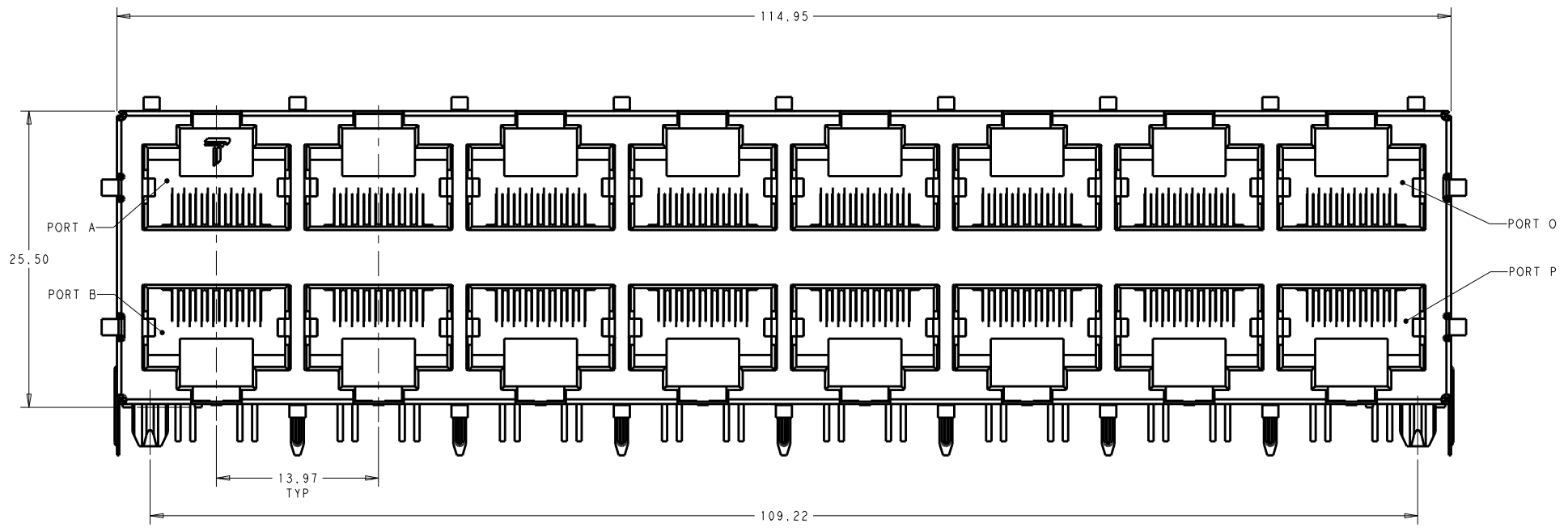
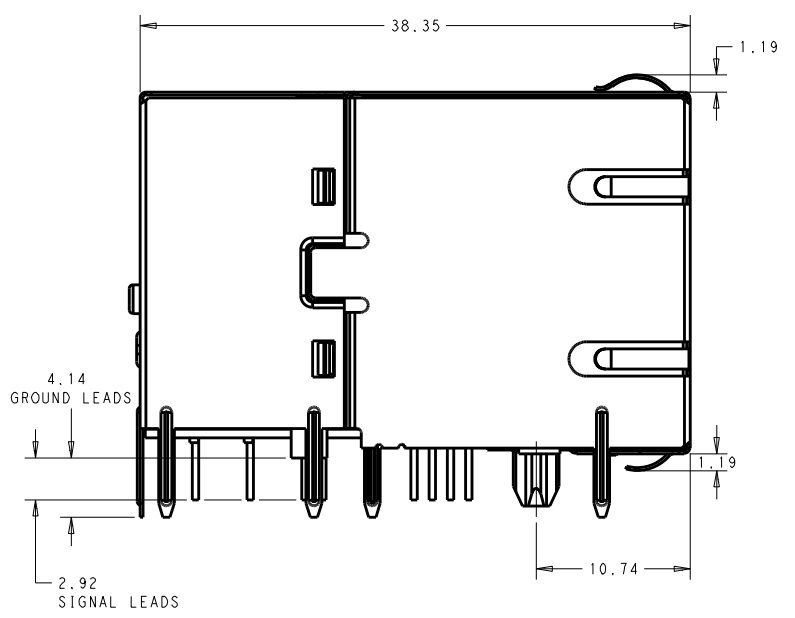
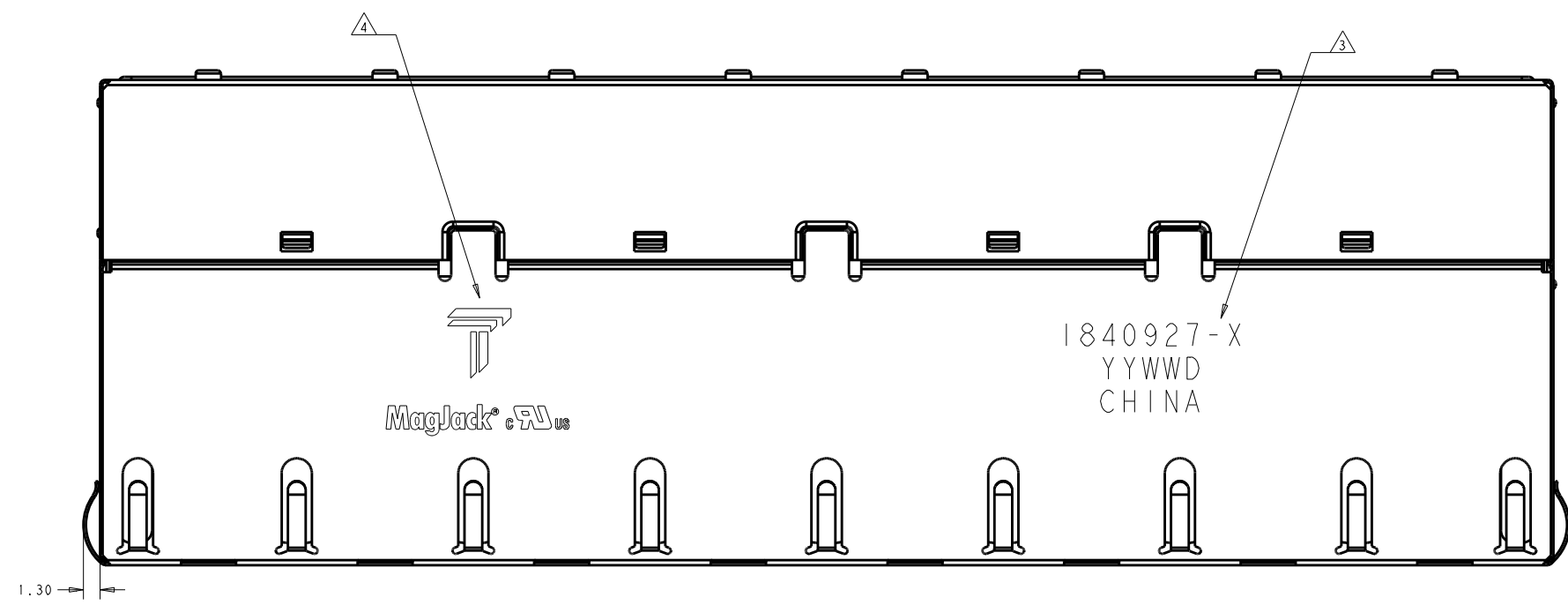
(Repeat for each vertical pair of ports.)



1. MATERIALS:
 PLASTIC HOUSING: BLACK, THERMOPLASTIC FLAMMABILITY RATING UL 94V-0
 SHIELD: BRASS, PREPLATED WITH 0.76um MIN SEMI-BRIGHT NICKEL,
 POST DIPPED WITH 2.54um MIN SAC SOLDER ON SOLDER TAILS,
 CONTACTS: PHOSPHOR BRONZE, 1.27um MIN OVERALL NICKEL
 UNDERPLATE WITH SELECT 1.27um MIN GOLD AT MATING INTERFACE
 AND 2.54um MIN MATTE TIN ON SOLDER TAILS.
 ALL PC BOARDS: HIGH TEMPERATURE PCB, TG>170°C
- ⚠ MAGNETICS
 APPLICATION: 10/100 BASE-T, PoE
 IMPEDANCE: 100 OHMS
 TURNS RATIO (CHIP:CABLE): TX = 1:1, RX = 1:1
 OPEN CIRCUIT INDUCTANCE (OCL): 350uH MIN @100kHz, 0.1VRMS,
 8mADC BIAS FROM 0°C TO 70°C, TX AND RX
 POE CURRENT: 350mADC MAX
 PERFORMANCE @ 25°C:
 INSERTION LOSS (IL): 1.1dB MAX FROM 0.5MHz TO 100MHz
 RETURN LOSS (RL): 18dB MIN FROM 0.5MHz TO 30MHz
 18-20LOG(f/30)dB MIN FROM 30.1MHz TO 60MHz
 12dB MIN FROM 60.1MHz TO 80MHz
 CROSSTALK ATTENUATION: 35dB MIN FROM 0.5MHz TO 40MHz
 33-20LOG(f/50)dB MIN FROM 40.1MHz TO 100MHz
 COMMON MODE REJECTION RATIO (CMRR): 30dB MIN FROM 0.5MHz TO 100MHz
 ISOLATION VOLTAGE: 2250VDC(MAX) FOR 60 SECONDS WITH A RISE TIME OF
 500V/SEC AND WITH ALL PORTS CONNECTED.
- ⚠ PART NUMBER, DATE CODE AND COUNTRY OF ORIGIN ARE
 LOCATED IN APPROXIMATE AREA SHOWN. DATE CODE YY
 IS YEAR, WW IS WORK WEEK, D IS DAY OF WEEK, WITH SUNDAY=1
- ⚠ TRP LOGO AND AGENCY APPROVAL LOGO ARE
 LOCATED IN APPROXIMATE AREA SHOWN.
5. OPERATING TEMP: FROM 0°C TO +70°C.
6. RJ45 CAVITY CONFORMS TO FCC RULES AND REGULATION PART 68 SUBPART F.
- ⚠ INDICATED MAGNETIC CONNECTIONS ARE SYMMETRICAL AND
 SUPPORT AUTO-MDI/MDIX.
- ⚠ DATUM AND BASIC DIMENSION ESTABLISHED BY CUSTOMER.
- ⚠ BASIC DIMENSION ESTABLISHED BY CUSTOMER, BUT MAY NOT BE
 GREATER THAN 5.08mm.
10. THE PARTS ARE RECOMMENDED FOR WAVE SOLDERING PROCESS,
 PEAK TEMPERATURE 260°C MAX, 10 SECONDS MAX.

1840927-1
 PART NUMBER

THIS DRAWING IS A CONTROLLED DOCUMENT.		DWN: TOMMY REN 06 JAN 2010 CHK: TONY YUAN 06 JAN 2010 APVD: KELTH ZHU 06 JAN 2010	DONGGUAN CHINA
DIMENSIONS: mm 	TOLERANCES UNLESS OTHERWISE SPECIFIED: 0 PLC ± 1 PLC ± 2 PLC ±0.25 3 PLC ± 4 PLC ±	MODEL NAME: MAGJACK STACK PoE SIZE: A1 SCALE: 4:1	DESC: 2X8 S8VI6 10/100 PoE W/O LED DRAWING NO: 1840927 SHEET 1 OF 3
PRODUCT SPEC: 108-104004	APPLICATION SPEC:	RESTRICTED TO:	REV: H



THIS DRAWING IS A CONTROLLED DOCUMENT.		DWN TOMMY REN 06 JAN 2010 CHK TONY YUAN 06 JAN 2010 APVD KELTH ZHU 06 JAN 2010	trp CONNECTOR a bel group DONGGUAN CHINA
DIMENSIONS: mm 	TOLERANCES UNLESS OTHERWISE SPECIFIED: 0 PLC ± 1 PLC ± 2 PLC ±0.25 3 PLC ± 4 PLC ± ANGLES ±	MODEL NAME MAGJACK STACK PoE	
PRODUCT SPEC 108-104004	APPLICATION SPEC -	SIZE A1	CAGE CODE 1840927
Customer Drawing		SCALE 4:1	SHEET 2 OF 3 REV H

