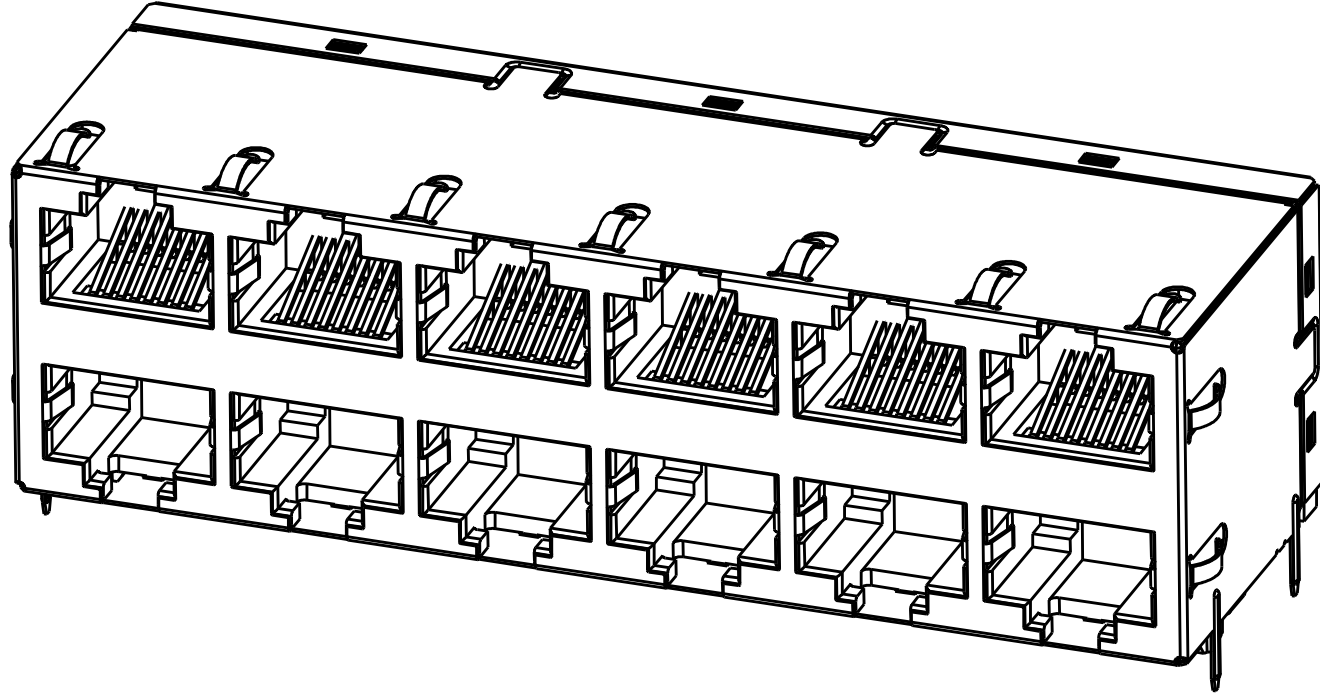


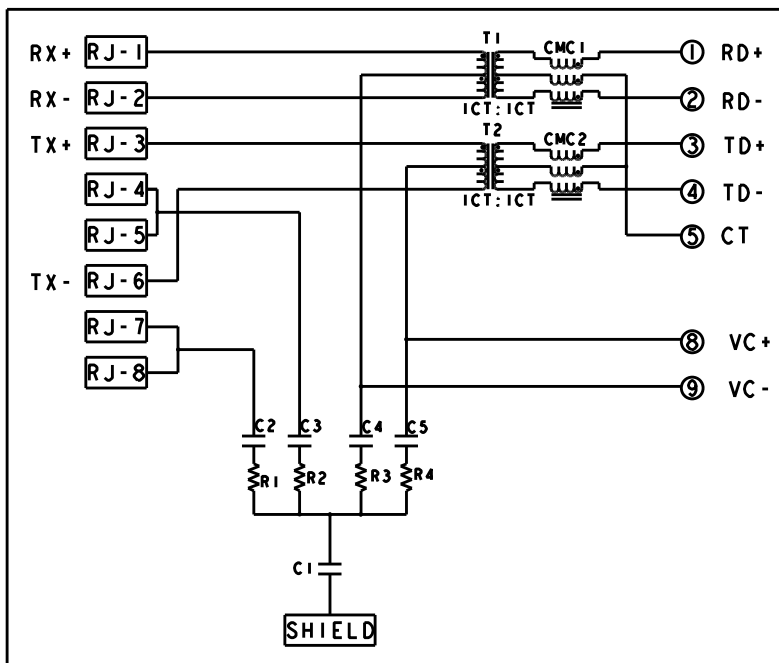
THIS DRAWING AND THE SUBJECT MATTER SHOWN THEREON ARE CONFIDENTIAL AND THE PROPERTY OF BEL/STEWART/TRP CONNECTOR AND SHALL NOT BE REPRODUCED, COPIED, OR USED IN ANY MANNER WITHOUT THE WRITTEN CONSENT OF TRP CONNECTOR.

PRODUCT MAY BE PROTECTED BY ONE OR MORE OF THE FOLLOWING US PATENTS:  
 5736910 5939955 6425781 6428361 6554638 6840817 7123117  
 7429195 7717749 7808751 6217391 6149050 7924130

REVISONS					
#	LTR	DESCRIPTION	DATE	OWN	APVD
J		EC-1411035 COMPANY LOGO CHANGE	20JAN2015	CZ	TY

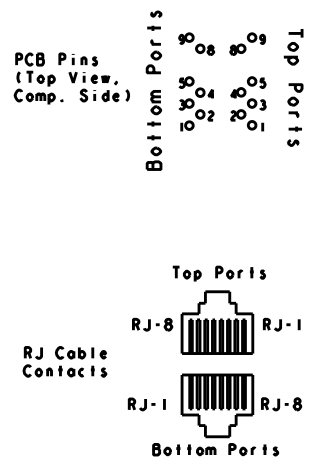


S8V89 10/100 PoE CIRCUIT  $\Delta\Delta$   
 Top and Bottom Ports



C1 = 1000pF, 2KV,  $\pm 10\%$ , X7R DECOUPLING CAP  
 C2 - C5 = 22nF, 100V,  $\pm 10\%$  CAPACITORS  
 R1-R4 = 75 Ohms, 1/16 W,  $\pm 5\%$  RESISTORS

Pin Designations  
 (Repeat for each vertical pair of ports.)



- MATERIALS:**  
 HOUSING: BLACK, THERMOPLASTIC FLAMMABILITY RATING UL 94V-0  
 SHIELD: BRASS, PREPLATED WITH 0.76 $\mu$ m MIN SEMI-BRIGHT NICKEL, POST DIPPED WITH 2.54 $\mu$ m MIN SAC SOLDER ON SOLDER TAILS.  
 CONTACTS: PHOSPHOR BRONZE, 1.27 $\mu$ m MIN OVERALL NICKEL UNDERPLATE WITH SELECT 1.27 $\mu$ m MIN GOLD AT MATING INTERFACE AND 2.54 $\mu$ m MIN MATTE TIN ON SOLDER TAILS.  
 ALL PCB BOARDS: HIGH TEMPERATURE PCB, TG>170°C
- MAGNETICS**  
 APPLICATION: 10/100 BASE-T, PoE  
 IMPEDANCE: 100 OHMS  
 TURNS RATIO (CHIP:CABLE): TX = 1:1, RX = 1:1  
 OPEN CIRCUIT INDUCTANCE (OCL): 350 $\mu$ H MIN @100kHz, 0.1VRMS, 8mADC BIAS FROM 0°C TO 70°C, TX AND RX  
 POE CURRENT: 350mADC MAX  
 PERFORMANCE @ 25°C:  
 INSERTION LOSS (IL): 1.1dB MAX FROM 0.5MHz TO 100MHz  
 RETURN LOSS (RL): 18dB MIN FROM 0.5MHz TO 30MHz  
 18-20LOG(f/30)dB MIN FROM 30.1MHz TO 60MHz  
 12dB MIN FROM 60.1MHz TO 80MHz  
 CROSSTALK ATTENUATION: 35dB MIN FROM 0.5MHz TO 40MHz  
 33-20LOG(f/50)dB MIN FROM 40.1MHz TO 100MHz  
 COMMON MODE REJECTION RATIO (CMRR): 30dB MIN FROM 0.5MHz TO 100MHz  
 ISOLATION VOLTAGE: 2250VDC(MAX) FOR 60 SECONDS WITH A RISE TIME OF 500V/SEC AND WITH ALL PORTS CONNECTED.
- PART NUMBER, DATE CODE AND COUNTRY OF ORIGIN ARE LOCATED IN APPROXIMATE AREA SHOWN. DATE CODE: YYWW "YY" IS YEAR, "WW" IS WORK WEEK, "D" IS DAY OF WEEK, WITH SUNDAY=1
- TRP LOGO AND AGENCY APPROVAL LOGO ARE LOCATED IN APPROXIMATE AREA SHOWN.
- OPERATING TEMP: FROM 0°C TO +70°C.
- RJ45 CAVITY CONFORMS TO FCC RULES AND REGULATION PART 68 SUBPART F.
- INDICATED MAGNETIC CONNECTIONS ARE SYMMETRICAL AND SUPPORT AUTO-MDI/MDIX.
- DATUM AND BASIC DIMENSION ESTABLISHED BY CUSTOMER.
- BASIC DIMENSION ESTABLISHED BY CUSTOMER, BUT MAY NOT BE GREATER THAN 5.08mm.
- THE PARTS ARE RECOMMENDED FOR WAVE SOLDERING PROCESS, PEAK TEMPERATURE 260°C MAX, 10 SECONDS MAX.

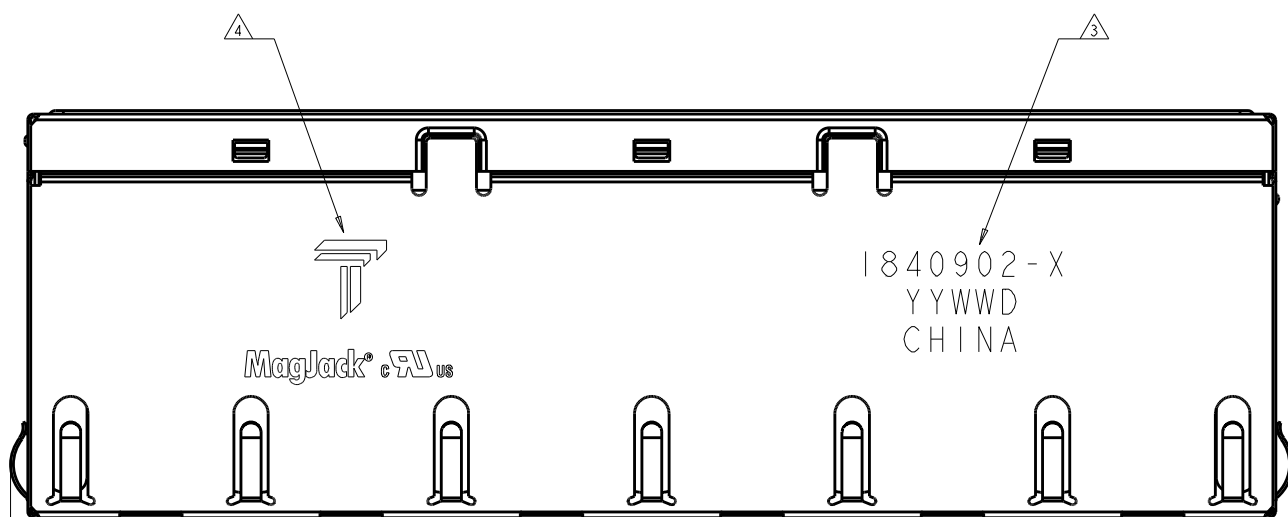
3.81	1840902-2
2.06	1840902-1
DIM A	PART NUMBER

THIS DRAWING IS A CONTROLLED DOCUMENT.

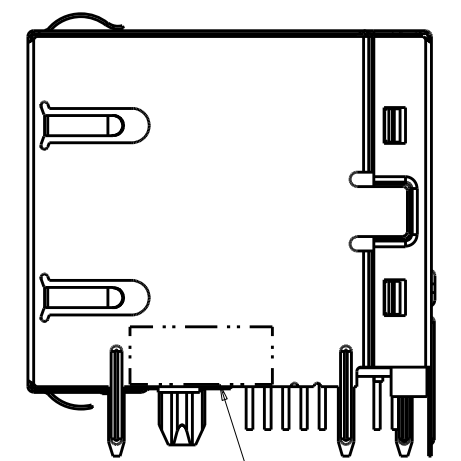
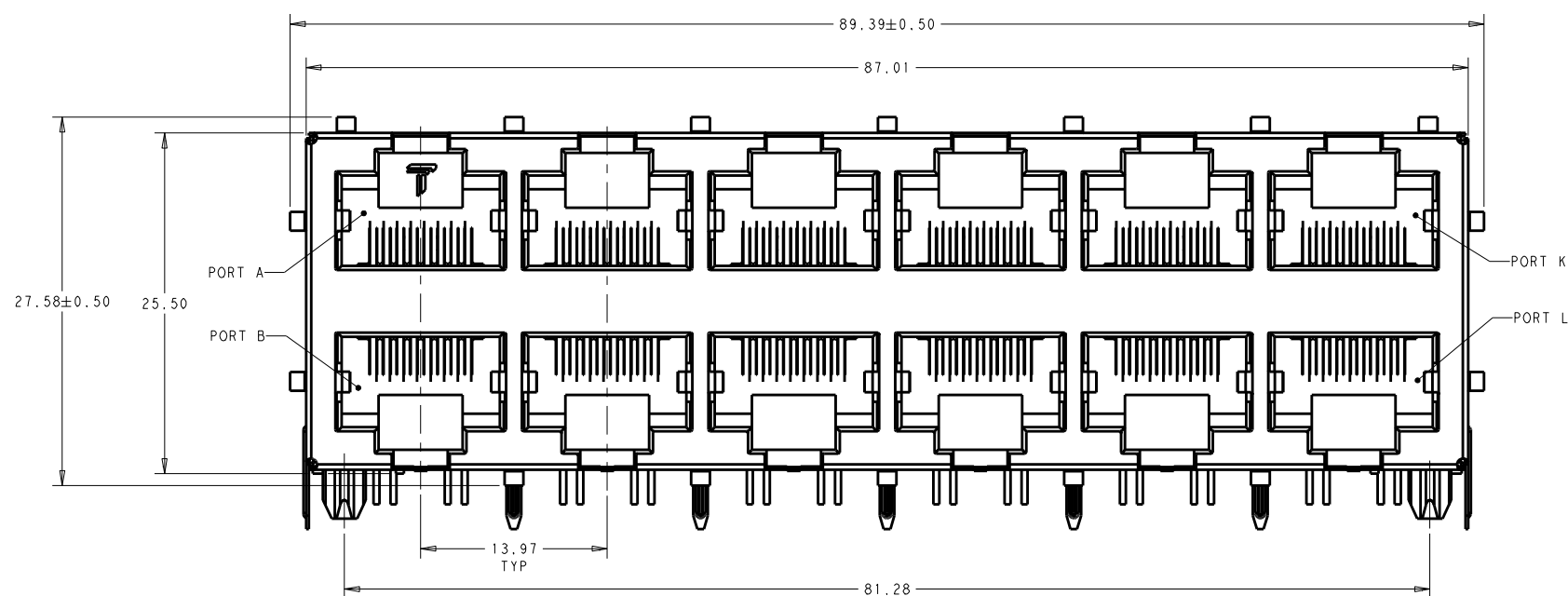
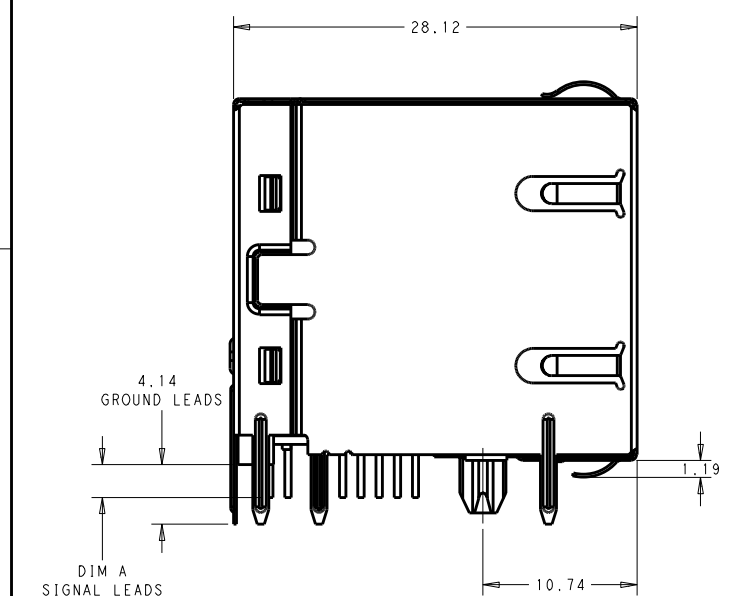
DIMENSIONS: mm	TOLERANCES UNLESS OTHERWISE SPECIFIED:	DRN SKY ZHAO 05NOV2009	CHK TOMMY REN 05NOV2009	APVD KEITH ZHU 05NOV2009	trp CONNECTOR DONGGUAN CHINA
0 PLC $\pm 0.25$	1 PLC $\pm 0.25$	2 PLC $\pm 0.25$	3 PLC $\pm 0.25$	4 PLC $\pm 0.25$	MODEL NAME
PRODUCT SPEC 108-104004	APPLICATION SPEC	MAGJACK STACK POE	2X6 S8V89 10/100 PoE W/O LED	SIZE A1	SCALE NTS
CUSTOMER DRAWING			DATE 1840902	SHEET 1 OF 3	REV J

D  
C  
B  
A

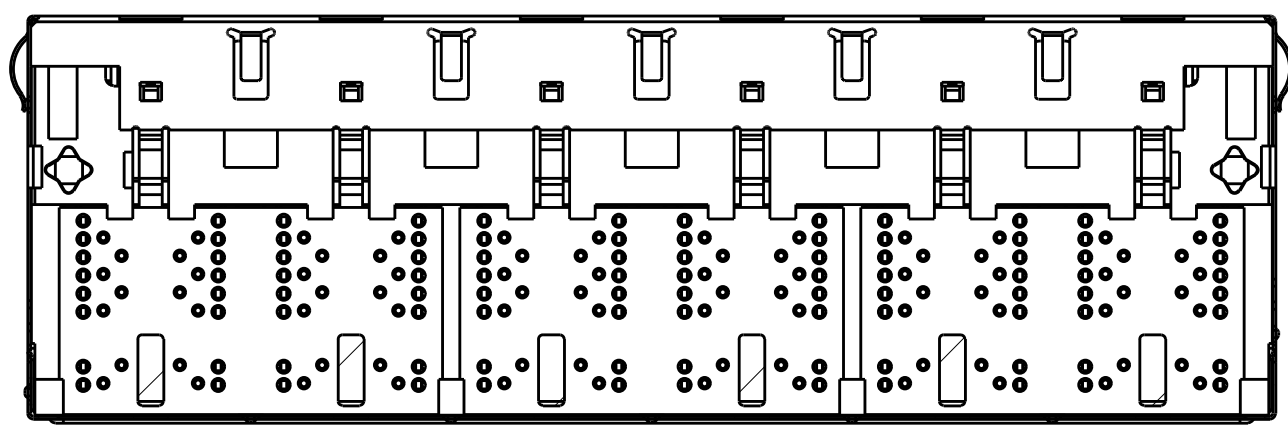
D  
C  
B  
A



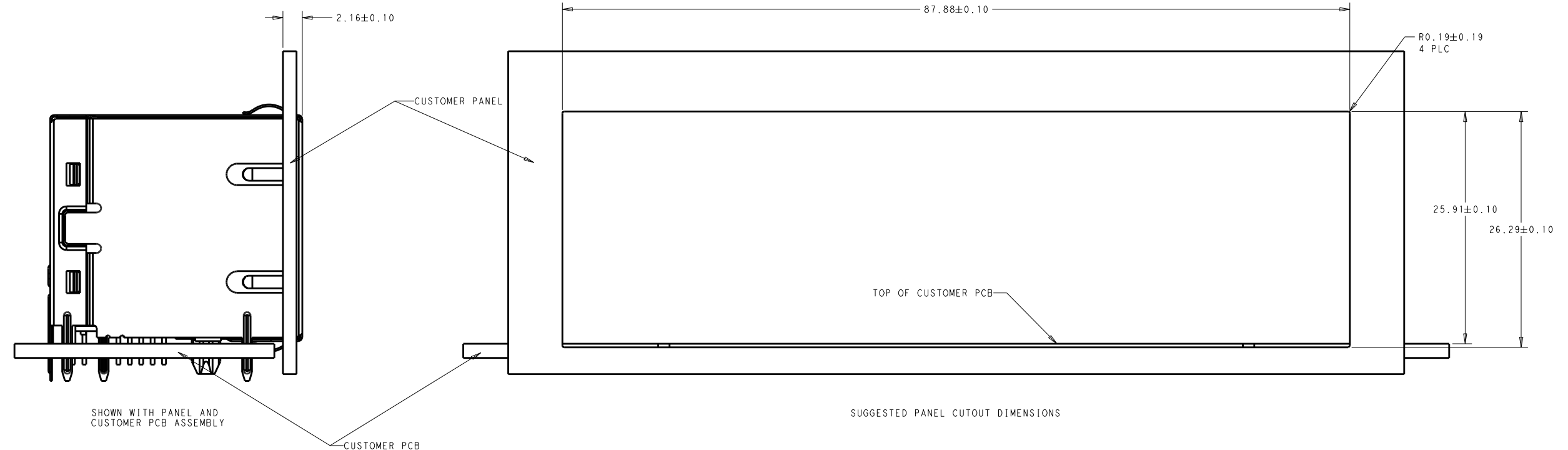
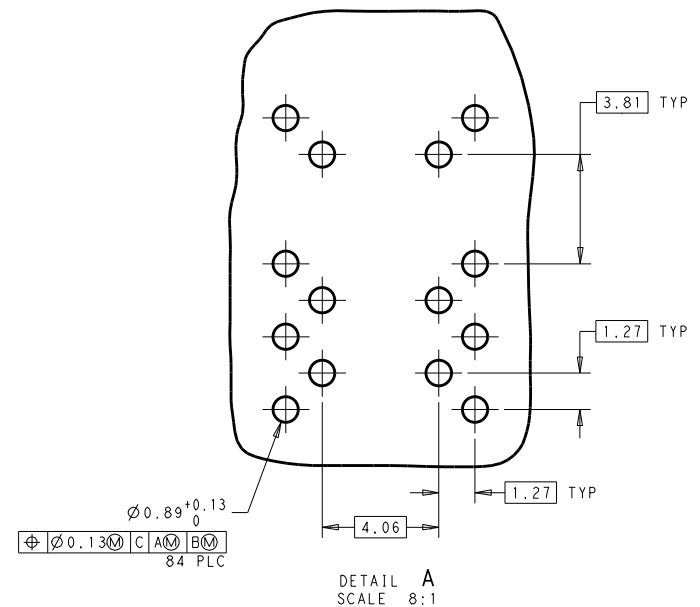
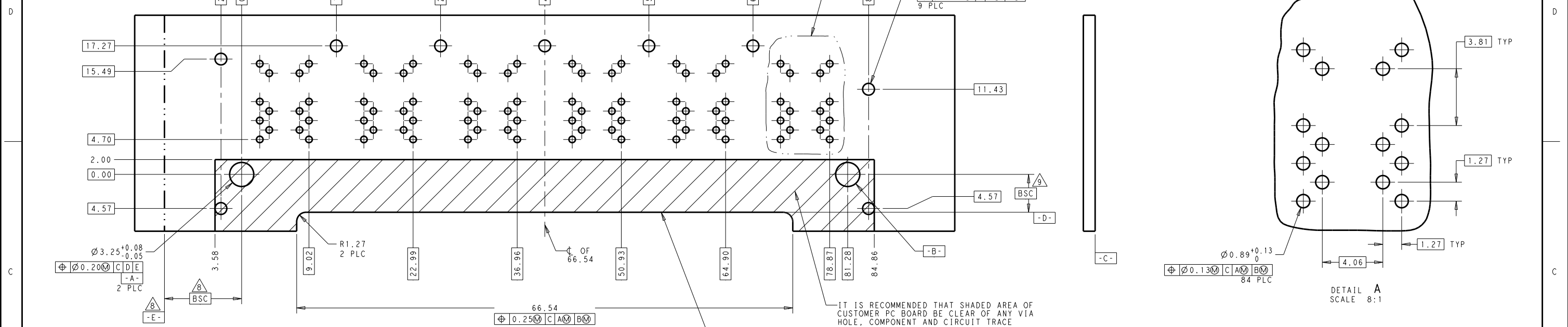
1.19



TESTING CONFIRMATION MARK IN THE AREA AS SHOWN



THIS DRAWING IS A CONTROLLED DOCUMENT.		DRN: SKY_ZHAO 05NOV2009	<b>trp</b> CONNECTOR DONGGUAN CHINA
DIMENSIONS: mm		CHK: TOMMY_REN 05NOV2009	
TOLERANCES UNLESS OTHERWISE SPECIFIED:		APVD: KELTH_ZHU 05NOV2009	
0 PLC ±0.25 1 PLC ±0.25 2 PLC ±0.25 3 PLC ±* 4 PLC ±* ANGLES ±*		MODEL NAME: MAGJACK STACK POE	DESC: 2X6 S8V89 10/100 PoE W/O LED
PRODUCT SPEC: 108-104004	APPLICATION SPEC:	SIZE: A1	CAGE CODE: - DRAWING NO: 1840902 CUSTOMER DRAWING: - SCALE: NTS SHEET 2 OF 3 REV J



THIS DRAWING IS A CONTROLLED DOCUMENT.		DRN SKY ZHAO 05NOV2009	 DONGGUAN CHINA										
DIMENSIONS: mm		CHK TOMMY REN 05NOV2009											
TOLERANCES UNLESS OTHERWISE SPECIFIED:		APVD KELTH ZHU 05NOV2009											
<table border="1"> <tr><td>0 PLC</td><td>±0.25</td></tr> <tr><td>1 PLC</td><td>±0.25</td></tr> <tr><td>2 PLC</td><td>±0.25</td></tr> <tr><td>3 PLC</td><td>±</td></tr> <tr><td>4 PLC</td><td>±</td></tr> </table>		0 PLC	±0.25	1 PLC	±0.25	2 PLC	±0.25	3 PLC	±	4 PLC	±	MODEL NAME	DESC 2X6 S8V89 10/100 PoE W/O LED
0 PLC	±0.25												
1 PLC	±0.25												
2 PLC	±0.25												
3 PLC	±												
4 PLC	±												
PRODUCT SPEC 108-104004	APPLICATION SPEC	MAGJACK STACK POE	SIZE A1										
		CAGE CODE	DRAWING NO 1840902										
		SCALE NTS	SHEET 3 OF 3										
		CUSTOMER DRAWING	REV J										