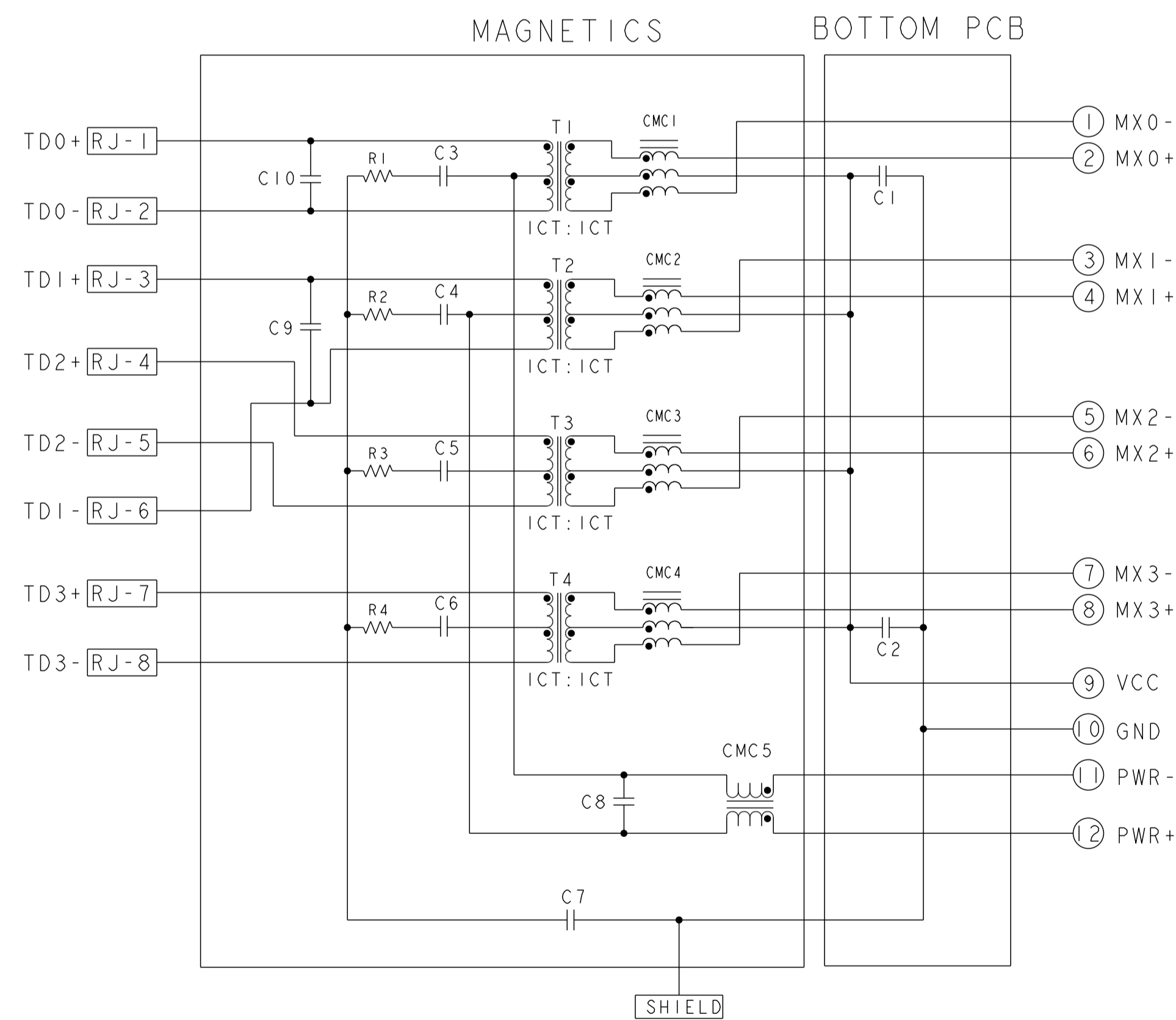


- MATERIALS:**
 PLASTIC HOUSING: BLACK, THERMOPLASTIC FLAMMABILITY RATING UL 94V-0
 SHIELD: BRASS, PREPLATED WITH 0.76um MIN SEMI-BRIGHT NICKEL,
 POST DIPPED WITH 2.54um MIN SAC SOLDER ON SOLDER TAILS,
 CONTACTS: PHOSPHOR BRONZE, 1.27um MIN OVERALL NICKEL UNDERPLATE
 WITH SELECT 1.27um MIN GOLD AT MATING INTERFACE AND 2.54um MIN
 MATTE TIN ON SOLDER TAILS.
 LED: DIFFUSED EPOXY LENS, CARBON STEEL LEAD FRAME TAILS OF LED
 ARE PREPLATED WITH 2.03um MIN SILVER OVER 1.02um MIN NICKEL
 UNDERPLATE OVER 1.02um MIN COPPER UNDERPLATE. POST-PLATED WITH
 2.54um MIN MATTE TIN AND/OR SAC SOLDER DIP OR PURE TIN SOLDER DIP
- MAGNETICS:**
 APPLICATION: 10/100/1000 BASE-T, PoE PLUS
 IMPEDANCE: 100ohms
 TURNS RATIO (CHIP:CABLE): 1:1 ALL FOUR PAIRS
 OPEN CIRCUIT INDUCTANCE (OCL): 350uH MIN @100KHz, 0.1VRMS,
 18mA DC BIAS FROM 0°C TO 70°C, ACROSS RJ1 ~ RJ2 & RJ3 ~ RJ6;
 8mA DC BIAS FROM 0°C TO 70°C, ACROSS RJ4 ~ RJ5 & RJ7 ~ RJ8.
 ALL FOUR PAIRS BI-DIRECTIONAL
 POE CURRENT: 600mA DC MAX
 PERFORMANCE @25°C:
 INSERTION LOSS (IL): 1.1dB MAX FROM 1.0MHz TO 100MHz
 RETURN LOSS (RL): 18dB MIN FROM 1.0MHz TO 40MHz
 12-20LOG(f/80)dB MIN FROM 40.1MHz TO 100MHz
 CROSSTALK ATTENUATION: 35dB MIN FROM 1.0MHz TO 40MHz
 33-20LOG(f/50)dB MIN FROM 40.1MHz TO 100MHz
 COMMON MODE REJECTION RATIO (CMRR):
 30dB MIN FROM 1.0MHz TO 100MHz
 ISOLATION VOLTAGE: 1500VAC(MAX) AT 60Hz FOR 60 SECONDS WITH ALL PORTS CONNECTED.
- PART NUMBER, DATE CODE AND COUNTRY OF ORIGIN LOCATED IN APPROXIMATE AREA SHOWN
 DATE CODE: YYWW WHERE "YY" IS YEAR, "WW" IS WORK WEEK, "D" IS DAY OF WEEK,
 WITH SUNDAY =1
- TRP CONNECTOR LOGO AND AGENCY APPROVAL LOGO ARE LOCATED
 IN APPROXIMATE AREA SHOWN.
- OPERATING TEMP: FROM 0°C TO 70°C.
- RJ45 CAVITY CONFORMS TO FCC RULES AND REGULATION PART 68 SUBPART F.
- INDICATED MAGNETIC CONNECTIONS ARE SYMMETRICAL AND SUPPORT AUTO-MDI/MDIX.
- DATUM AND BASIC DIMENSION ESTABLISHED BY CUSTOMER.
- DIMENSION ESTABLISHED BY CUSTOMER, BUT MAY NOT BE
 GREATER THAN 5.08mm.
- LEDs ARE DRIVEN WITH CONSTANT CURRENT AT APPROX 20mA
 LED COLOR: DOMINANT WAVELENGTH (λD): GREEN 568 nm TYP. @ IF=20mA
 FORWARD VOLTAGE (VF): GREEN 2.2V TYP. @ IF=20mA
 DOMINANT WAVELENGTH (λD): YELLOW 588 nm TYP. @ IF=20mA
 FORWARD VOLTAGE (VF): YELLOW 2.1V TYP. @ IF=20mA
- THESE PARTS ARE RECOMMENDED FOR WAVE SOLDERING PROCESS, PEAK TEMPERATURE 260°C
 FOR 5 SECONDS

S9HG49D GIGABIT POE PLUS CIRCUIT

TOP AND BOTTOM PORTS



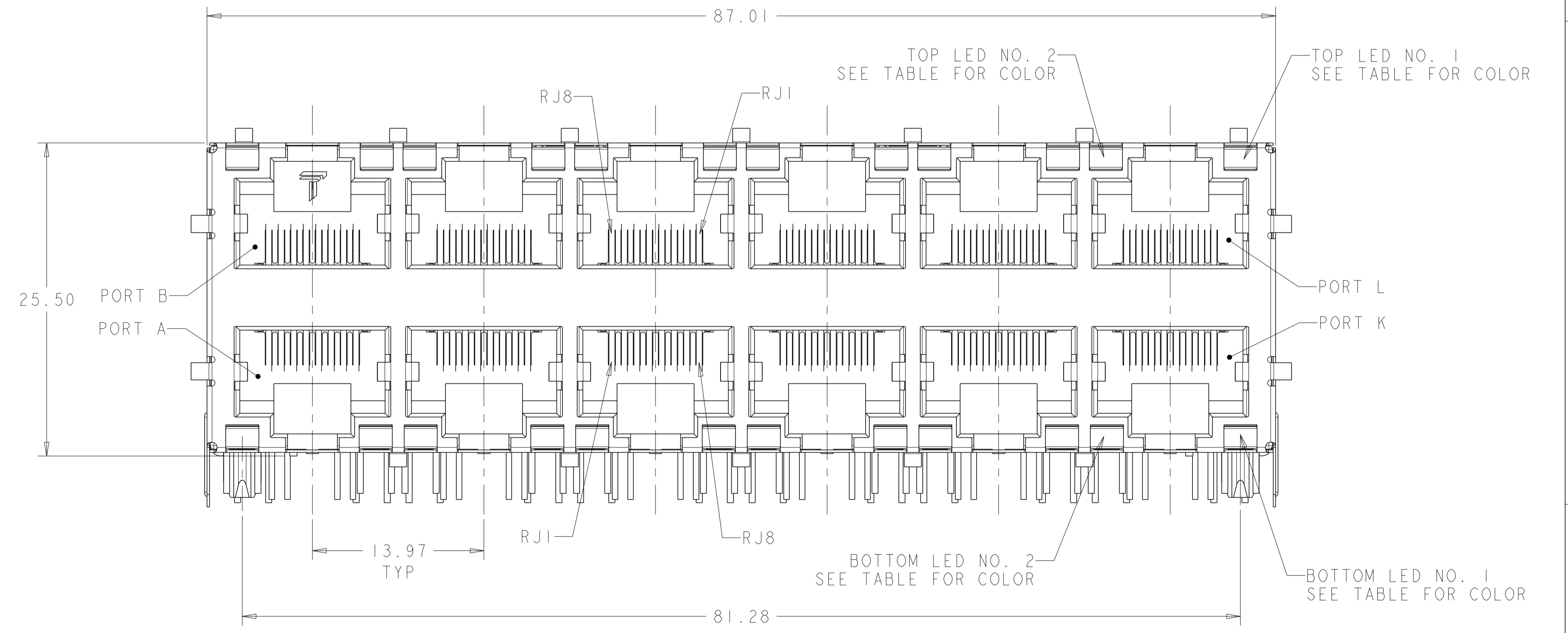
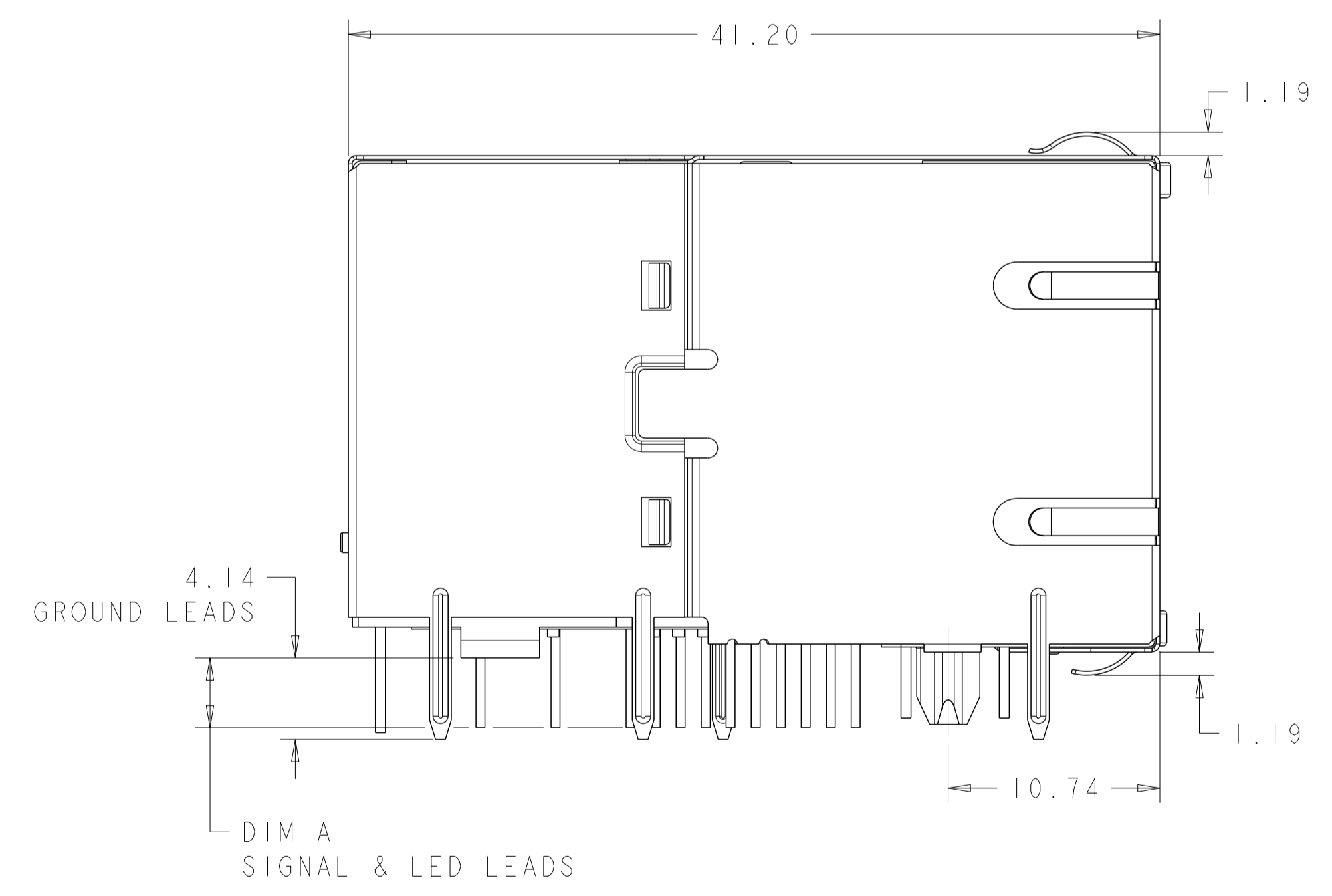
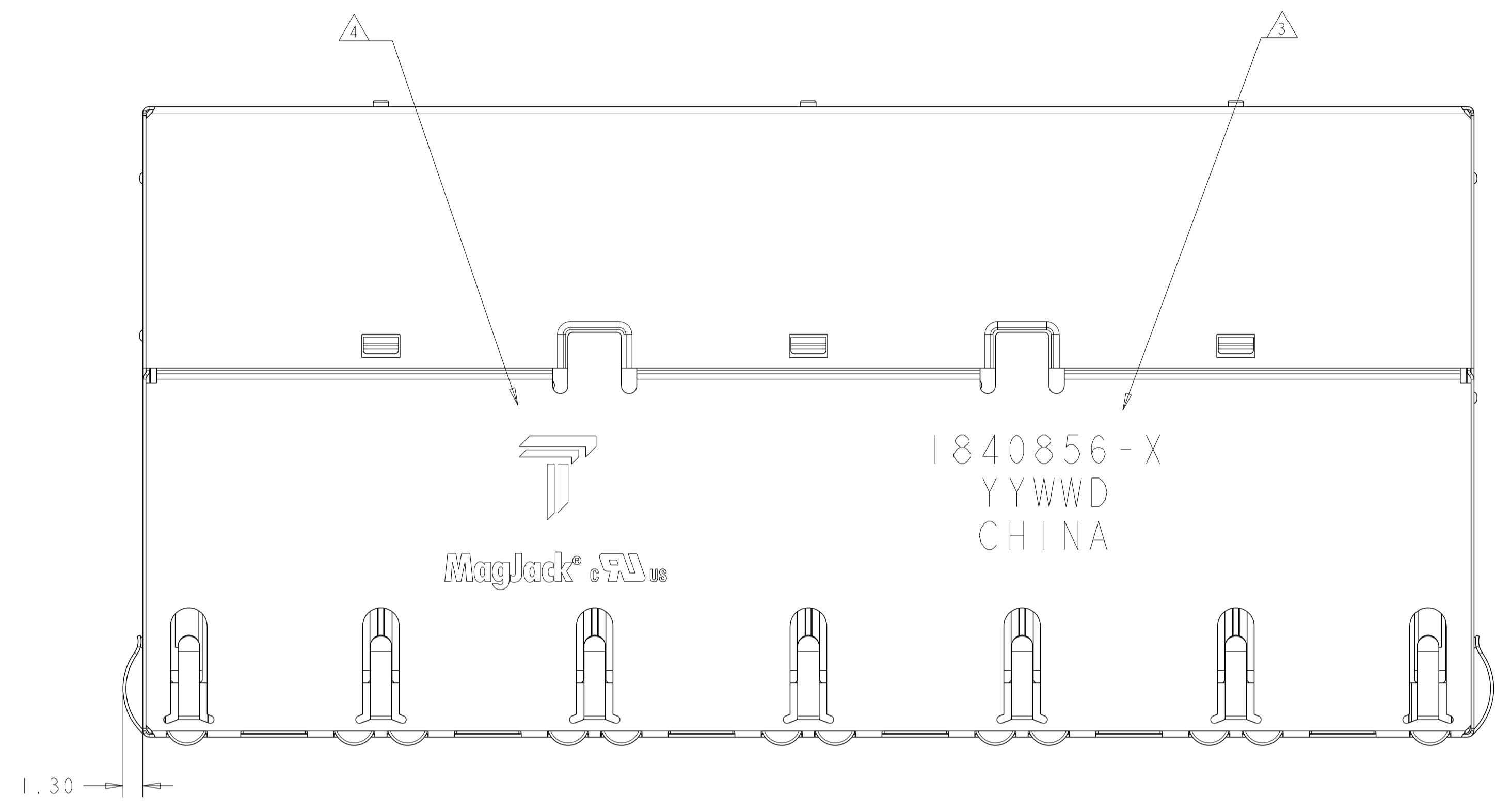
C1-C2=10NF, 50V, CAPACITORS
 C3-C6=22NF, 100V, CAPACITORS
 C7=1000PF, 3KV, CAPACITORS
 C8=68NF, 100V, CAPACITORS
 C9-C10=3.3PF, 50V,
 0402, CAPACITORS
 R1-R4=75 OHM, 1/16W, RESISTORS

THIS PRODUCT HAS NOT COMPLETED
 VALIDATION/QUALIFICATION TESTING

2.60	GREEN/YELLOW	GREEN/YELLOW	GREEN/YELLOW	GREEN/YELLOW	1840856-2
3.04	GREEN/YELLOW	GREEN/YELLOW	GREEN/YELLOW	GREEN/YELLOW	1840856-1
DIM A	BOTTOM LED NO. 2	BOTTOM LED NO. 1	TOP LED NO. 2	TOP LED NO. 1	PART NO.

DIMENSIONS:		TOLERANCES UNLESS OTHERWISE SPECIFIED:		THIS DRAWING IS A CONTROLLED DOCUMENT.	
mm		0 PLC	±0.25	DRW	RECK LI/SEAN HE 17NOV2010
		2 PLC	±0.25	CHK	TONY YUAN 17NOV2010
		3 PLC	±0.25	APPD	KEITH ZHU 17NOV2010
		4 PLC	±	MODEL NAME	
		ANGLES	±	DESC	2X6 S9HG49D GIGABIT PoE+ W/ LED
PRODUCT SPEC	108-104004	APPLICATION SPEC		SIZE	A1
CUSTOMER DRAWING			SCALE	4:1	SHEET 1 OF 5

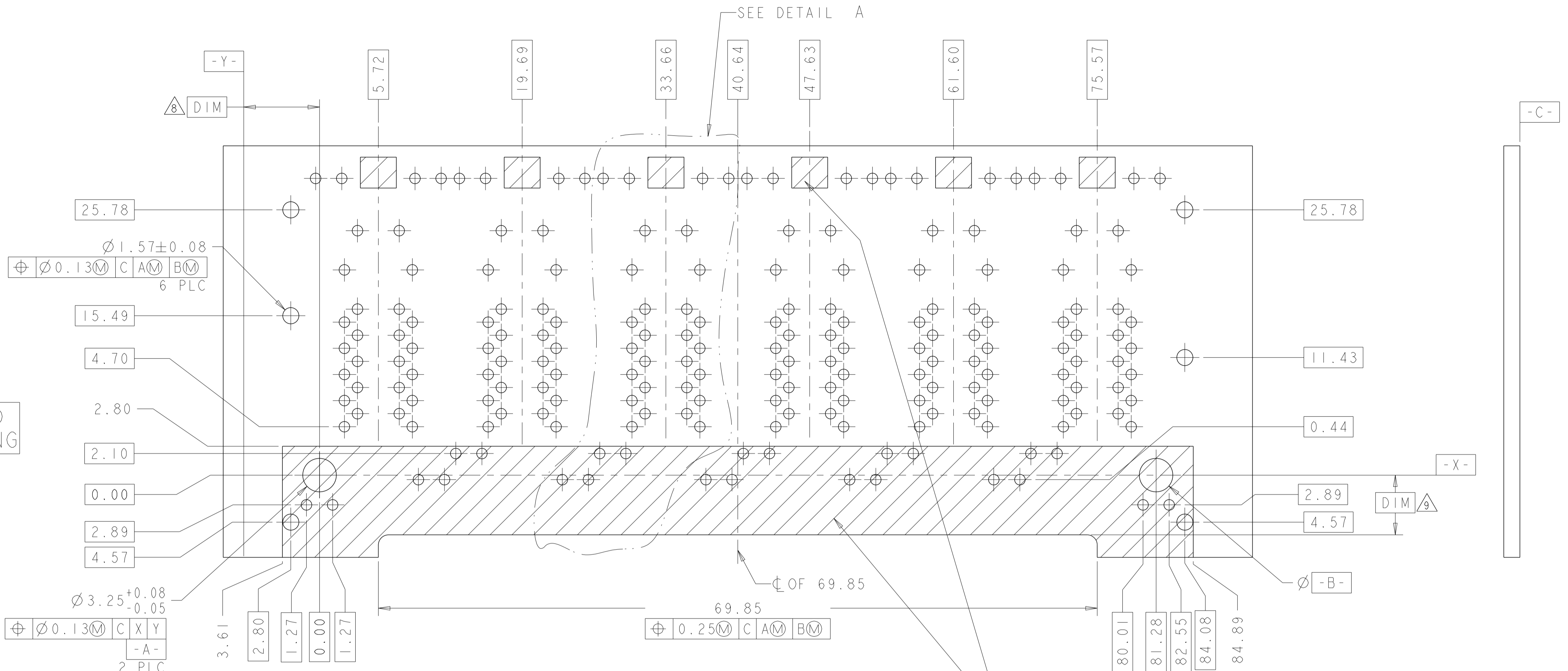
DONGGUAN CHINA	
MAGJACK STACK PoE+	DRAWING NO 1840856



THIS PRODUCT HAS NOT COMPLETED
VALIDATION/QUALIFICATION TESTING

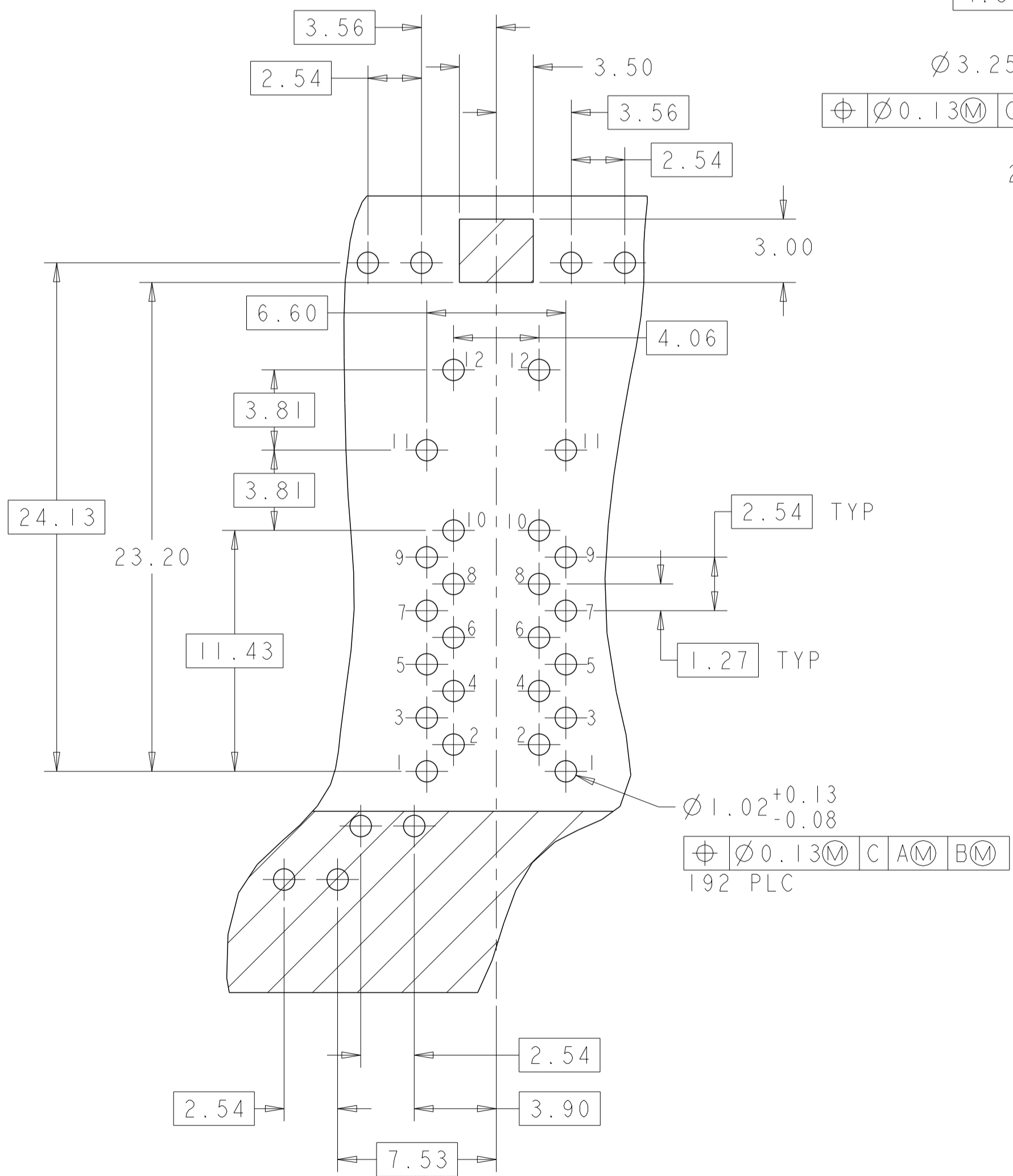
THIS DRAWING IS A CONTROLLED DOCUMENT.		DRW: RICK LI/SEAN HE 17NOV2010	trp CONNECTOR a bel group DONGGUAN CHINA
DIMENSIONS: mm		CHK: TONY YUAN 17NOV2010	
TOLERANCES UNLESS OTHERWISE SPECIFIED:		APP'D: KEITH ZHU 17NOV2010	
0 PLC ±0.25	1 PLC ±0.25	2 PLC ±0.25	MODEL NAME: MAGJACK
3 PLC ±	4 PLC ±	ANGLES ±	DESC: 2X6 S9HG49D GIGABIT PoE+ W/ LED
PRODUCT SPEC: 108-104004	APPLICATION SPEC: -	CUSTOMER DRAWING	SIZE: A1
		SCALE: 4:1	SHEET 2 OF 5
		REV: 3	

THIS PRODUCT HAS NOT COMPLETED
 VALIDATION/QUALIFICATION TESTING

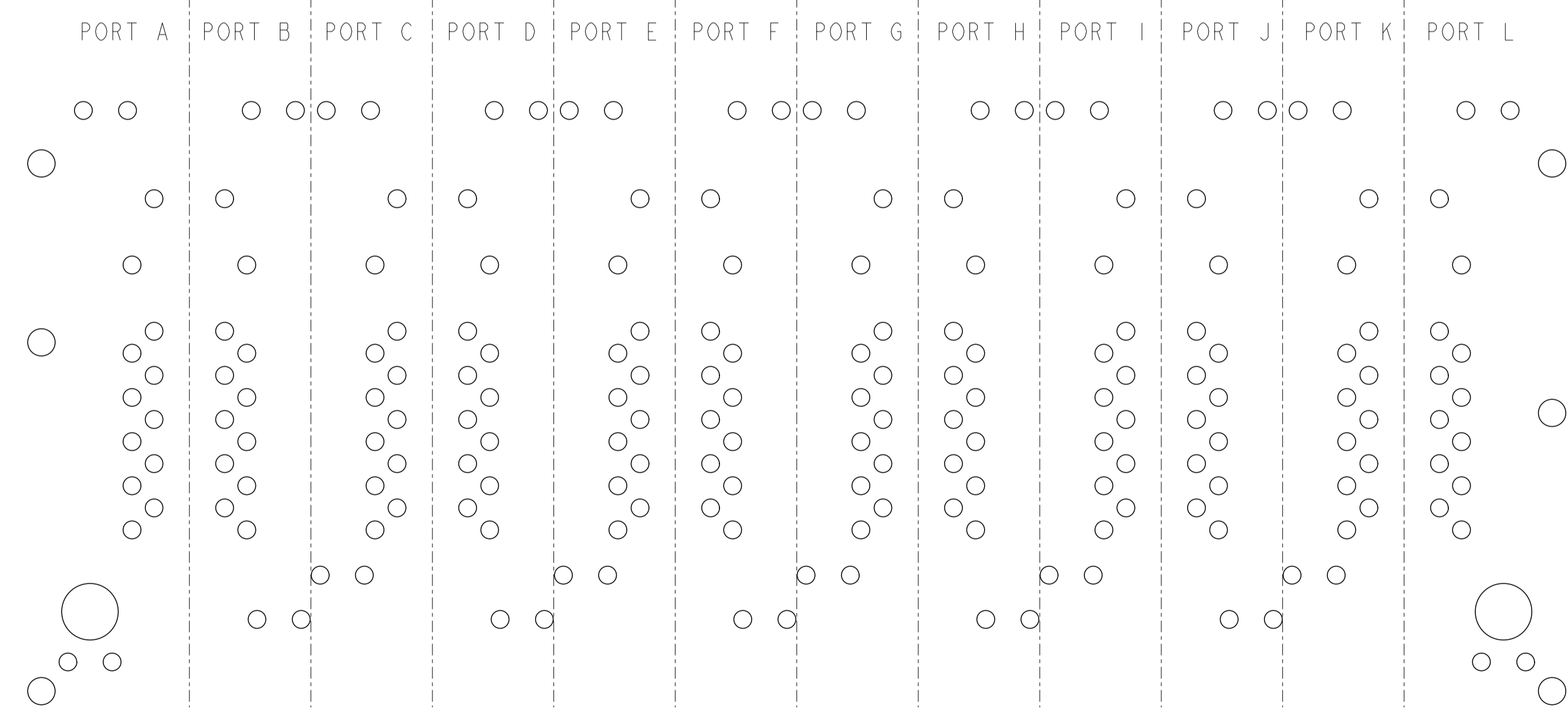


RECOMMENDED CUSTOMER PCB LAYOUT
 VIEWED FROM COMPONENT SIDE

IT IS RECOMMENDED THAT SHADED AREAS ON CUSTOMER
 PC BOARD BE CLEAR OF ANY VIA HOLE, COMPONENT, CIRCUIT
 TRACE WHICH HAS EQUAL POTENTIAL WITH CABLE SIDE
 SIGNAL AND POE SIGNAL

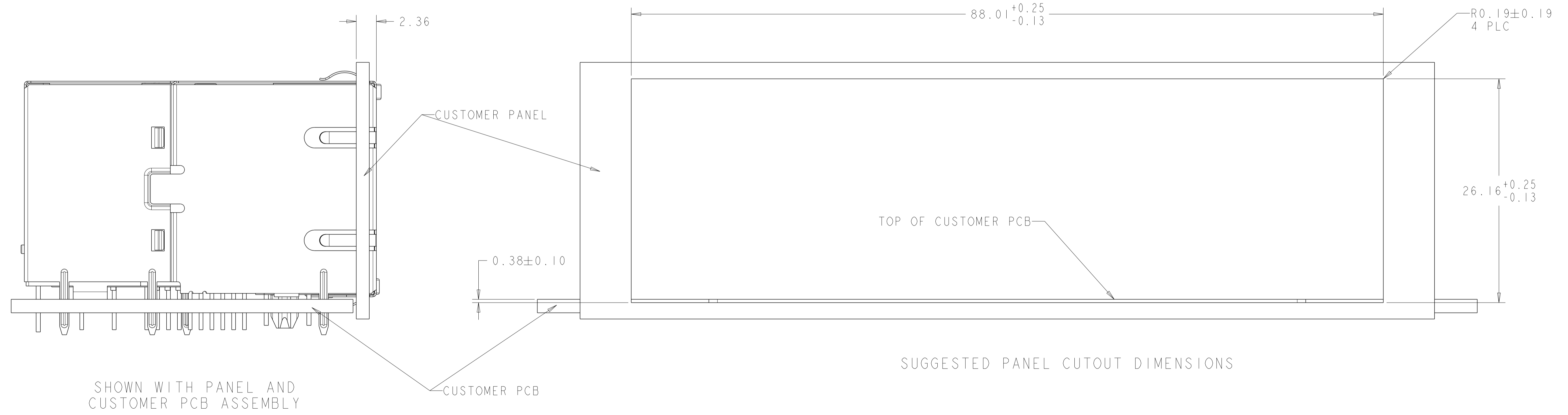
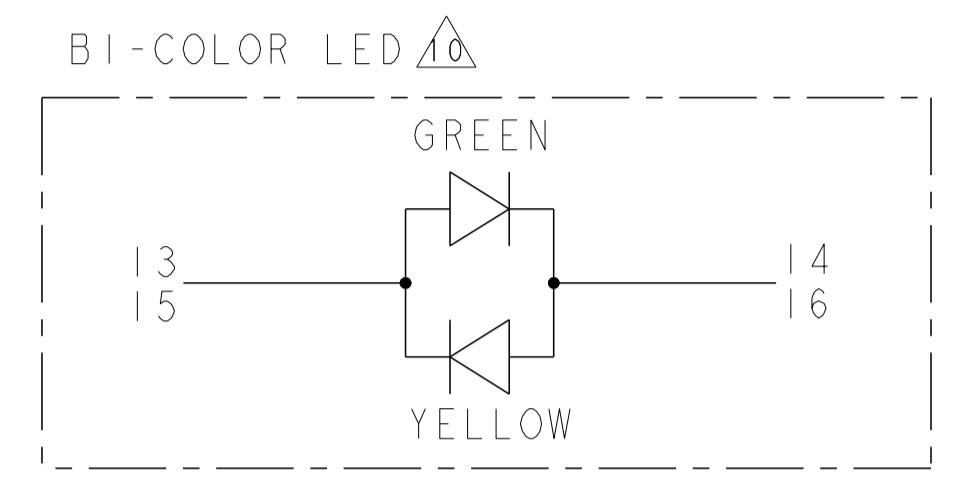
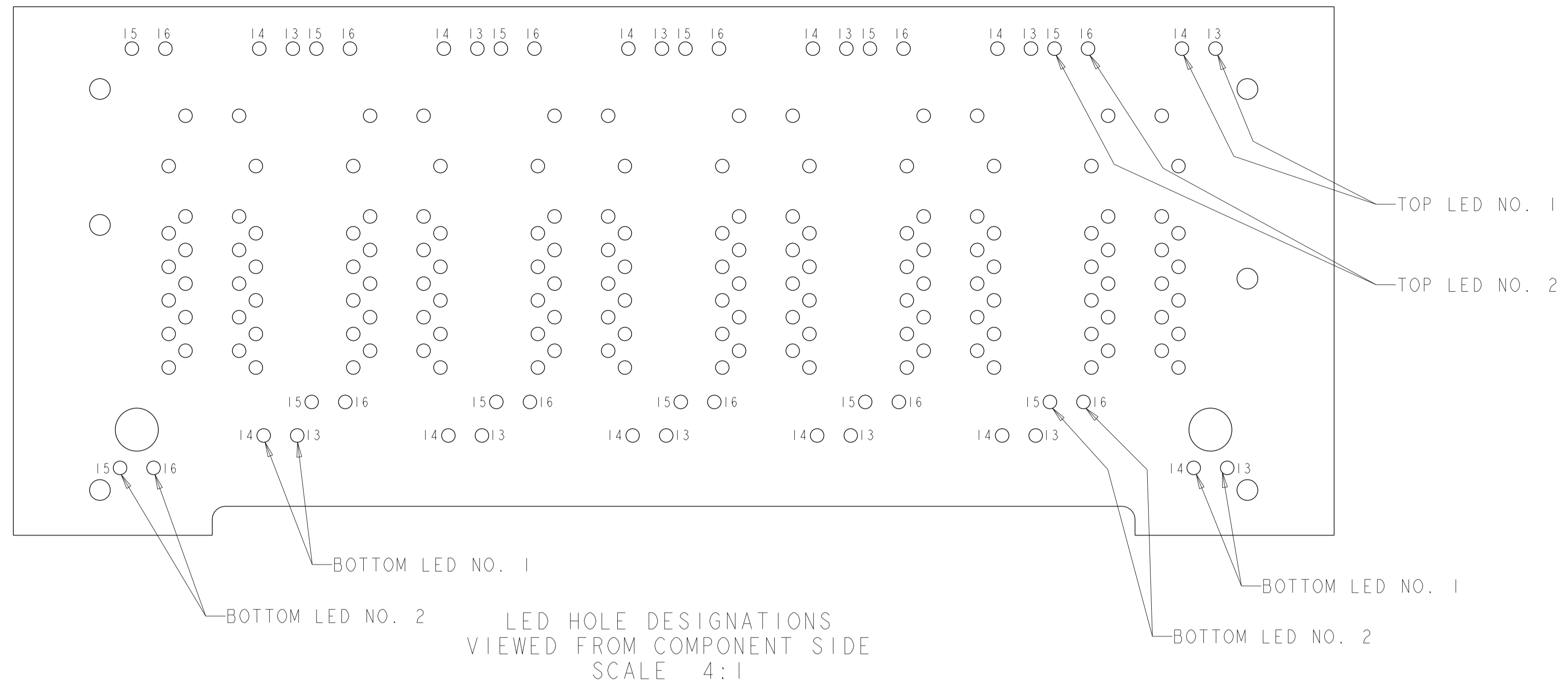


DETAIL A
 SCALE 5:1



PORT ASSIGNMENT
 VIEWED FROM COMPONENT SIDE
 SCALE 4:1

THIS DRAWING IS A CONTROLLED DOCUMENT.		DRW: RICK LI/SEAN HE 17NOV2010		DONGGUAN CHINA
DIMENSIONS: mm		CHK: TONY YUAN 17NOV2010		
TOLERANCES UNLESS OTHERWISE SPECIFIED:		APPR: KEITH ZHU 17NOV2010		DESC: 2X6 S9HG49D GIGABIT PoE+ W/ LED SIZE: A1 CAGE CODE: 1840856 DRAWING NO: 108-104004
0 PLC ±0.25 1 PLC ±0.25 2 PLC ±0.25 3 PLC ±0.25 4 PLC ±0.25 ANGLES ±		MODEL NAME: MAGJACK STACK PoE+		
PRODUCT SPEC: 108-104004		APPLICATION SPEC: -		RESTRICTED TO: - SCALE: 4:1 SHEET 3 OF 5 REV 3




THIS PRODUCT HAS NOT COMPLETED
VALIDATION/QUALIFICATION TESTING

THIS DRAWING IS A CONTROLLED DOCUMENT.		DWR: RICK LI/SEAN HE 17NOV2010		trp CONNECTOR DONGGUAN CHINA
DIMENSIONS: mm		CHK: TONY YUAN 17NOV2010		
TOLERANCES UNLESS OTHERWISE SPECIFIED:		APVD: KEITH ZHU 17NOV2010		DESC: 2X6 S9HG49D GIGABIT PoE+ W/ LED
0 PLC ±0.25	1 PLC ±0.25	MODEL NAME: MAGJACK		SIZE: A1
2 PLC ±0.25	3 PLC ±	APPLICATION SPEC: STACK PoE+		CAGE CODE: C=1840856
4 PLC ±	ANGLES ±	CUSTOMER DRAWING		SCALE: 4:1 SHEET 4 OF 5 REV 3
PRODUCT SPEC: 108-104004	APPLICATION SPEC: -			

1840856					STOCK DISPOSITION			
2X6 MAG45(TM), GIGABIT S9HG49D PoE PLUS CIRCUIT, WAVE PANEL, GROUND SHIELD, W/LEDS, AUTO-WELDING					A: CONTINUE AS IS		D: USE OLD FIRST	
REVISION HISTORY					B: REWORK		E: PARTS TO CONFORM	
					C: SCRAP		F: OTHER	
DATE	REV	CHANGES	REASON	APPROVAL	INVENTORY (A.B.C.D.E.F)	WORK IN PROCESS (A.B.C.D)	SUPPLIER ORDERS (A.E.F.)	OPEN CUST ORDERS (A.E.F)
17NOV2010	1	INITIAL RELEASE	INITIAL RELEASE	KZ	-	-	-	-
04JUL2013	2	LOGO CHANGE	MARKET REQUIREMENTS	TY	-	-	-	-

THIS PRODUCT HAS NOT COMPLETED
VALIDATION/QUALIFICATION TESTING

THIS DRAWING IS A CONTROLLED DOCUMENT.		DWG RICK LI/SEAN HE	17NOV2010		trp CONNECTOR	DONGGUAN CHINA
DIMENSIONS: mm		CHK TONY YUAN	17NOV2010			
TOLERANCES UNLESS OTHERWISE SPECIFIED:		APP'D KEITH ZHU	17NOV2010	DESC 2X6 S9HG49D GIGABIT PoE+ W/ LED		
0 PLC ±0.25 1 PLC ±0.25 2 PLC ±0.25 3 PLC ± 4 PLC ± ANGLES ±		MODEL NAME MAGJACK		SIZE A1	CAGE CODE	DRAWING NO C=1840856
PRODUCT SPEC 108-104004		APPLICATION SPEC -		RESTRICTED TO -		
CUSTOMER DRAWING				SCALE 4:1	SHEET 5	OF 5
				REV 3		