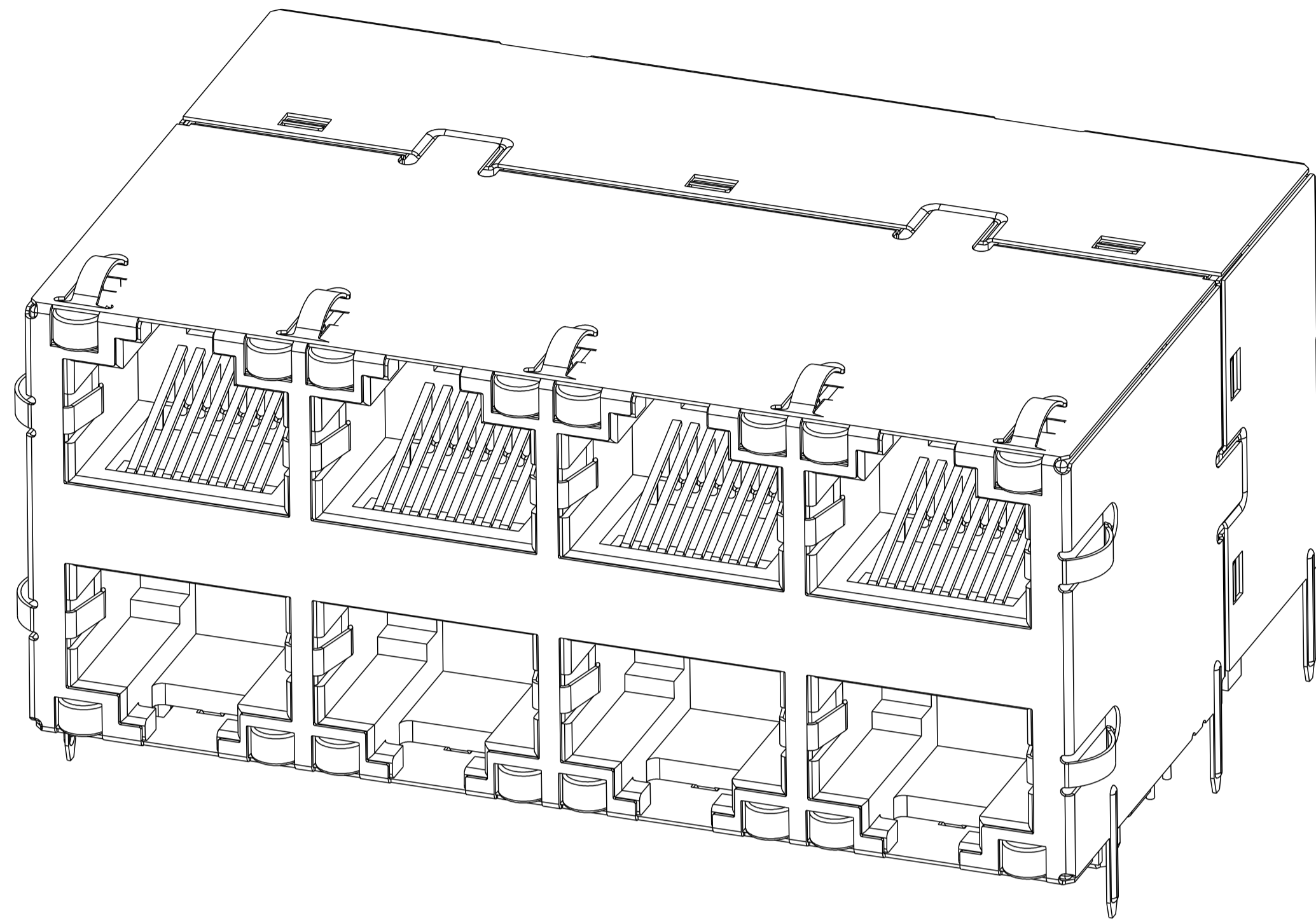


THIS DRAWING AND THE SUBJECT MATTER SHOWN THEREON ARE CONFIDENTIAL AND THE PROPERTY OF BEL/STEWART/TRP CONNECTOR AND SHALL NOT BE REPRODUCED, COPIED, OR USED IN ANY MANNER WITHOUT THE WRITTEN CONSENT OF TRP CONNECTOR.

PRODUCT MAY BE PROTECTED BY ONE OR MORE OF THE FOLLOWING US PATENTS:
 5736910 5939955 6425781 6428361 6554638 6840817 7123117
 7429195 7717749 7808751 6217391 6149050 7924130

REVISIONS				
P	LTN	DESCRIPTION	DATE	APPD
D		EC-1411035 COMPANY LOGO CHANGE	28DEC2014	GZ TY



1. MATERIALS:
 PLASTIC HOUSING: BLACK, THERMOPLASTIC FLAMMABILITY RATING UL 94V-0
 SHIELD: BRASS, PREPLATED WITH 0.76um MIN SEMI-BRIGHT NICKEL, POST DIPPED WITH 2.54um MIN SAC SOLDER OR PURE TIN SOLDER ON SOLDER TAILS
 CONTACTS: PHOSPHOR BRONZE, 1.27um MIN OVERALL NICKEL UNDERPLATE, WITH SELECT 0.05um MIN GOLD OVER 0.76um MIN PALLADIUM-NICKEL AT MATING INTERFACE AND 2.54um MIN MATTE TIN ON SOLDER TAILS.
 LED: DIFFUSED EPOXY LENS, CARBON STEEL LEAD FRAME TAILS OF LED ARE PREPLATED WITH 2.03um MIN SILVER OVER 1.02um MIN NICKEL UNDERPLATE OVER 1.02um MIN COPPER UNDERPLATE. POST-PLATED WITH 2.54um MIN MATTE TIN AND/OR SAC SOLDER DIP OR PURE TIN SOLDER DIP

2. MAGNETICS
 APPLICATION: 10/100/1000 BASE-T, ULTRA PoE PLUS
 IMPEDANCE: 100 OHMS
 TURNS RATIO (CHIP:CABLE): 1:1 ALL FOUR PAIRS
 OPEN CIRCUIT INDUCTANCE (OCL):
 ALL CHANNELS 350uH MIN @ 100kHz, 0.1 VRMS WITH 8mA DC BIAS FROM -20°C TO 70°C,
 120uH MIN @ 100kHz, 0.1 VRMS WITH 21mA DC BIAS FROM -20°C TO 70°C
 ALL FOUR PAIRS BI-DIRECTIONAL
 POE CURRENT: 700mADC
 PERFORMANCE @ 25°C:
 INSERTION LOSS (IL): 1.1dB MAX FROM 0.5MHz TO 100MHz
 RETURN LOSS (RL): 18dB MIN FROM 0.5MHz TO 40MHz
 12-20LOG(f/80)dB MIN FROM 40.1MHz TO 100MHz
 CROSSTALK ATTENUATION: 35dB MIN FROM 0.5MHz TO 40MHz
 33-20LOG(f/50)dB MIN FROM 40.1MHz TO 100MHz
 COMMON MODE REJECTION RATIO (CMRR): 30dB MIN FROM 0.5MHz TO 100MHz
 ISOLATION VOLTAGE: 2250VDC(MAX) FOR 60 SECONDS WITH A RISE TIME OF 500V/SEC AND WITH ALL PORTS CONNECTED.

3. PART NUMBER, DATE CODE AND COUNTRY OF ORIGIN ARE LOCATED IN APPROXIMATE AREA SHOWN. DATE CODE: "YY" IS YEAR, "WW" IS WORK WEEK, "D" IS DAY OF WEEK, WITH SUNDAY=1

4. TRP CONNECTOR LOGO AND AGENCY APPROVAL LOGO ARE LOCATED IN APPROXIMATE AREA SHOWN.

5. OPERATING TEMP: FROM -20°C TO +70°C.

6. RJ45 CAVITY CONFORMS TO FCC RULES AND REGULATION PART 68 SUBPART F.

7. INDICATED MAGNETIC CONNECTIONS ARE SYMMETRICAL AND SUPPORT AUTO-MDI/MDIX.

8. DATUM AND BASIC DIMENSION ESTABLISHED BY CUSTOMER.

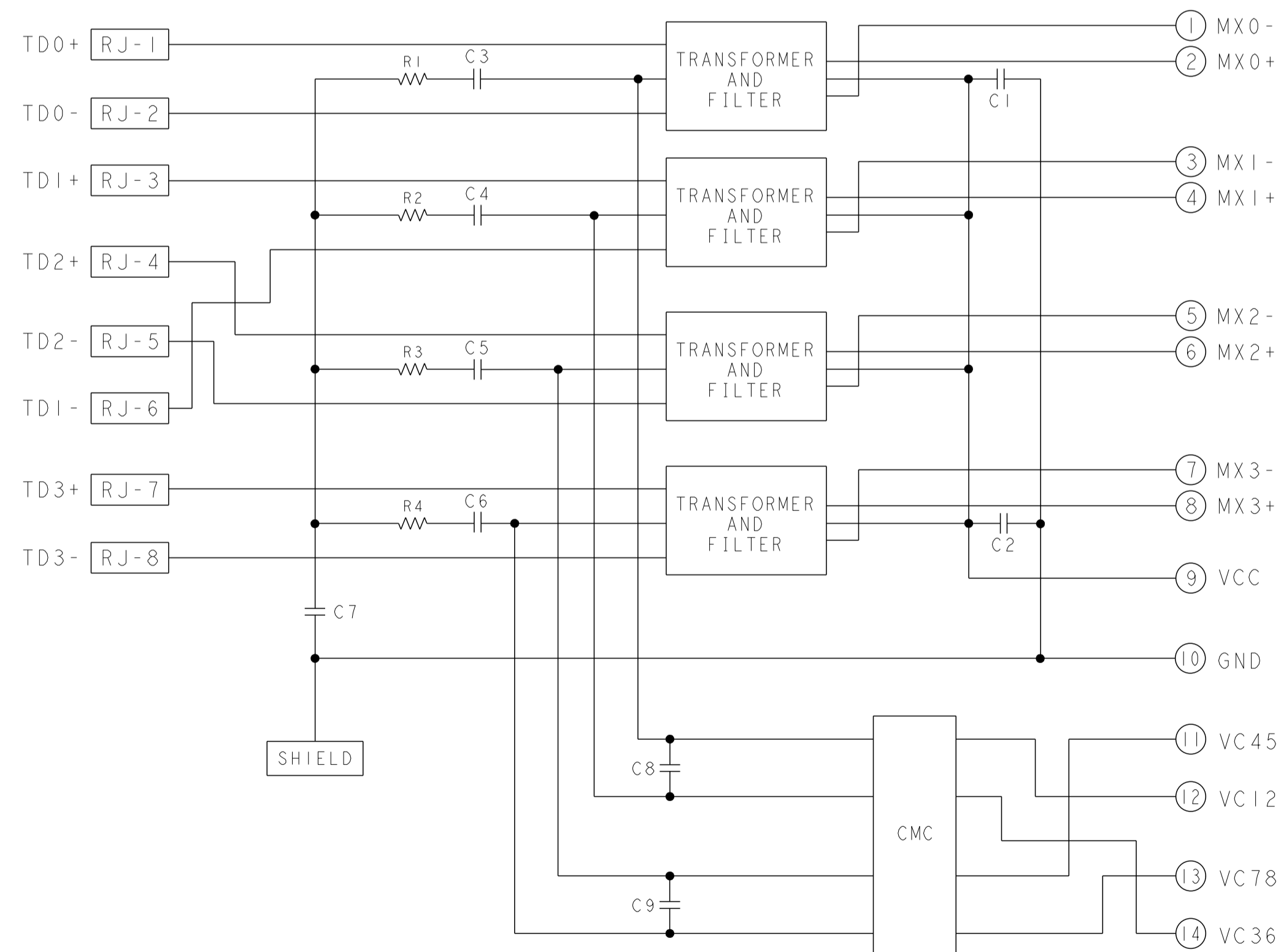
9. BASIC DIMENSION ESTABLISHED BY CUSTOMER, BUT MAY NOT BE GREATER THAN 5.08mm.

10. LEDS ARE DRIVEN WITH CONSTANT CURRENT AT APPROX 20mA
 LED COLOR: DOMINANT WAVELENGTH (λD): GREEN 568 nm TYP. @ IF=20mA
 FORWARD VOLTAGE (VF): GREEN 2.2V TYP. @ IF=20mA

11. THE PARTS ARE RECOMMENDED FOR WAVE SOLDERING PROCESS, PEAK TEMPERATURE 260°C MAX, 10 SECONDS MAX.

S9HG119 GIGABIT UPoE PLUS CIRCUIT

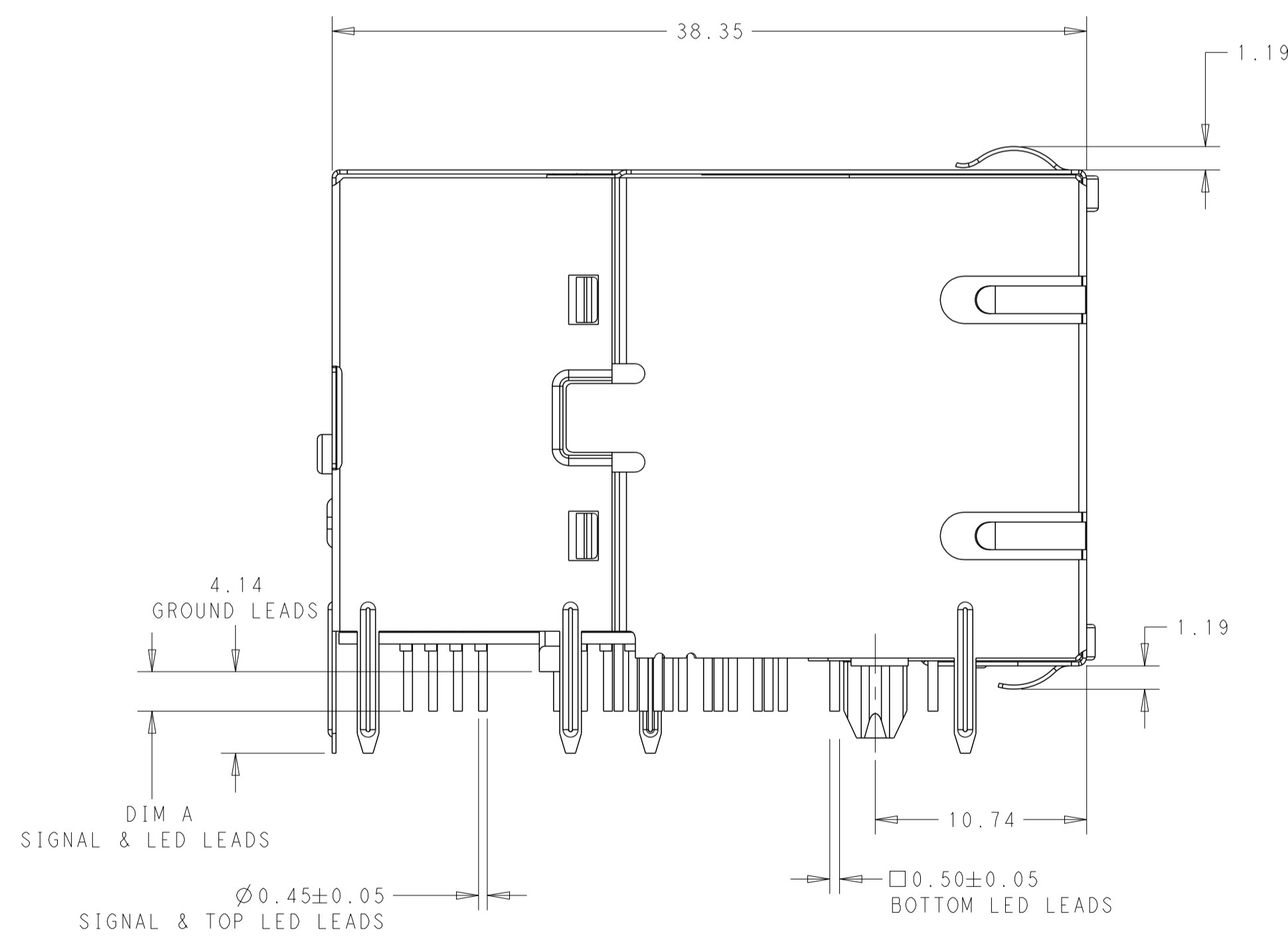
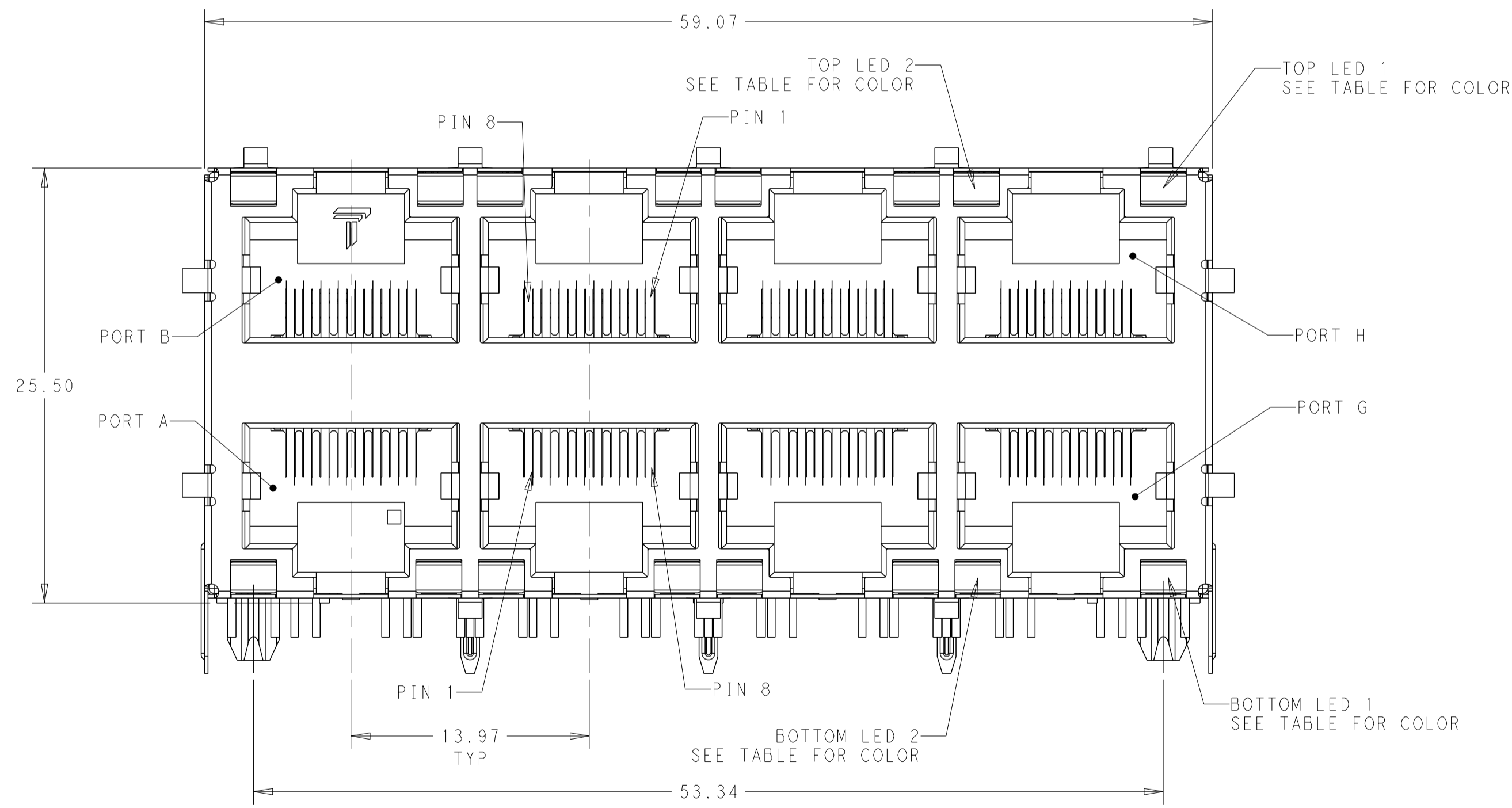
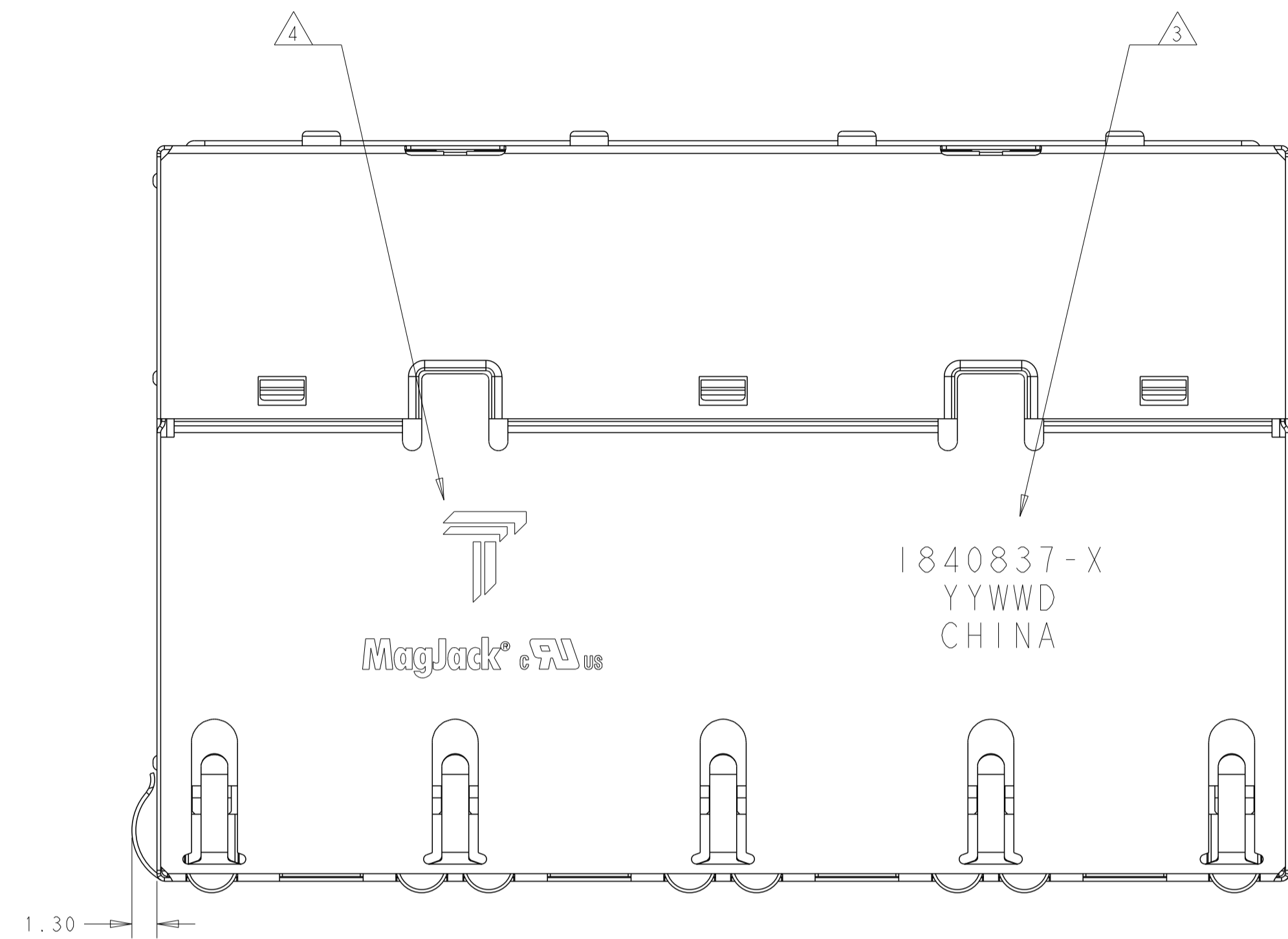
TOP AND BOTTOM PORTS



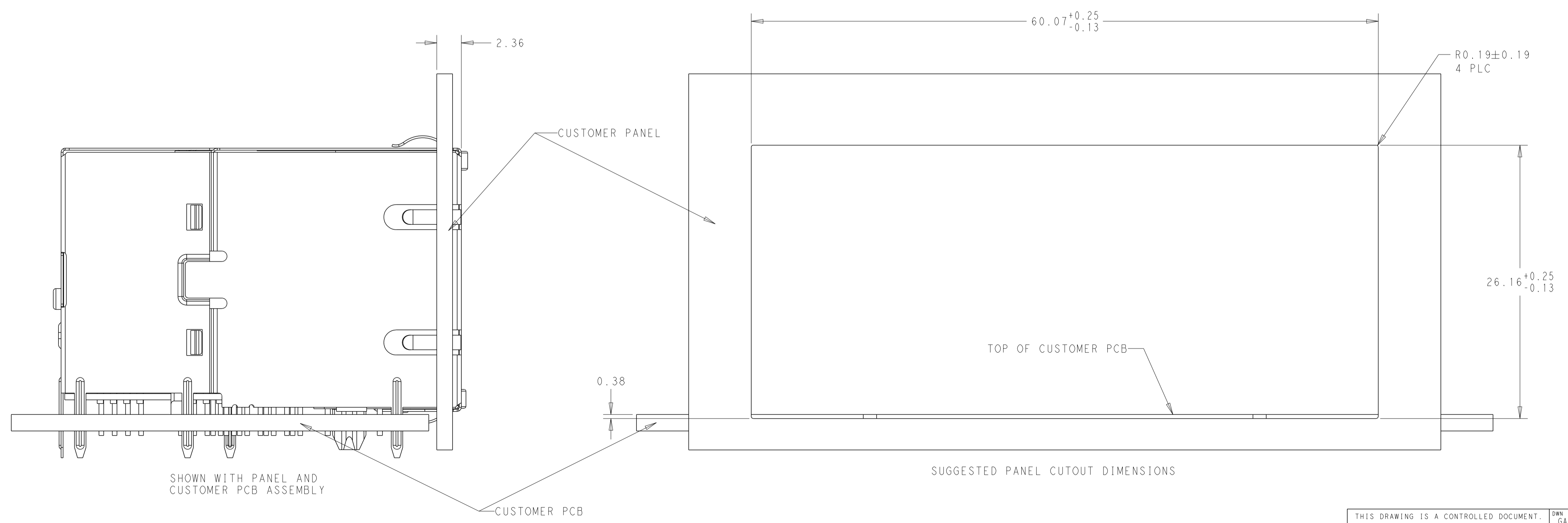
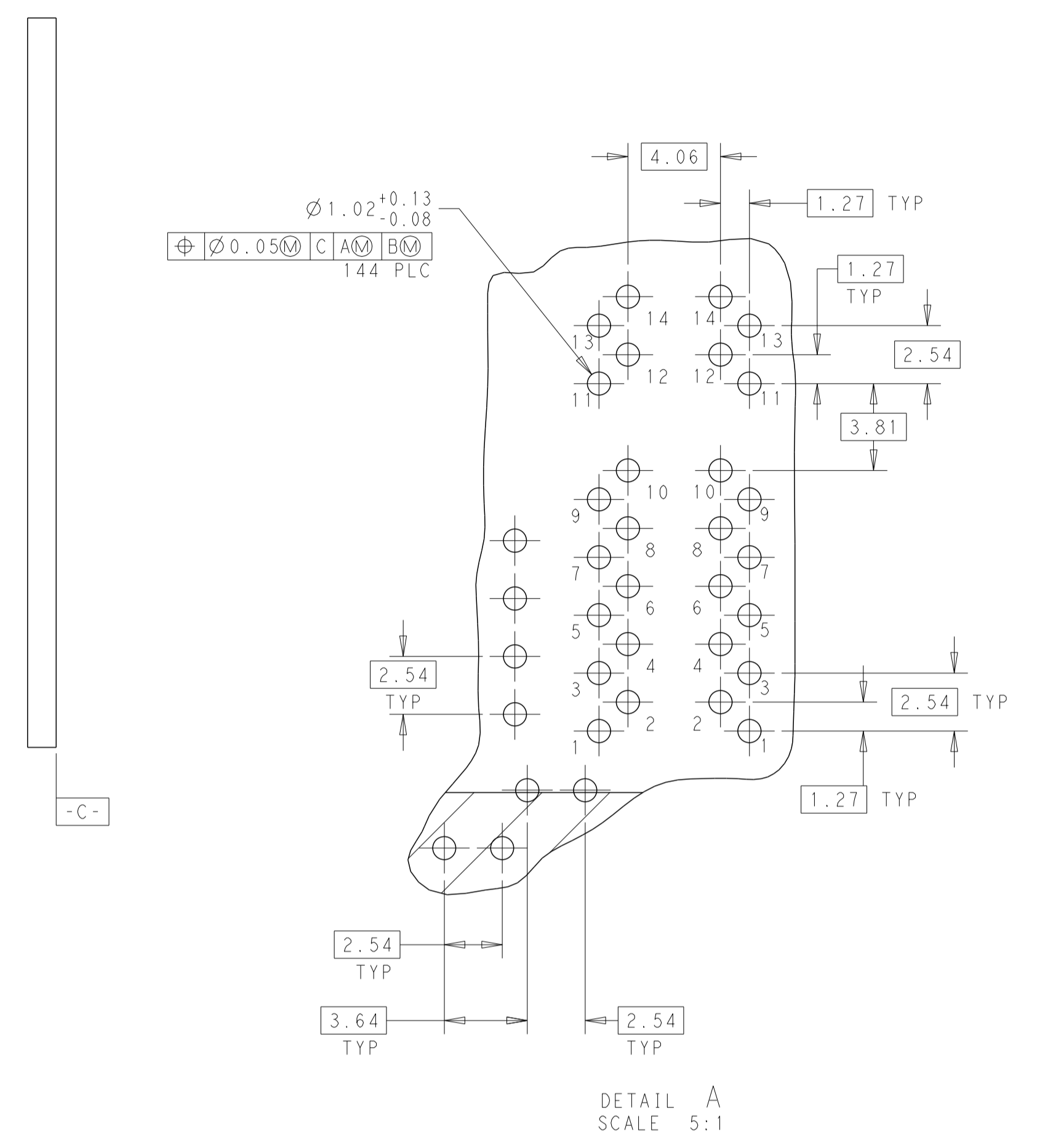
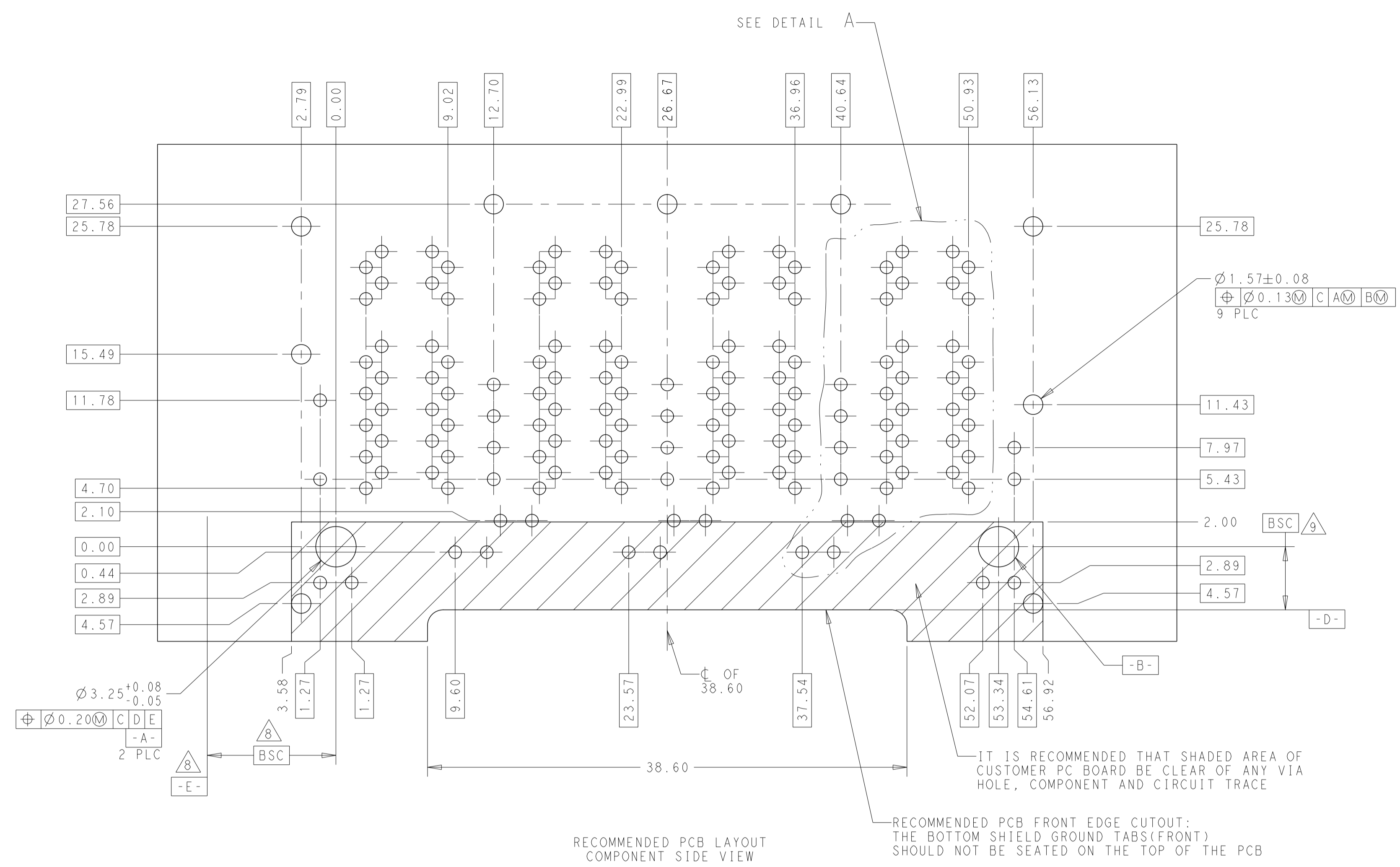
C1-C2 = 10nF, 50V, X7R, CAPACITORS
 C3-C6 = 22nF, 100V, CAPACITORS
 C7 = 1000pF, 2kV, CAPACITOR
 C8-C9 = 100nF, 100V, X7R, CAPACITORS
 R1-R4 = 75 Ohms, 1/16W, RESISTORS

2.00	GREEN	GREEN	GREEN	GREEN	1840837-1
DIM A	BOTTOM LED 2	BOTTOM LED 1	TOP LED 2	TOP LED 1	PART NUMBER

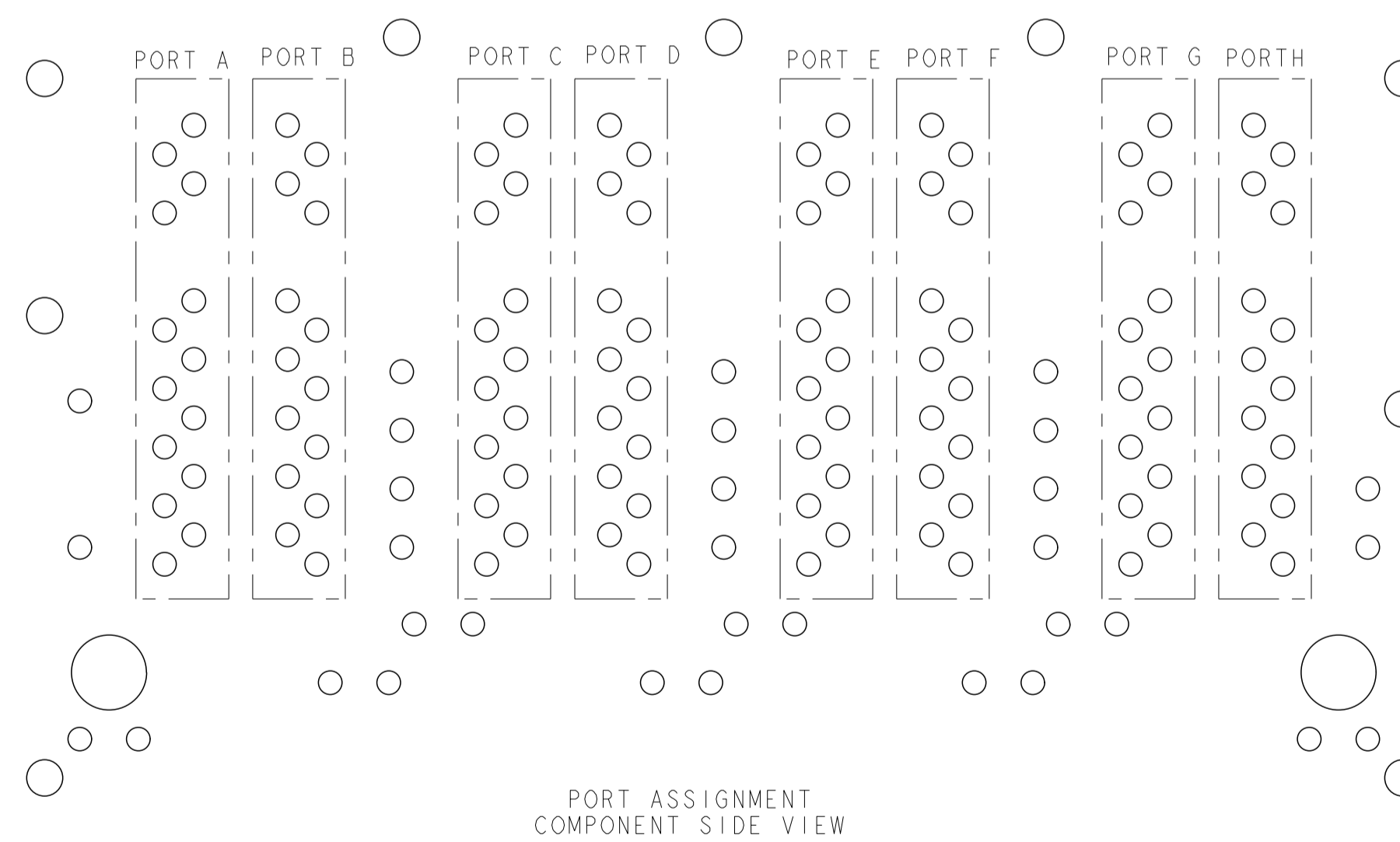
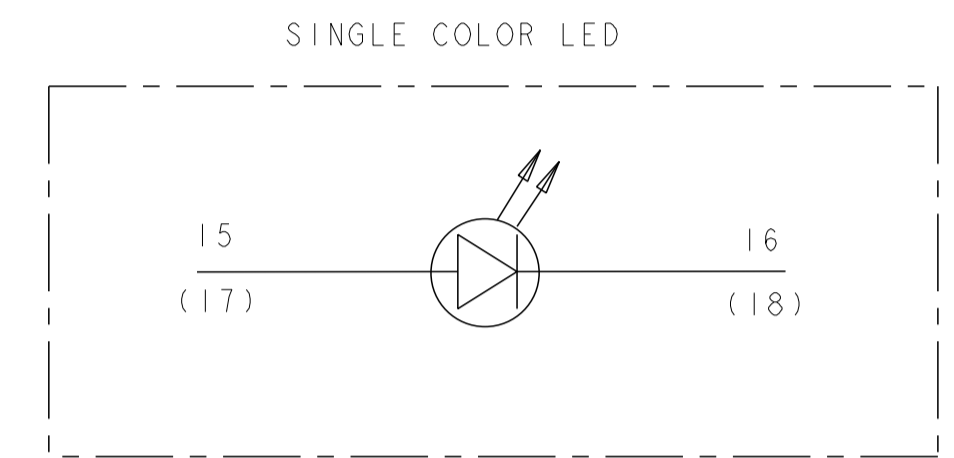
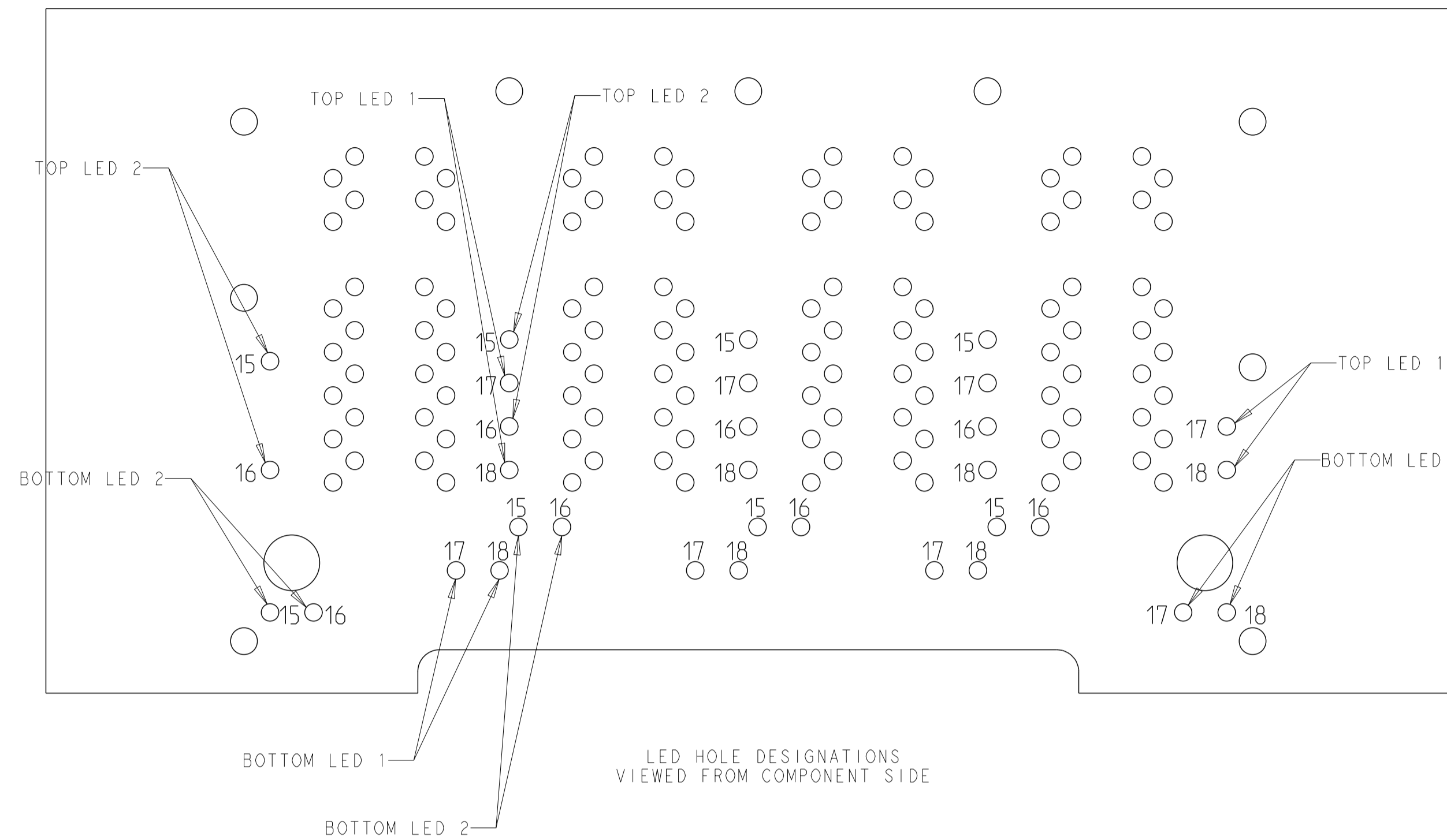
THIS DRAWING IS A CONTROLLED DOCUMENT.		DWN: GABRIEL ZHANG 28MAY2012 CHK: TOMMY REN 28MAY2012 APPD: KEITH ZHU 28MAY2012		DONGGUAN CHINA	
DIMENSIONS: mm		TOLERANCES UNLESS OTHERWISE SPECIFIED: 0 PLC ±0.25 1 PLC ±0.25 2 PLC ±0.25 3 PLC ± 4 PLC ± ANGLES ±		trp CONNECTOR	
PRODUCT SPEC: 108-104004		APPLICATION SPEC: -		MAGJACK STACK Non-PoE	
				DESC: 2X4 S9HG119 GIGABIT 4PPoE W/ LED	
				SIZE: A1	
				CAGE CODE: 1840837	
				CUSTOMER DRAWING	
				SCALE: 4:1 SHEET 1 OF 4 REV 9	



THIS DRAWING IS A CONTROLLED DOCUMENT.		DRW: 28MAY2012 GABRIEL ZHANG	<p>TRP CONNECTOR a bel group</p>	DONGGUAN CHINA
		CHK: 28MAY2012 TOMMY REN		
DIMENSIONS: mm		APD: 28MAY2012 KEITH ZHU MODEL NAME MAGJACK DESC: 2X4 S9HG119 GIGABIT 4PPoE W/ LED SIZE: A1 CAGE CODE: - DRAWING NO: 1840837 RESTRICTED TO: - CUSTOMER DRAWING SCALE: 4:1 SHEET 2 OF 4 REV 9		
TOLERANCES UNLESS OTHERWISE SPECIFIED: 0 PLC ±0.25 1 PLC ±0.25 2 PLC ±0.25 3 PLC ±0.25 4 PLC ± ANGLES ± PRODUCT SPEC: 108-104004 APPLICATION SPEC: -				



THIS DRAWING IS A CONTROLLED DOCUMENT.		DWN: 28MAY2012 GABRIEL ZHANG		trp CONNECTOR DONGGUAN CHINA
DIMENSIONS: mm		CHK: 28MAY2012 TOMMY REN		
TOLERANCES UNLESS OTHERWISE SPECIFIED:		APVD: 28MAY2012 KEITH ZHU		DESC: 2X4 S9HG119 GIGABIT 4PPoE W/ LED
0 PLC	±0.25	MODEL NAME: MAGJACK		SIZE: A1
1 PLC	±0.25	CUSTOMER DRAWING		CAGE CODE: 1840837
2 PLC	±0.25	SCALE: 4:1		SHEET 3 OF 4
3 PLC	±	REV: 9		
4 PLC	±			
ANGLES	±			
PRODUCT SPEC: 108-104004	APPLICATION SPEC: -			



THIS DRAWING IS A CONTROLLED DOCUMENT.		DWN: 28MAY2012 GABRIEL Z. TERRY LIN CHK: 28MAY2012 TOMMY REN APVD: 28MAY2012 KEITH ZHU		DONGGUAN CHINA
DIMENSIONS: mm 		TOLERANCES UNLESS OTHERWISE SPECIFIED: 0 PLC ±0.25 1 PLC ±0.25 2 PLC ±0.25 3 PLC ± 4 PLC ± ANGLES ± APPLICATION SPEC ±		
PRODUCT SPEC: 108-104004		SIZE: A1 CAGE CODE: C=1840837 DRAWING NO: 1840837		RESTRICTED TO: - SCALE: 4:1 SHEET: 4 OF 4 REV: 9
CUSTOMER DRAWING				