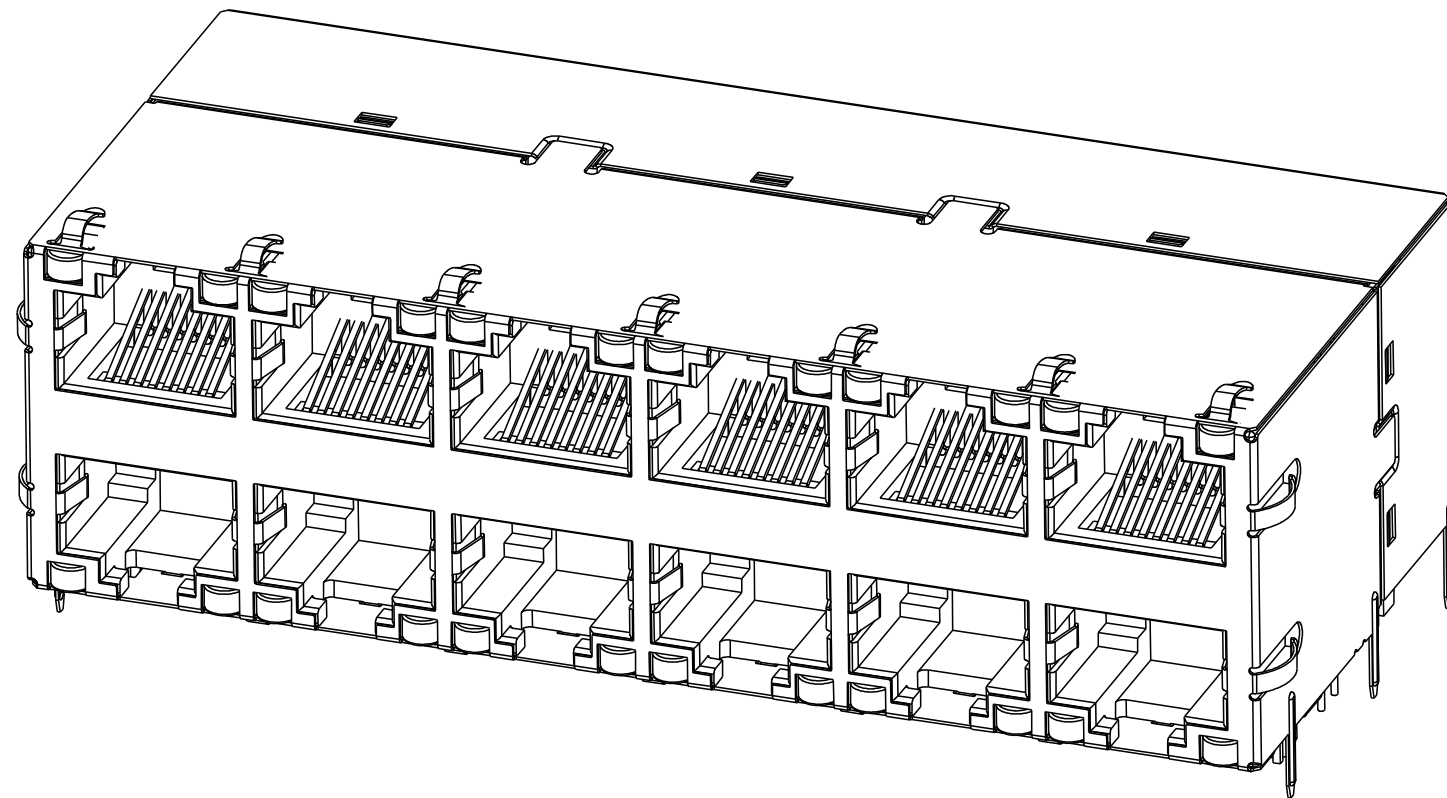


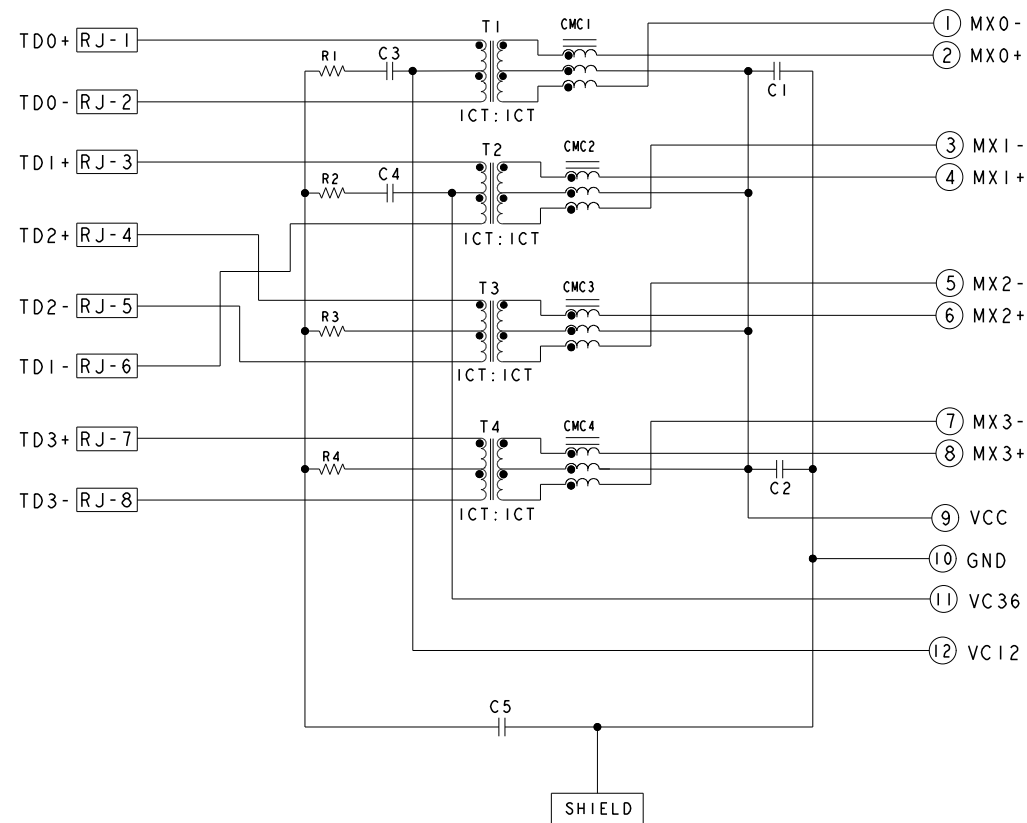
THIS DRAWING AND THE SUBJECT MATTER SHOWN THEREON ARE CONFIDENTIAL AND THE PROPERTY OF BEL/STEWART/TRP CONNECTOR AND SHALL NOT BE REPRODUCED, COPIED, OR USED IN ANY MANNER WITHOUT THE WRITTEN CONSENT OF TRP CONNECTOR.

PRODUCT MAY BE PROTECTED BY ONE OR MORE OF THE FOLLOWING US PATENTS:
 5736910 5939955 6425781 6428361 6554638 6840817 7123117
 7429195 7717749 7808751 6217391 6149050 7924130

REVISIONS				
#	LT#	DESCRIPTION	DATE	DWN APVD
B		LOGO CHANGE	17APR2013	RL KZ
C		EC-1306052 ADD A NEW PART NUMBER -1	30JUL2013	TR TY
D		EC-1411035 COMPANY LOGO CHANGE	20JAN2015	TR TY



S9HG115 GIGABIT PoE PLUS CIRCUIT $\triangle\triangle$
 TOP AND BOTTOM PORTS



C1 - C2 = 10nF, 50V, CAPACITORS
 C3 - C4 = 22nF, 100V, CAPACITORS
 C5 = 1000pF, 2kV, CAPACITOR
 R1 - R4 = 75 Ohms, RESISTORS

- MATERIALS:
 PLASTIC HOUSING: BLACK, THERMOPLASTIC FLAMMABILITY RATING UL 94V-0
 SHIELD: BRASS, PREPLATED WITH 0.76um MIN SEMI-BRIGHT NICKEL, POST DIPPED WITH 2.54um MIN SAC SOLDER OR PURE TIN SOLDER ON SOLDER TAILS,
 CONTACTS: PHOSPHOR BRONZE, 1.27um MIN OVERALL NICKEL UNDERPLATE, WITH SELECT 1.27um MIN GLOD OR WITH 0.05um MIN GOLD OVER 0.76um MIN PALLADIUM-NICKEL AT MATING INTERFACE AND 2.54um MIN MATTE TIN ON SOLDER TAILS.
 LED: DIFFUSED EPOXY LENS, CARBON STEEL LEAD FRAME TAILS OF LED ARE PREPLATED WITH 2.03um MIN SILVER OVER 1.02um MIN NICKEL UNDERPLATE OVER 1.02um MIN COPPER UNDERPLATE. POST-PLATED WITH 2.54um MIN MATTE TIN AND/OR SAC SOLDER DIP OR PURE TIN SOLDER DIP
 ALL PC BOARDS: HIGH TEMPERATURE PCB, TG>170°C

- MAGNETICS
 APPLICATION: 10/100/1000 BASE-T, PoE PLUS
 IMPEDANCE: 100 OHMS
 TURNS RATIO (CHIP:CABLE): 1:1 ALL FOUR PAIRS
 OPEN CIRCUIT INDUCTANCE (OCL): ALL CHANNELS,
 350uH MIN@100kHz, 0.1VRMS, WITH 8mADC BIAS FROM 0°C TO 70°C,
 120uH MIN@100kHz, 0.1VRMS, 19mADC BIAS FROM 0°C TO 70°C,
 ACROSS RJ1-RJ2 & RJ3-RJ6
 ALL FOUR PAIRS BI-DIRECTIONAL
 POE CURRENT: 600mADC MAX
 PERFORMANCE @ 25°C:
 INSERTION LOSS (IL): 1.1dB MAX FROM 0.5MHz TO 100MHz
 RETURN LOSS (RL): 18dB MIN FROM 0.5MHz TO 40MHz
 12-20LOG(f/80)dB MIN FROM 40.1MHz TO 100MHz
 CROSSTALK ATTENUATION: 35dB MIN FROM 0.5MHz TO 40MHz
 33-20LOG(f/50)dB MIN FROM 40.1MHz TO 100MHz
 COMMON MODE REJECTION RATIO (CMRR): 30dB MIN FROM 0.5MHz TO 100MHz
 ISOLATION VOLTAGE: 2250VDC(MAX) FOR 60 SECONDS WITH A RISE TIME OF 500V/SEC AND WITH ALL PORTS CONNECTED.

- PART NUMBER, DATE CODE AND COUNTRY OF ORIGIN ARE LOCATED IN APPROXIMATE AREA SHOWN. DATE CODE: "YY" IS YEAR, "WW" IS WORK WEEK, "D" IS DAY OF WEEK, WITH SUNDAY=1

- TRP CONNECTOR LOGO AND AGENCY APPROVAL LOGO ARE LOCATED IN APPROXIMATE AREA SHOWN.

- OPERATING TEMP: FROM 0°C TO +70°C.

- RJ45 CAVITY CONFORMS TO FCC RULES AND REGULATION PART 68 SUBPART F.

- INDICATED MAGNETIC CONNECTIONS ARE SYMMETRICAL AND SUPPORT AUTO-MDI/MDIX.

- DATUM AND BASIC DIMENSION ESTABLISHED BY CUSTOMER.

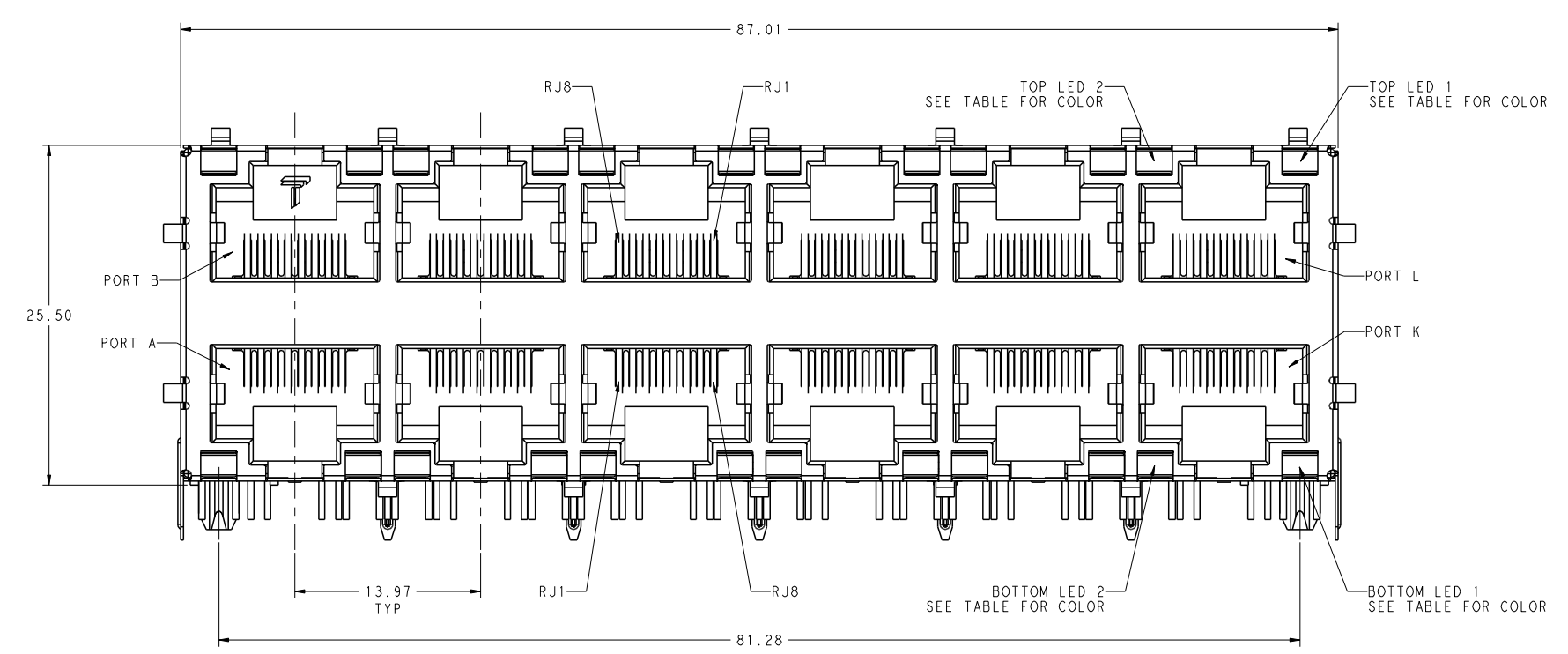
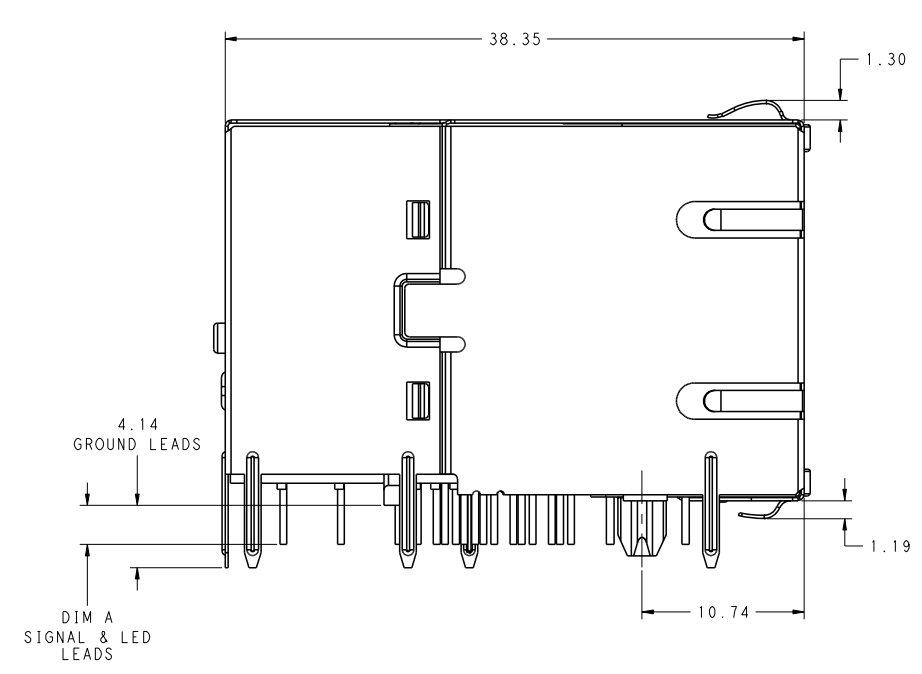
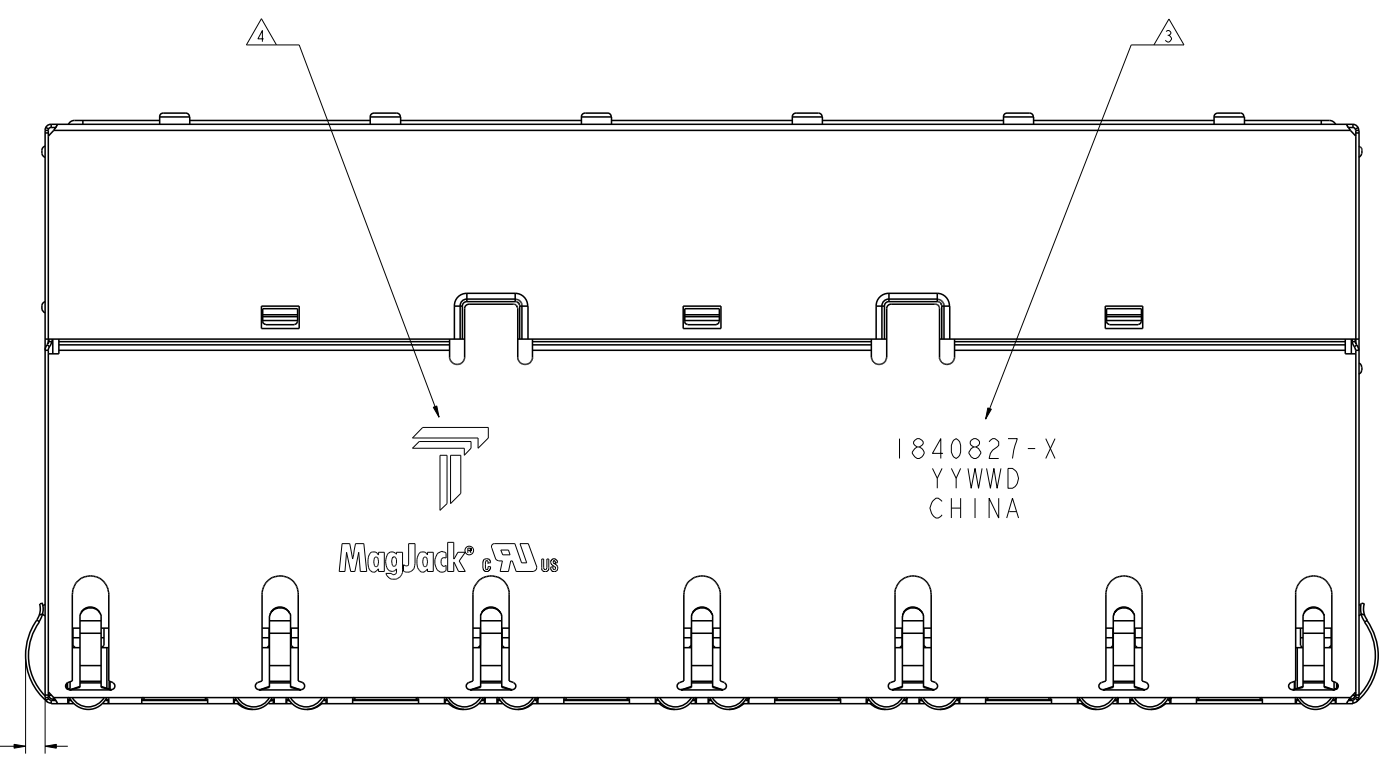
- BASIC DIMENSION ESTABLISHED BY CUSTOMER, BUT MAY NOT BE GREATER THAN 5.08mm.

- LEDS ARE DRIVEN WITH CONSTANT CURRENT AT APPROX 20mA
 LED COLOR: DOMINANT WAVELENGTH (λD): GREEN 568 nm TYP. @ IF=20mA
 FORWARD VOLTAGE (VF): GREEN 2.2V TYP. @ IF=20mA
 DOMINANT WAVELENGTH (λD): YELLOW 588 nm TYP. @ IF=20mA
 FORWARD VOLTAGE (VF): YELLOW 2.1V TYP. @ IF=20mA

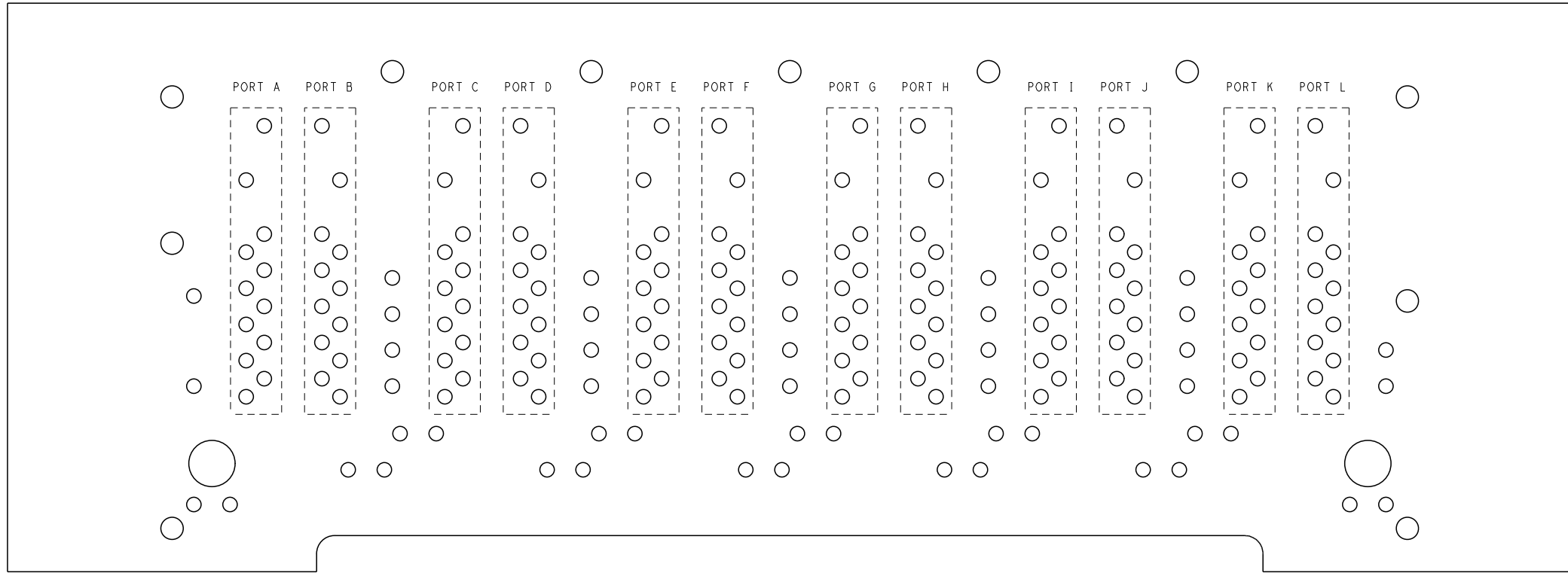
- THE PARTS ARE RECOMMENDED FOR WAVE SOLDERING PROCESS, PEAK TEMPERATURE 260°C MAX, 10 SECONDS MAX.

2.60	GREEN/YELLOW	GREEN/YELLOW	GREEN/YELLOW	GREEN/YELLOW	1840827-4
2.60	GREEN	GREEN	GREEN	GREEN	1840827-1
DIM A	BOTTOM LED 2	BOTTOM LED 1	TOP LED 2	TOP LED 1	PART NUMBER

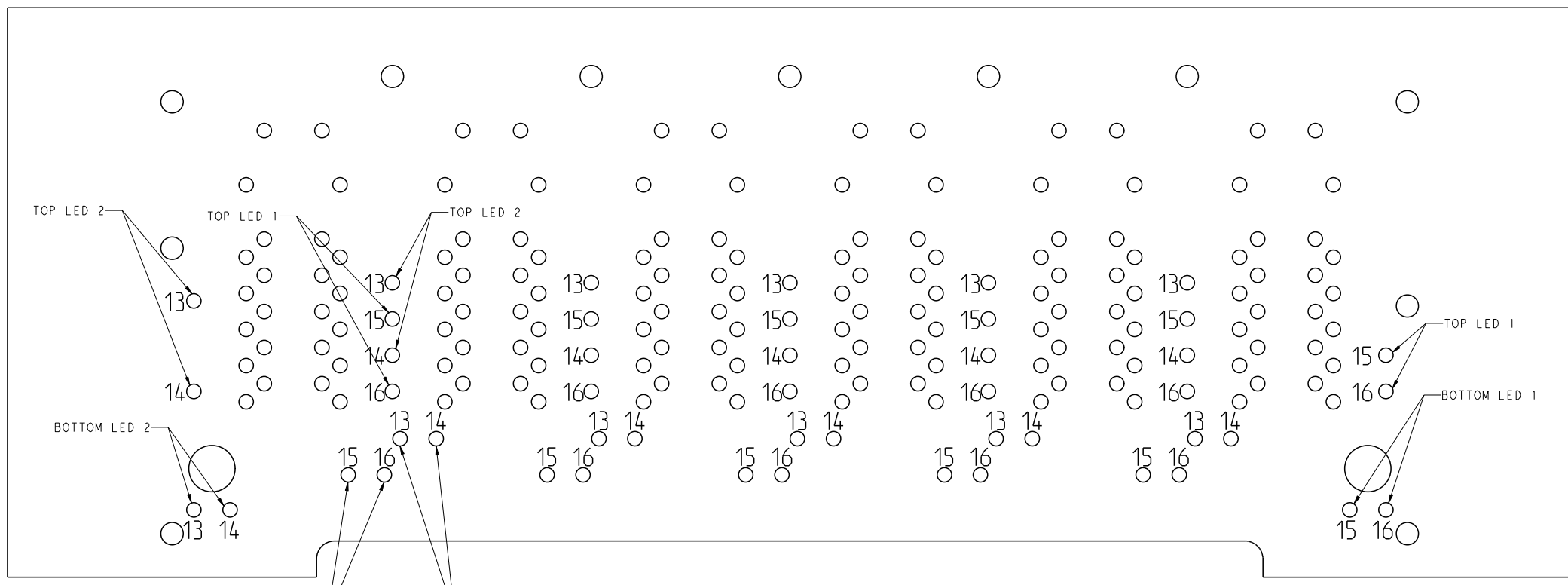
THIS DRAWING IS A CONTROLLED DOCUMENT.		DWN RICK LI/EVAN MA 28APR2012	28APR2012													
DIMENSIONS: mm		CHK TOMMY REN 28APR2012	28APR2012													
TOLERANCES UNLESS OTHERWISE SPECIFIED:		APP'D KEITH ZHU 28APR2012	28APR2012													
<table border="1"> <tr><td>0 PLC</td><td>±</td></tr> <tr><td>1 PLC</td><td>±</td></tr> <tr><td>2 PLC</td><td>±0.25</td></tr> <tr><td>3 PLC</td><td>±</td></tr> <tr><td>4 PLC</td><td>±</td></tr> <tr><td>ANGLES</td><td>±</td></tr> </table>		0 PLC	±	1 PLC	±	2 PLC	±0.25	3 PLC	±	4 PLC	±	ANGLES	±	DONGGUAN CHINA a bel group		
0 PLC	±															
1 PLC	±															
2 PLC	±0.25															
3 PLC	±															
4 PLC	±															
ANGLES	±															
PRODUCT SPEC 108-104004	APPLICATION SPEC -	MODEL NAME MAGJACK STACK POE PLUS	DESC 2X6 S9HG115 GIGABIT PoE+ W/ LED	SIZE A1												
CUSTOMER DRAWING		CAGE CODE -	DRAWING NO 1840827	RESTRICTED TO -												
SCALE NTS		SHEET 1 OF 4		REV D												



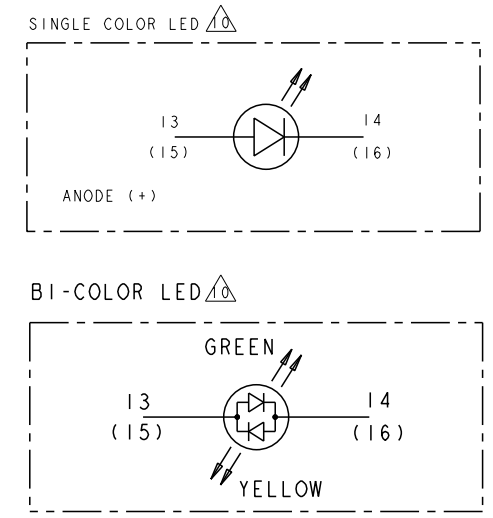
THIS DRAWING IS A CONTROLLED DOCUMENT.		DWN RICK LI/EVAN MA 28APR2012		DONGGUAN CHINA												
DIMENSIONS: mm		CHK TOMMY REN 28APR2012														
<table border="1"> <tr> <td>TOLERANCES UNLESS OTHERWISE SPECIFIED:</td> <td></td> </tr> <tr> <td>0 PLC</td> <td>±</td> </tr> <tr> <td>1 PLC</td> <td>±</td> </tr> <tr> <td>2 PLC</td> <td>±0.25</td> </tr> <tr> <td>3 PLC</td> <td>±</td> </tr> <tr> <td>4 PLC</td> <td>±</td> </tr> <tr> <td>ANGLES</td> <td>±</td> </tr> </table>		TOLERANCES UNLESS OTHERWISE SPECIFIED:				0 PLC	±	1 PLC	±	2 PLC	±0.25	3 PLC	±	4 PLC	±	ANGLES
TOLERANCES UNLESS OTHERWISE SPECIFIED:																
0 PLC	±															
1 PLC	±															
2 PLC	±0.25															
3 PLC	±															
4 PLC	±															
ANGLES	±															
PRODUCT SPEC 108-104004	APPLICATION SPEC -	MODEL NAME MAGJACK	DESC 2X6 S9HG115 GIGABIT PoE+ W/ LED	RESTRICTED TO												
		SIZE A1	CAGE CODE 1840827	SCALE NTS												
		CUSTOMER DRAWING		SHEET 2 OF 4 REV D												




PORT DESIGNATIONS
VIEWED FROM COMPONENT SIDE



LED HOLE DESIGNATIONS
VIEWED FROM COMPONENT SIDE



THIS DRAWING IS A CONTROLLED DOCUMENT.		DWN: RICK LI/EVAN MA 28APR2012		 DONGGUAN CHINA
DIMENSIONS: mm		CHK: TOMMY REN 28APR2012		
TOLERANCES UNLESS OTHERWISE SPECIFIED:		APP'D: KEITH ZHU 28APR2012		DESC: 2X6 S9HG115 GIGABIT PoE+ W/ LED
0 PLC ± 1 PLC ± 2 PLC ±0.25 3 PLC ± 4 PLC ± ANGLES ±		MODEL NAME: MAGJACK		SIZE: A1
PRODUCT SPEC: 108-104004		APPLICATION SPEC: -		DESC: STACK POE PLUS
		CUSTOMER DRAWING		SCALE: NTS SHEET 4 OF 4 REV D