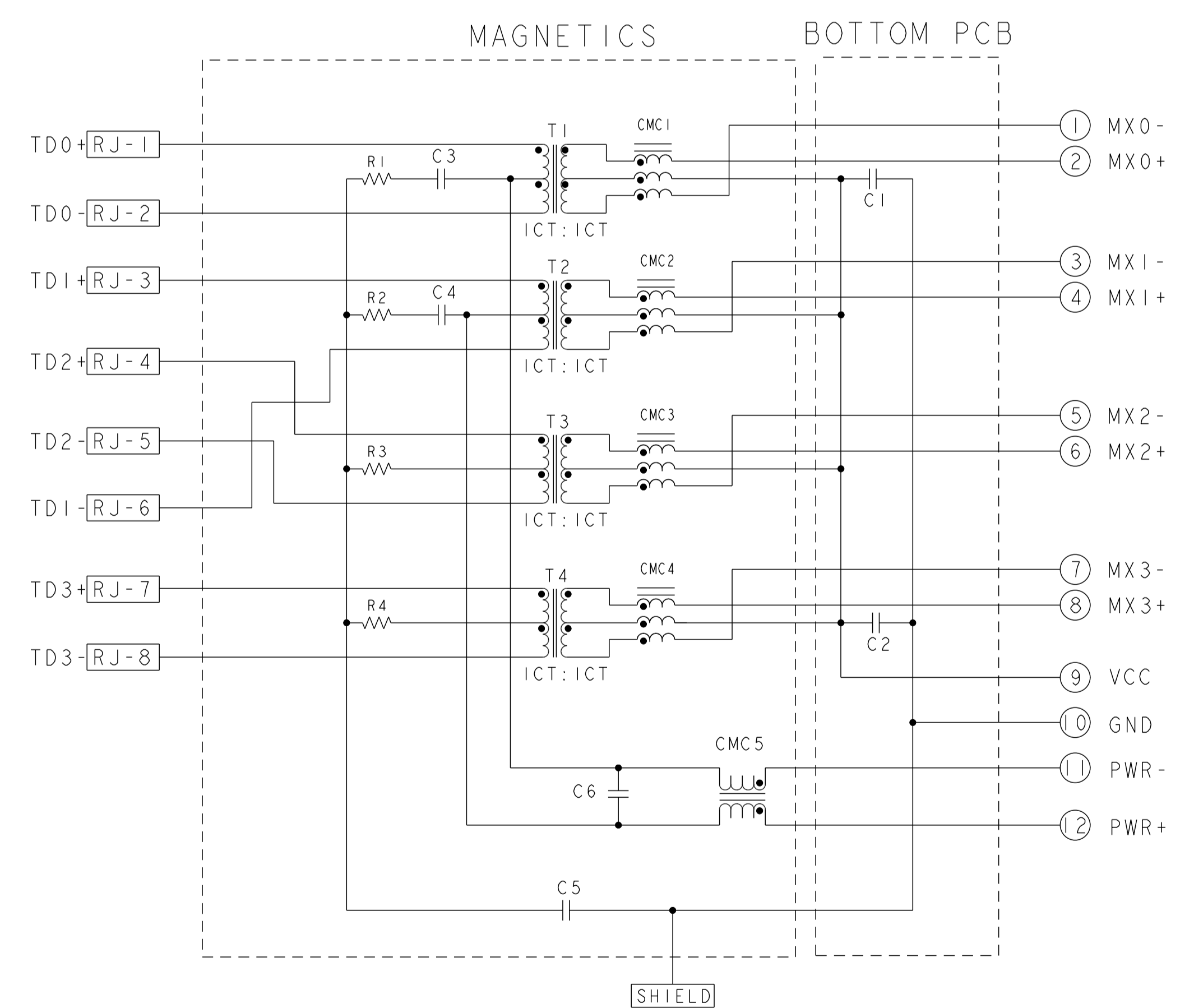


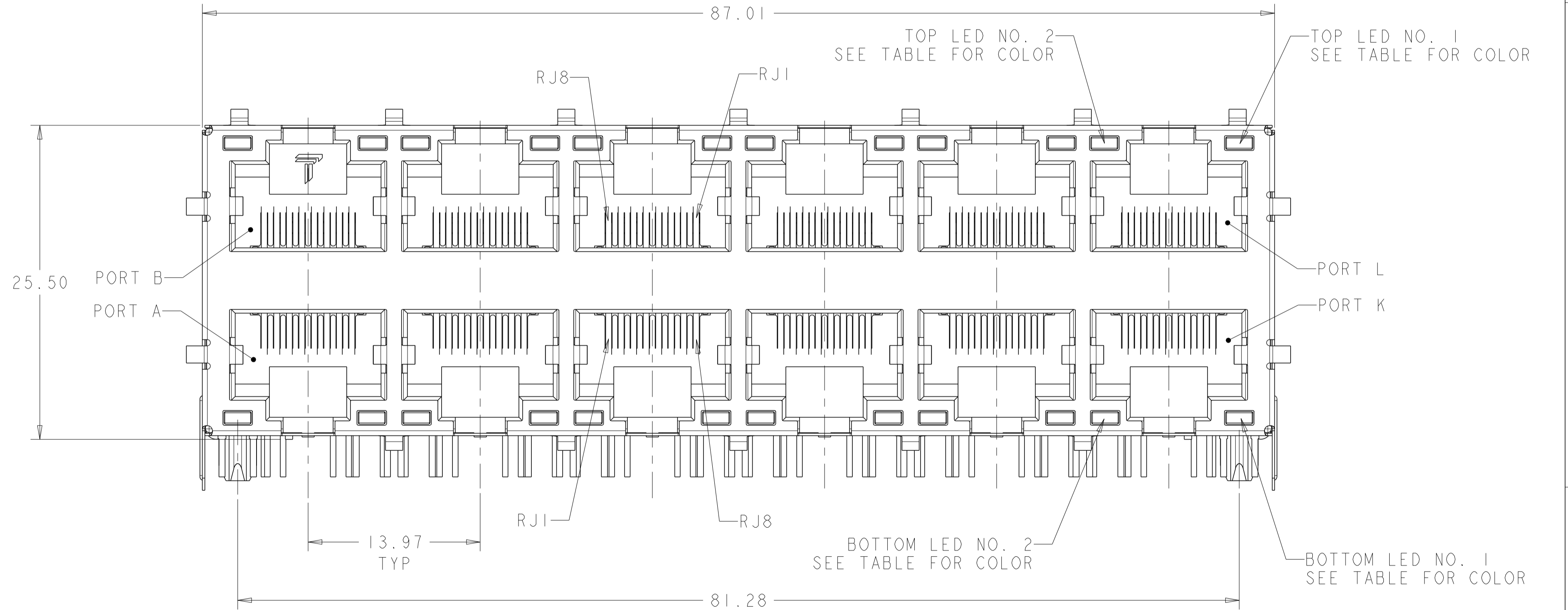
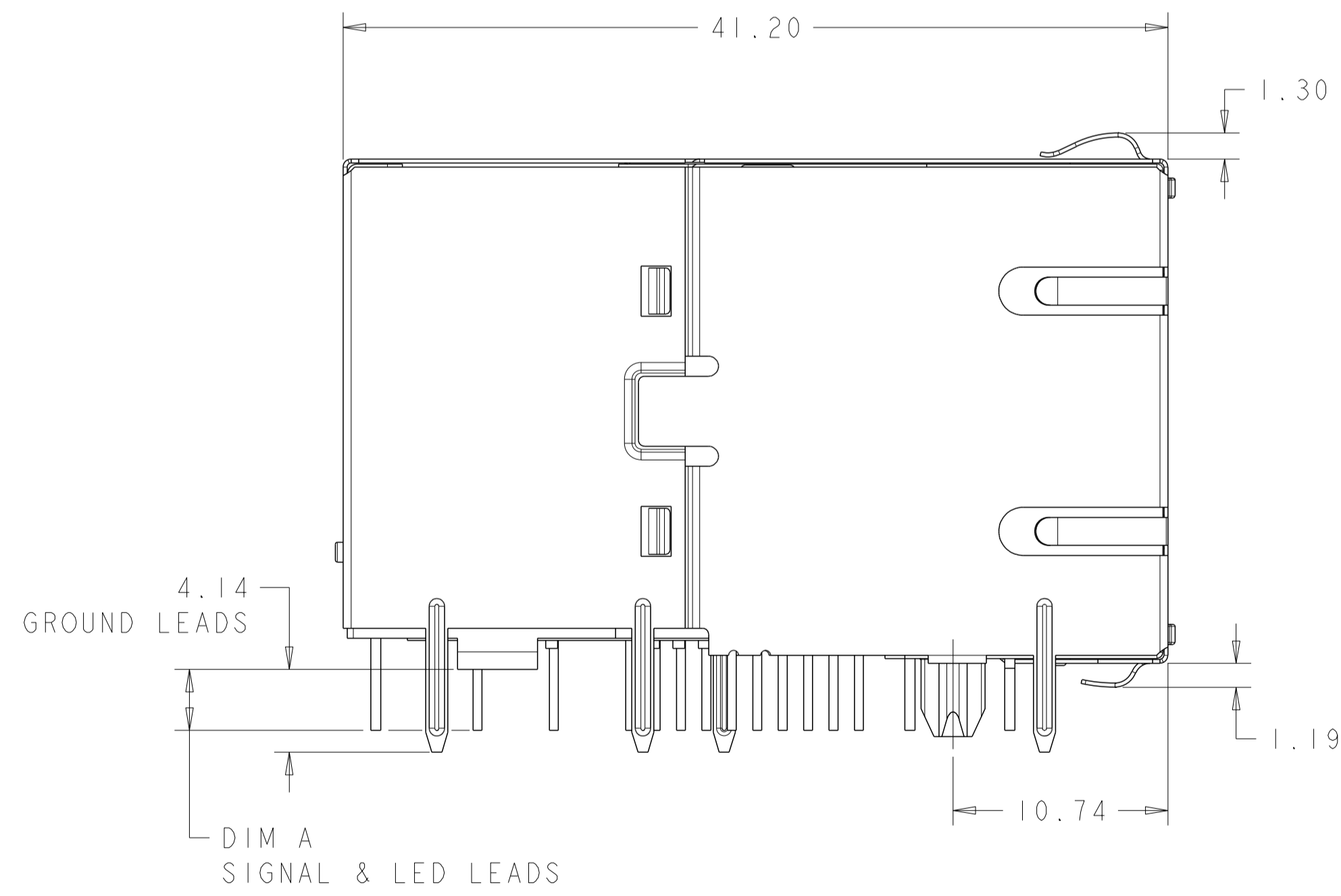
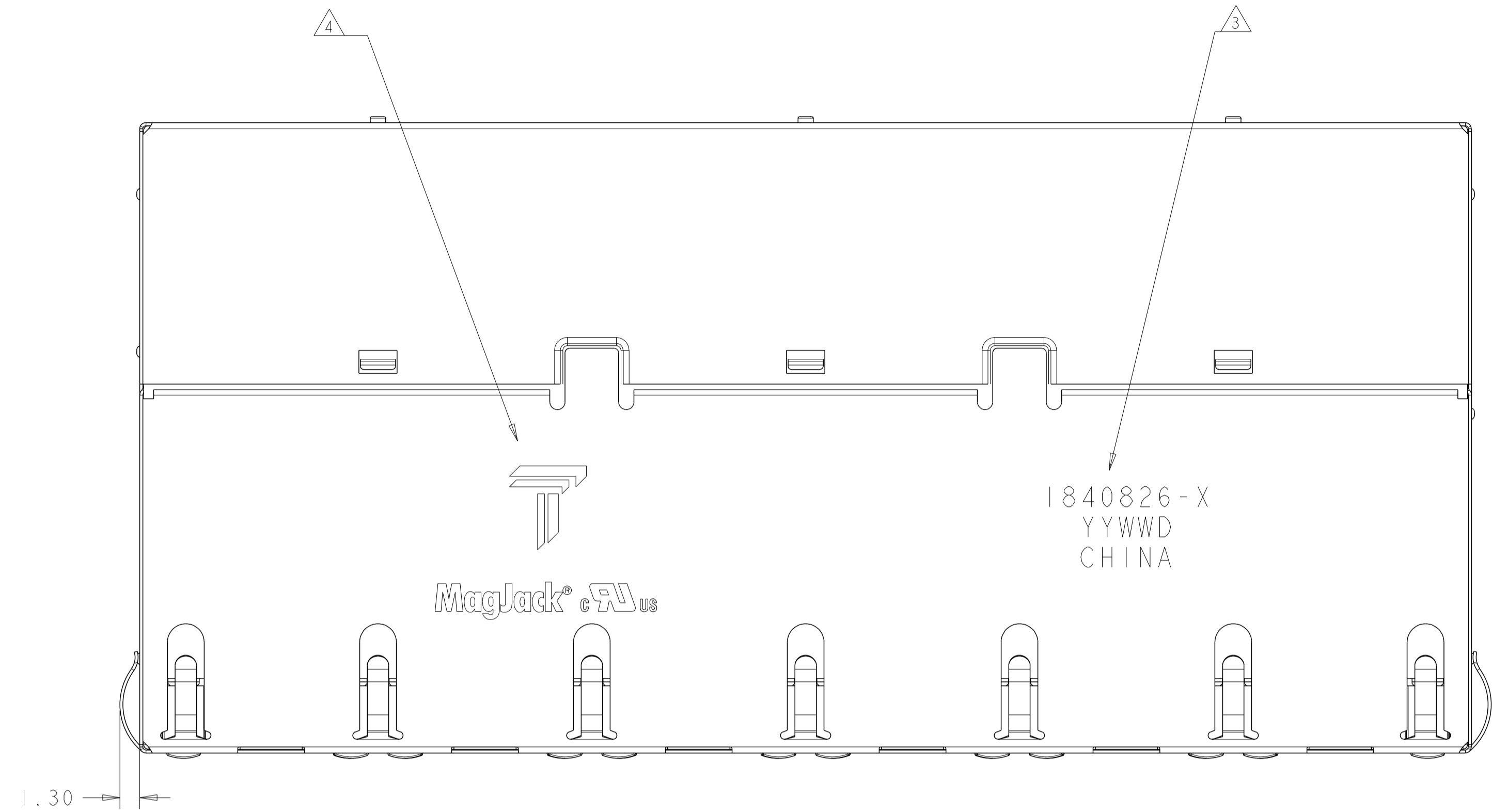
S9VG104 GIGABIT PoE CIRCUIT
TOP AND BOTTOM PORTS




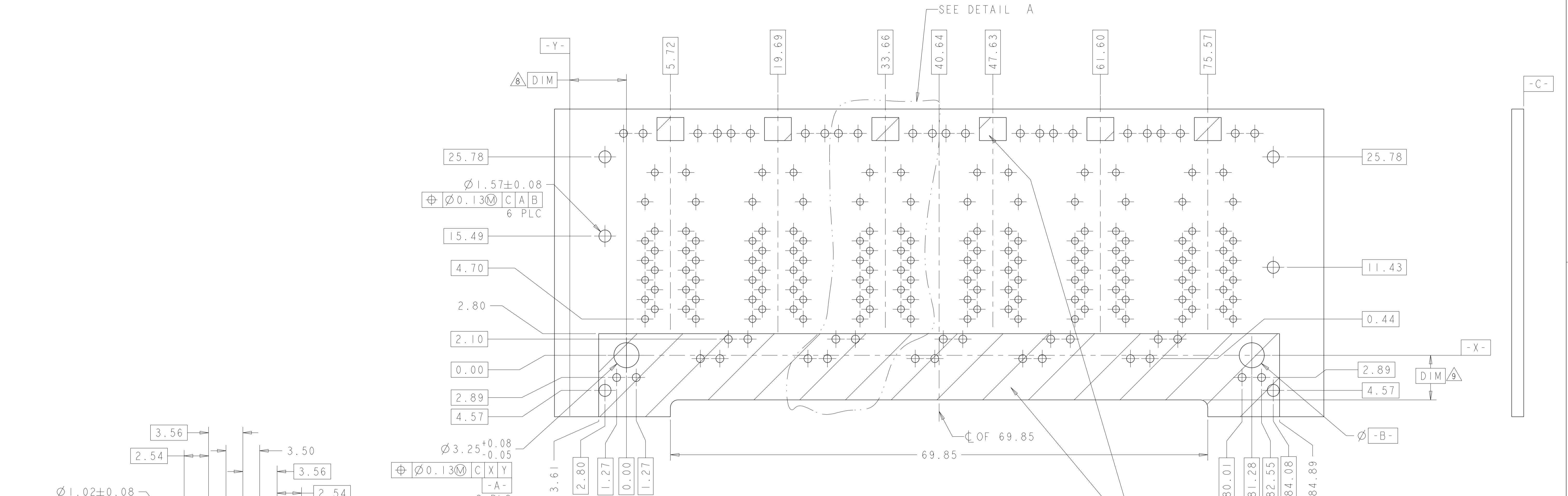
C1-C2=10nF, 50V, CAPACITORS
 C3-C4=22nF, 100V, CAPACITORS
 C5=1000pF, 2kV, CAPACITOR
 C6=68nF, 100V, CAPACITOR
 R1-R4=75 OHMS, 1/16W, RESISTORS

1. MATERIALS:
 PLASTIC HOUSING: BLACK, THERMOPLASTIC FLAMMABILITY RATING UL 94V-0
 SHIELD: BRASS, PREPLATED WITH 0.76um MIN SEMI-BRIGHT NICKEL,
 POST DIPPED WITH 2.54um MIN SAC SOLDER ON SOLDER TAILS,
 CONTACTS: PHOSPHOR BRONZE, 1.27um MIN OVERALL NICKEL UNDERPLATE
 WITH 1.27um MIN GOLD OR WITH SELECT 0.05um MIN GOLD OVER 0.76um
 MIN PALLADIUM-NICKEL AT MATING INTERFACE AND 2.54um MIN MATTE
 TIN ON SOLDER TAILS.
 LED: DIFFUSED EPOXY LENS, CARBON STEEL LEAD FRAME TAILS OF LED
 ARE PREPLATED WITH 2.03um MIN SILVER OVER 1.02um MIN NICKEL
 UNDERPLATE OVER 1.02um MIN COPPER UNDERPLATE. POST-PLATED WITH
 2.54um MIN MATTE TIN AND/OR SAC SOLDER DIP OR PURE TIN SOLDER DIP
- MAGNETICS:
 APPLICATION: 10/100/1000 BASE-T, PoE
 IMPEDANCE: 100ohms
 TURNS RATIO (CHIP:CABLE): 1:1 ALL FOUR PAIRS
 OPEN CIRCUIT INDUCTANCE (OCL):
 ALL CHANNELS 350 uH MIN @ 100kHz, 0.1 VRMS WITH 8mA DC BIAS FROM 0°C TO 70°C
 ALL FOUR PAIRS BI-DIRECTIONAL
 POE CURRENT: 350mA DC MAX
 PERFORMANCE @25°C:
 INSERTION LOSS (IL): 1.1dB MAX FROM 0.5MHz TO 100MHz
 RETURN LOSS (RL): 18dB MIN FROM 0.5MHz TO 40MHz
 12-20LOG(f/80)dB MIN FROM 40.1MHz TO 100MHz
 CROSSTALK ATTENUATION: 35dB MIN FROM 0.5MHz TO 40MHz
 33-20LOG(f/50)dB MIN FROM 40.1MHz TO 100MHz
 COMMON MODE REJECTION RATIO (CMRR):
 30dB MIN FROM 0.5MHz TO 100MHz
 ISOLATION VOLTAGE: 2250VDC(MAX) FOR 60 SECONDS WITH A RISE TIME OF 500V/SEC
 AND WITH ALL PORTS CONNECTED.
- PART NUMBER, DATE CODE AND COUNTRY OF ORIGIN LOCATED IN APPROXIMATE AREA SHOWN
 DATE CODE: YYWWD WHERE "YY" IS YEAR, "WW" IS WORK WEEK, "D" IS DAY OF WEEK,
 WITH SUNDAY =1
- TRP CONNECTOR LOGO AND AGENCY APPROVAL LOGO ARE LOCATED
 IN APPROXIMATE AREA SHOWN.
5. OPERATING TEMP: FROM 0°C TO 70°C.
6. RJ45 CAVITY CONFORMS TO FCC RULES AND REGULATION PART 68 SUBPART F.
- INDICATED MAGNETIC CONNECTIONS ARE SYMMETRICAL AND SUPPORT AUTO-MDI/MDIX.
- DATUM AND BASIC DIMENSION ESTABLISHED BY CUSTOMER.
- DIMENSION ESTABLISHED BY CUSTOMER, BUT MAY NOT BE
 GREATER THAN 5.08mm.
- LEDs ARE DRIVEN WITH CONSTANT CURRENT AT APPROX 20mA
 LED COLOR: DOMINANT WAVELENGTH (λD): GREEN 568 nm TYP. @ IF=20mA
 FORWARD VOLTAGE (VF): GREEN 2.2V TYP. @ IF=20mA
 DOMINANT WAVELENGTH (λD): YELLOW 588 nm TYP. @ IF=20mA
 FORWARD VOLTAGE (VF): YELLOW 2.1V TYP. @ IF=20mA
11. THESE PARTS ARE RECOMMENDED FOR WAVE SOLDERING PROCESS, PEAK TEMPERATURE 260°C
 FOR 5 SECONDS

3.04	GREEN/YELLOW	GREEN/YELLOW	GREEN/YELLOW	GREEN/YELLOW	1840826-1
DIM A	BOTTOM LED NO. 2	BOTTOM LED NO. 1	TOP LED NO. 2	TOP LED NO. 1	PART NO.
THIS DRAWING IS A CONTROLLED DOCUMENT.					
DIMENSIONS: mm		TOLERANCES UNLESS OTHERWISE SPECIFIED:		DWR: RICK LI/LEVAN, MA 03APR2012 CHK: TOMMY REN 03APR2012 APD: KEITH ZHU 03APR2012 MODEL NAME: MAGJACK DESC: 2X6 S9VG104 GIGABIT PoE W/ LED	
0 PLC ±0.25 1 PLC ±0.25 2 PLC ±0.25 3 PLC ± 4 PLC ± ANGLES ±		PRODUCT SPEC: 108-104004 APPLICATION SPEC:		SIZE: A1 CAGE CODE: C=1840826 DRAWING NO: 1840826 RESTRICTED TO:	
CUSTOMER DRAWING					
				SCALE: NTS	SHEET 1 OF 4

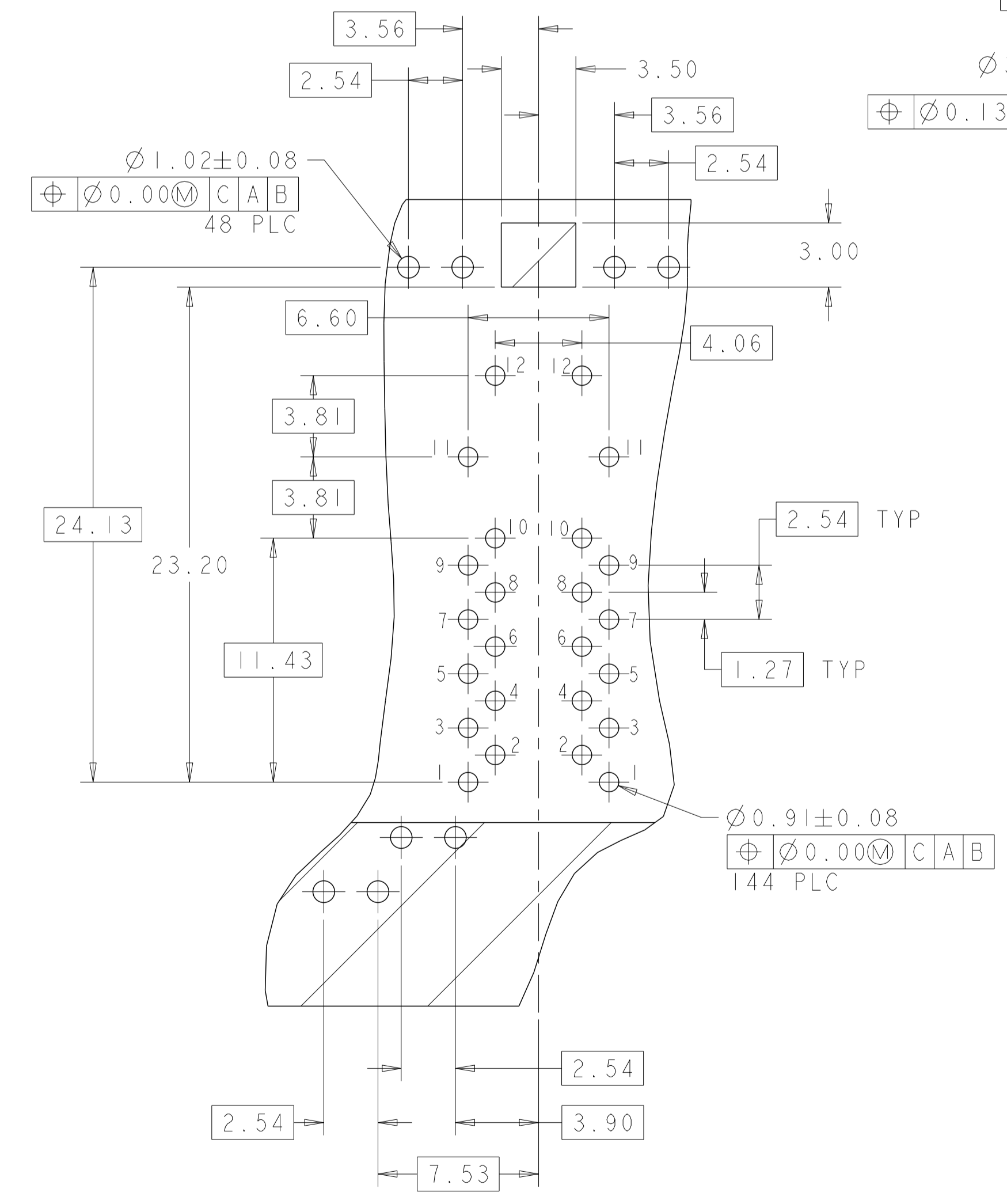


THIS DRAWING IS A CONTROLLED DOCUMENT.		DRW: RICK LI ZEVAN MA 03APR2012	 TRP CONNECTOR a bel group DONGGUAN CHINA
DIMENSIONS: mm		CHK: TOMMY REN 03APR2012	
TOLERANCES UNLESS OTHERWISE SPECIFIED:		APRD: KEITH ZHU 03APR2012	DESC: 2X6 S9VG104 GIGABIT PoE W/ LED
0 PLC ±0.25	1 PLC ±0.25	MODEL NAME: MAGJACK	SIZE: A1
2 PLC ±0.25	3 PLC ±	PRODUCT SPEC: 108-104004	CAGE CODE: 1840826
4 PLC ±	ANGLES ±	APPLICATION SPEC	SCALE: NTS
CUSTOMER DRAWING		SHEET 2 OF 4 REV C	

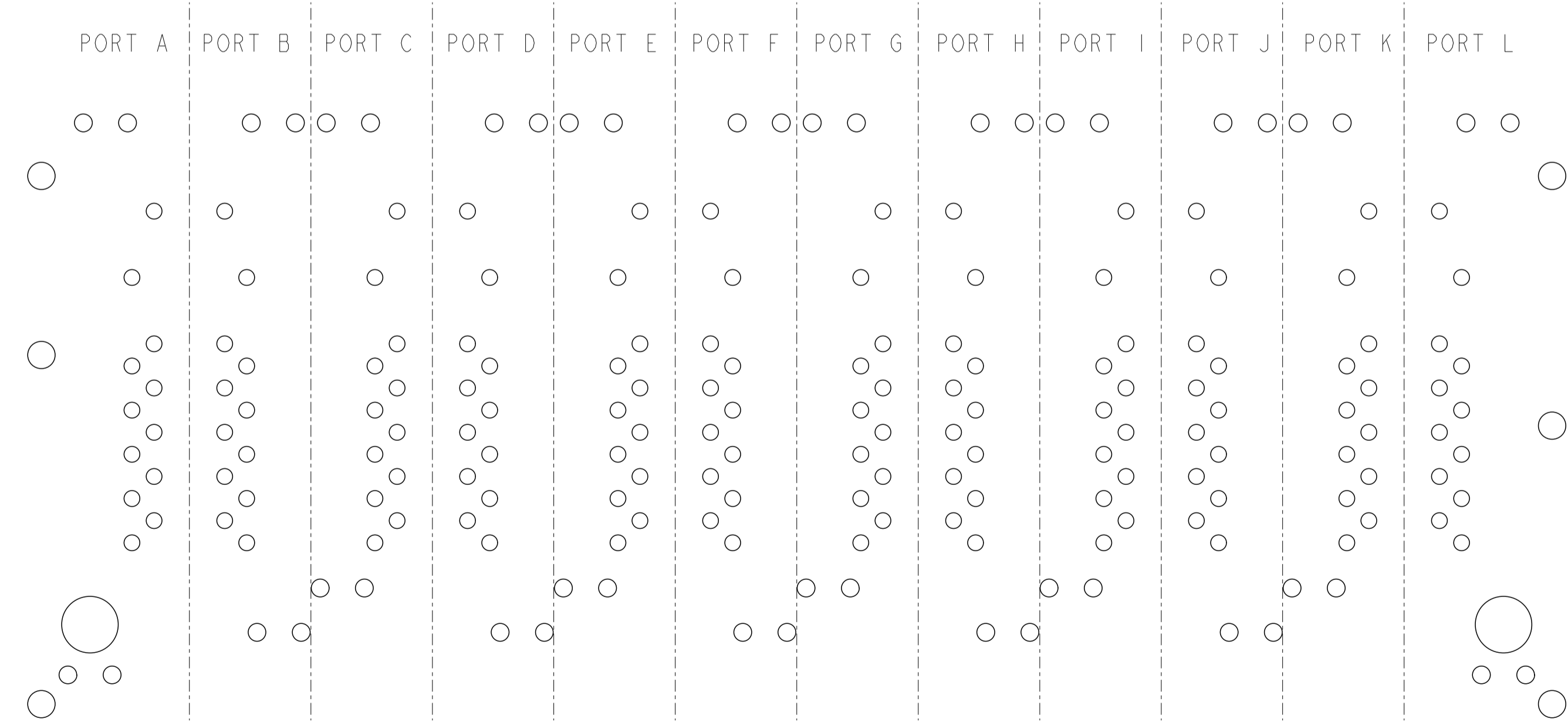


RECOMMENDED CUSTOMER PCB LAYOUT
 VIEWED FROM COMPONENT SIDE

IT IS RECOMMENDED THAT SHADED AREAS ON CUSTOMER PC BOARD BE CLEAR OF ANY VIA HOLE, COMPONENT, CIRCUIT TRACE WHICH HAS EQUAL POTENTIAL WITH CABLE SIDE SIGNAL AND POE SIGNAL

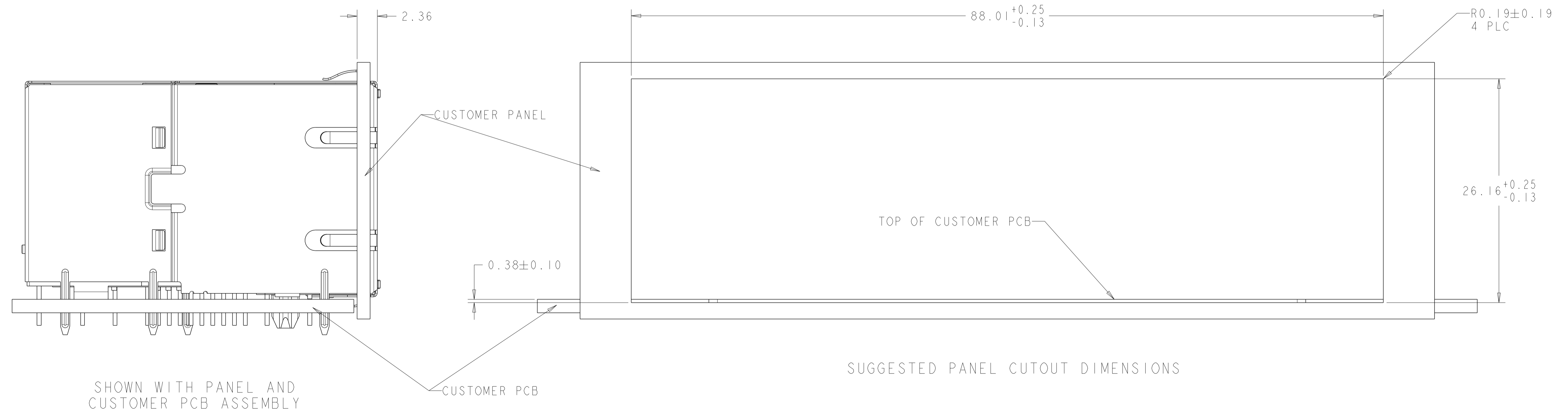
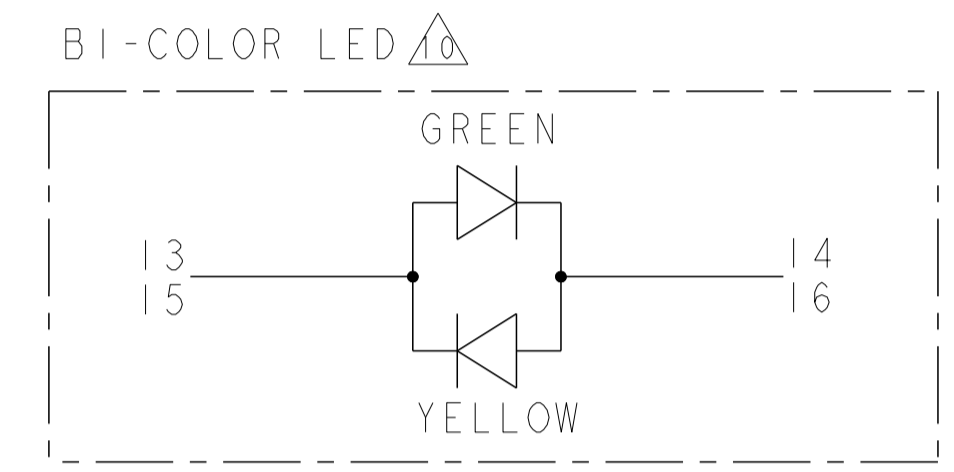
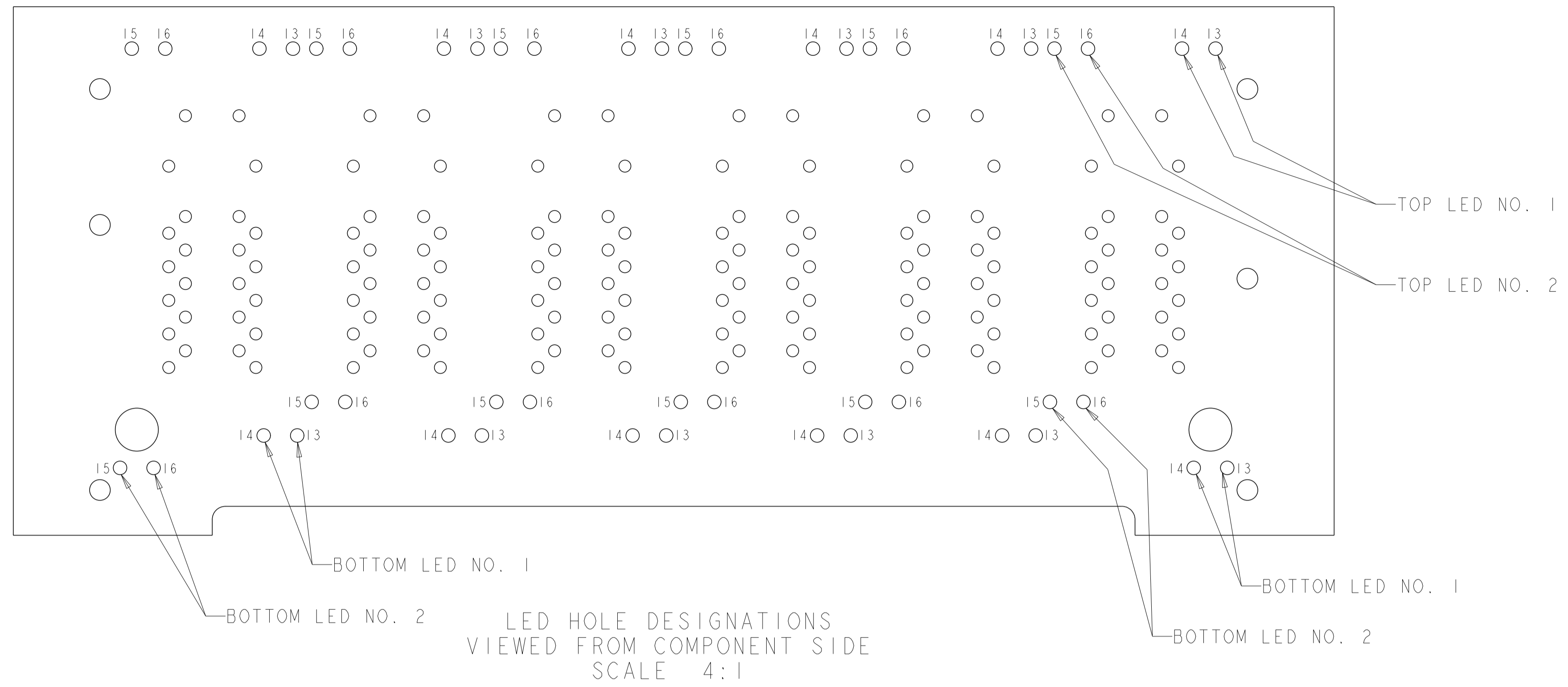


DETAIL A
 SCALE 5:1



PORT ASSIGNMENT
 VIEWED FROM COMPONENT SIDE
 SCALE 4:1

THIS DRAWING IS A CONTROLLED DOCUMENT.		DWG: RICK LIJEVAN, MA 03APR2012		DONGGUAN CHINA
DIMENSIONS: mm		CHK: TOMMY REN 03APR2012		
TOLERANCES UNLESS OTHERWISE SPECIFIED:		APPRO: KEITH ZHU 03APR2012		DESC: 2X6 S9VG104 GIGABIT PoE W/ LED SIZE: A1 CAGE CODE: 1840826 DRAWING NO: 108-104004
0 PLC ±0.25 1 PLC ±0.25 2 PLC ±0.25 3 PLC ±0.25 4 PLC ± ANGLES ±		MODEL NAME: MAGJACK STACK PoE+		
PRODUCT SPEC: 108-104004		APPLICATION SPEC: -		RESTRICTED TO: - SCALE: NTS SHEET: 3 OF 4 REV: C



THIS DRAWING IS A CONTROLLED DOCUMENT.		DWO: RICK LI/LEVAN, MA 03APR2012		TRP CONNECTOR DONGGUAN CHINA
DIMENSIONS: mm		CHK: TOMMY REN 03APR2012		
TOLERANCES UNLESS OTHERWISE SPECIFIED:		APVD: KEITH ZHU 03APR2012		DESC: 2X6 S9VG104 GIGABIT PoE W/ LED
0 PLC ±0.25 1 PLC ±0.25 2 PLC ±0.25 3 PLC ± 4 PLC ± ANGLES ±		MODEL NAME: MAGJACK STACK PoE+		SIZE: A1
PRODUCT SPEC: 108-104004		APPLICATION SPEC: -		DRAWING NO: C=1840826
CUSTOMER DRAWING				RESTRICTED TO: -
SCALE: NTS				SHEET 4 OF 4 REV C