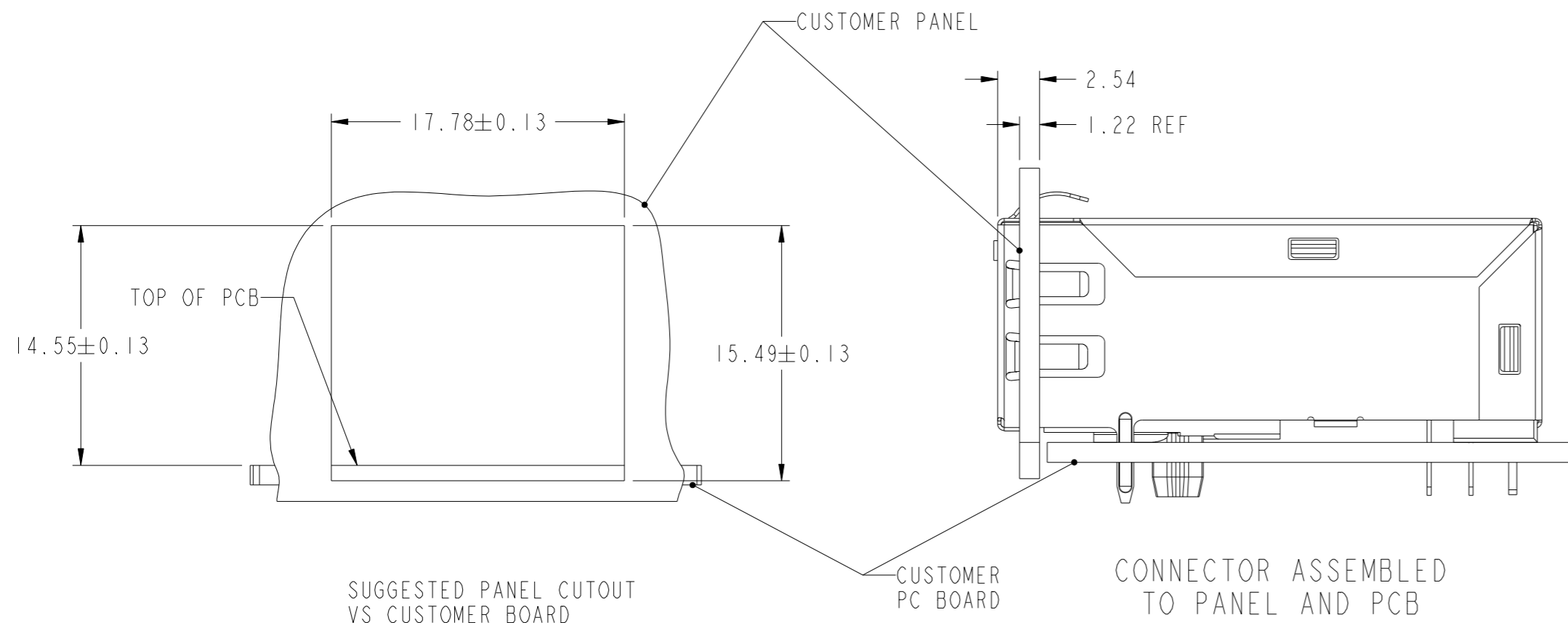
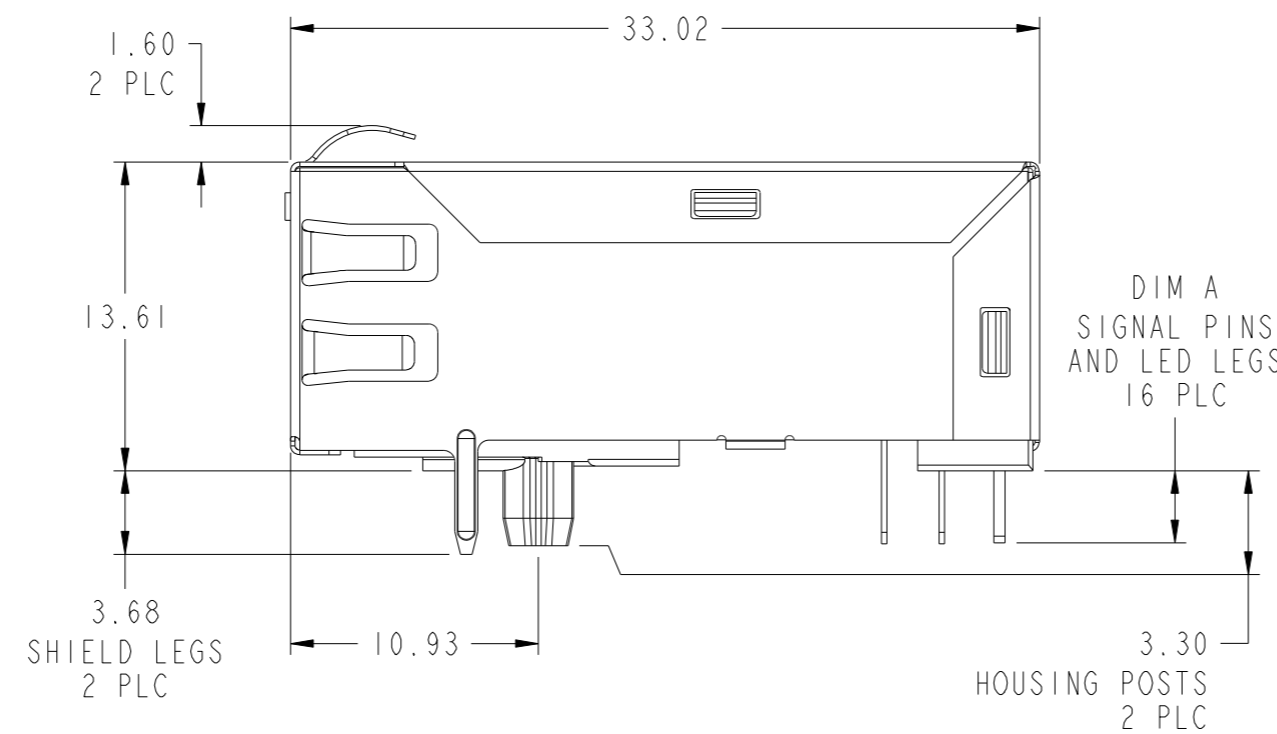
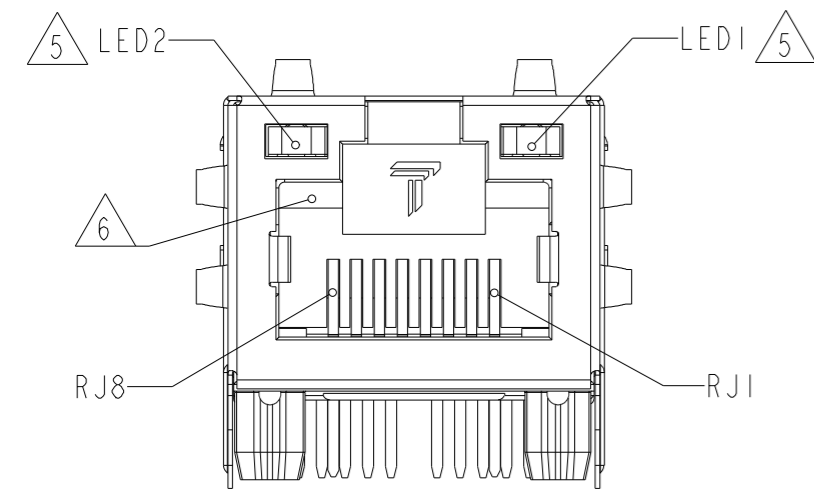
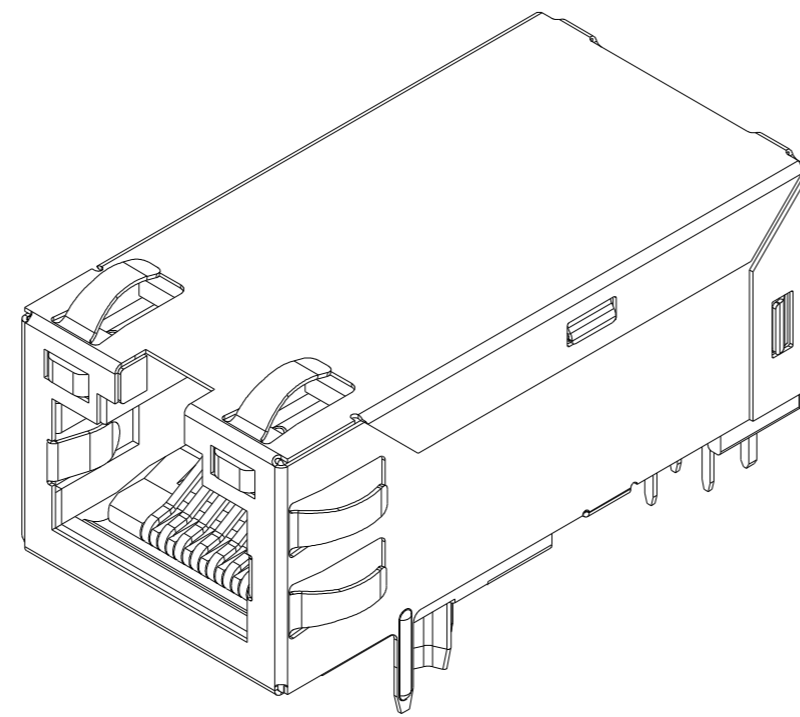
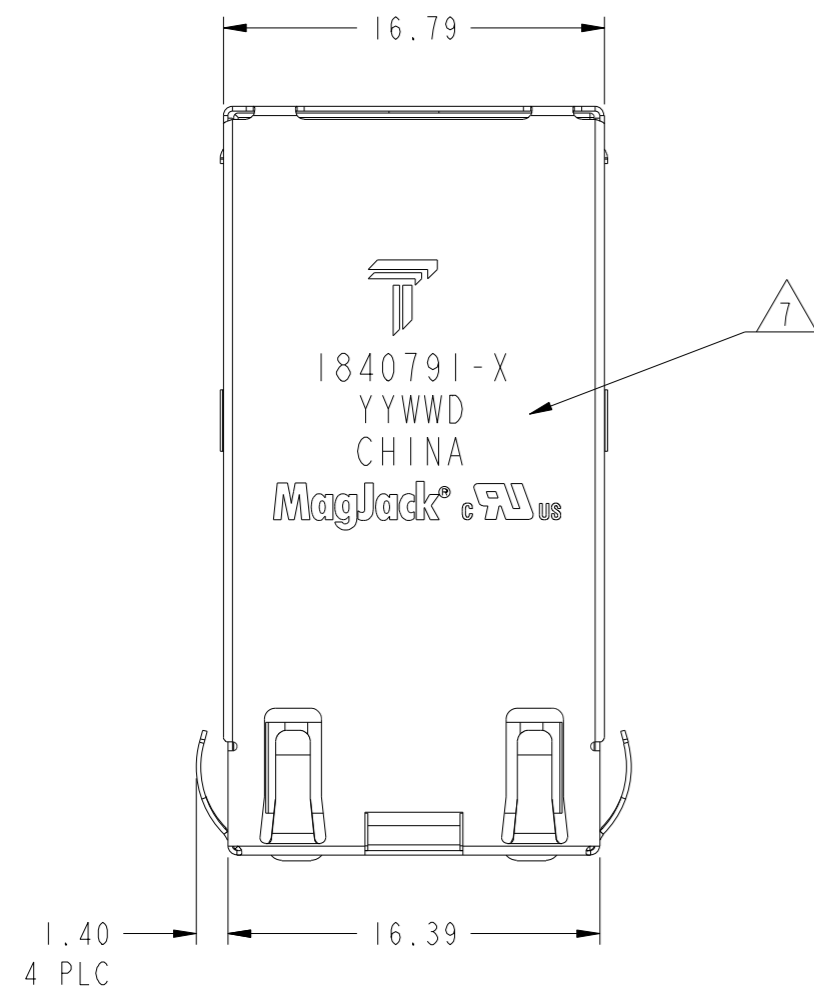


THIS DRAWING AND THE SUBJECT MATTER SHOWN THEREON ARE CONFIDENTIAL AND THE PROPERTY OF BEL/STEWART/TRP CONNECTOR AND SHALL NOT BE REPRODUCED, COPIED, OR USED IN ANY MANNER WITHOUT THE WRITTEN CONSENT OF TRP CONNECTOR.

PRODUCT MAY BE PROTECTED BY ONE OR MORE OF THE FOLLOWING US PATENTS:
 5736910 5939955 6425781 6428361 6554638 6840817 7123117
 7429195 7717749 7808751 6217391 6149050 7924130

REVISIONS				
P	LTR	DESCRIPTION	DATE	APVD
7		EC-1411035 COMPANY LOGO CHANGE	29DEC2014	DP TY



1. MATERIALS

HOUSING: THERMOPLASTIC, BLACK, FLAMMABILITY RATING UL 94V-0
 SHIELD: BRASS, 0.20mm THICK, PREPLATED WITH MIN 0.76um SEMI-BRIGHT NICKEL POST DIPPED WITH 2.54um MIN SAC SOLDER AT GROUND PINS.
 CONTACT: PHOSPHOR BRONZE, 0.46mm X0.30mm WITH 1.27um MIN OVERALL NICKEL UNDERPLATE AND SELECTIVE 1.27um MIN GOLD PLATING AT MATING INTERFACE
 SOLDER TAIL: 0.25mm THICK, PHOSPHOR BRONZE, 1.27um MIN OVERALL NICKEL UNDERPLATE, 3um MIN TIN PLATE
 LIGHT PIPE: POLYCARBON, TRANSPARENT, RATING UL 94V-0
 LED: DIFFUSED EPOXY LENS, CARBON STEEL WIREFRAME LEADS PREPLATED WITH 2.03um MIN SILVER OVER 1.02um MIN NICKEL UNDERPLATE OVER 1.02um MIN COPPER UNDERPLATE; POST PLATED WITH 2.54um MIN MATTE TIN.

2. MAGNETICS

-APPLICATION: 10/100/1000 BASE-T
 -IMPEDANCE: 100 OHMS
 -TURNS RATIO (CHIP:CABLE): 1:1 ALL FOUR PAIRS
 -OPEN CIRCUIT INDUCTANCE (OCL): 350uH MIN @100kHz, 0.1VRMS, 8mA DC BIAS FROM 0°C TO 70°C, ALL FOUR PAIRS
 -ALL FOUR PAIRS BI-DIRECTIONAL
 -PERFORMANCE @ 25°C:
 INSERTION LOSS (IL): 1.1dB MAX FROM 0.5MHz TO 100MHz
 RETURN LOSS (RL): 18dB MIN FROM 0.5MHz TO 40MHz
 12-20LOG(f/80)dB MIN FROM 40.1MHz TO 100MHz
 CROSSTALK ATTENUATION: 35dB MIN FROM 0.5MHz TO 40MHz
 33-20LOG(f/50)dB MIN FROM 40.1MHz TO 100MHz
 COMMON MODE REJECTION RATIO (CMRR): 30dB MIN FROM 0.5MHz TO 100MHz
 -ISOLATION VOLTAGE: 2250VDC (MAX) FOR 60 SECONDS WITH A RISE TIME OF 500V/SEC

3.

THE MAGNETIC CIRCUIT ON ALL FOUR CHANNELS IS SYMMETRICAL AND SUPPORTS AUTO-MDIX OPERATION.

4. OPERATING TEMPERATURE: 0°C ~ 70°C

5.

LEDs ARE DRIVEN WITH CONSTANT CURRENT AT APPROX 20mA.
 LED COLOR: DOMINANT WAVELENGTH (λD): GREEN 568 nm TYP. at IF=20mA
 FORWARD VOLTAGE (VF): GREEN 2.2V TYP. at IF=20mA
 DOMINANT WAVELENGTH (λD): ORANGE 605 nm TYP. at IF=20mA
 FORWARD VOLTAGE (VF): ORANGE 2.1V TYP. at IF=20mA

6.

RJ45 CAVITY CONFORMS TO FCC RULES AND REGULATION PART 68 SUBPART F.

7.


TRP CONNECTOR LOGO, PART NUMBER, DATE CODE, COUNTRY OF ORIGIN, AGENCY APPROVAL MARKING IN APPROPRIATE LOCATION SHOWN.
 DATE CODE: YYWW "YY" IS YEAR, "WW" IS WORK WEEK, "D" IS DAY OF WEEK, WITH SUNDAY=1.

8.

PART SHOULD BE RECOMMENDED FOR WAVE SOLDERING PROCESS, PEAK WAVE SOLDERING TEMPERATURE IS 260°C, 10 SECONDS MAX.

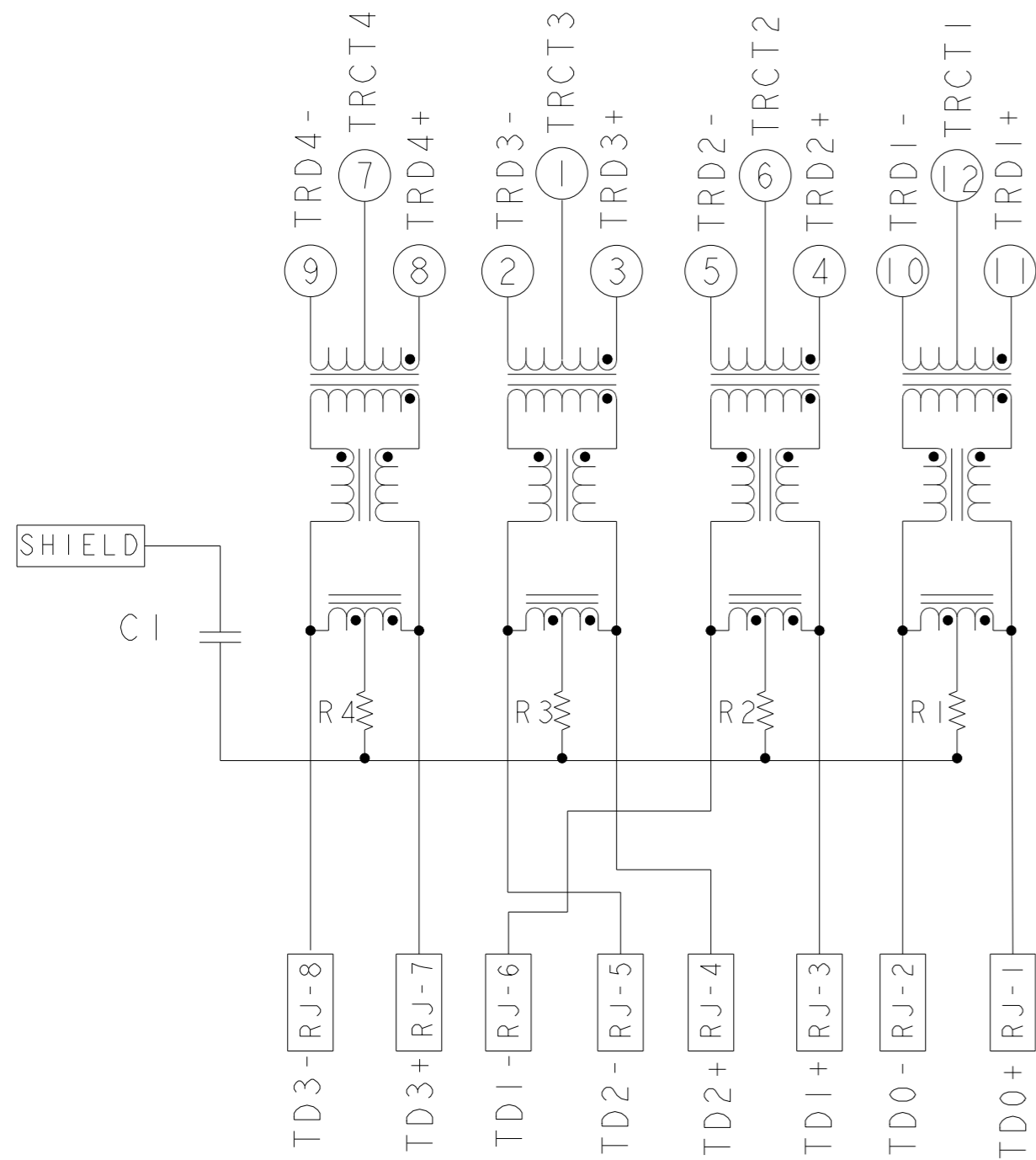
4.58	GREEN	GREEN	1840791-3
3.18	ORANGE/GREEN	GREEN	1840791-2
3.18	GREEN	GREEN	1840791-1
DIM A	LED1	LED2	PART NUMBER

THIS DRAWING IS A CONTROLLED DOCUMENT.		DWN RICK LI 27APR2010
DIMENSIONS: mm		CHK TONY YUAN 27APR2010
TOLERANCES UNLESS OTHERWISE SPECIFIED:		APVD KEITH ZHU 27APR2010
0 PLC ±		MODEL NAME
1 PLC ±0.25		MAGJACK
2 PLC ±0.25		SINGLE NON-POE
3 PLC ±0.25		SIZE A2
4 PLC ±		CAGE CODE C-1840791
ANGLES ±		DRAWING NO
APPLICATION SPEC		RESTRICTED TO
PRODUCT SPEC		CUSTOMER DRAWING
		SCALE NTS
		SHEET 1 OF 2
		REV 7

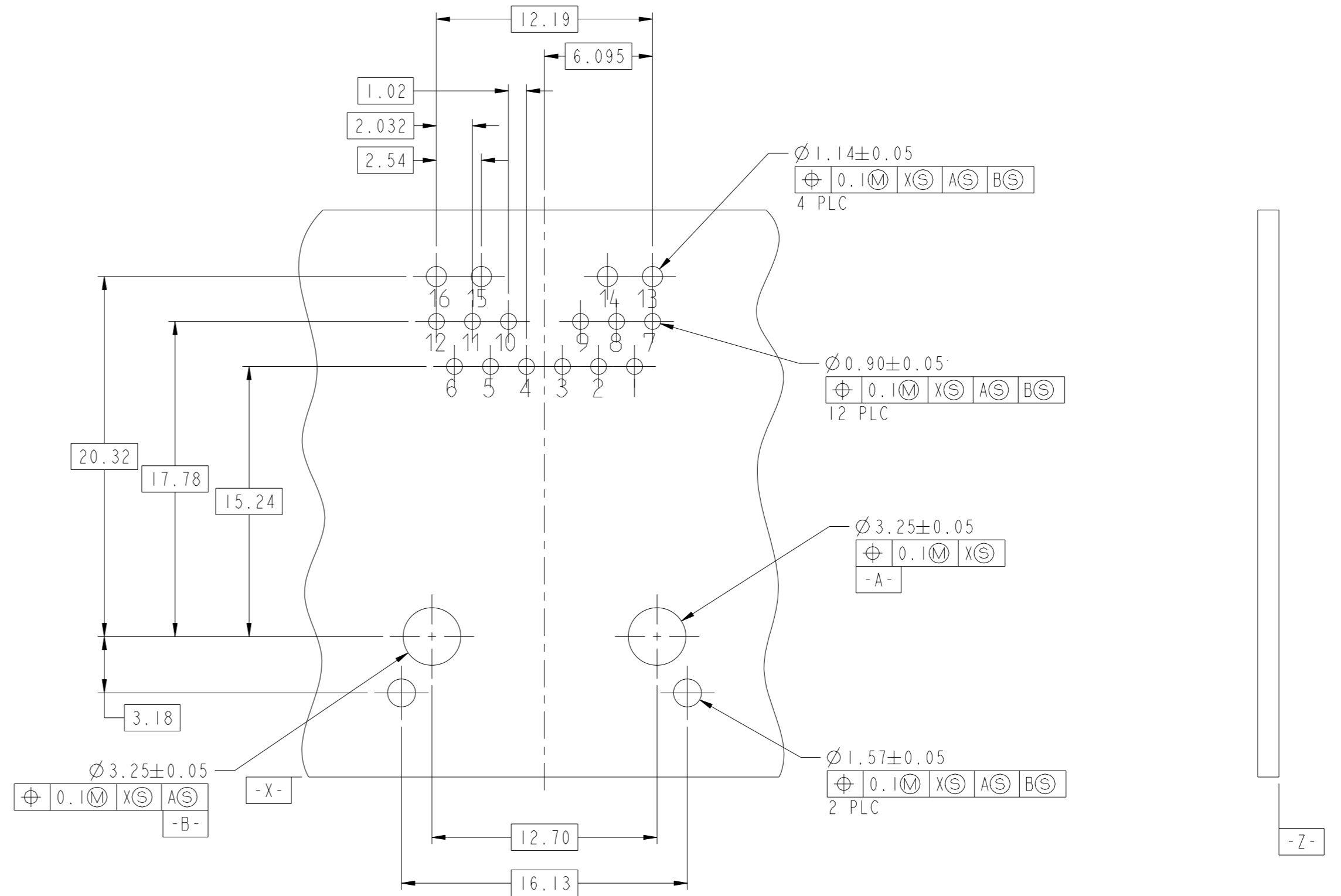

trp CONNECTOR
 a bel group
 DONGGUAN CHINA

DESC: IXI IG27 GIGABIT TAB UP W/ LED
 SIZE: A2
 CAGE CODE: C-1840791
 DRAWING NO: C-1840791
 RESTRICTED TO: -
 SCALE: NTS
 SHEET: 1 OF 2
 REV: 7

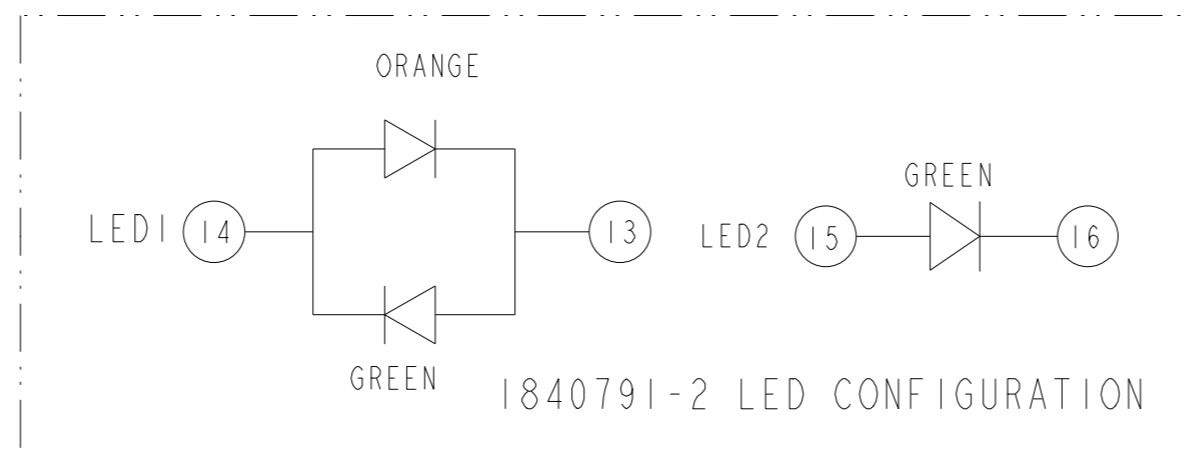
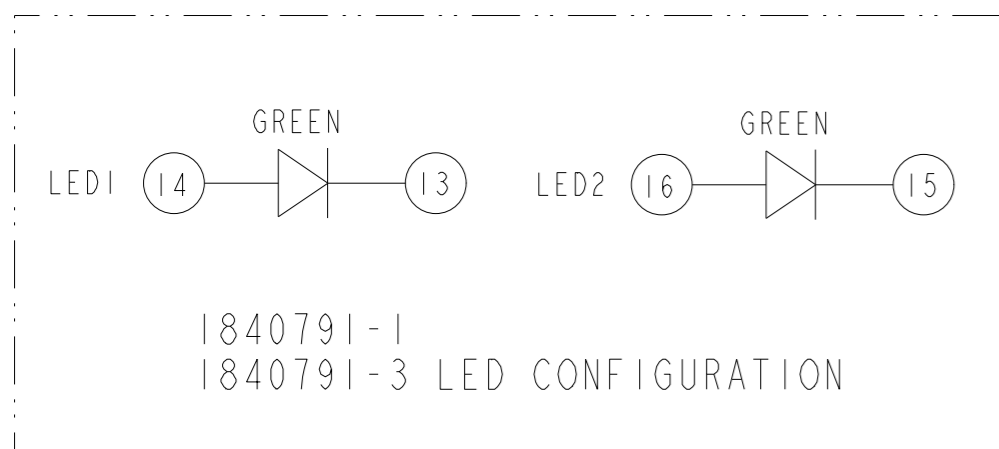
IG27 GIGABIT CIRCUIT \triangle \triangle




C1= 1000 pF, 2kV, DECOUPLING CAPACITOR
R1 - R4 = 75 OHMS, 1/16W, 5% RESISTORS



SUGGESTED CUSTOMER PCB
COMPONENT SIDE
SCALE 4:1



THIS DRAWING IS A CONTROLLED DOCUMENT.		DWN RICK LI	27APR2010	 trp CONNECTOR a bel group DONGGUAN CHINA		
DIMENSIONS: mm		CHK TONY YUAN	27APR2010			
TOLERANCES UNLESS OTHERWISE SPECIFIED:		APVD KEITH ZHU	27APR2010			
0 PLC ± 1 PLC ±0.25 2 PLC ±0.25 3 PLC ±0.25 4 PLC ± ANGLES ± APPLICATION SPEC		MODEL NAME MAGJACK SINGLE NON-POE	DESC 1X1 IG27 GIGABIT TAB UP W/ LED			
PRODUCT SPEC	-	SIZE A2	CAGE CODE -	DRAWING NO C-1840791	RESTRICTED TO -	
CUSTOMER DRAWING			SCALE NTS	SHEET 2	OF 2	REV 7