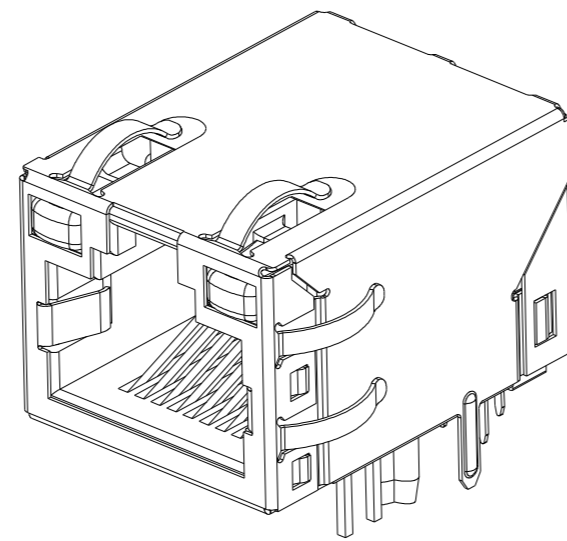
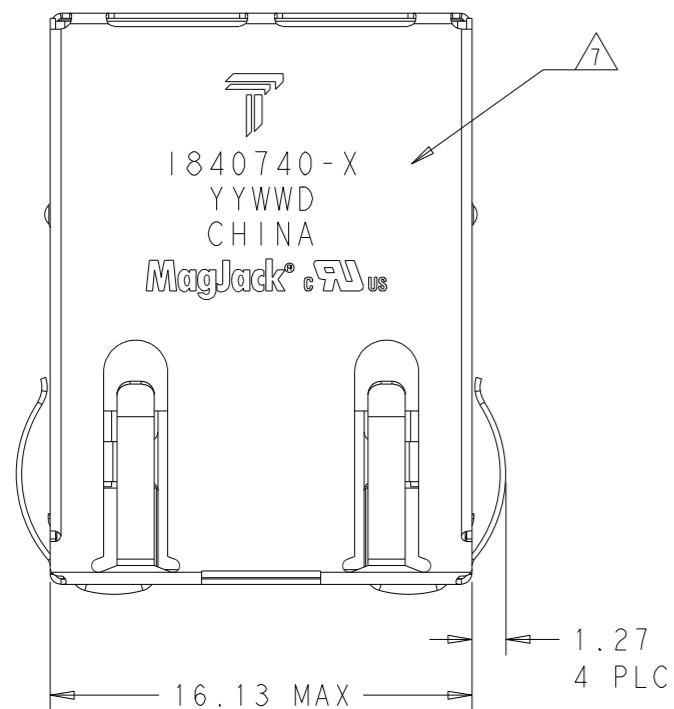


THIS DRAWING AND THE SUBJECT MATTER SHOWN THEREON ARE CONFIDENTIAL AND THE PROPERTY OF BEL/STEWART/TRP CONNECTOR AND SHALL NOT BE REPRODUCED, COPIED, OR USED IN ANY MANNER WITHOUT THE WRITTEN CONSENT OF TRP CONNECTOR.

PRODUCT MAY BE PROTECTED BY ONE OR MORE OF THE FOLLOWING US PATENTS:
 5736910 5939955 6425781 6428361 6554638 6840817 7123117
 7429195 7717749 7808751 6217391 6149050 7924130

REVISIONS				
#	LT#	DESCRIPTION	DATE	APPV
8		EC-1411035 COMPANY LOGO CHANGE	29DEC2014	DP TY



1. MATERIALS

- HOUSING: THERMOPLASTIC, FLAMMABILITY RATING UL 94V-0.
- SHIELD: BRASS 0.20mm THICK, PREPLATED WITH 0.76um MIN SEMI-BRIGHT NICKEL. SOLDER TABS POST DIPPED WITH 2.54um MIN SAC SOLDER.
- CONTACTS: PHOSPHOR BRONZE 0.46mm X 0.30mm, PHOSPHOR BRONZE, 1.27um MIN NICKEL UNDERPLATE, WITH 1.27um MIN GOLD PLATING AT MATING INTERFACE AND 2.54um MIN MATTE TIN ON SOLDER TAILS, OR 1.27um MIN NICKEL UNDERPLATE, WITH 0.05um GOLD PLATING OVER 0.76um MIN PALLADIUM NICKEL PLATING AT MATING INTERFACE AND 2.54um MIN MATTE TIN ON SOLDER TAILS.
- SOLDER TAILS: 0.25mm THICK, PHOSPHOR BRONZE, 1.27um MIN OVERALL NICKEL UNDERPLATE, 3um TIN PLATE
- LIGHT EMITTING DIODE (LED): DIFFUSED EPOXY LENS, 0.5mm X 0.5mm CARBON STEEL WIREFRAME LEADS PREPLATED WITH 2.03um MIN. SILVER PLATE OVER 1.02um MIN. NICKEL OVER 1.02um MIN. COPPER UNDERPLATE; LEADS POST-PLATED WITH 2.54um MIN. MATTE TIN, AND TIP TIN DIPPING

△ RJ45 JACK CAVITY CONFORMS TO FCC RULES AND REGULATIONS PART 68 SUB PART F.

△ 2 MAGNETICS

- APPLICATION: 10/100/1000 BASE-T
- IMPEDANCE: 100 OHMS
- TURNS RATIO (CHIP:CABLE): 1:1 ALL FOUR PAIRS
- OPEN CIRCUIT INDUCTANCE (OCL): 350uH MIN. @100kHz, 0.1VRMS, 8mADC BIAS FROM 0°C TO 70°C, ALL FOUR PAIRS
- ALL FOUR PAIRS BI-DIRECTIONAL
- PERFORMANCE @ 25°C:
- INSERTION LOSS (IL): 1.1dB MAX. FROM 0.5MHz TO 100MHz
- RETURN LOSS (RL): 18dB MIN FROM 0.5MHz TO 40MHz
- 12-20LOG(f/80)dB MIN. FROM 40.1MHz TO 100MHz
- CROSSTALK ATTENUATION: 35dB MIN. FROM 0.5MHz TO 40MHz
- 33-20LOG(f/50)dB MIN. FROM 40.1MHz TO 100MHz
- COMMON MODE REJECTION RATIO (CMRR): 30dB MIN. FROM 0.5MHz TO 100MHz
- ISOLATION VOLTAGE: 2250VDC FOR 60 SECONDS WITH A RISE TIME OF 500 V/SEC

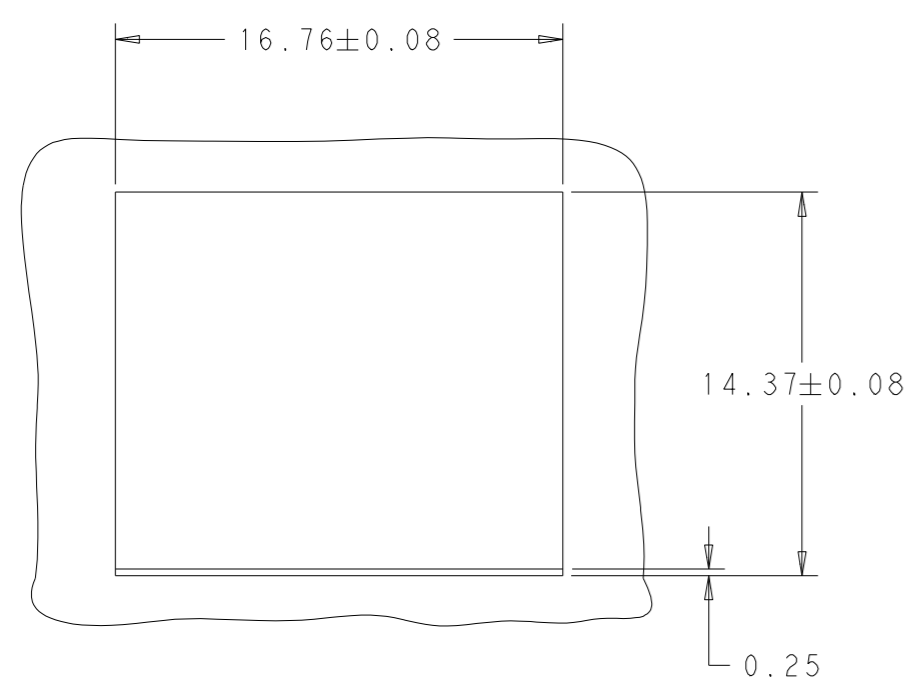
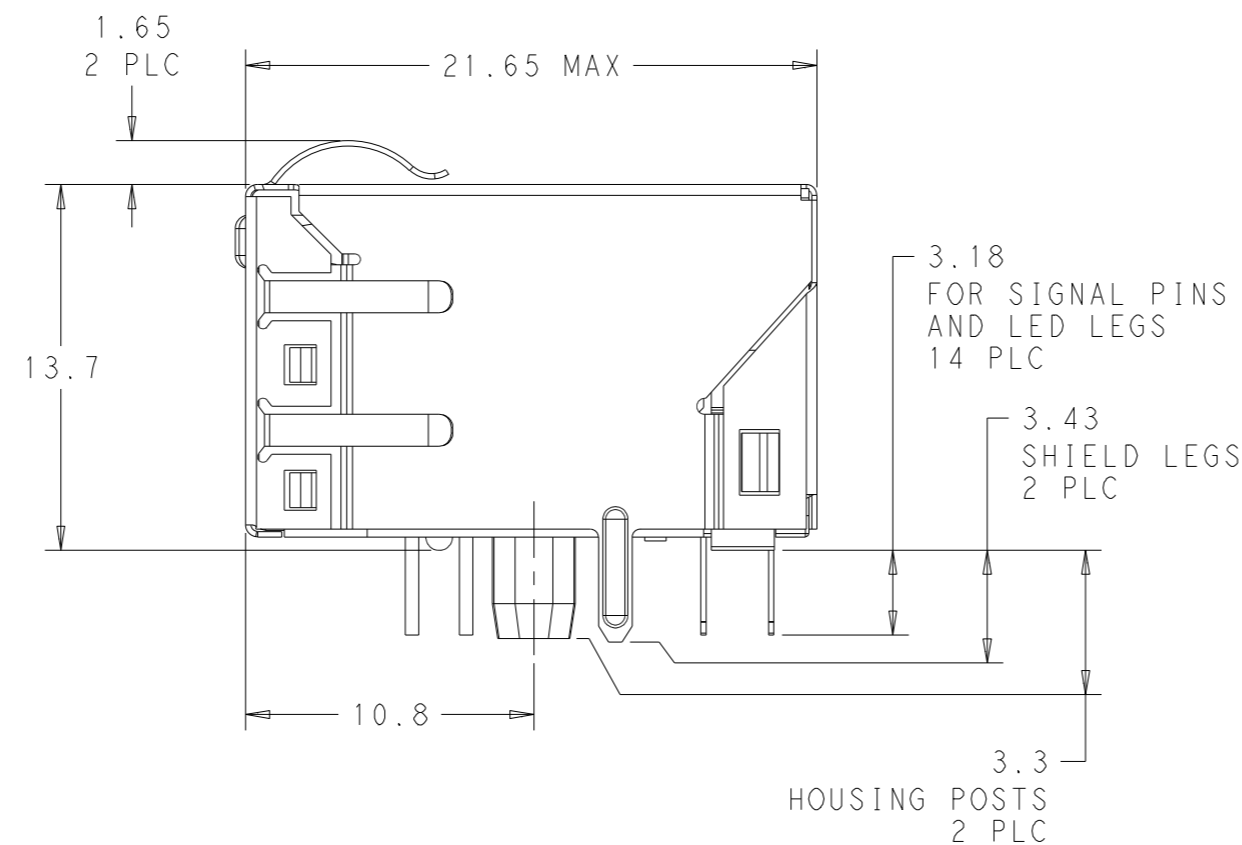
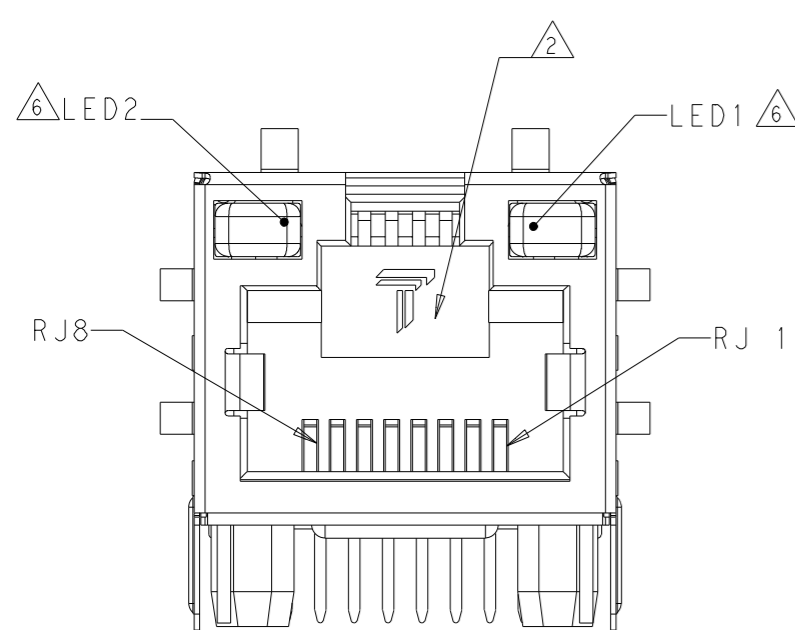
4. OPERATING TEMPERATURE: FROM 0°C TO +70°C.

△ 5 INDICATED MAGNETIC CONNECTIONS ARE SYMMETRICAL TO SUPPORT AUTO-MDI/MDIX.

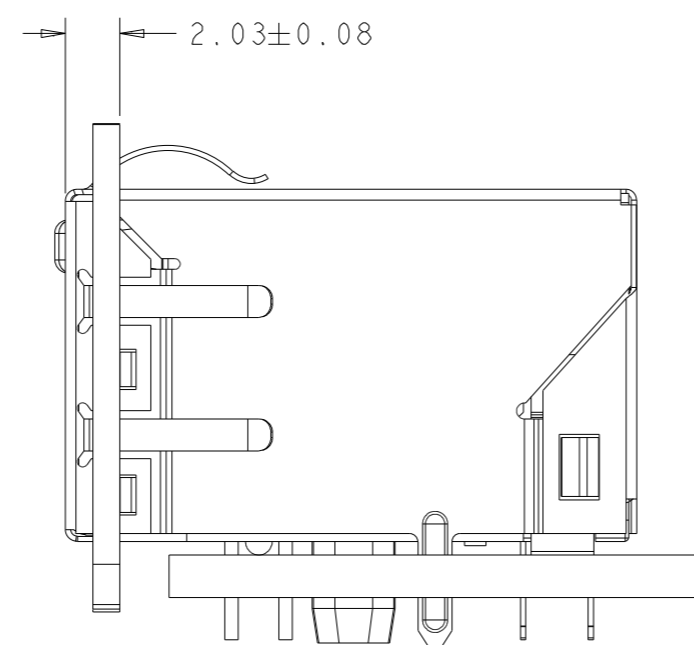
△ 6 LEDs ARE DRIVEN WITH CONSTANT CURRENT AT APPROX 20mA
 LED COLOR: DOMINATE WAVELENGTH (λD): GREEN 568 nm TYP. AT IF = 20mA
 FORWARD VOLTAGE (VF): GREEN 2.2V TYP. at IF = 20mA
 DOMINATE WAVELENGTH (λD): YELLOW 588 nm TYP. AT IF = 20mA
 FORWARD VOLTAGE (VF): YELLOW 2.1V TYP. at IF = 20mA

△ 7 TRP CONNECTOR LOGO, PART NUMBER, DATE CODE, COUNTRY OF ORIGIN AND AGENCY APPROVAL MARKING IN APPROXIMATE LOCATION SHOWN. DATE CODE: YYWW "YY" IS YEAR, "WW" IS WORK WEEK, "D" IS DAY OF WEEK, WITH SUNDAY=1.

8. PART SHOULD BE RECOMMENDED FOR WAVE SOLDERING PROCESS, PREHEAT TEMPERATURE IS 120°C TO 160°C, 120 SECONDS TO 180 SECONDS, PEAK WAVE SOLDERING TEMPERATURE IS 260°C MAX, 10 SECONDS MAX.

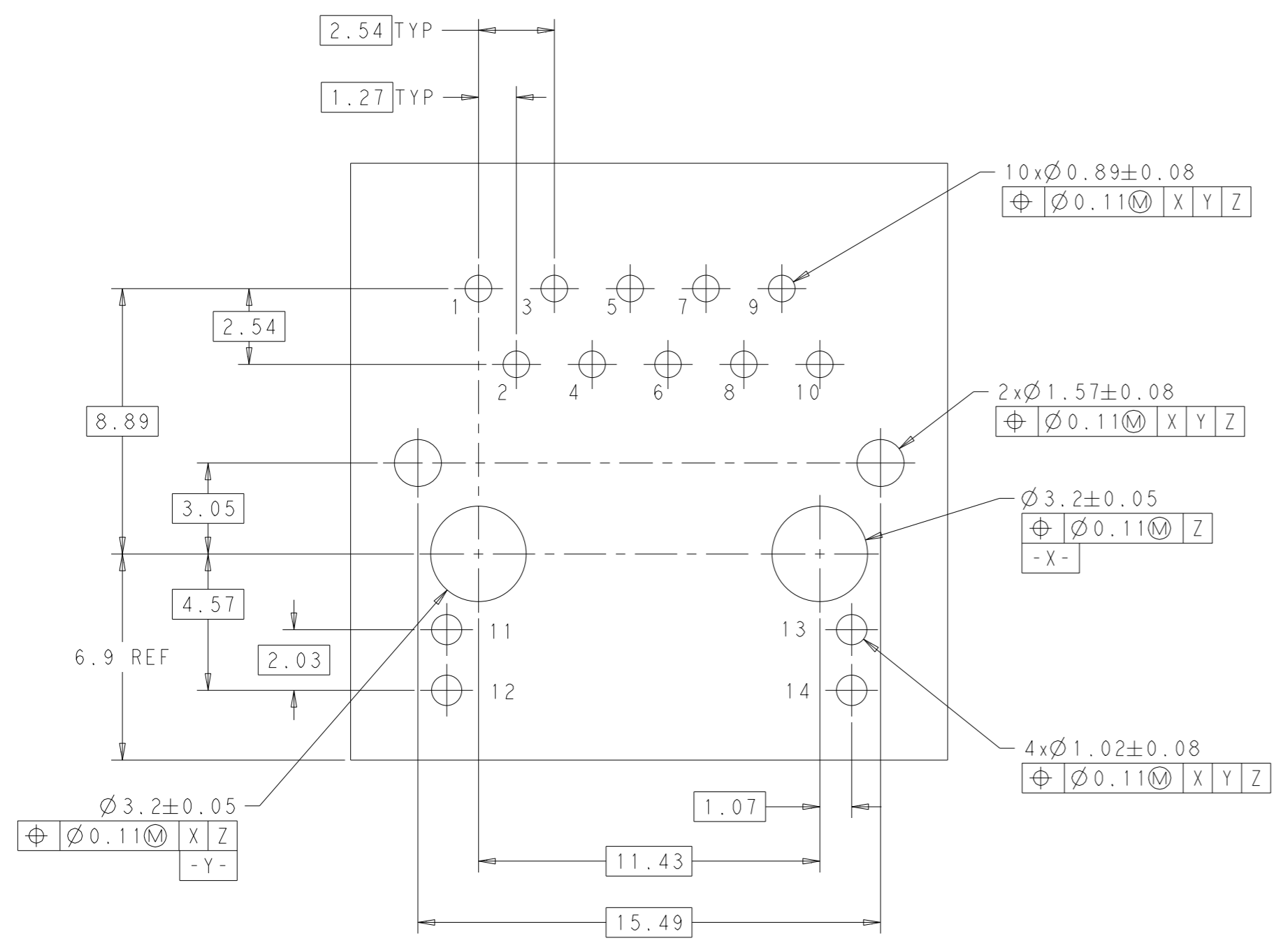


SUGGESTED CUT PANEL AND PCB

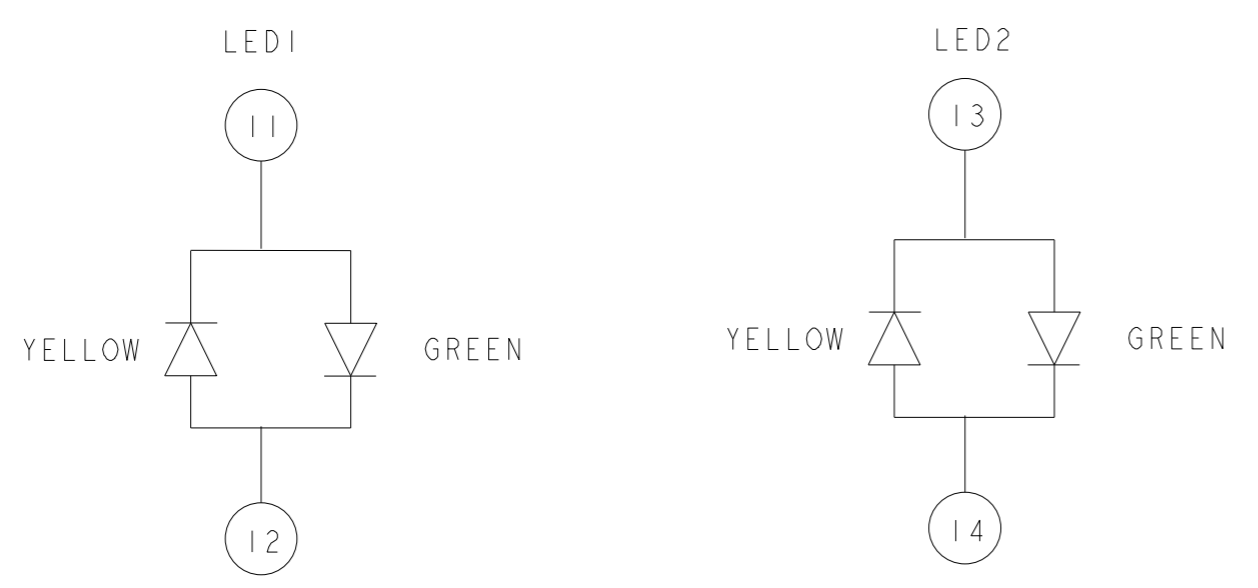


1840740-1
PART NO.

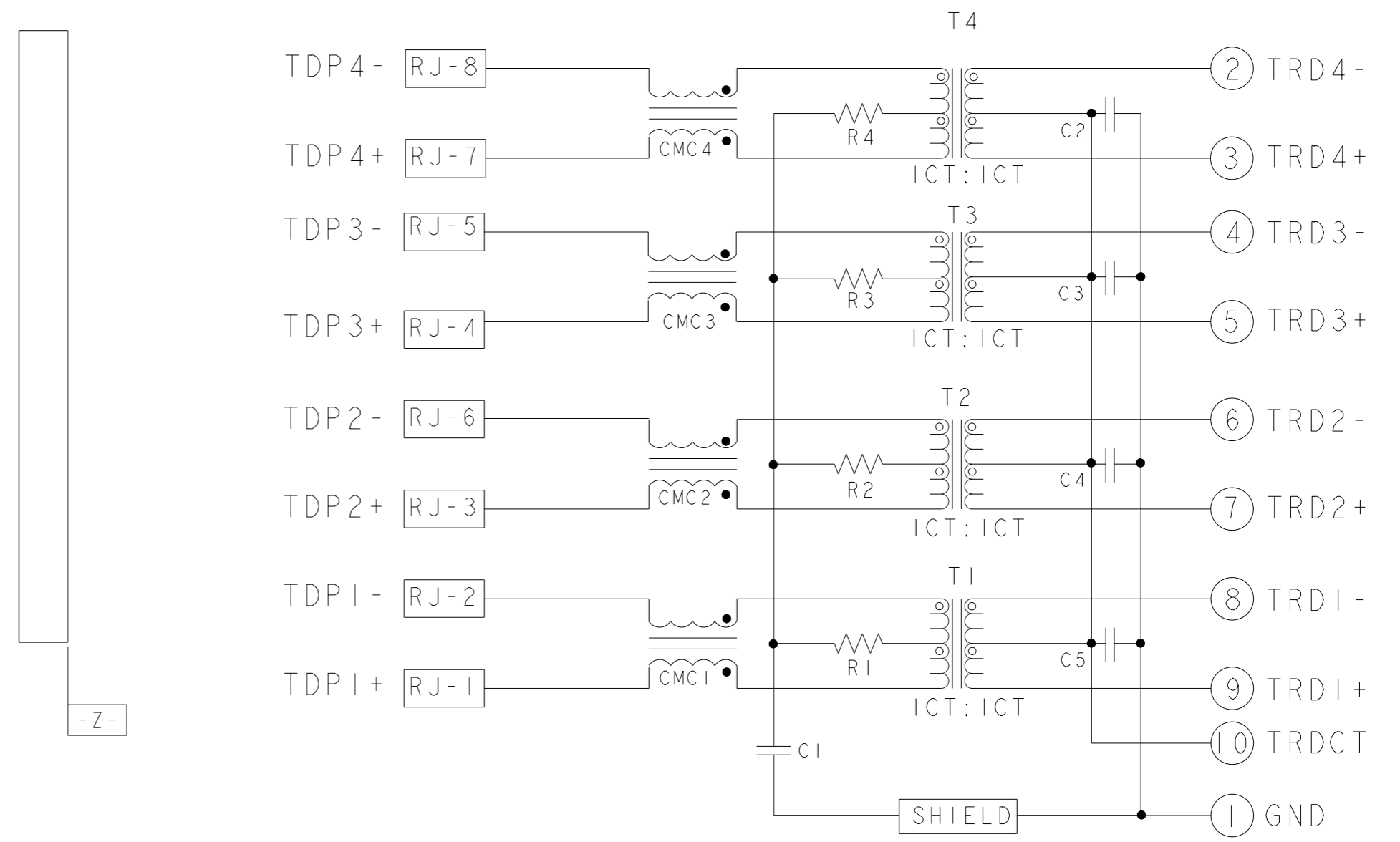
THIS DRAWING IS A CONTROLLED DOCUMENT.		OWN: ROY LIU 07APR2012	 trp CONNECTOR a bel group DONGGUAN CHINA														
DIMENSIONS: mm		CHK: TOWER YU / FRANK LIU 07APR2012															
TOLERANCES UNLESS OTHERWISE SPECIFIED:		APPV: KEITH ZHU 07APR2012															
<table border="1"> <tr><td>0 PLC</td><td>±0.25</td></tr> <tr><td>1 PLC</td><td>±0.25</td></tr> <tr><td>2 PLC</td><td>±0.25</td></tr> <tr><td>3 PLC</td><td>±0.25</td></tr> <tr><td>4 PLC</td><td>±0.25</td></tr> <tr><td>ANGLES</td><td>±</td></tr> <tr><td>APPLICATION SPEC</td><td>±</td></tr> </table>		0 PLC	±0.25	1 PLC	±0.25	2 PLC	±0.25	3 PLC	±0.25	4 PLC	±0.25	ANGLES	±	APPLICATION SPEC	±	MODEL NAME: MAGJACK	DESC: IX1 7G17PI GIGABIT TAB UP W/ LED
0 PLC	±0.25																
1 PLC	±0.25																
2 PLC	±0.25																
3 PLC	±0.25																
4 PLC	±0.25																
ANGLES	±																
APPLICATION SPEC	±																
PRODUCT SPEC		SIZE: A1	RESTRICTED TO: -														
		CAGE CODE: C=1840740	SCALE: 6:1														
		CUSTOMER DRAWING	SHEET 1 OF 3 REV 8														



SUGGESTED CUSTOMER BOARD LAYOUT
 (COMPONENT SIDE)




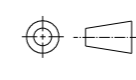
7G17P1 GIGABIT CIRCUIT



C2 - C5 = 100nF, CAPACITORS
 C1 = 1000PF, 2kV, CAPACITOR
 R1 - R4 = 75 Ohms, RESISTORS

THIS DRAWING IS A CONTROLLED DOCUMENT.		DWN: ROY LIU 07APR2012	 DONGGUAN CHINA
DIMENSIONS: mm		CHK: TOWER YU / FRANK LIU 07APR2012	
TOLERANCES UNLESS OTHERWISE SPECIFIED:		APP'D: KEITH ZHU 07APR2012	
0 PLC	±0.25	MODEL NAME	DESC: IX1 7G17P1 GIGABIT TAB UP W/ LED
1 PLC	±0.25	SIZE	CAGE CODE
2 PLC	±0.25	DRAWING NO	RESTRICTED TO
3 PLC	±0.25	SCALE	1840740
4 PLC	±	SHEET	2 OF 3
ANGLES	±	REV	8
APPLICATION SPEC		CUSTOMER DRAWING	

C_1840740					STOCK DISPOSITION			
1X1 7G17P1 GIGABIT TAB UP W/ LED					A: CONTINUE AS IS B: REWORK C: SCRAP		D: USE OLD FIRST E: PARTS TO CONFORM F: OTHER	
REVISION HISTORY								
DATE	REV	CHANGES	REASON	APPROVAL	INVENTORY (A,B,C,D,E,F)	WORK IN PROCESS (A,B,C,F)	SUPPLIER ORDERS (A,E,F)	OPEN CUST ORDERS (A,E,F)
07APR2012	1	INITIAL RELEASE	-	KEITH ZHU	-	-	-	-
12NOV2012	2	SHEET 2, CHANGE SIGNAL PIN LAYOUT	CUSTOMER REQUEST	KEITH ZHU	-	-	-	-
15NOV2012	3	SHEET 2, CHANGE LED FROM SIGNLE COLOR TO B1-COLOR SHEET 2, RESUME SIGNAL PIN LAYOUT TO REV.1	CUSTOMER REQUEST MANUFACTURE REQUEST	KEITH ZHU	-	-	-	-
22NOV2012	4	SHEET1, B4: CHANGE LED AND SIGNAL TAIL LENGTH FROM 3.68 TO 3.18	CUSTOMER REQUEST	KEITH ZHU	-	-	-	-
25APR2013	5	UPDATE CIRCUIT PER CUSTOMER REQUEST	CUSTOMER REQUEST	TONY YUAN	-	-	-	-
28JUN2013	6	LOGO CHANGE	MARKET REQUEST	KEITH ZHU	-	-	-	-
28AUG2014	7	SHEET 1, C6: CHANGE 1.27 TO 1.65 SHEET 1, B5: CORRECT PIN LENGTH FROM 3.68 TO 3.18	PRODUCT IMPROVEMENT	TONY YUAN	-	-	-	-
29DEC2014	8	EC-1411035 COMPANY LOGO CHANGE	MARKET REQUEST	TONY YUAN	-	-	-	-

THIS DRAWING IS A CONTROLLED DOCUMENT.		OWN ROY LIU	07APR2012	 TRP CONNECTOR a bel group DONGGUAN CHINA
DIMENSIONS: mm		CHK TOWER YU/ FRANK LIU	07APR2012	
		APPROV KEITH ZHU	07APR2012	
0 PLC ±0.25 1 PLC ±0.25 2 PLC ±0.25 3 PLC ±0.25 4 PLC ±0.25 ANGLES ±°		MODEL NAME MAGJACK		DESC 1X1 7G17P1 GIGABIT TAB UP W/ LED
PRODUCT SPEC APPLICATION SPEC		SINGLE NON-POE		SIZE A1 CAGE CODE DRAWING NO. C=1840740 RESTRICTED TO CUSTOMER DRAWING
		SCALE 6:1		SHEET 3 OF 3
				REV 8