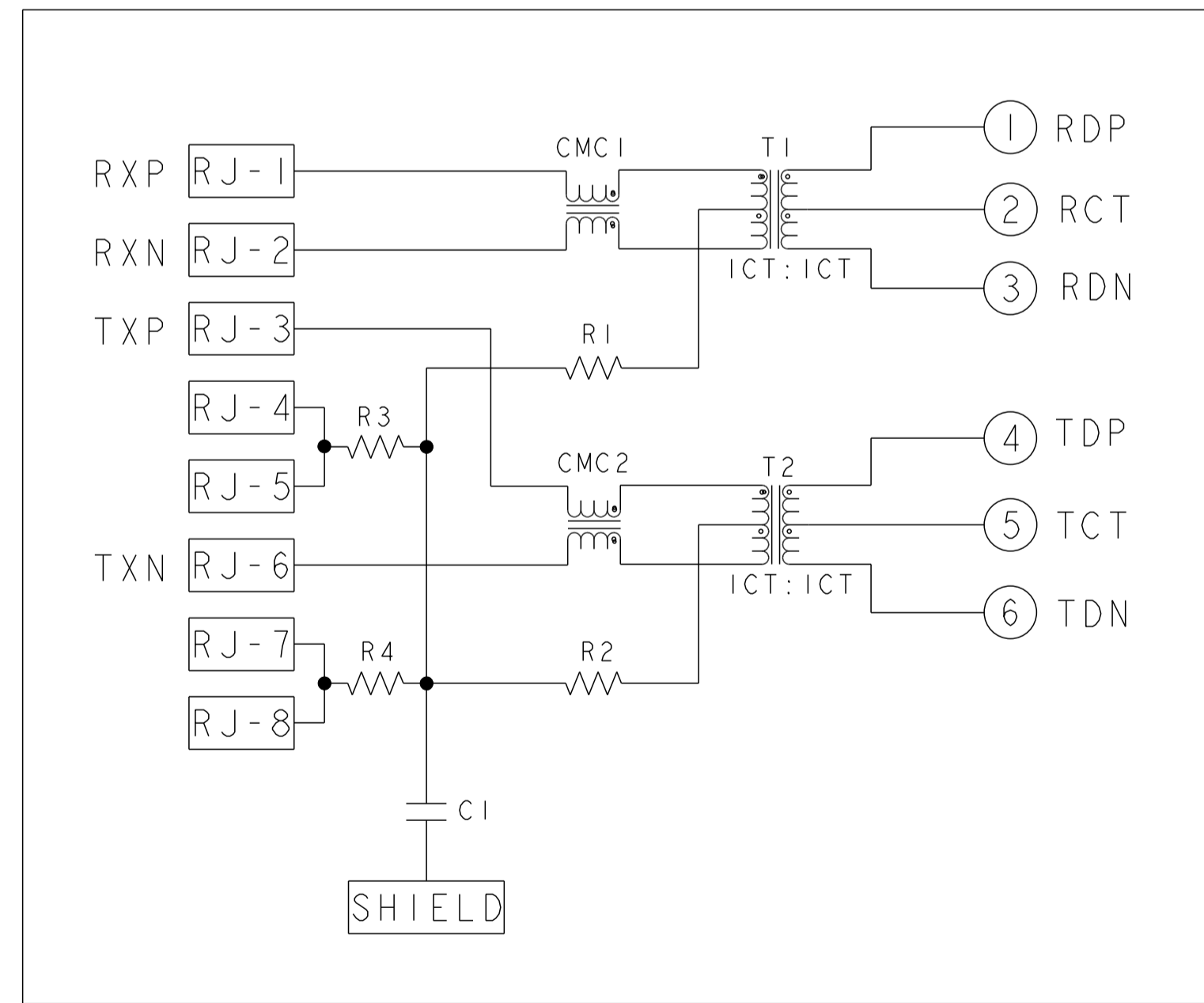


S866PI 10/100 CIRCUIT ^{△△}
TOP AND BOTTOM PORTS



C1 = 1000pF, 2kV, X7R DECOUPLING CAP
R1-R4 = 75 Ohms, RESISTORS

1. MATERIALS:
 PLASTIC HOUSING: BLACK, THERMOPLASTIC FLAMMABILITY RATING UL 94V-0
 SHIELD: BRASS, PREPLATED WITH 0.76um MIN SEMI-BRIGHT NICKEL,
 POST DIPPED WITH 2.54um MIN SAC SOLDER ON SOLDER TAILS,
 CONTACTS: PHOSPHOR BRONZE, 1.27um MIN OVERALL NICKEL
 UNDERPLATE WITH SELECTED 1.27um MIN GOLD OR WITH SELECT 0.05um
 MIN GOLD OVER 0.76um MIN PALLADIUM-NICKEL AT MATING INTERFACE
 AND 2.54um MIN MATTE TIN ON SOLDER TAILS.
 LED: DIFFUSED EPOXY LENS, CARBON STEEL LEAD FRAME TAILS OF LED
 ARE PREPLATED WITH 2.03um MIN SILVER OVER 1.02um MIN NICKEL
 UNDERPLATE OVER 1.02um MIN COPPER UNDERPLATE. POST-PLATED WITH
 2.54um MIN MATTE TIN AND/OR SAC SOLDER DIP OR PURE TIN SOLDER DIP

- △2 MAGNETICS
 APPLICATION: 10/100 BASE-T
 IMPEDANCE: 100 OHMS
 TURNS RATIO (CHIP:CABLE): TX = 1:1, RX = 1:1
 OPEN CIRCUIT INDUCTANCE (OCL): 350uH MIN @100kHz, 0.1VRMS,
 8mADC BIAS FROM 0°C TO 70°C, TX AND RX
 PERFORMANCE @ 25°C:
 INSERTION LOSS (IL): 1.1dB MAX FROM 0.5MHz TO 100MHz
 RETURN LOSS (RL): 18dB MIN FROM 0.5MHz TO 30MHz
 18-20LOG(f/30)dB MIN FROM 30.1MHz TO 60MHz
 12dB MIN FROM 60.1MHz TO 80MHz
 CROSSTALK ATTENUATION: 35dB MIN FROM 0.5MHz TO 40MHz
 33-20LOG(f/50)dB MIN FROM 40.1MHz TO 100MHz
 COMMON MODE REJECTION RATIO (CMRR): 30dB MIN FROM 0.5MHz TO 100MHz
 ISOLATION VOLTAGE: 2250VDC (MAX) FOR 60 SECONDS WITH A RISE TIME OF
 500V/SEC AND WITH ALL PORTS CONNECTED.

- △3 PART NUMBER, DATE CODE AND COUNTRY OF ORIGIN ARE
 LOCATED IN APPROXIMATE AREA SHOWN. DATE CODE: YYWW WHERE "YY" IS YEAR,
 "WW" IS WEEK, "D" IS DAY OF WEEK, WITH SUNDAY=1.

- △4 TRP CONNECTOR LOGO AND AGENCY APPROVAL LOGO ARE
 LOCATED IN APPROXIMATE AREA SHOWN.

5. OPERATING TEMP: FROM 0°C TO +70°C.

6. RJ45 CAVITY CONFORMS TO FCC RULES AND REGULATION PART 68 SUBPART F.

- △7 INDICATED MAGNETIC CONNECTIONS ARE SYMMETRICAL AND
 SUPPORT AUTO-MDI/MDIX.

- △8 DATUM AND BASIC DIMENSION ESTABLISHED BY CUSTOMER.

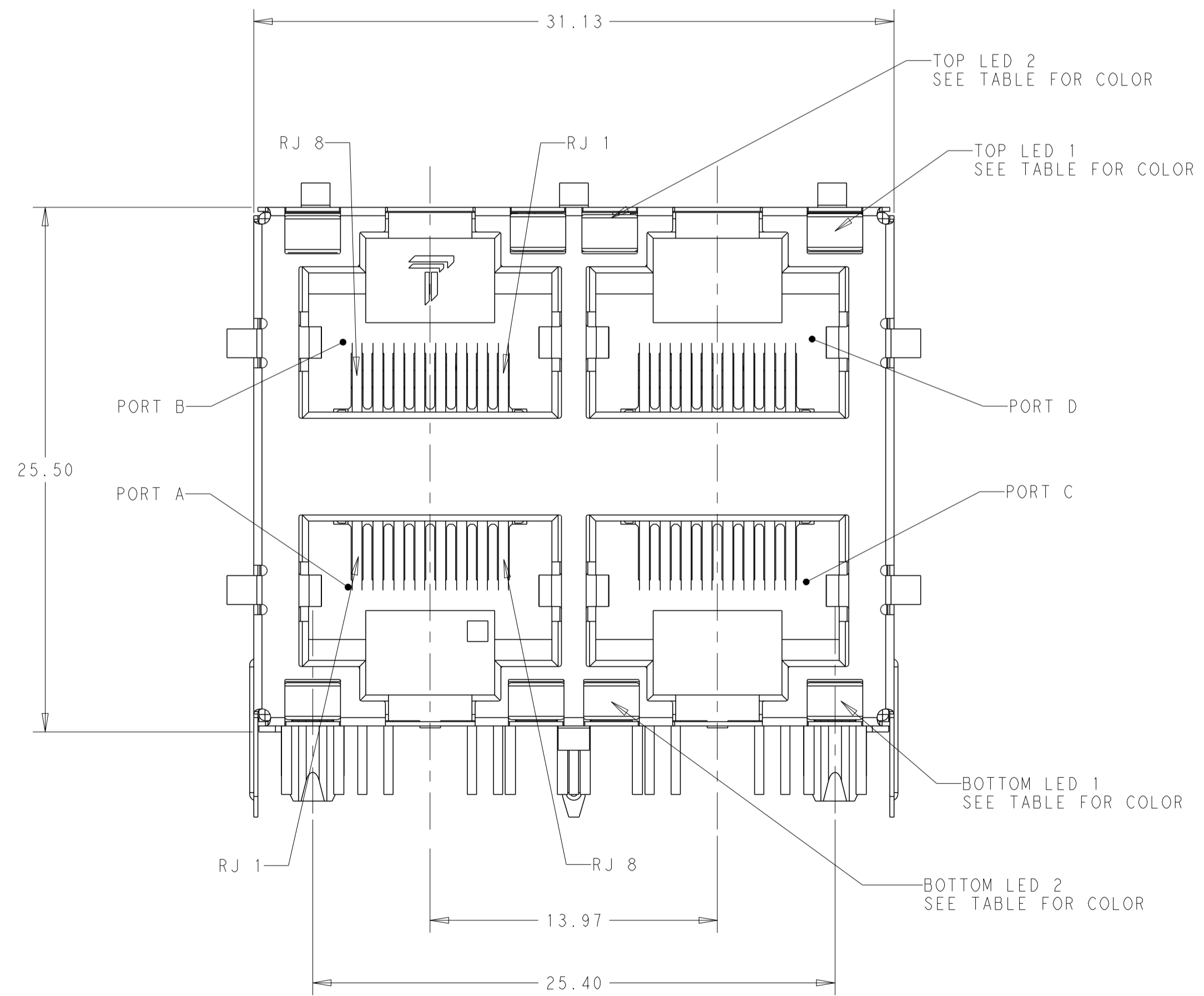
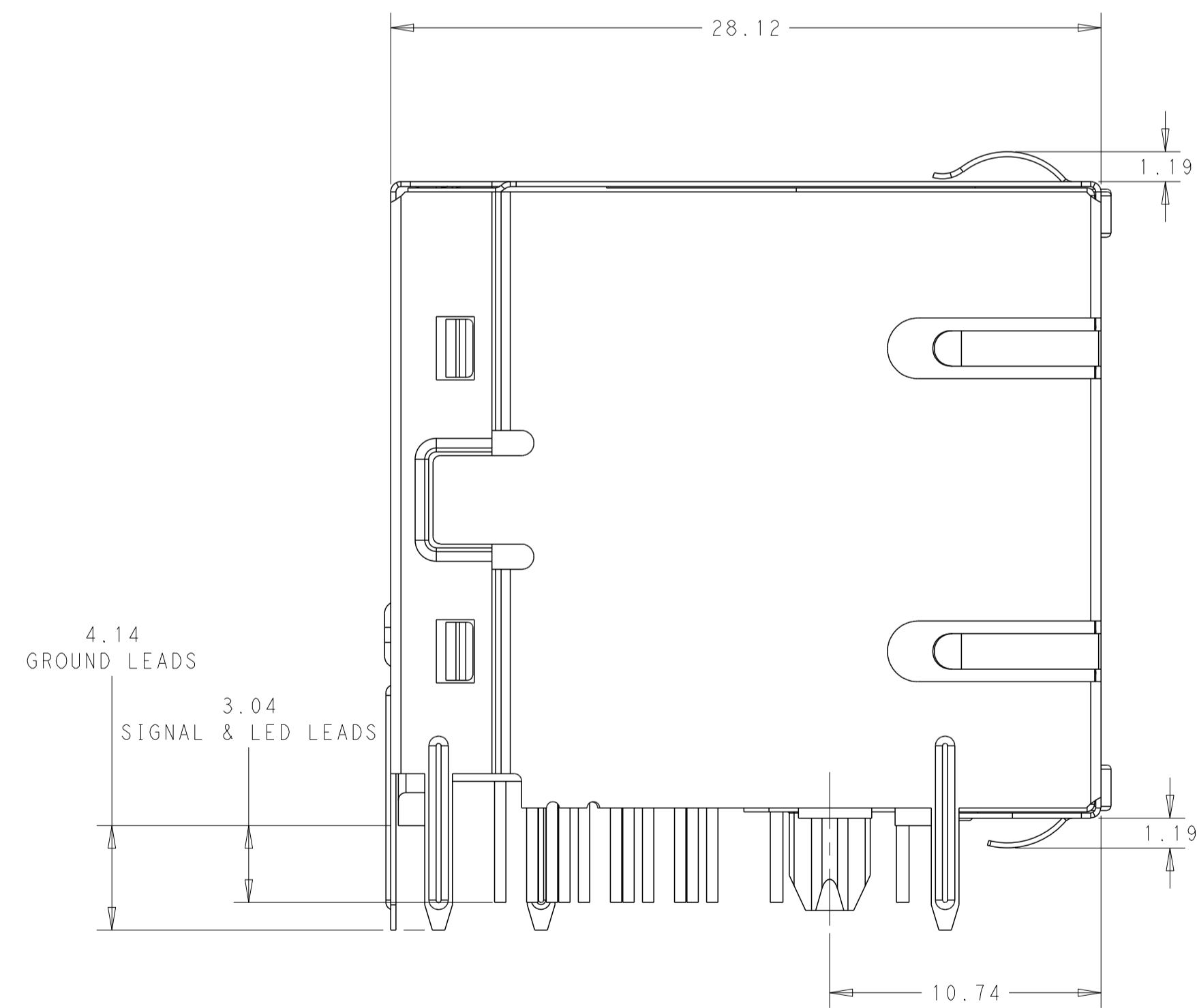
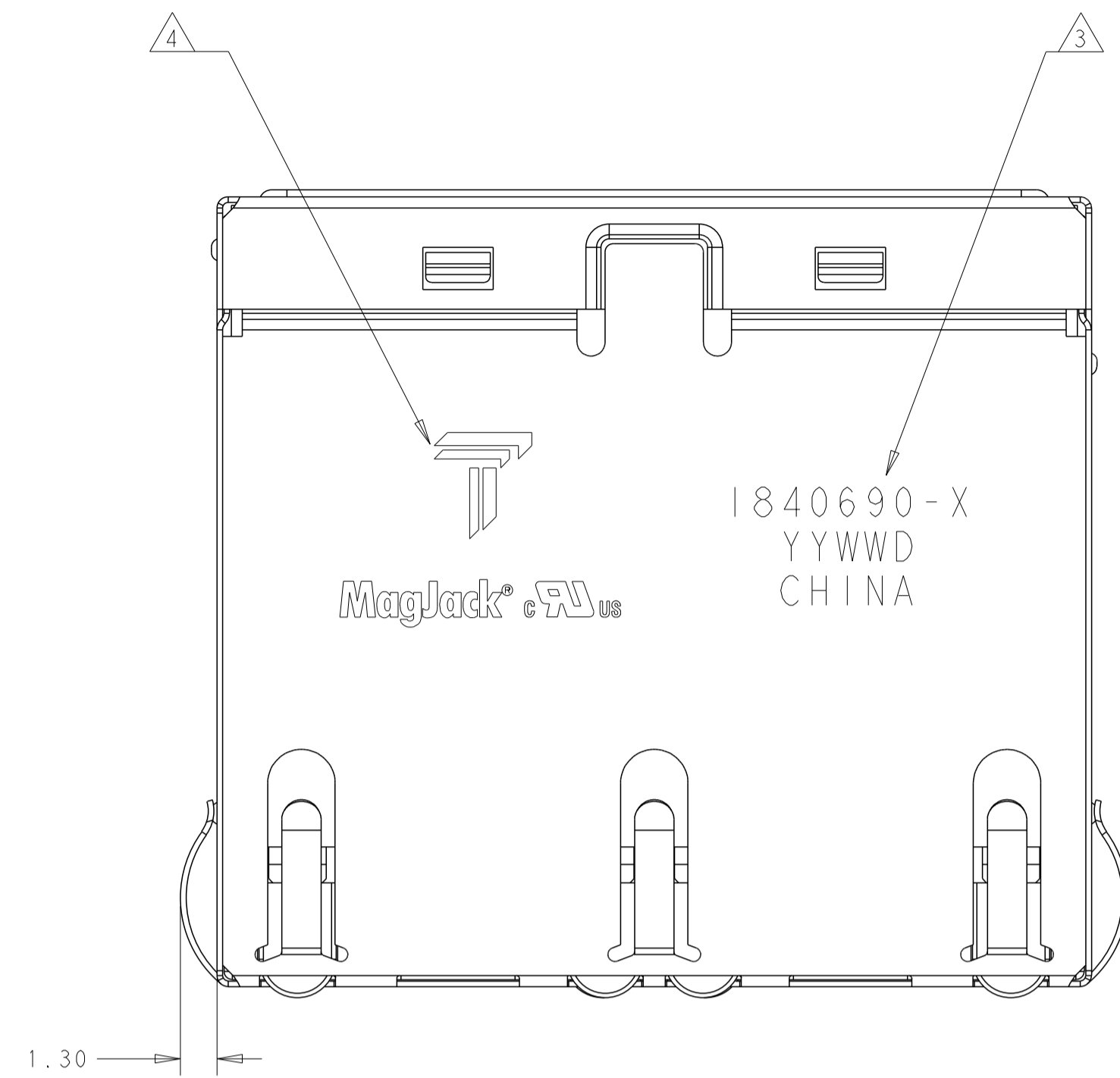
- △9 BASIC DIMENSION ESTABLISHED BY CUSTOMER, BUT MAY NOT BE
 GREATER THAN 5.08mm.


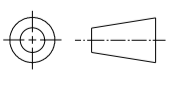
- △10 LEDS ARE DRIVEN WITH CONSTANT CURRENT AT APPROX 20mA
 LED COLOR: DOMINANT WAVELENGTH (λD): GREEN 568 nm TYP. @ IF=20mA
 FORWARD VOLTAGE (VF): GREEN 2.2V TYP. @ IF=20mA
 DOMINANT WAVELENGTH (λD): YELLOW 588 nm TYP. @ IF=20mA
 FORWARD VOLTAGE (VF): YELLOW 2.1V TYP. @ IF=20mA

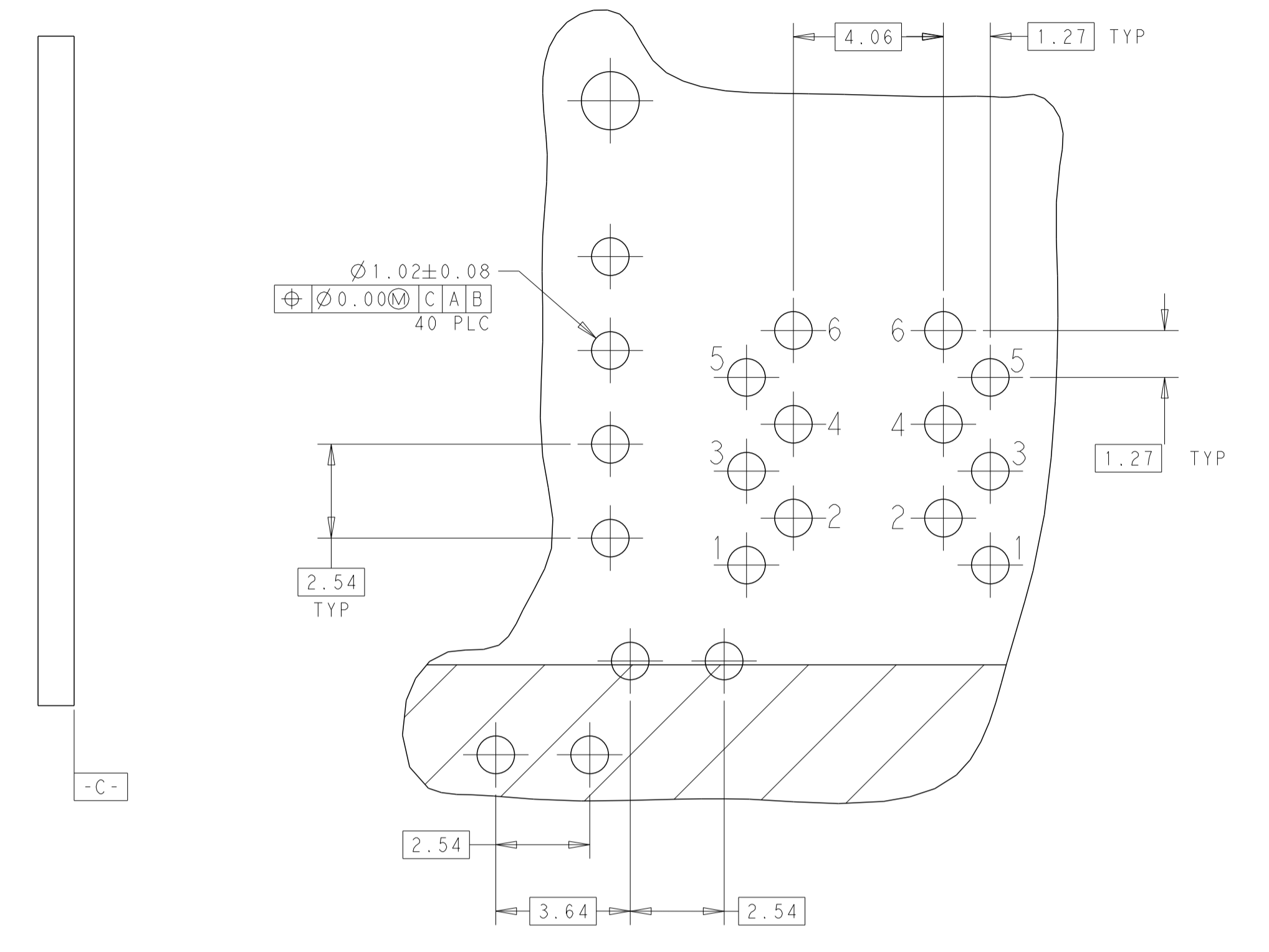
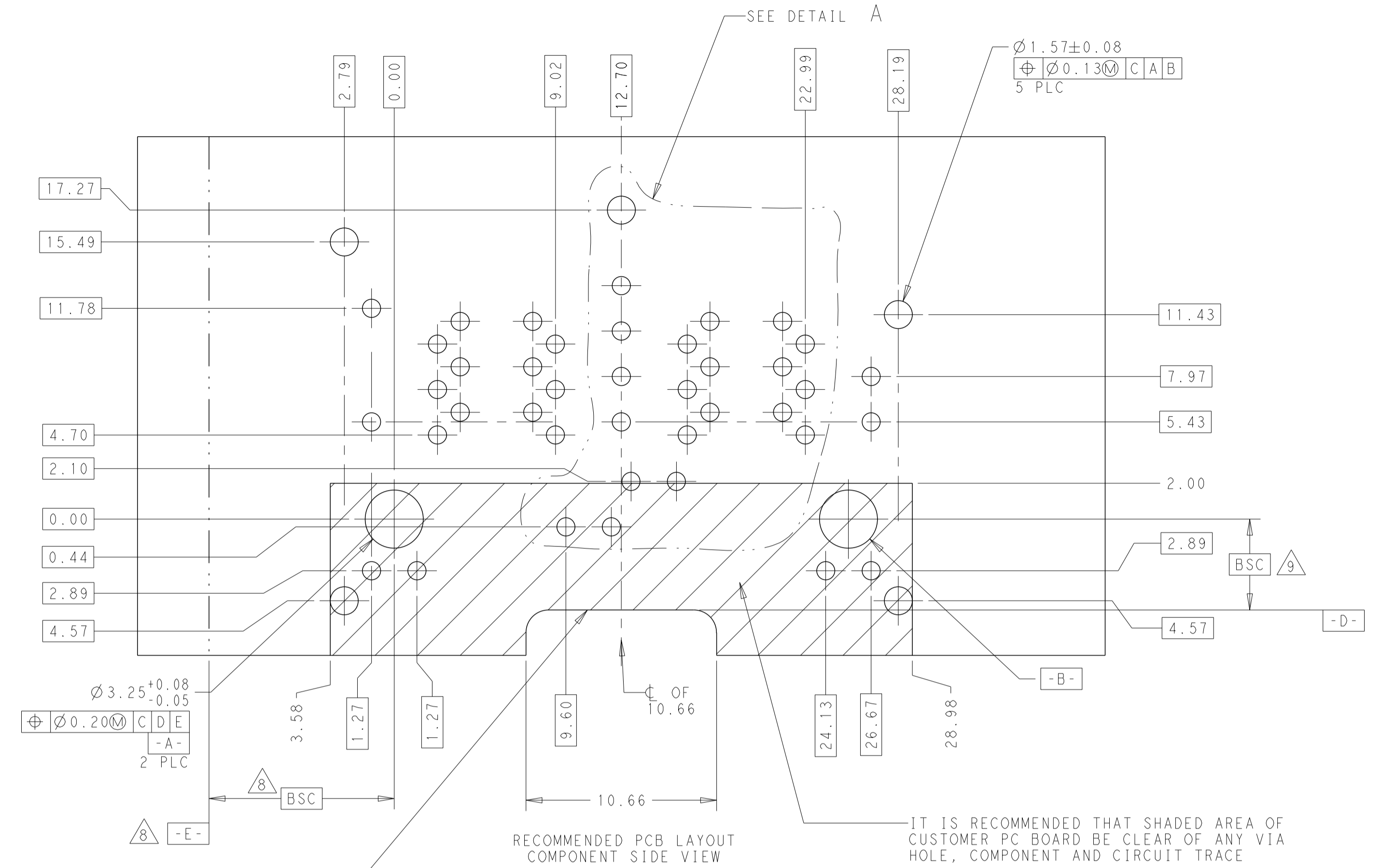
11. THE PARTS ARE RECOMMENDED FOR WAVE SOLDERING PROCESS,
 PEAK TEMPERATURE 260°C MAX, 10 SECONDS MAX.

GREEN	YELLOW	GREEN	YELLOW	1840690-3
BOTTOM LED 2	BOTTOM LED 1	TOP LED 2	TOP LED 1	PART NUMBER

THIS DRAWING IS A CONTROLLED DOCUMENT.		DWR: 09JAN2012 TOMMY REN, TERRY LIN		DONGGUAN CHINA
DIMENSIONS: mm		CHK: 09JAN2012 TONY YUAN		
TOLERANCES UNLESS OTHERWISE SPECIFIED:		APVD: 09JAN2012 KEITH ZHU		DONGGUAN CHINA
0 PLC ±0.25		MODEL NAME		
1 PLC ±0.25		MAGJACK		2X2 S866PI 10/100 W/ LED
2 PLC ±0.25		STACK Non-PoE		
3 PLC ±		SIZE		RESTRICTED TO
4 PLC ±		CAGE CODE		
ANGLES ±		DRAWING NO		-
APPLICATION SPEC ±		C=1840690		
PRODUCT SPEC 108-104004		CUSTOMER DRAWING		SCALE 4:1 SHEET 1 OF 4 REV D

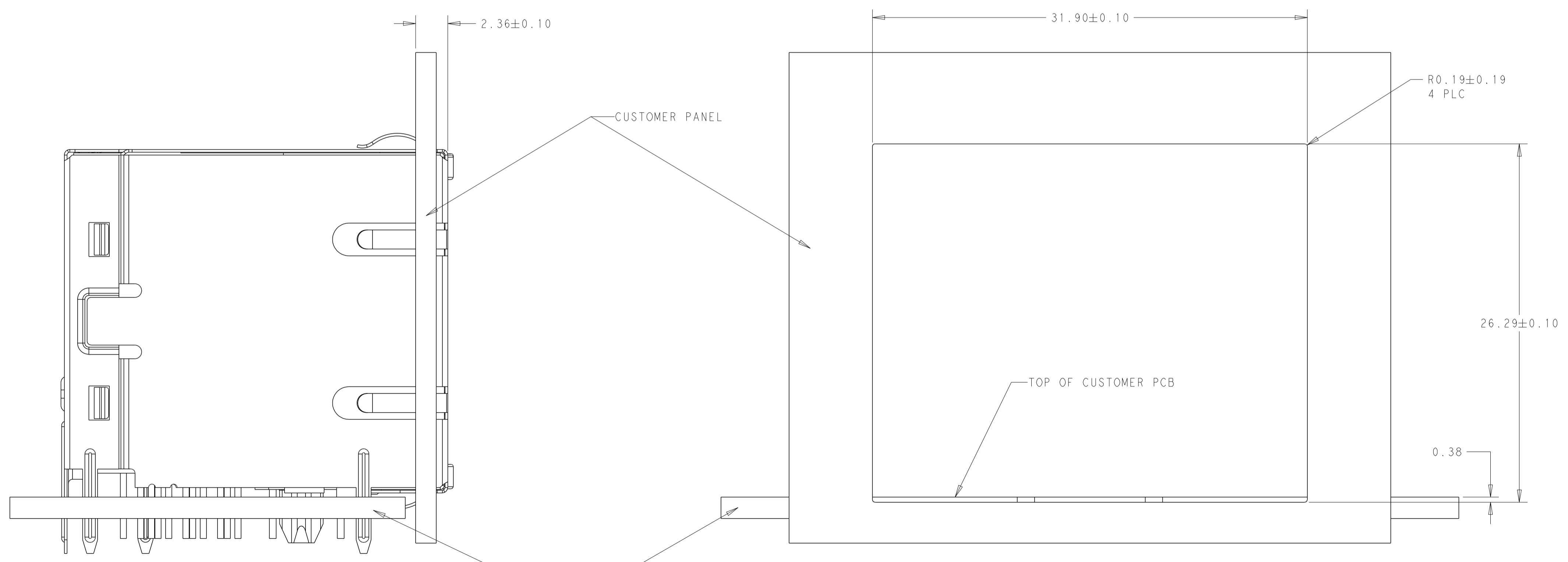


THIS DRAWING IS A CONTROLLED DOCUMENT.		DRW: 09JAN2012	 trp CONNECTOR a bel group DONGGUAN CHINA
DIMENSIONS: mm		CHK: TOMMY REN, TERRY LIN	
		APPROV: TONY YUAN	
TOLERANCES UNLESS OTHERWISE SPECIFIED:		09JAN2012	APPROV: KEITH ZHU
0 PLC ±0.25		MODEL NAME	
1 PLC ±0.25		MAGJACK	
2 PLC ±0.25		STACK Non-PoE	
3 PLC ±		SIZE CAGE CODE DRAWING NO	
4 PLC ±		A1 C=1840690	
ANGLES		CUSTOMER DRAWING	
APPLICATION SPEC		SCALE 4:1 SHEET 2 OF 4 REV D	
PRODUCT SPEC 108-104004			

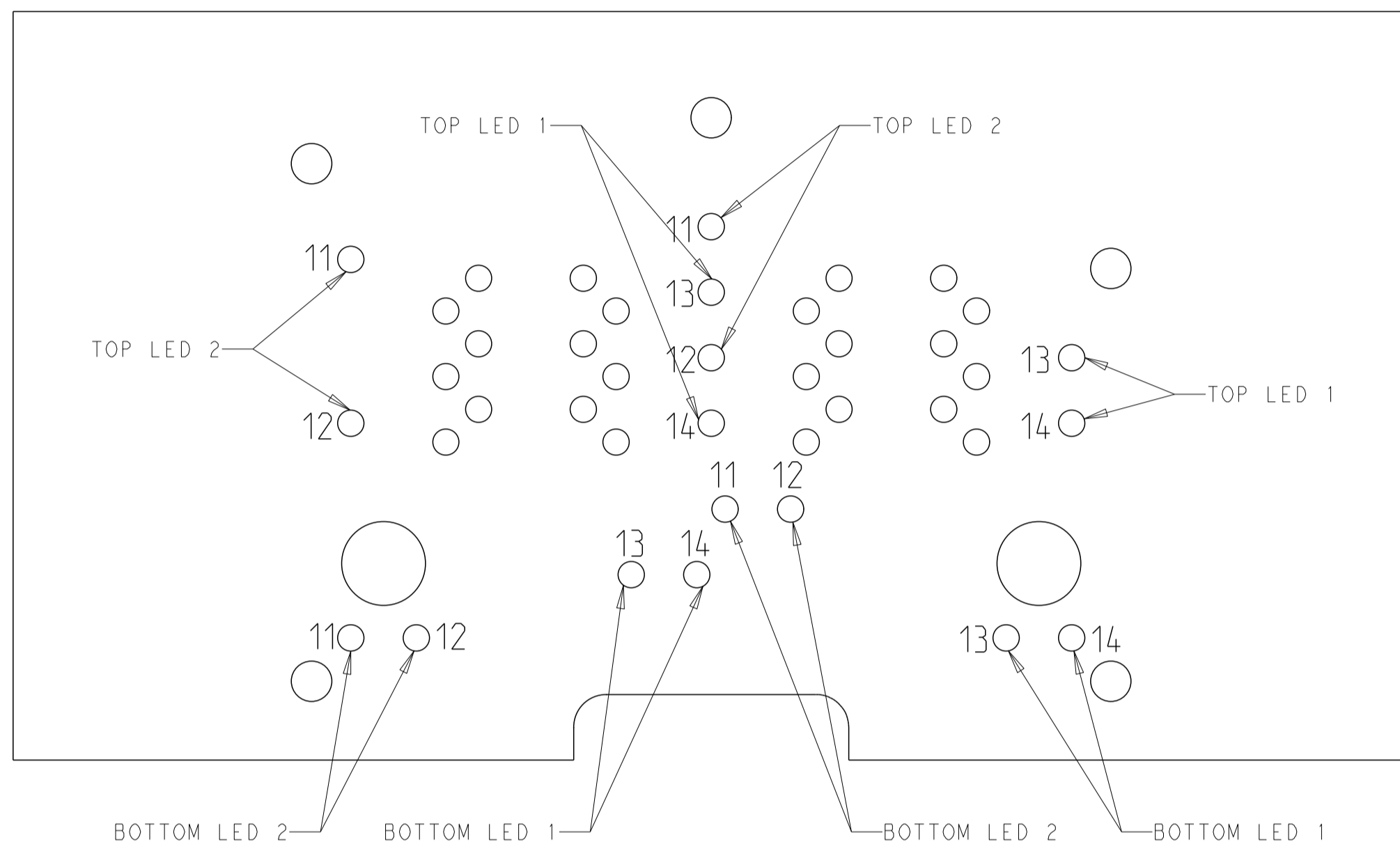


RECOMMENDED PCB FRONT EDGE CUTOUT:
 THE BOTTOM SHIELD GROUND TABS(FRONT)
 SHOULD NOT BE SEATED ON THE TOP OF THE PCB

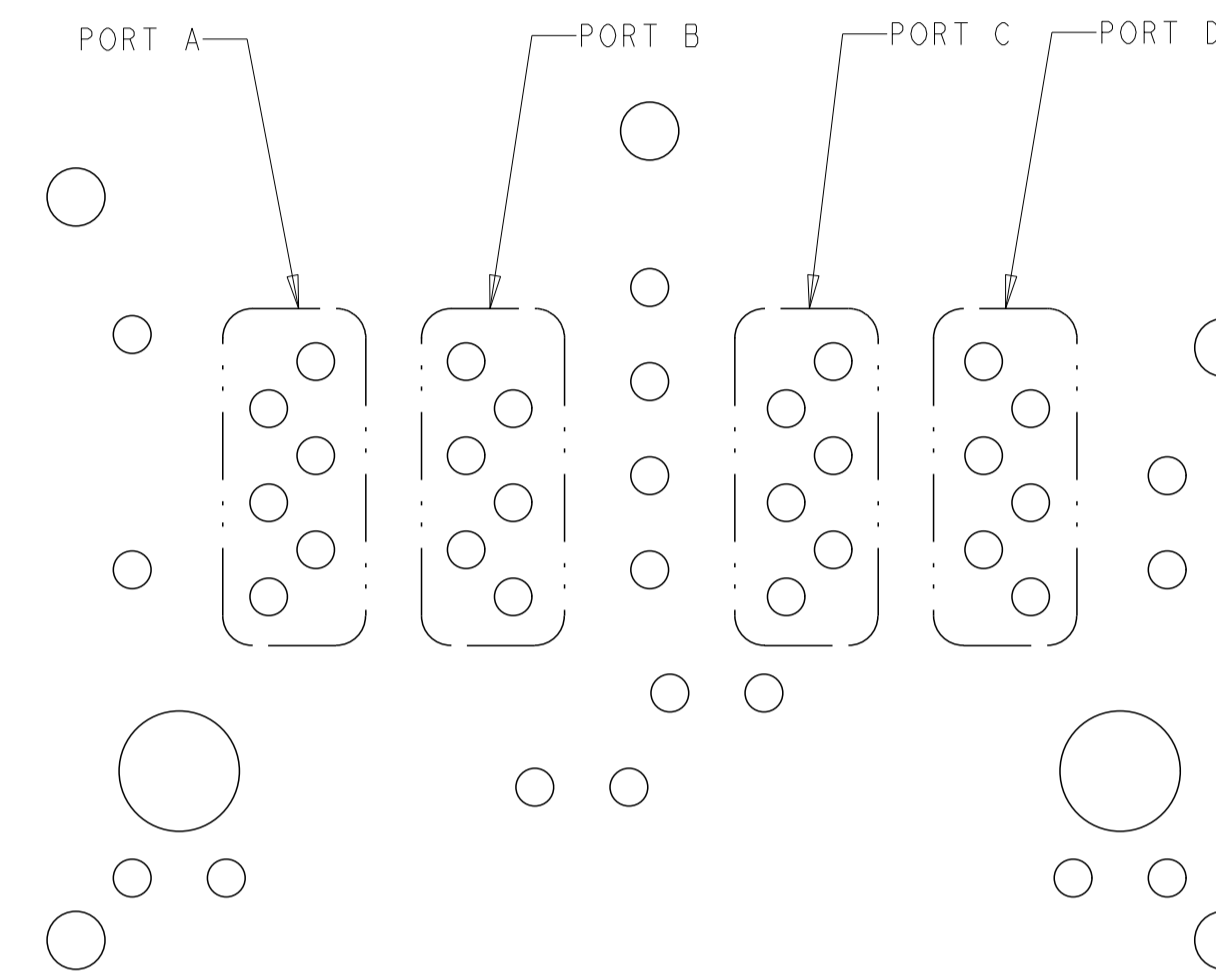
IT IS RECOMMENDED THAT SHADED AREA OF
 CUSTOMER PC BOARD BE CLEAR OF ANY VIA
 HOLE, COMPONENT AND CIRCUIT TRACE



THIS DRAWING IS A CONTROLLED DOCUMENT.		DWY: TOMMY REN, 09 JAN 2012		DONGGUAN CHINA													
		CHK: TONY YUAN, 09 JAN 2012															
DIMENSIONS: mm		APPRO: KEITH ZHU, 09 JAN 2012		DESC: 2X2 S866P1 10/100 W/ LED SIZE: A1 CAGE CODE: 1840690 DRAWING NO: 1840690 RESTRICTED TO: - SCALE: 4:1 SHEET 3 OF 4 REV D													
<table border="1"> <tr> <th>TOLERANCES UNLESS OTHERWISE SPECIFIED:</th> <th></th> </tr> <tr> <td>0 PLC</td> <td>±0.25</td> </tr> <tr> <td>1 PLC</td> <td>±0.25</td> </tr> <tr> <td>2 PLC</td> <td>±0.25</td> </tr> <tr> <td>3 PLC</td> <td>±0.25</td> </tr> <tr> <td>4 PLC</td> <td>±0.25</td> </tr> <tr> <td>ANGLES</td> <td>±</td> </tr> </table>		TOLERANCES UNLESS OTHERWISE SPECIFIED:			0 PLC	±0.25	1 PLC	±0.25	2 PLC	±0.25	3 PLC	±0.25	4 PLC	±0.25	ANGLES	±	MODEL NAME: MAGJACK PRODUCT SPEC: STACK Non-PoE APPLICATION SPEC: -
TOLERANCES UNLESS OTHERWISE SPECIFIED:																	
0 PLC	±0.25																
1 PLC	±0.25																
2 PLC	±0.25																
3 PLC	±0.25																
4 PLC	±0.25																
ANGLES	±																

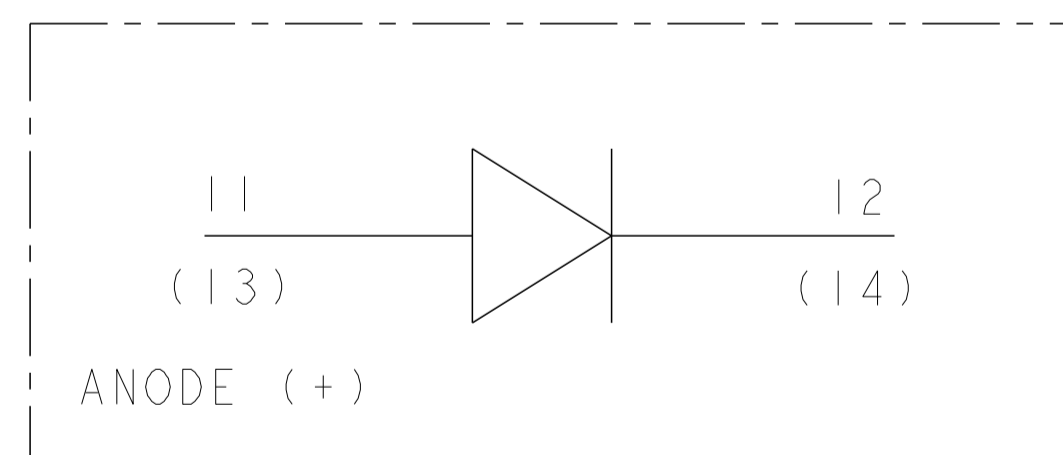



LED HOLE DESIGNATIONS
VIEWED FROM COMPONENT SIDE



PORT DESIGNATIONS
VIEWED FROM COMPONENT SIDE

SINGLE COLOR LED



THIS DRAWING IS A CONTROLLED DOCUMENT.		DRW: TOMMY REN, TERRY LIN 09 JAN 2012	 trp CONNECTOR a bel group	DONGGUAN CHINA
DIMENSIONS: mm		CHK: TONY YUAN 09 JAN 2012		DESC: 2X2 S866P1 10/100 W/ LED
TOLERANCES UNLESS OTHERWISE SPECIFIED:		APPR: KEITH ZHU 09 JAN 2012	MODEL NAME: MAGJACK	RESTRICTED TO: -
0 PLC ±0.25 1 PLC ±0.25 2 PLC ±0.25 3 PLC ± 4 PLC ± ANGLES ±		PRODUCT SPEC: 108-104004	APPLICATION SPEC: -	SCALE: 4:1
CUSTOMER DRAWING			SIZE: A1	CAGE CODE: C=1840690
			SHEET: 4 OF 4	REV: D