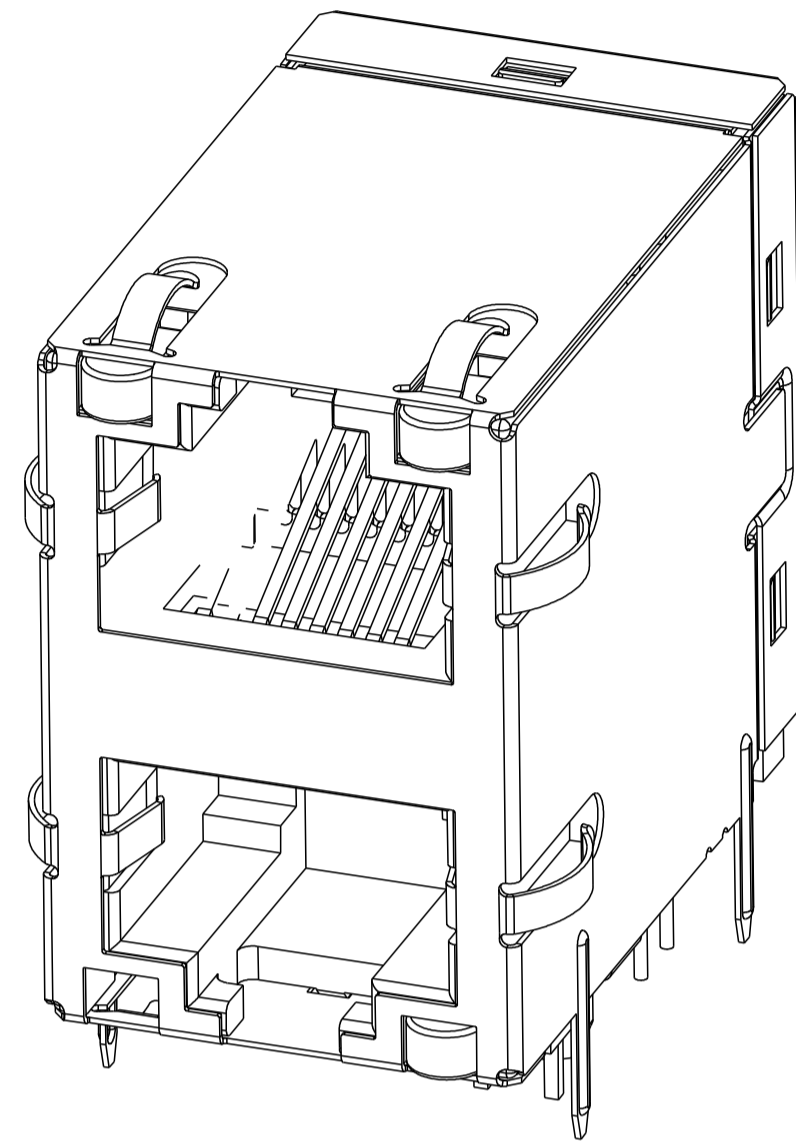


THIS DRAWING AND THE SUBJECT MATTER SHOWN THEREON ARE CONFIDENTIAL AND THE PROPERTY OF BEL/STEWART/TRP CONNECTOR AND SHALL NOT BE REPRODUCED, COPIED, OR USED IN ANY MANNER WITHOUT THE WRITTEN CONSENT OF TRP CONNECTOR.

PRODUCT MAY BE PROTECTED BY ONE OR MORE OF THE FOLLOWING US PATENTS:
 5736910 5939955 6425781 6428361 6554638 6840817 7123117
 7429195 7717749 7808751 6217391 6149050 7924130

REVISIONS				
P	LTR	DESCRIPTION	DATE	DRW APPD
3		EC-1411035 COMPANY LOGO CHANGE	18DEC2014	GZ TY



1. MATERIALS:
 PLASTIC HOUSING: BLACK, THERMOPLASTIC FLAMMABILITY RATING UL 94V-0
 SHIELD: BRASS, PREPLATED WITH 0.76um MIN SEMI-BRIGHT NICKEL,
 POST DIPPED WITH 2.54um MIN SAC SOLDER ON SOLDER TAILS,
 CONTACTS: PHOSPHOR BRONZE, 1.27um MIN OVERALL NICKEL
 UNDERPLATE WITH SELECT 1.27um MIN GOLD OR WITH SELECT 0.05um
 MIN GOLD OVER 0.76 um MIN PALLADIUM-NICKEL AT MATING INTERFACE
 AND 2.54um MIN MATTE TIN ON SOLDER TAILS.
 ALL PC BOARDS: HIGH TEMPERATURE PCB, TG>170°C

2. MAGNETICS
 APPLICATION: 10/100 BASE-T
 IMPEDANCE: 100 OHMS
 TURNS RATIO (CHIP:CABLE): TX = 1:1, RX = 1:1
 OPEN CIRCUIT INDUCTANCE (OCL): 350uH MIN @100kHz, 0.1VRMS,
 8mADC BIAS FROM 0°C TO 70°C, TX AND RX

PERFORMANCE @ 25°C:
 INSERTION LOSS (IL): 1.1dB MAX FROM 0.5MHz TO 100MHz
 RETURN LOSS (RL): 18dB MIN FROM 0.5MHz TO 30MHz
 18-20LOG(f/30)dB MIN FROM 30.1MHz TO 60MHz
 12dB MIN FROM 60.1MHz TO 80MHz
 CROSSTALK ATTENUATION: 35dB MIN FROM 0.5MHz TO 40MHz
 33-20LOG(f/50)dB MIN FROM 40.1MHz TO 100MHz
 COMMON MODE REJECTION RATIO (CMRR): 30dB MIN FROM 0.5MHz TO 100MHz
 ISOLATION VOLTAGE: 2250VDC (MAX) FOR 60 SECONDS WITH A RISE TIME
 OF 500V/SEC AND WITH ALL PORTS CONNECTED.

3. PART NUMBER, DATE CODE AND COUNTRY OF ORIGIN ARE LOCATED IN APPROXIMATE AREA SHOWN. DATE CODE: "YY" IS YEAR, "WW" IS WORK WEEK, "D" IS DAY OF WEEK, WITH SUNDAY=1

4. TRP CONNECTOR LOGO AND AGENCY APPROVAL LOGO ARE LOCATED IN APPROXIMATE AREA SHOWN.

5. OPERATING TEMP: FROM 0°C TO +70°C.

6. RJ45 CAVITY CONFORMS TO FCC RULES AND REGULATION PART 68 SUBPART F.

7. INDICATED MAGNETIC CONNECTIONS ARE SYMMETRICAL AND SUPPORT AUTO-MDI/MDIX.

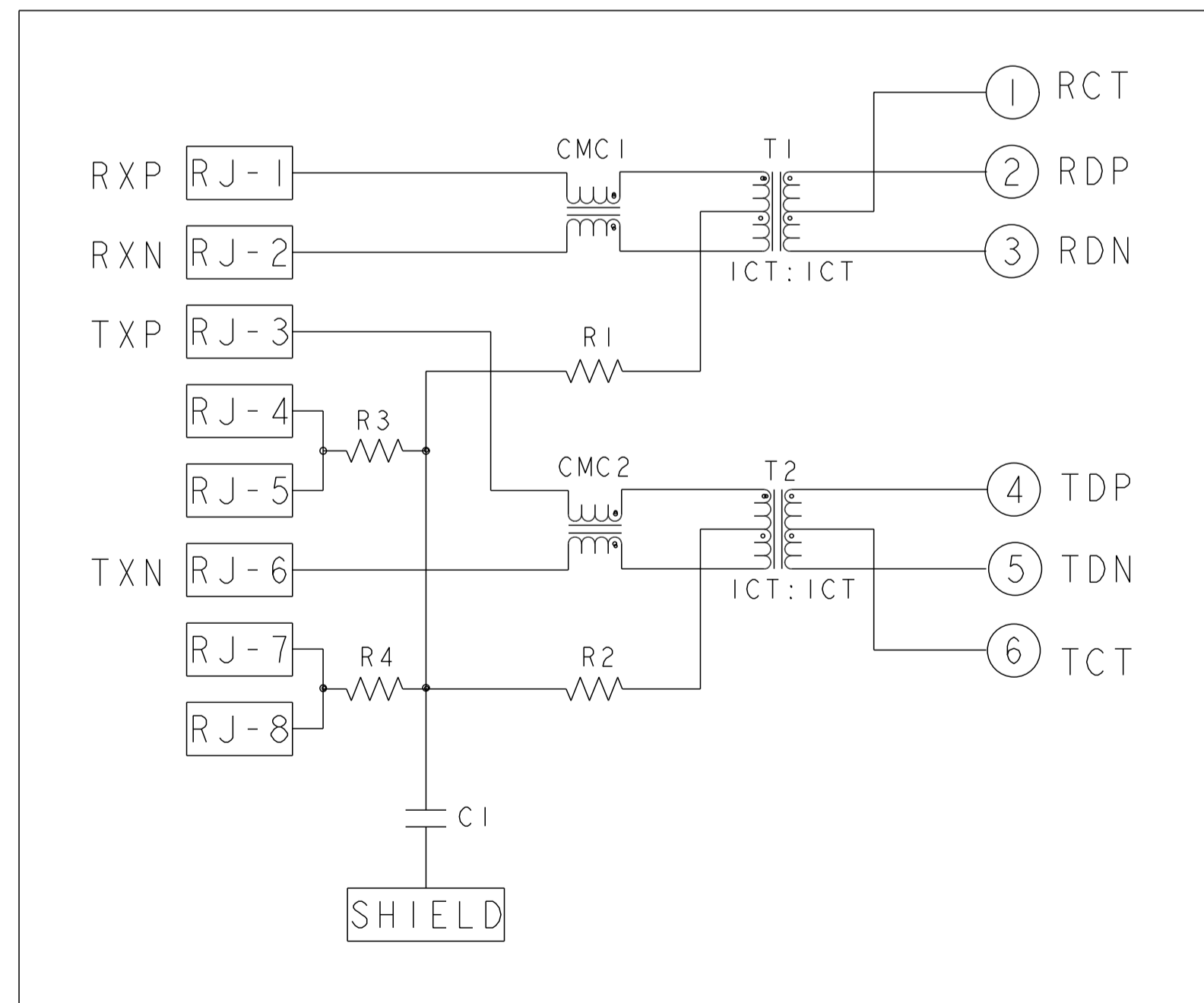
8. DATUM AND BASIC DIMENSION ESTABLISHED BY CUSTOMER.

9. BASIC DIMENSION ESTABLISHED BY CUSTOMER, BUT MAY NOT BE GREATER THAN 5.08mm.

10. LEDs ARE DRIVEN WITH CONSTANT CURRENT AT APPROX 20mA
 LED COLOR: DOMINANT WAVELENGTH (ID): GREEN 568 nm TYP. @ IF=20mA
 FORWARD VOLTAGE (VF): GREEN 2.2V TYP. @ IF=20mA
 DOMINANT WAVELENGTH (ID): YELLOW 588 nm TYP. @ IF=20mA
 FORWARD VOLTAGE (VF): YELLOW 2.1V TYP. @ IF=20mA

11. THE PARTS ARE RECOMMENDED FOR WAVE SOLDERING PROCESS, PEAK TEMPERATURE 260°C MAX, 10 SECONDS MAX.

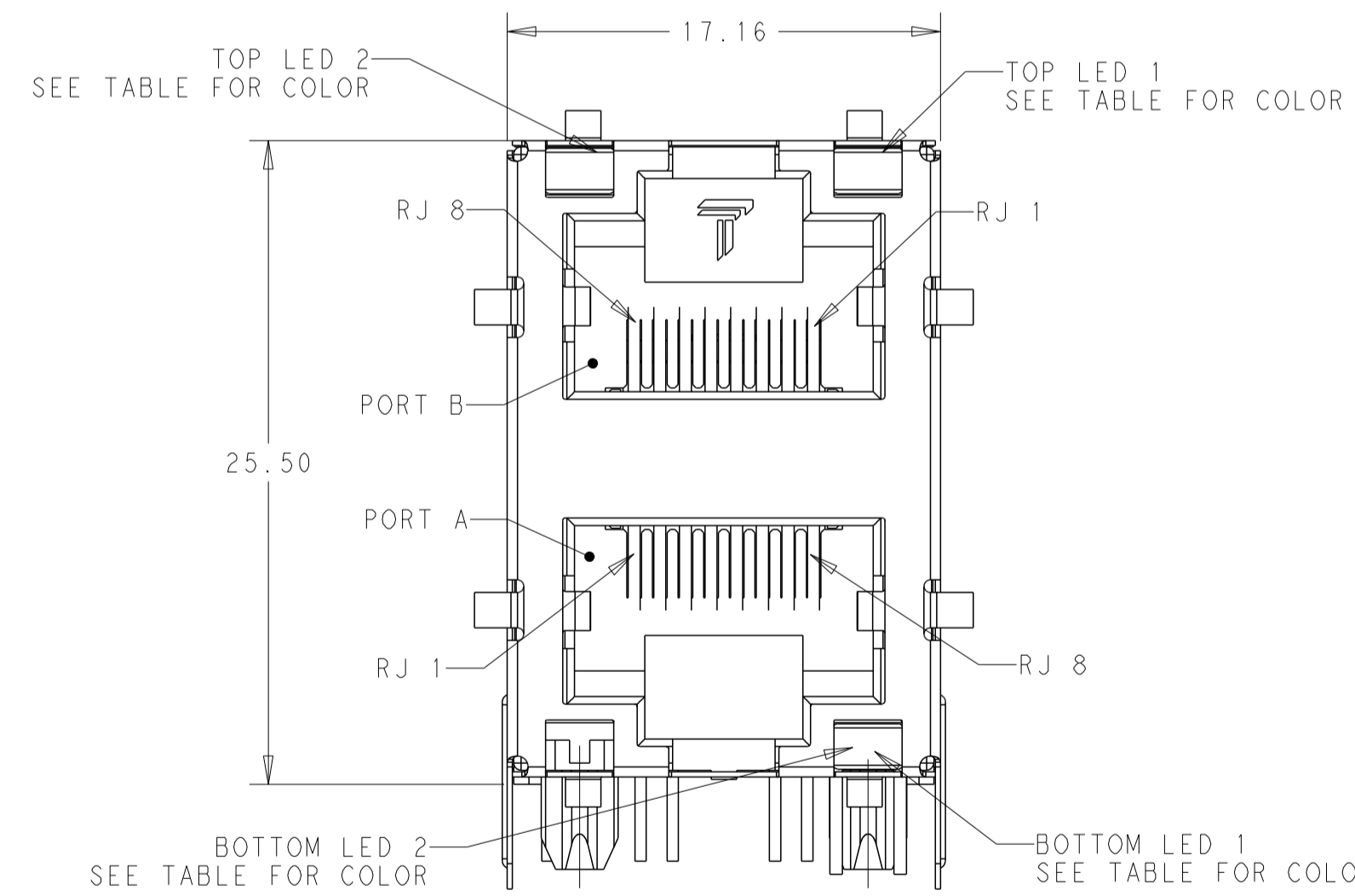
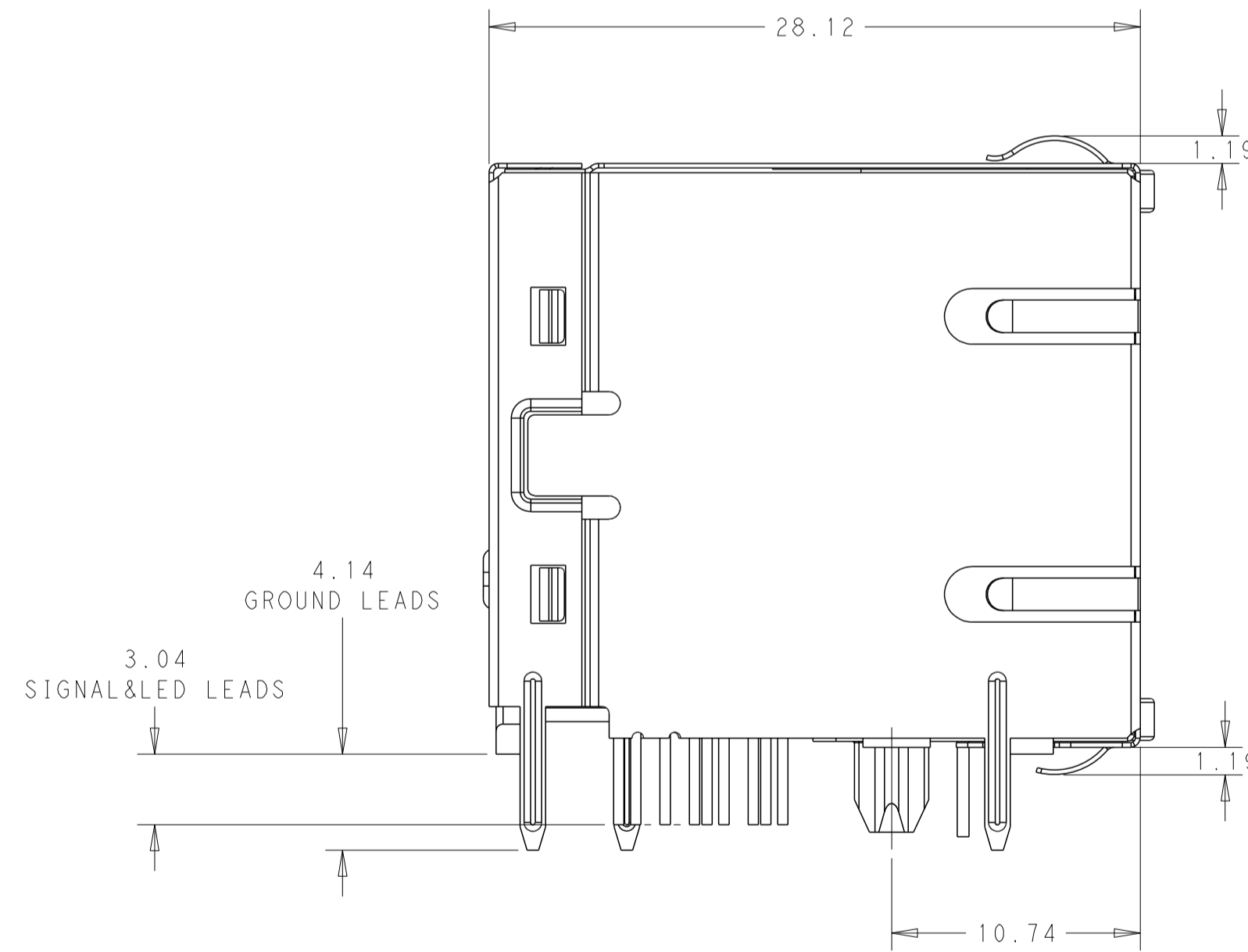
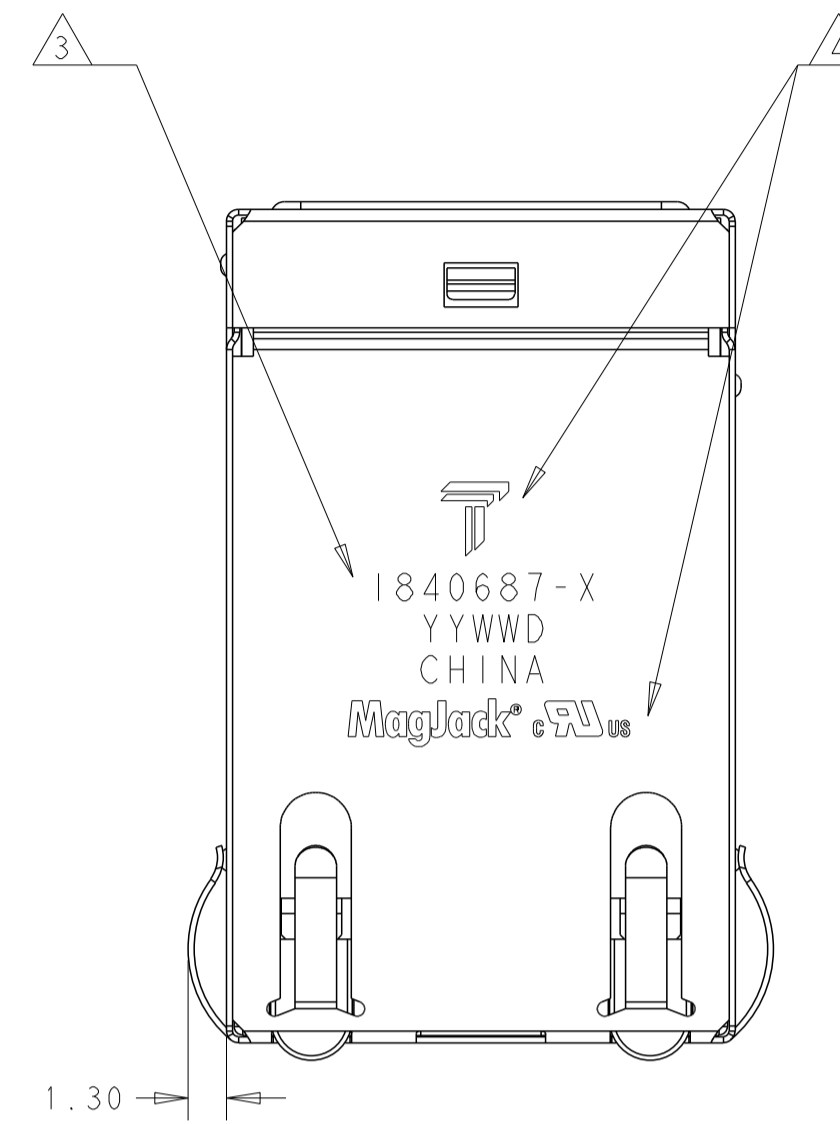
S8107 10/100 BASE-T CIRCUIT TOP AND BOTTOM PORTS




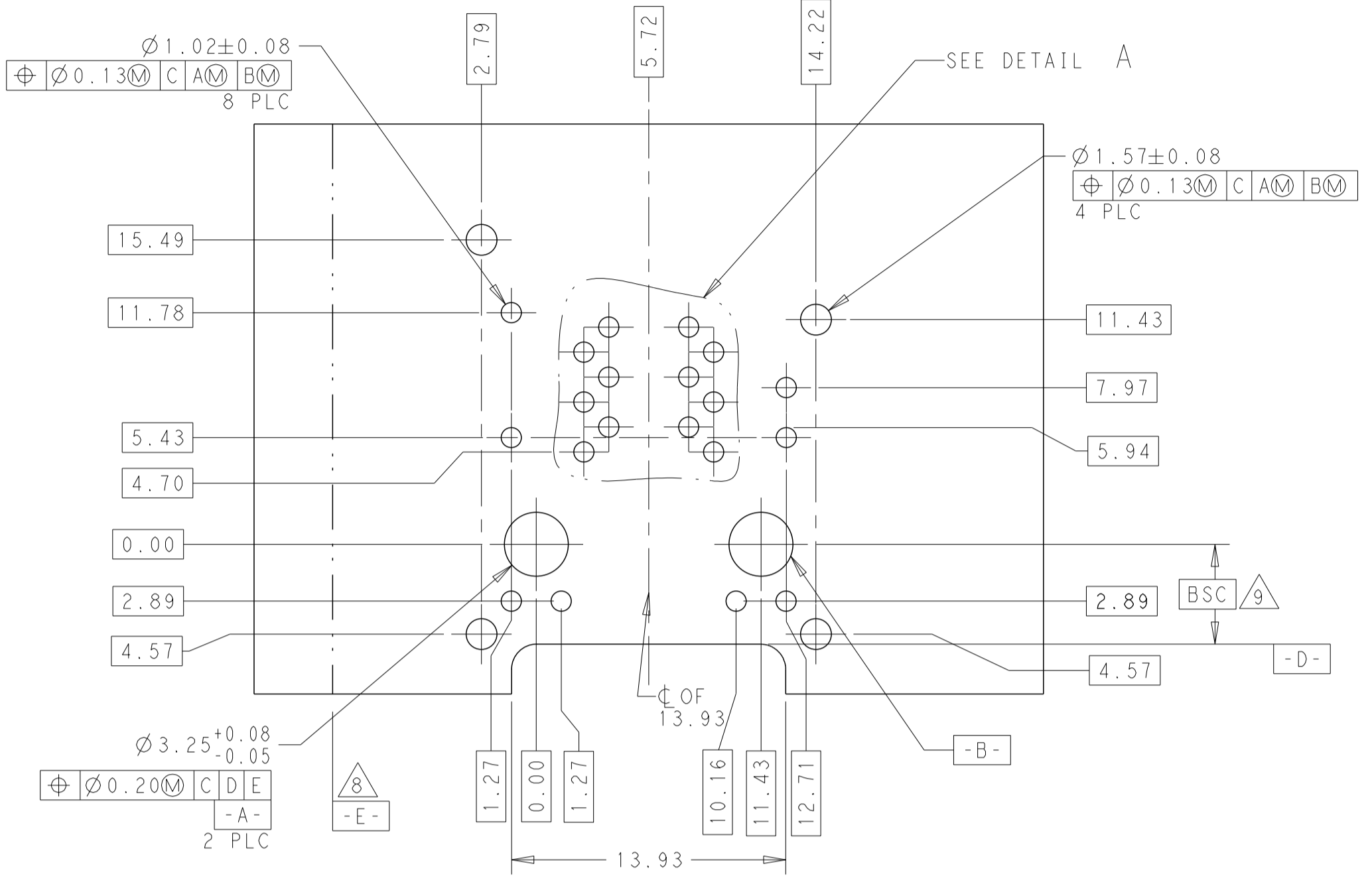
C1 = 1000pF, 2kV, X7R DECOUPLING CAPACITOR
 R1-R4 = 75 Ohms, 1/16 W, RESISTORS

THIS DRAWING IS A CONTROLLED DOCUMENT.		DWN: 03JAN2012 GABRIEL Z. TERRY LIN		1840687-3	
DIMENSIONS: mm		CHK: 03JAN2012 TONY YUAN		PART NUMBER	
TOLERANCES UNLESS OTHERWISE SPECIFIED:		APPR: 03JAN2012 KEITH ZHU		1840687-3	
0 PLC ±0.25		MODEL NAME		DESC	
1 PLC ±0.25		MAGJACK		2X1 S8107 10/100 W/ LED	
2 PLC ±0.25		STACK Non-PoE		SIZE	
3 PLC ±		CUSTOMER DRAWING		CAGE CODE	
4 PLC ±		SCALE 4:1		DRAWING NO	
ANGLES ±		SHEET 1 OF 4		REV 3	
PRODUCT SPEC 108-104004		APPLICATION SPEC		DRAWING NO C=1840687	

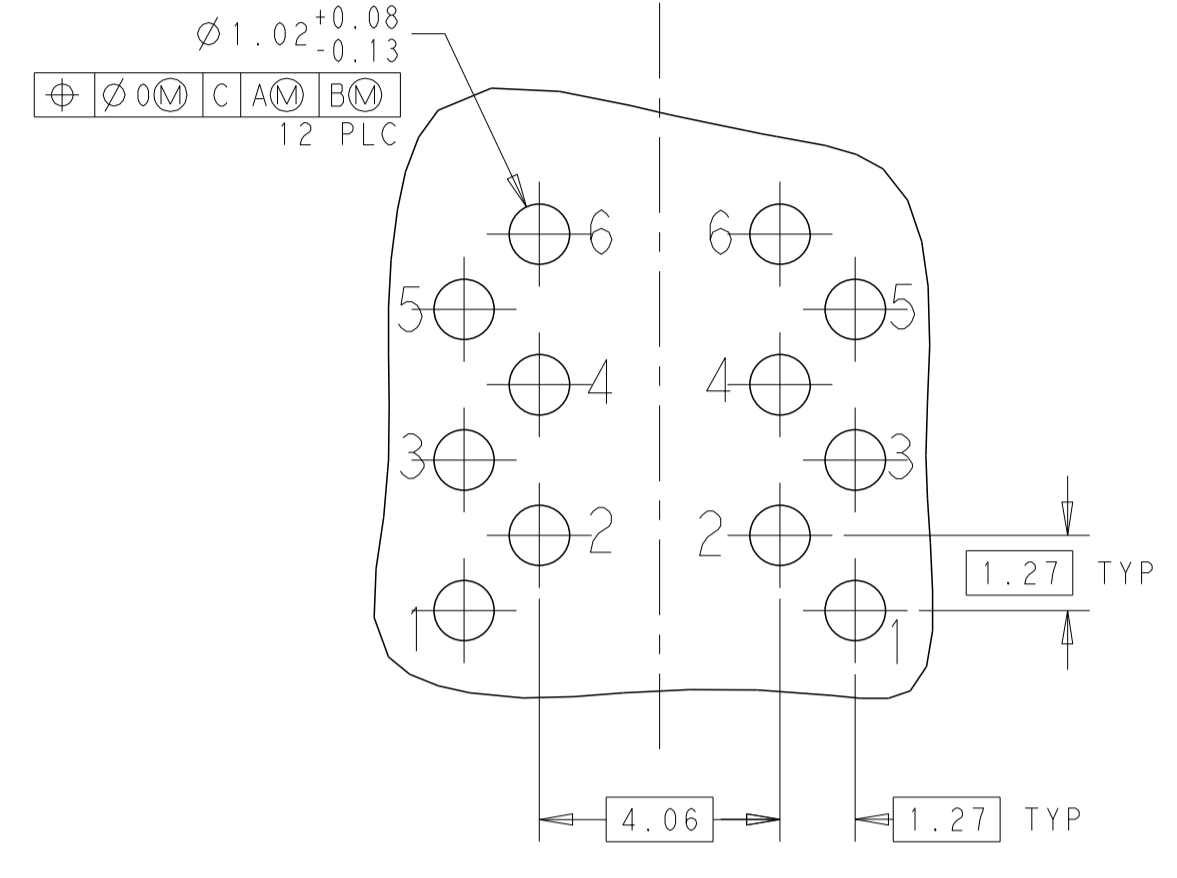




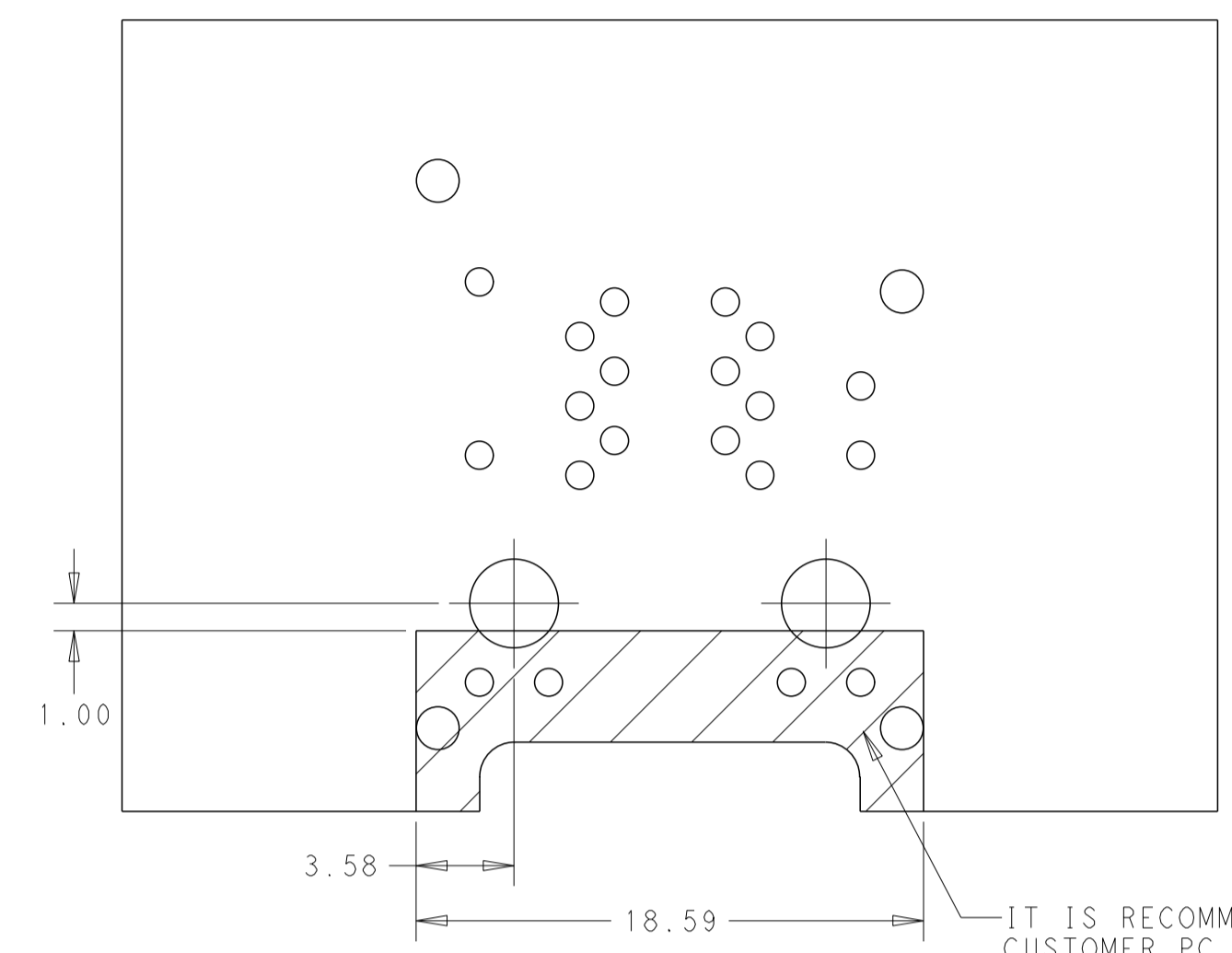
THIS DRAWING IS A CONTROLLED DOCUMENT.		DRW: GABRIEL Z. TERRY LIN 03JAN2012	 trp CONNECTOR <small>a bel group</small>	DONGGUAN CHINA												
DIMENSIONS: mm		CHK: TONY YUAN 03JAN2012		DESC: 2XI S8107 10/100 W/ LED	RESTRICTED TO											
TOLERANCES UNLESS OTHERWISE SPECIFIED:		APVD: KEITH ZHU 03JAN2012		SIZE: A1	CAGE CODE: C=1840687											
<table border="1"> <tr> <td>0 PLC</td><td>±0.25</td> </tr> <tr> <td>1 PLC</td><td>±0.25</td> </tr> <tr> <td>2 PLC</td><td>±0.25</td> </tr> <tr> <td>3 PLC</td><td>±0.25</td> </tr> <tr> <td>4 PLC</td><td>±</td> </tr> <tr> <td>ANGLES</td><td>±</td> </tr> </table>		0 PLC	±0.25	1 PLC	±0.25	2 PLC	±0.25	3 PLC	±0.25	4 PLC	±	ANGLES	±	MODEL NAME: MAGJACK	SCALE: 4:1	SHEET 2 OF 4
0 PLC	±0.25															
1 PLC	±0.25															
2 PLC	±0.25															
3 PLC	±0.25															
4 PLC	±															
ANGLES	±															
PRODUCT SPEC: 108-104004	APPLICATION SPEC: -	CUSTOMER DRAWING	REV: 3													



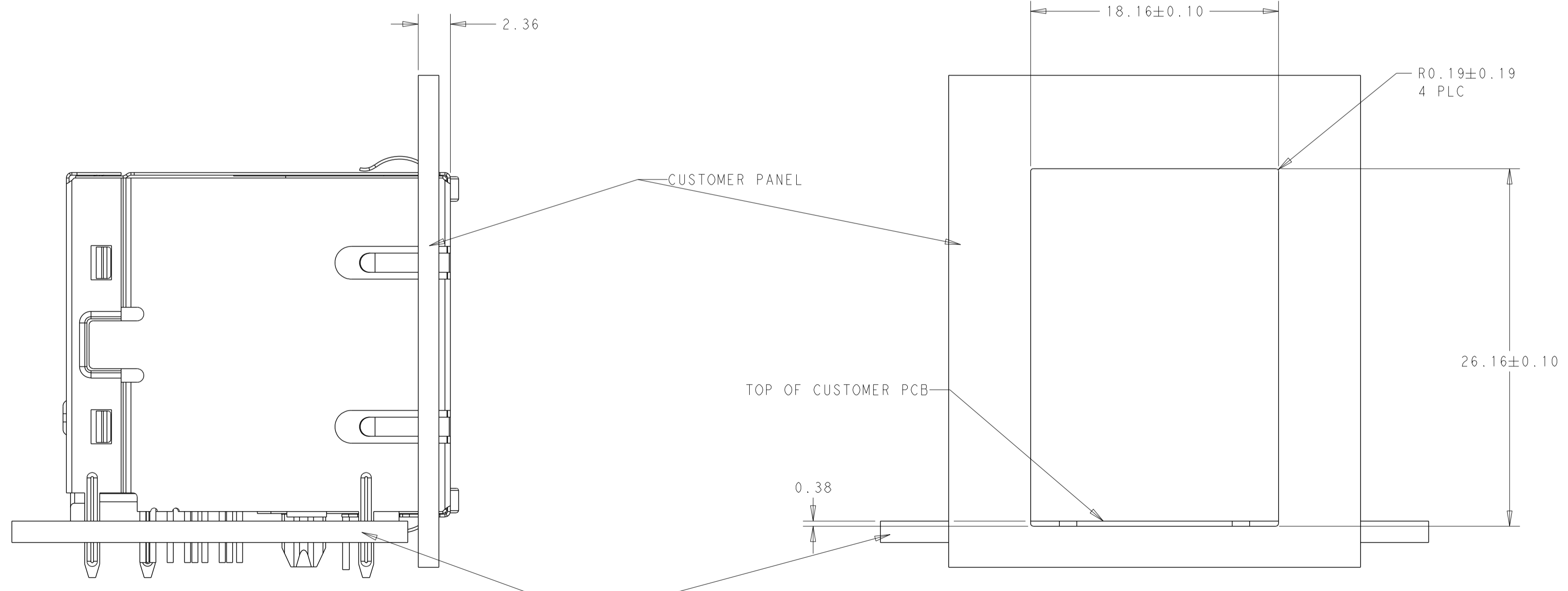
RECOMMENDED PCB LAYOUT
COMPONENT SIDE VIEW



DETAIL A
SCALE 8:1



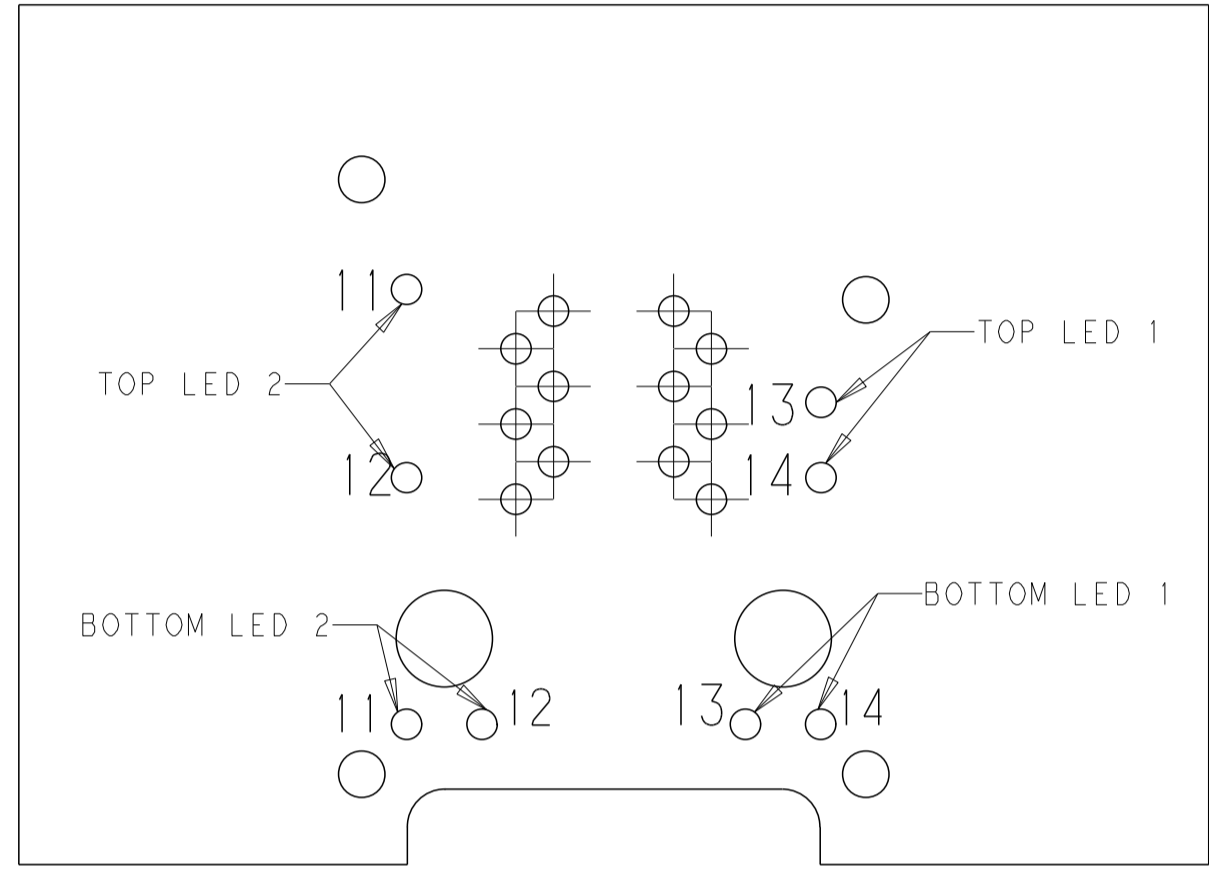
IT IS RECOMMENDED THAT SHADED AREA OF CUSTOMER PC BOARD BE CLEAR OF ANY VIA HOLE, COMPONENT AND CIRCUIT TRACE



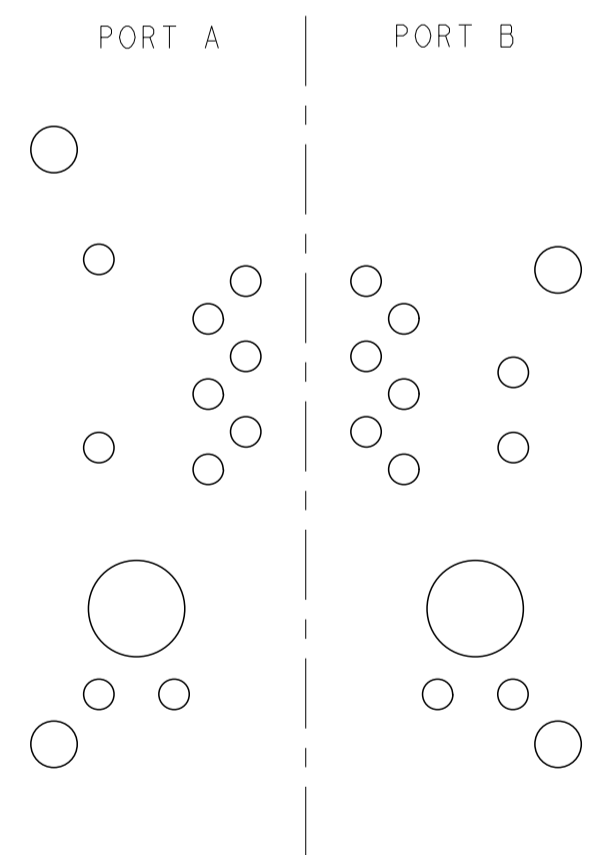
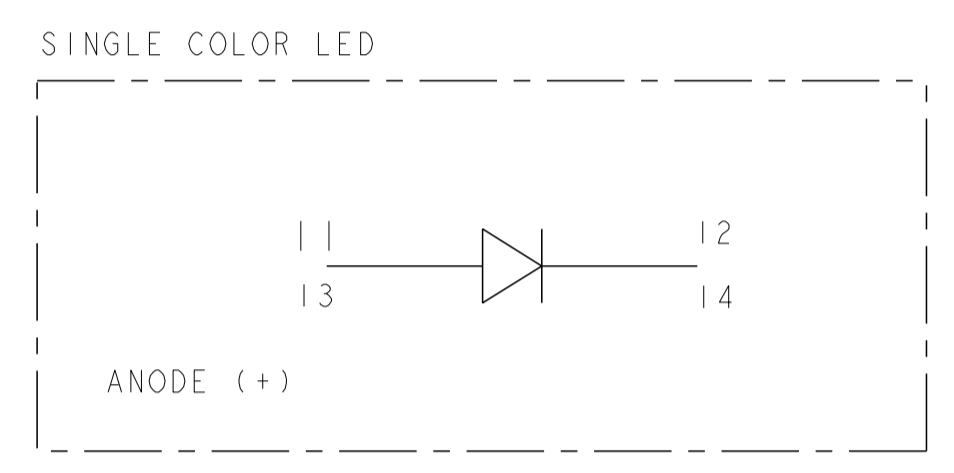
SHOWN WITH PANEL AND
CUSTOMER PCB ASSEMBLY


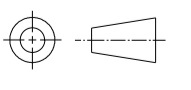
SUGGESTED PANEL CUTOUT DIMENSIONS

THIS DRAWING IS A CONTROLLED DOCUMENT.		DWN: GABRIEL ZHANG 03JAN2012			DONGGUAN CHINA
		CHK: TONY YUAN 03JAN2012			
DIMENSIONS: mm		TOLERANCES UNLESS OTHERWISE SPECIFIED:		DESC: 2XI S8107 10/100 W/ LED	
		0 PLC ±0.25 1 PLC ±0.25 2 PLC ±0.25 3 PLC ±0.25 4 PLC ±0.25 ANGLES ±°		MODEL NAME: MAGJACK	
PRODUCT SPEC: 108-104004		APPLICATION SPEC: -		SIZE: A1	
		CUSTOMER DRAWING		CAGE CODE: 1840687	
				RESTRICTED TO: -	
				SCALE: 4:1 SHEET 3 OF 4 REV 3	



LED HOLE DESIGNATIONS VIEWED FROM COMPONENT SIDE



THIS DRAWING IS A CONTROLLED DOCUMENT.		DWR: 03JAN2012 GABRIEL Z. TERRY LIN		 DONGGUAN CHINA
DIMENSIONS: mm		CHK: 03JAN2012 TONY YUAN		
		APVD: 03JAN2012 KEITH ZHU		
TOLERANCES UNLESS OTHERWISE SPECIFIED:		MODEL NAME		DESC: 2XI S8107 10/100 W/ LED
0 PLC ±0.25		MAGJACK		SIZE: A1
1 PLC ±0.25		STACK Non-PoE		CAGE CODE: C=1840687
2 PLC ±0.25		CUSTOMER DRAWING		DRAWING NO: -
3 PLC ±				RESTRICTED TO: -
4 PLC ±				SCALE: 4:1
ANGLES ±				SHEET: 4 OF 4
APPLICATION SPEC ±				REV: 3
PRODUCT SPEC 108-104004				