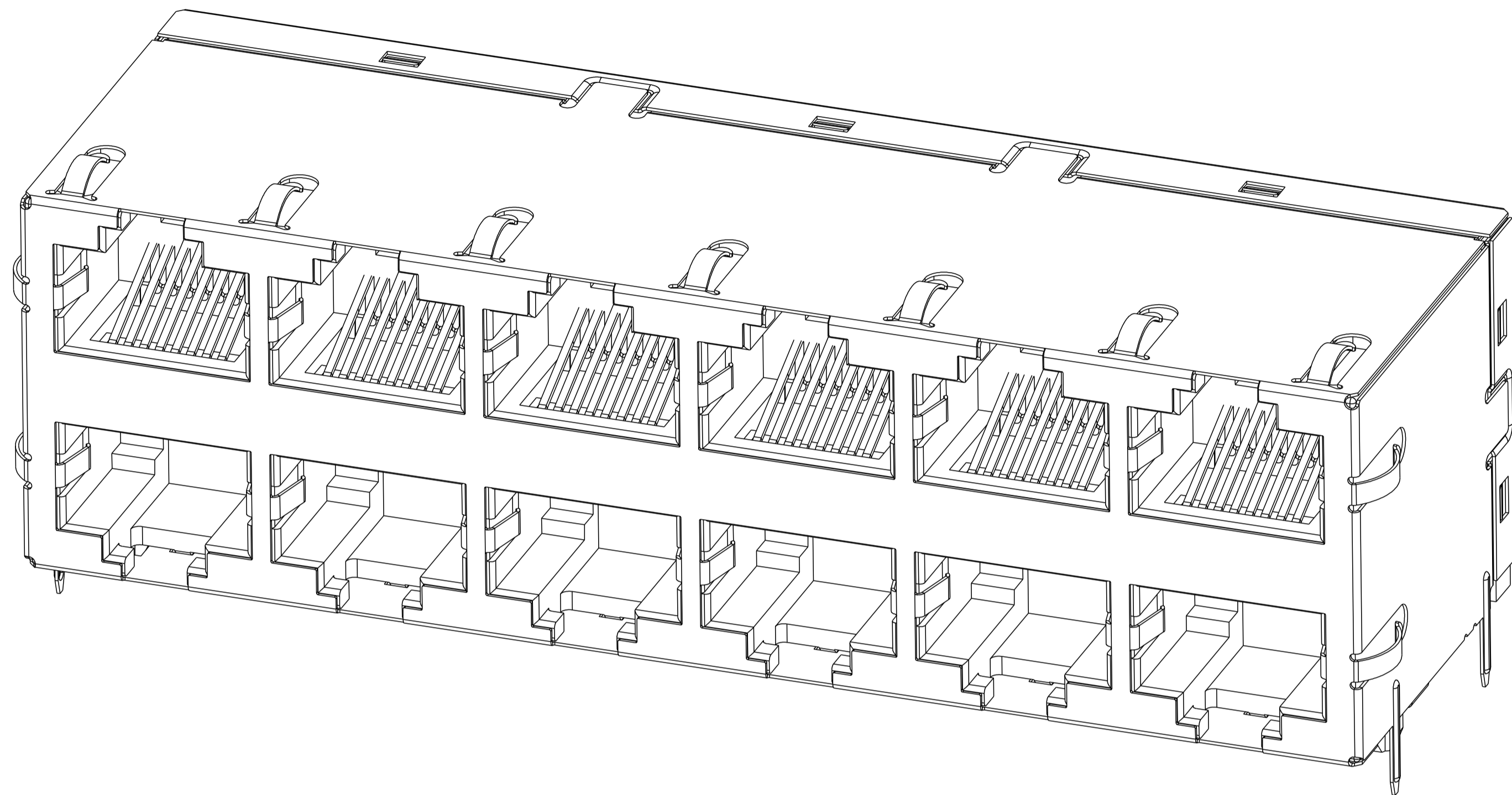


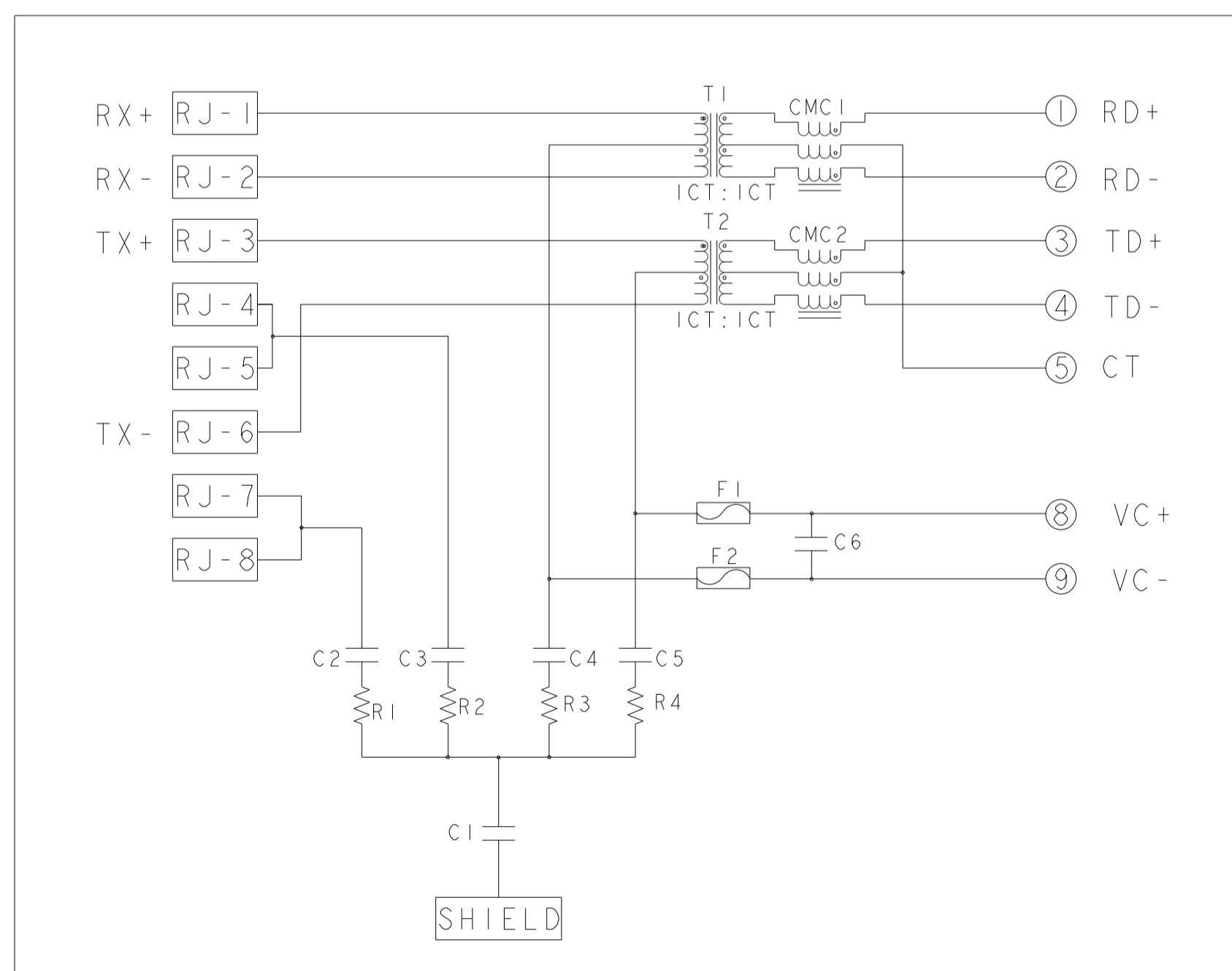
THIS DRAWING AND THE SUBJECT MATTER SHOWN THEREON ARE CONFIDENTIAL AND THE PROPERTY OF BEL/STEWART/TRP CONNECTOR AND SHALL NOT BE REPRODUCED, COPIED, OR USED IN ANY MANNER WITHOUT THE WRITTEN CONSENT OF TRP CONNECTOR.

PRODUCT MAY BE PROTECTED BY ONE OR MORE OF THE FOLLOWING US PATENTS:  
5736910 5939955 6425781 6428361 6554638 6840817 7123117  
7429195 7717749 7808751 6217391 6149050 7924130

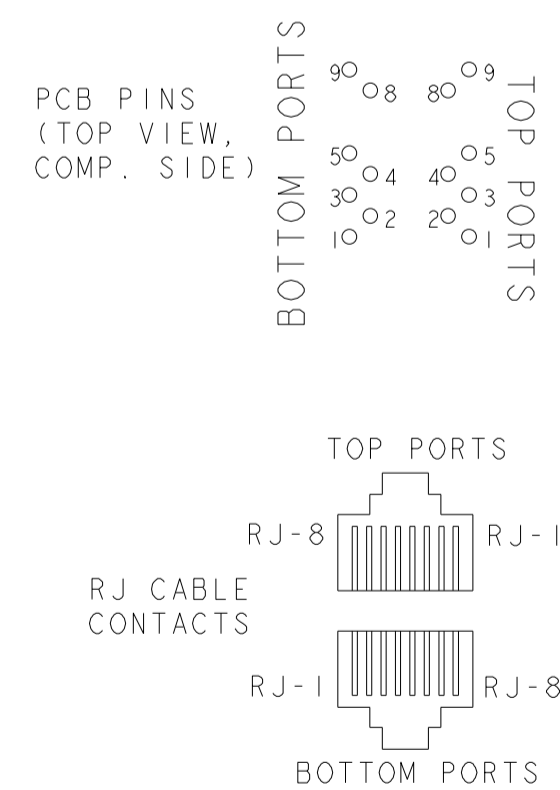
REVISIONS				
P	LTR	DESCRIPTION	DATE	DRW APPD
F		EC-1411035 COMPANY LOGO CHANGE	18DEC2014	GZ TY



S8V93ET 10/100 PoE CIRCUIT  
TOP AND BOTTOM PORTS



**PIN DESIGNATIONS**  
(REPEAT FOR EACH VERTICAL PAIR OF PORTS)



- C1 = 1000pF, 2kV, DECOUPLING CAPACITOR
- C2 - C5 = 22nF, 100V, CAPACITORS
- R1-R4 = 75 Ohms, 1/16 W, RESISTORS
- C6 = 0.1uF, 100V
- F1-F2 = 125V, 1A

1. MATERIALS:  
HOUSING: BLACK, THERMOPLASTIC FLAMMABILITY RATING UL 94V-0  
SHIELD: BRASS, PREPLATED WITH 0.76um MIN SEMI-BRIGHT NICKEL, POST DIPPED WITH 2.54um MIN SAC SOLDER ON SOLDER TAILS.  
CONTACTS: PHOSPHOR BRONZE, 1.27um MIN OVERALL NICKEL UNDERPLATE WITH SELECT 1.27um MIN GOLD AT MATING INTERFACE AND 2.54um MIN MATTE TIN ON SOLDER TAILS.  
ALL PC BOARDS: HIGH TEMPERATURE PCB, TG>170°C

2. MAGNETICS  
APPLICATION: 10/100 BASE-T, EXTENDED TEMPERATURE, PoE  
IMPEDANCE: 100 OHMS  
TURNS RATIO (CHIP:CABLE): TX = 1:1, RX = 1:1  
OPEN CIRCUIT INDUCTANCE (OCL): 350uH MIN @100kHz, 0.1VRMS, 8mA DC BIAS FROM -40°C TO +85°C, TX AND RX  
POE CURRENT: 350mA DC MAX  
PERFORMANCE @ 25°C:  
INSERTION LOSS (IL): 1.1dB MAX FROM 0.5MHz TO 100MHz  
RETURN LOSS (RL): 18dB MIN FROM 0.5MHz TO 30MHz  
18-20LOG(f/30)dB MIN FROM 30.1MHz TO 60MHz  
12dB MIN FROM 60.1MHz TO 80MHz  
CROSSTALK ATTENUATION: 35dB MIN FROM 0.5MHz TO 40MHz  
33-20LOG(f/50)dB MIN FROM 40.1MHz TO 100MHz  
COMMON MODE REJECTION RATIO (CMRR): 30dB MIN FROM 0.5MHz TO 100MHz  
ISOLATION VOLTAGE: 2250VDC (MAX) FOR 60 SECONDS WITH A RISE TIME OF 500V/SEC AND WITH ALL PORTS CONNECTED.

3. PART NUMBER, DATE CODE AND COUNTRY OF ORIGIN ARE LOCATED IN APPROXIMATE AREA SHOWN. DATE CODE "YY" IS YEAR, "WW" IS WORK WEEK, "D" IS DAY OF WEEK, WITH SUNDAY=1

4. COMPANY LOGO AND AGENCY APPROVAL LOGO ARE LOCATED IN APPROXIMATE AREA SHOWN.

5. OPERATING TEMP: FROM -40°C TO +85°C.

6. RJ45 CAVITY CONFORMS TO FCC RULES AND REGULATION PART 68 SUBPART F.

7. INDICATED MAGNETIC CONNECTIONS ARE SYMMETRICAL AND SUPPORT AUTO-MDI/MDIX.

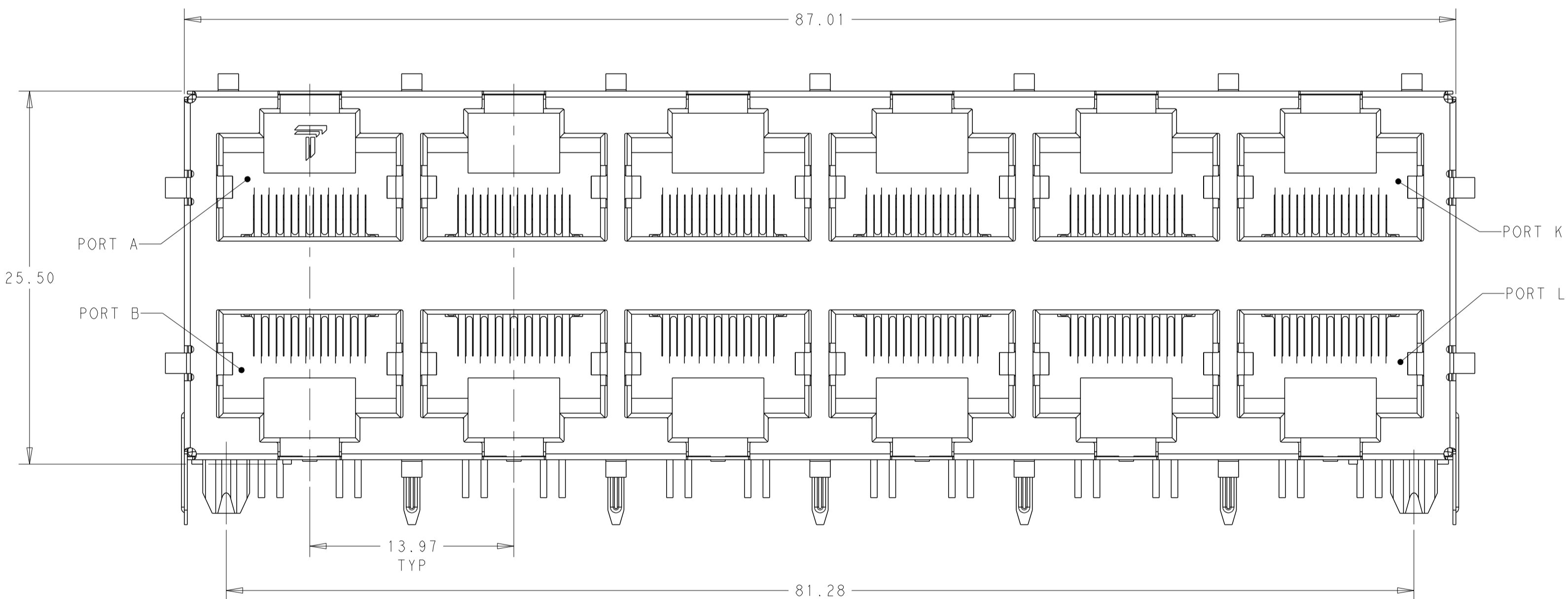
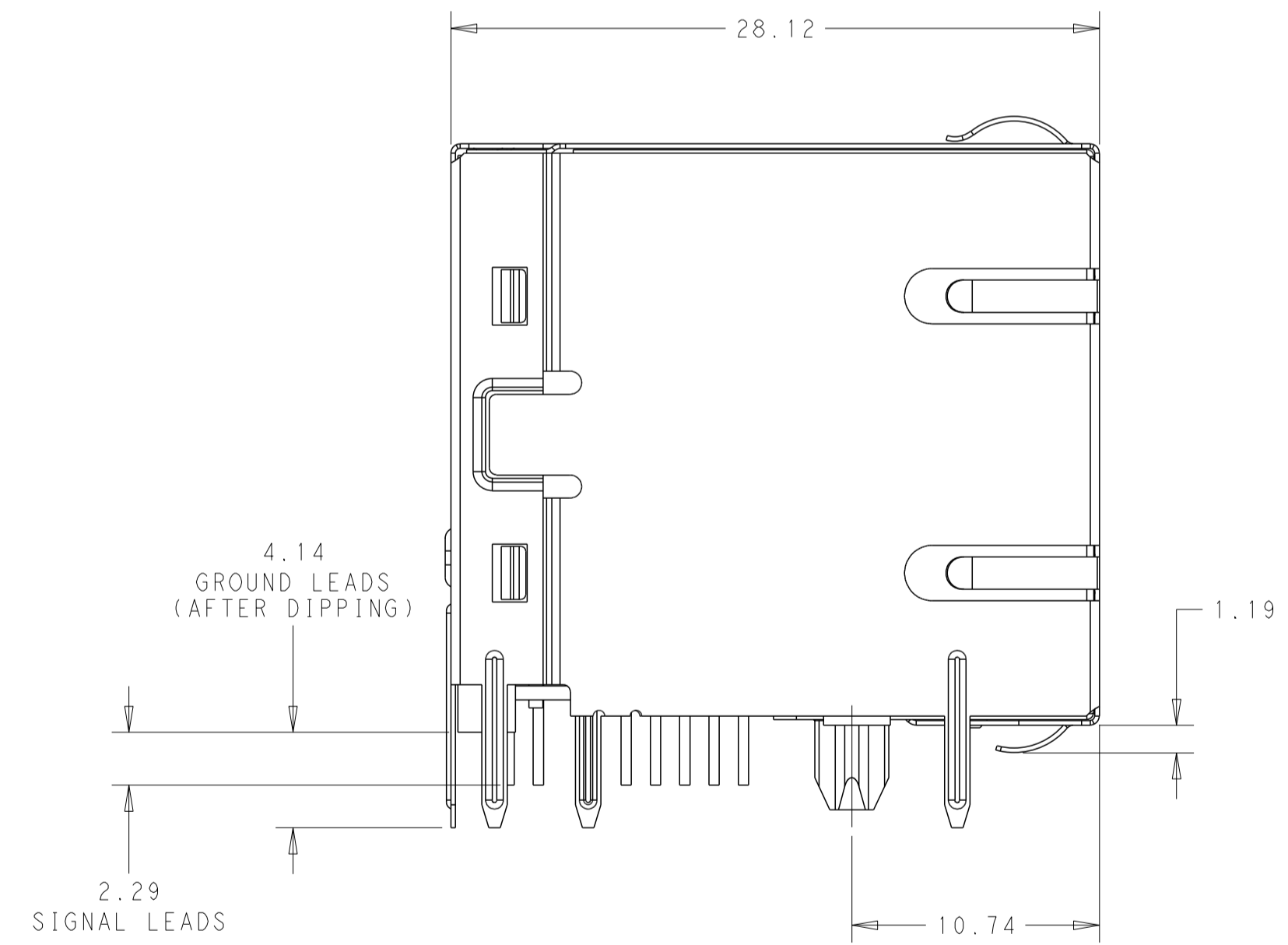
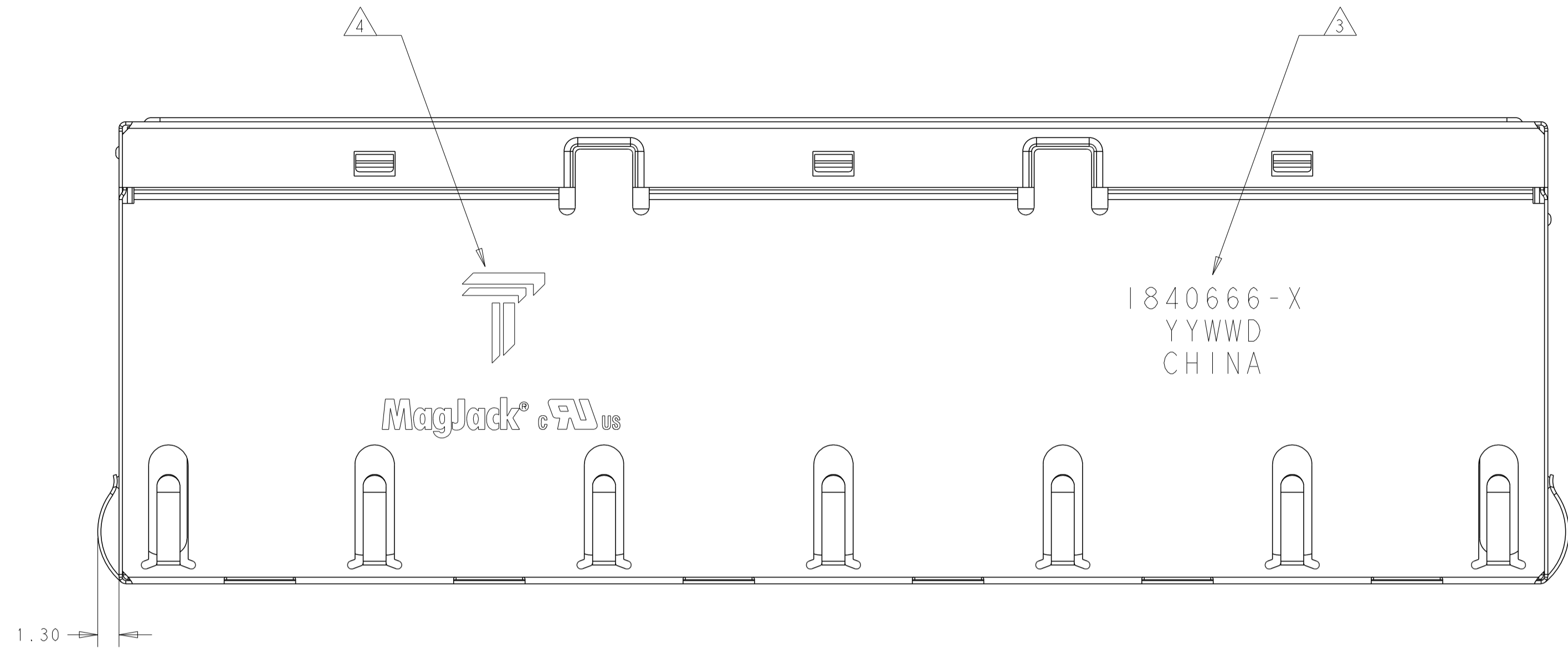
8. DATUM AND BASIC DIMENSION ESTABLISHED BY CUSTOMER.

9. BASIC DIMENSION ESTABLISHED BY CUSTOMER, BUT MAY NOT BE GREATER THAN 5.08mm.

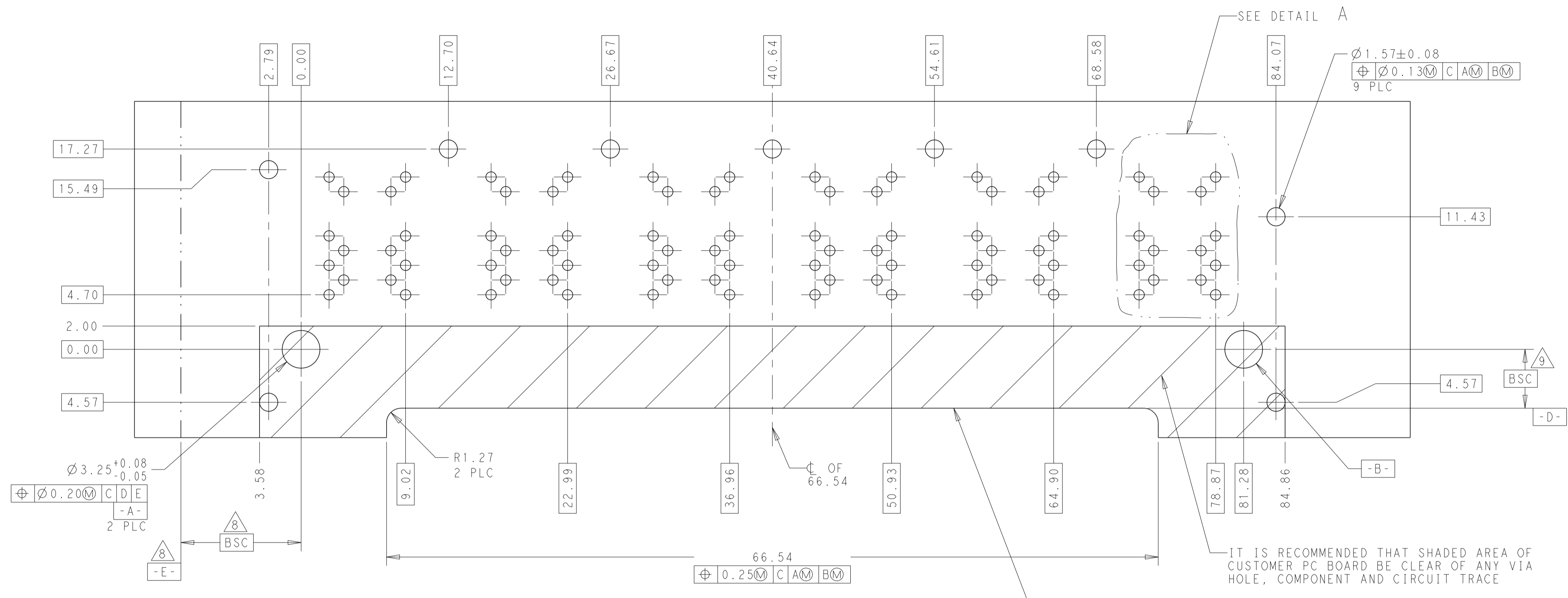
10. THE PARTS ARE RECOMMENDED FOR WAVE SOLDERING PROCESS, PEAK TEMPERATURE 260°C MAX, 10 SECONDS MAX.

1840666-1  
PART NUMBER

THIS DRAWING IS A CONTROLLED DOCUMENT.		DRW: JAMISON CHEN 10MAY2010	 DONGGUAN CHINA
DIMENSIONS: mm		CHK: TOMMY REN 10MAY2010	
 TOLERANCES UNLESS OTHERWISE SPECIFIED: 0 PLC ±0.25 1 PLC ±0.25 2 PLC ±0.25 3 PLC ± 4 PLC ± ANGLES ± PRODUCT SPEC 108-104004 APPLICATION SPEC -		APPR: KEITH ZHU 10MAY2010	
MODEL NAME: MAGJACK STACK PoE		DESC: 2X6 S8V93ET 10/100 PoE W/O LED	RESTRICTED TO
CUSTOMER DRAWING		SIZE: A1	CAGE CODE: 1840666
SCALE: 4:1		SHEET: 1 OF 3	REV: F



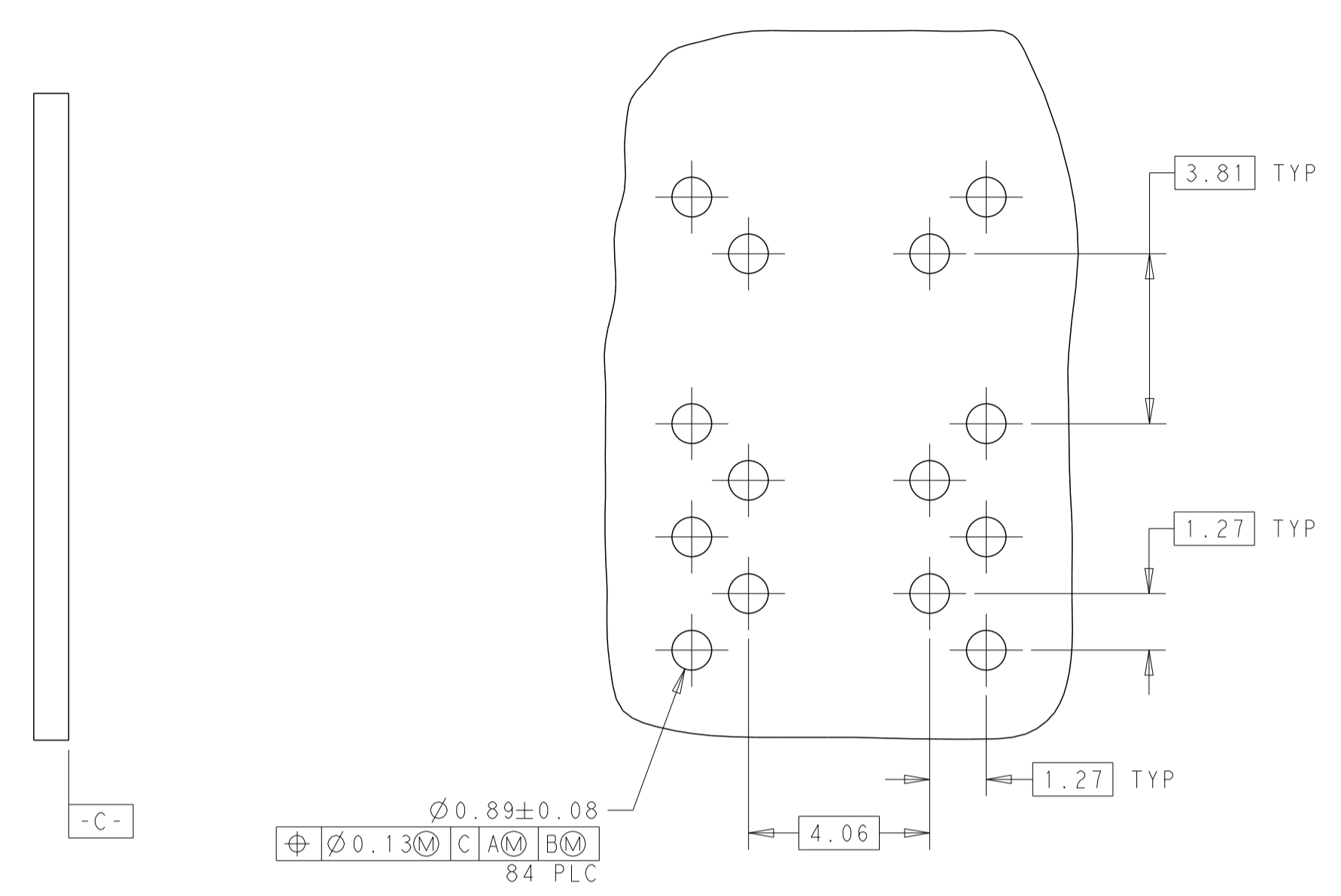
THIS DRAWING IS A CONTROLLED DOCUMENT.		DWN: JAMISON CHEN 10MAY2010 CHK: TOMMY REN 10MAY2010 APVD: KEITH ZHU 10MAY2010 MODEL NAME: MAGJACK STACK PoE	DONGGUAN CHINA
DIMENSIONS: mm 	TOLERANCES UNLESS OTHERWISE SPECIFIED: 0 PLC ±0.25 1 PLC ±0.25 2 PLC ±0.25 3 PLC ± 4 PLC ± ANGLES ± APPLICATION SPEC ±	DESC: 2X6 S8V93ET 10/100 PoE W/O LED SIZE: A1 CAGE CODE: 1840666 DRAWING NO: 108-104004 CUSTOMER DRAWING	RESTRICTED TO: - SCALE: 4:1 SHEET: 2 OF 3 REV: F



RECOMMENDED PCB LAYOUT COMPONENT SIDE VIEW

IT IS RECOMMENDED THAT SHADED AREA OF CUSTOMER PC BOARD BE CLEAR OF ANY VIA HOLE, COMPONENT AND CIRCUIT TRACE

RECOMMENDED PCB FRONT EDGE CUTOUT: THE BOTTOM SHIELD GROUND TABS(FRONT) SHOULD NOT BE SEATED ON THE TOP OF THE PCB



DETAIL A SCALE 8:1



SUGGESTED PANEL CUTOUT DIMENSIONS

THIS DRAWING IS A CONTROLLED DOCUMENT.		DRN: JAMISON CHEN 10MAY2010	<b>trp</b> CONNECTOR a bel group DONGGUAN CHINA
DIMENSIONS: mm		CHK: TOMMY REN 10MAY2010	
TOLERANCES UNLESS OTHERWISE SPECIFIED:		APP'D: KEITH ZHU 10MAY2010	
0 PLC ±0.25 1 PLC ±0.25 2 PLC ±0.25 3 PLC ± 4 PLC ± ANGLES ±	PRODUCT SPEC 108-104004 APPLICATION SPEC	MODEL NAME: MAGJACK STACK PoE DESC: 2X6 S8V93ET 10/100 PoE W/O LED SIZE: A1 CAGE CODE: 1840666 SCALE: 4:1	RESTRICTED TO: - SHEET 3 OF 3 REV F