

8 7 6 5 4 3 2 1

THIS DRAWING AND THE SUBJECT MATTER SHOWN THEREON ARE CONFIDENTIAL AND THE PROPERTY OF BEL/STEWART/TRP CONNECTOR AND SHALL NOT BE REPRODUCED, COPIED, OR USED IN ANY MANNER WITHOUT THE WRITTEN CONSENT OF TRP CONNECTOR.

PRODUCT MAY BE PROTECTED BY ONE OR MORE OF THE FOLLOWING US PATENTS:
5736910 5939955 6425781 6428361 6554638 6840817 7123117
7429195 7717749 7808751 6217391 6149050 7924130

REVISIONS				
P	LTR	DESCRIPTION	DATE	APPD
D		EC-1411035 COMPANY LOGO CHANGE	28DEC2014	GZ TY

1. MATERIALS:
PLASTIC HOUSING: BLACK, THERMOPLASTIC FLAMMABILITY RATING UL 94V-0
SHIELD: BRASS, PREPLATED WITH 0.76um MIN SEMI-BRIGHT NICKEL,
POST DIPPED WITH 2.54um MIN SAC SOLDER ON SOLDER TAILS,
CONTACTS: PHOSPHOR BRONZE, 1.27um MIN OVERALL NICKEL
UNDERPLATE WITH SELECT 1.27um MIN GOLD AT MATING INTERFACE
AND 2.54um MIN MATTE TIN ON SOLDER TAILS.

2. MAGNETICS
APPLICATION: 10/100/1000 BASE-T, EXTENDED TEMP
IMPEDANCE: 100 OHMS
TURNS RATIO (CHIP:CABLE): 1:1 ALL FOUR PAIRS
OPEN CIRCUIT INDUCTANCE (OCL): 350uH MIN @100kHz, 0.1VRMS,
8mADC BIAS FROM -40°C TO +85°C, ALL FOUR PAIRS

ALL FOUR PAIRS BI-DIRECTIONAL
PERFORMANCE @ 25°C:
INSERTION LOSS (IL): 1.1dB MAX FROM 0.5MHz TO 100MHz
RETURN LOSS (RL): 18dB MIN FROM 0.5MHz TO 40MHz
12-20LOG(f/80)dB MIN FROM 40.1MHz TO 100MHz
CROSSTALK ATTENUATION: 35dB MIN FROM 0.5MHz TO 40MHz
33-20LOG(f/50)dB MIN FROM 40.1MHz TO 100MHz
COMMON MODE REJECTION RATIO (CMRR): 30dB MIN FROM 0.5MHz TO 100MHz
ISOLATION VOLTAGE: 2250VDC (MAX) FOR 60 SECONDS WITH A RISE TIME OF 500V/SEC AND WITH ALL PORTS CONNECTED

3. PART NUMBER, DATE CODE AND COUNTRY OF ORIGIN ARE LOCATED IN APPROXIMATE AREA SHOWN. DATE CODE: "YY" IS YEAR, "WW" IS WORK WEEK, "D" IS DAY OF WEEK, WITH SUNDAY=1

4. TRP CONNECTOR LOGO AND AGENCY APPROVAL LOGO ARE LOCATED IN APPROXIMATE AREA SHOWN.

5. OPERATING TEMP: FROM -40°C TO +85°C.

6. RJ45 CAVITY CONFORMS TO FCC RULES AND REGULATION PART 68 SUBPART F.

7. INDICATED MAGNETIC CONNECTIONS ARE SYMMETRICAL AND SUPPORT AUTO-MDI/MDIX.

8. DATUM AND BASIC DIMENSION ESTABLISHED BY CUSTOMER.

9. BASIC DIMENSION ESTABLISHED BY CUSTOMER, BUT MAY NOT BE GREATER THAN 5.08mm.

10. LEDS ARE DRIVEN WITH CONSTANT CURRENT AT APPROX 20mA
LED COLOR: DOMINANT WAVELENGTH (λD): GREEN 568 nm TYP. @ IF=20mA
FORWARD VOLTAGE (VF): GREEN 2.2V TYP. @ IF=20mA
DOMINANT WAVELENGTH (λD): YELLOW 588 nm TYP @ IF=20 mA
FORWARD VOLTAGE (VF): YELLOW 2.1V TYP @ IF=20 mA

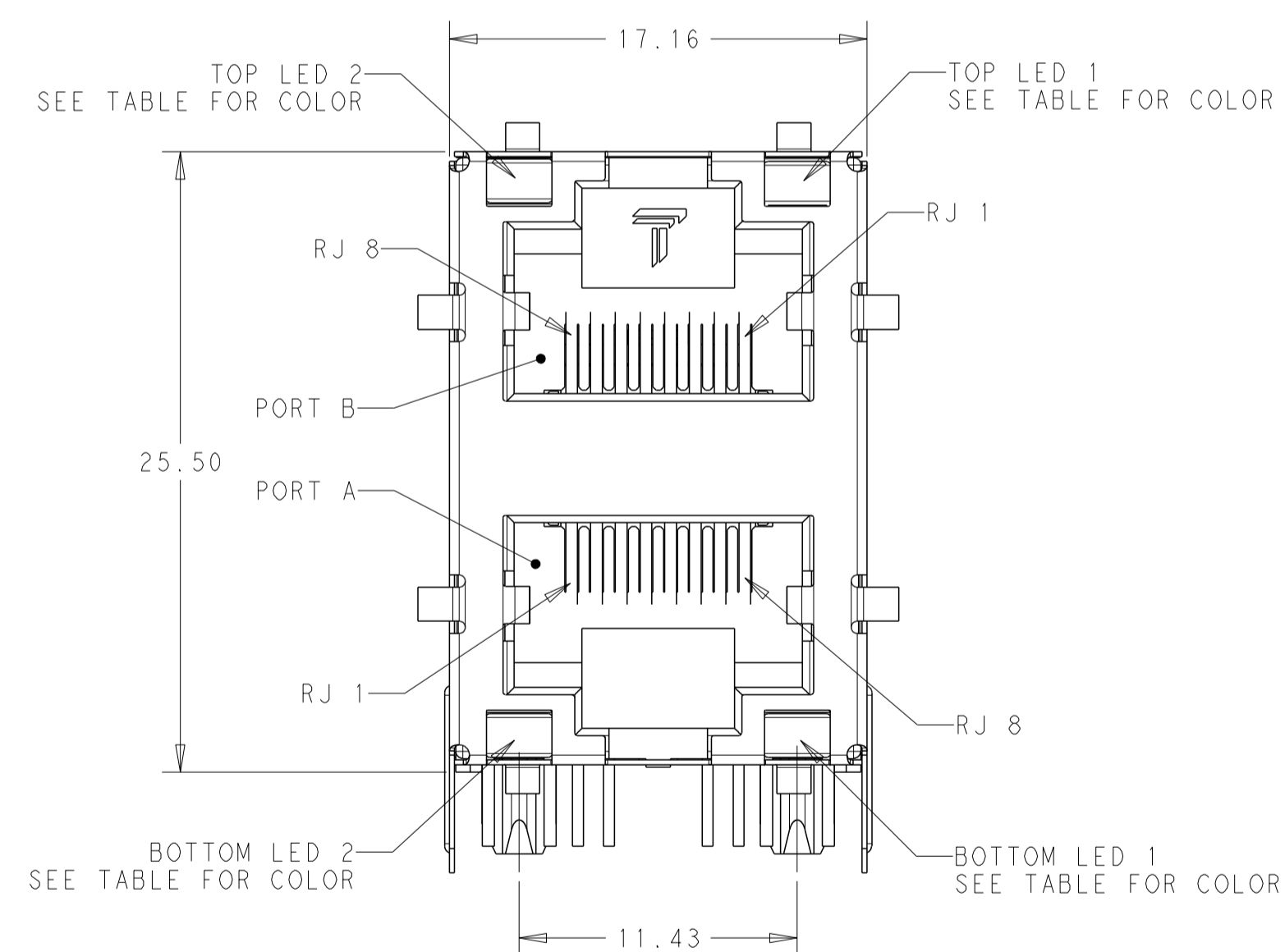
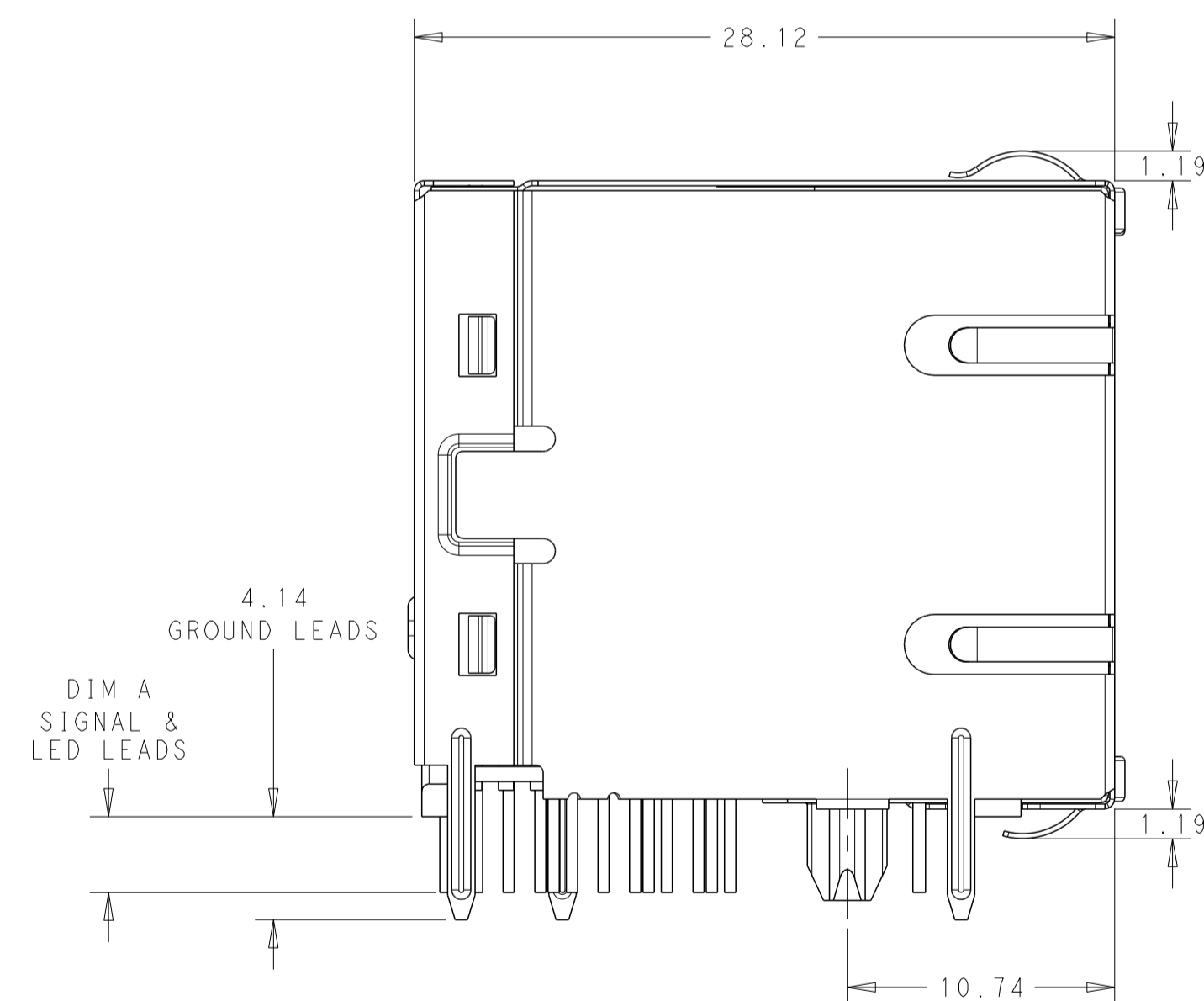
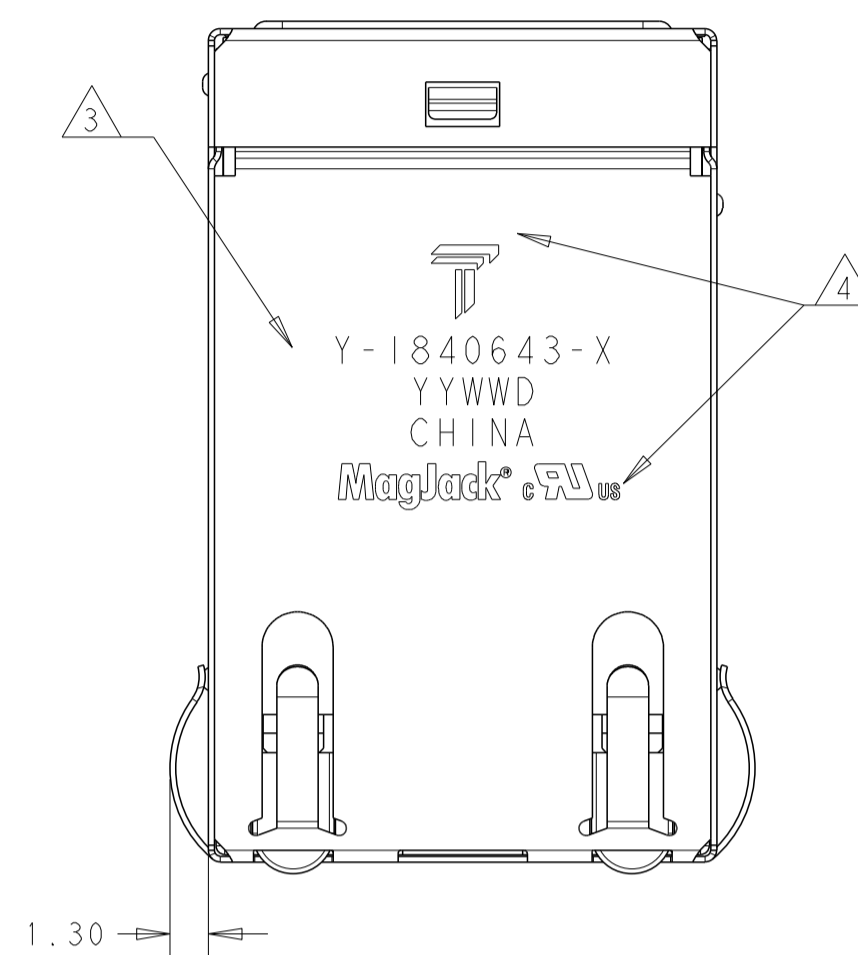
11. THE PARTS ARE RECOMMENDED FOR WAVE SOLDERING PROCESS, PEAK TEMPERATURE 260°C MAX, 10 SECONDS MAX.

S8G56ET GIGABIT CIRCUIT 2/7
TOP AND BOTTOM PORTS

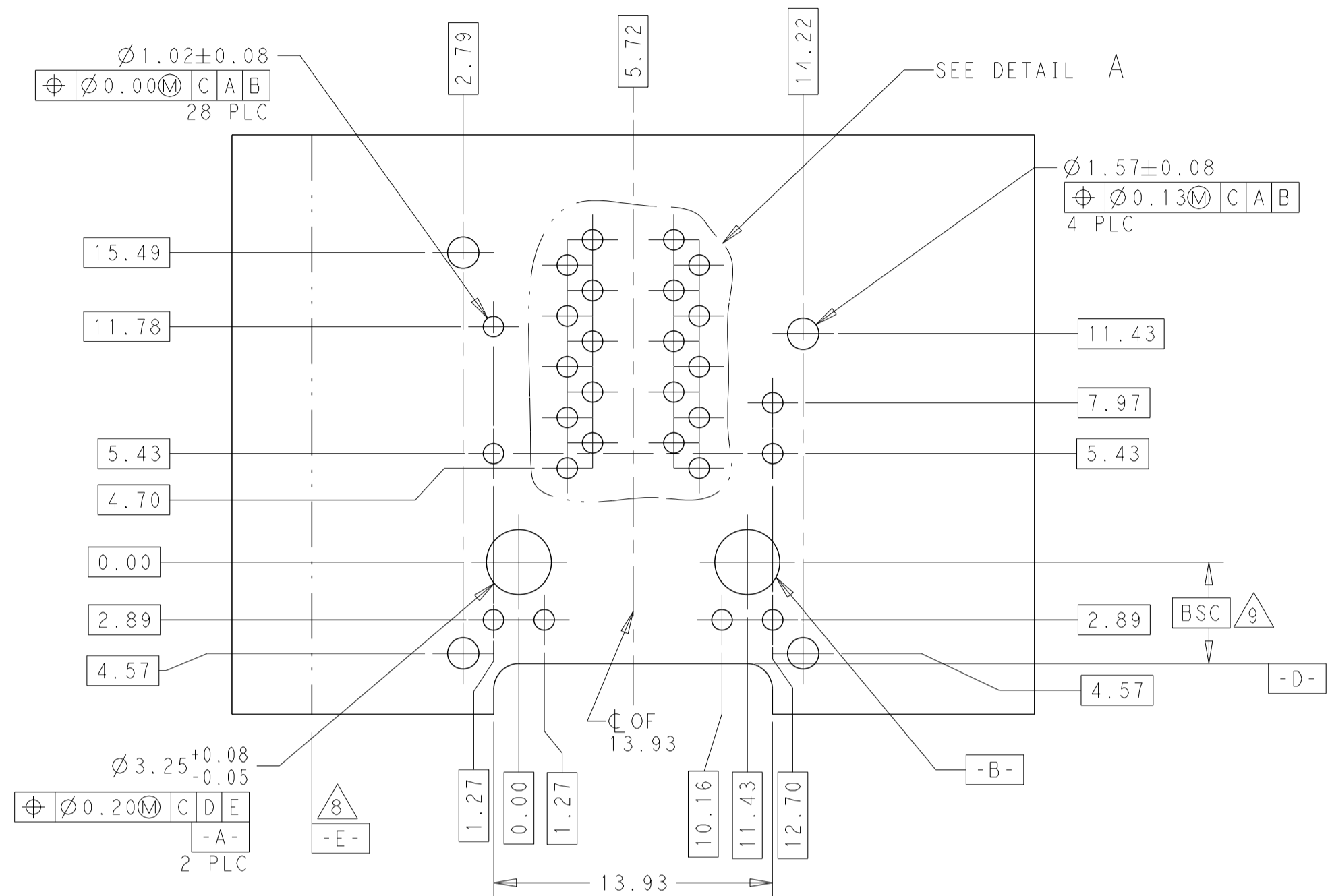
C1 = 1000pF, 2kV CAPACITOR
C2 - C3 = 10nF, 50V CAPACITORS
R1-R4 = 75 Ohms, 1/16 W, RESISTORS

3.04	GRN/YEL	GRN/YEL	GRN/YEL	GRN/YEL	1-1840643-4
3.04	GREEN	YELLOW	GREEN	YELLOW	1-1840643-3
2.50	GREEN	YELLOW	GREEN	YELLOW	1840643-3
DIM A	BOTTOM LED 2	BOTTOM LED 1	TOP LED 2	TOP LED 1	PART NUMBER

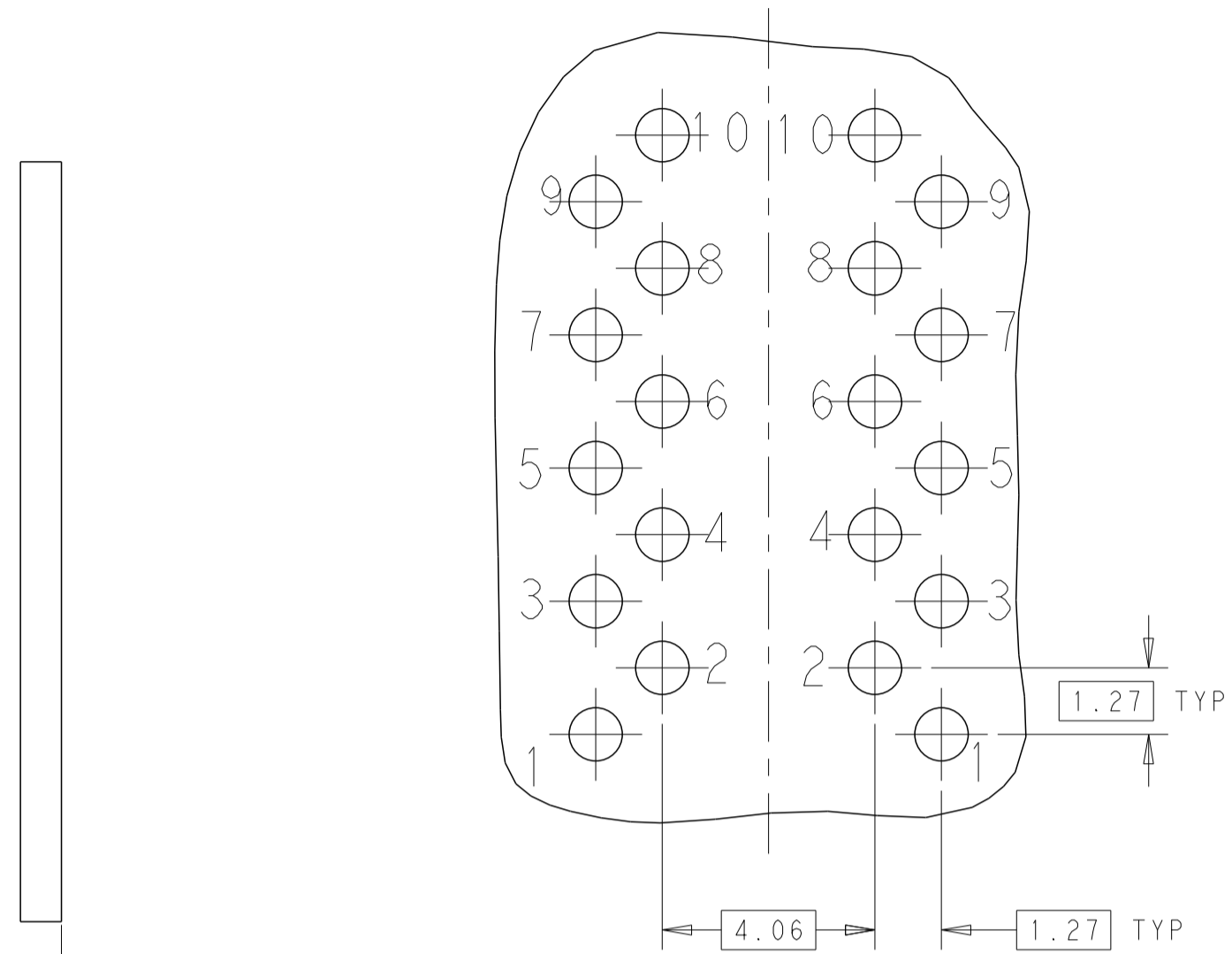
THIS DRAWING IS A CONTROLLED DOCUMENT.		DWN: 30MAY2011 GABRIEL Z;FRANK LIU		DONGGUAN CHINA	
DIMENSIONS: mm		CHK: 30MAY2011 TONY YUAN		trp CONNECTOR	
TOLERANCES UNLESS OTHERWISE SPECIFIED:		APVD: 30MAY2011 KEITH ZHU		2X1 S8G56ET GIGABIT W/ LED	
0 PLC ±0.25		MODEL NAME		SIZE CAGE CODE DRAWING NO	
1 PLC ±0.25		MAGJACK		A1 C=1840643	
2 PLC ±0.25		STACK Non-PoE		RESTRICTED TO	
3 PLC ±		CUSTOMER DRAWING		SCALE 4:1 SHEET 1 OF 4 REV D	
4 PLC ±		PRODUCT SPEC 108-104004			
ANGLES ±					
APPLICATION SPEC ±					



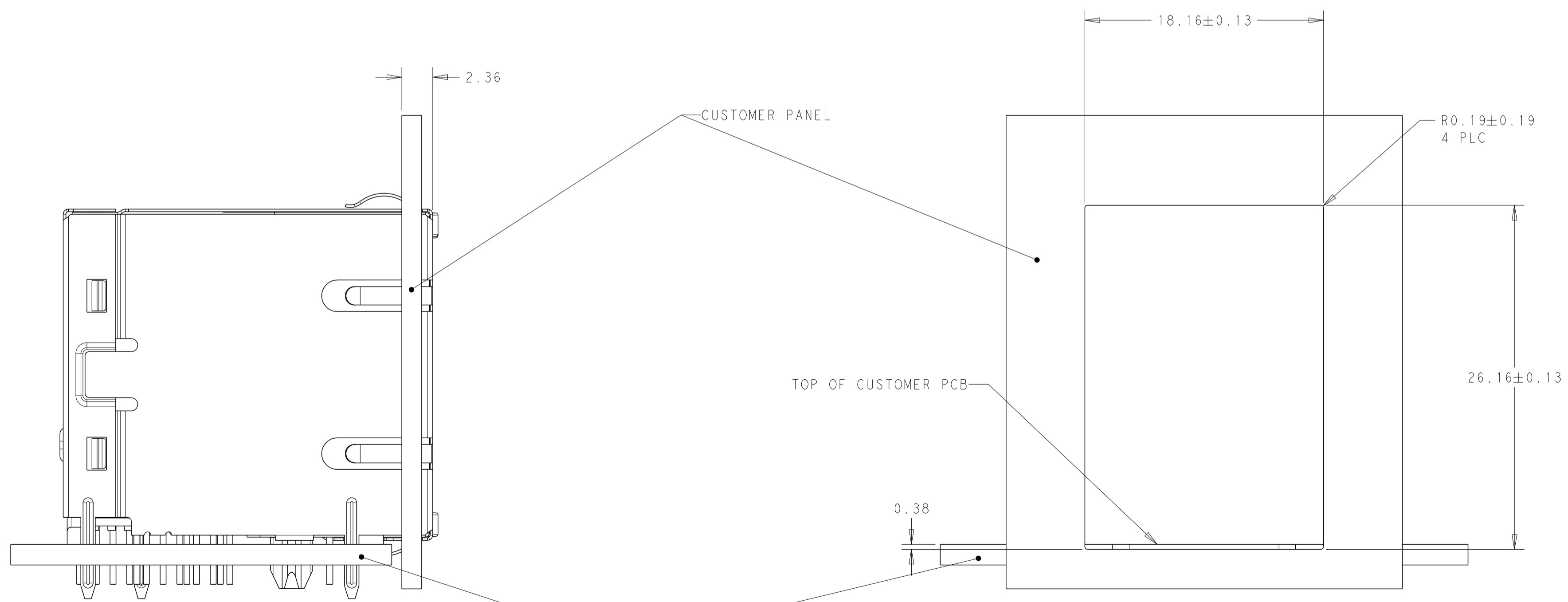
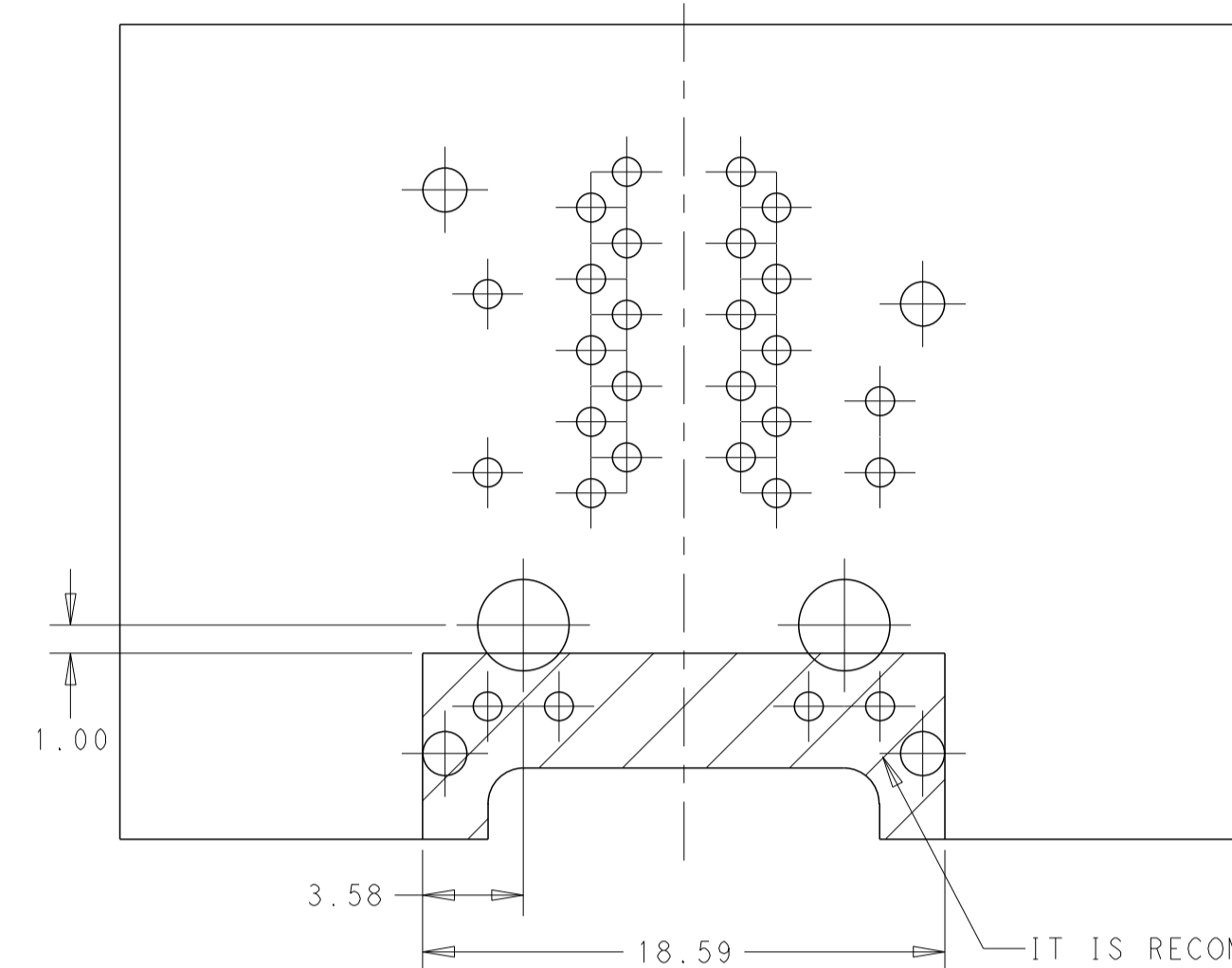
THIS DRAWING IS A CONTROLLED DOCUMENT.		DWR: 30MAY2011 GABRIEL Z, FRANK LIU		trp CONNECTOR DONGGUAN CHINA
DIMENSIONS: mm		CHK: 30MAY2011 TONY YUAN		
		APVD: 30MAY2011 KEITH ZHU		DESC: 2X1 S8G56ET GIGABIT W/ LED
TOLERANCES UNLESS OTHERWISE SPECIFIED: 0 PLC ±0.25 1 PLC ±0.25 2 PLC ±0.25 3 PLC ± 4 PLC ± ANGLES ±		MODEL NAME: MAGJACK		SIZE: A1
PRODUCT SPEC: 108-104004		APPLICATION SPEC: -		CAGE CODE: C=1840643 DRAWING NO: RESTRICTED TO: - SCALE: 4:1 SHEET 2 OF 4 REV D
CUSTOMER DRAWING				



RECOMMENDED PCB LAYOUT COMPONENT SIDE VIEW



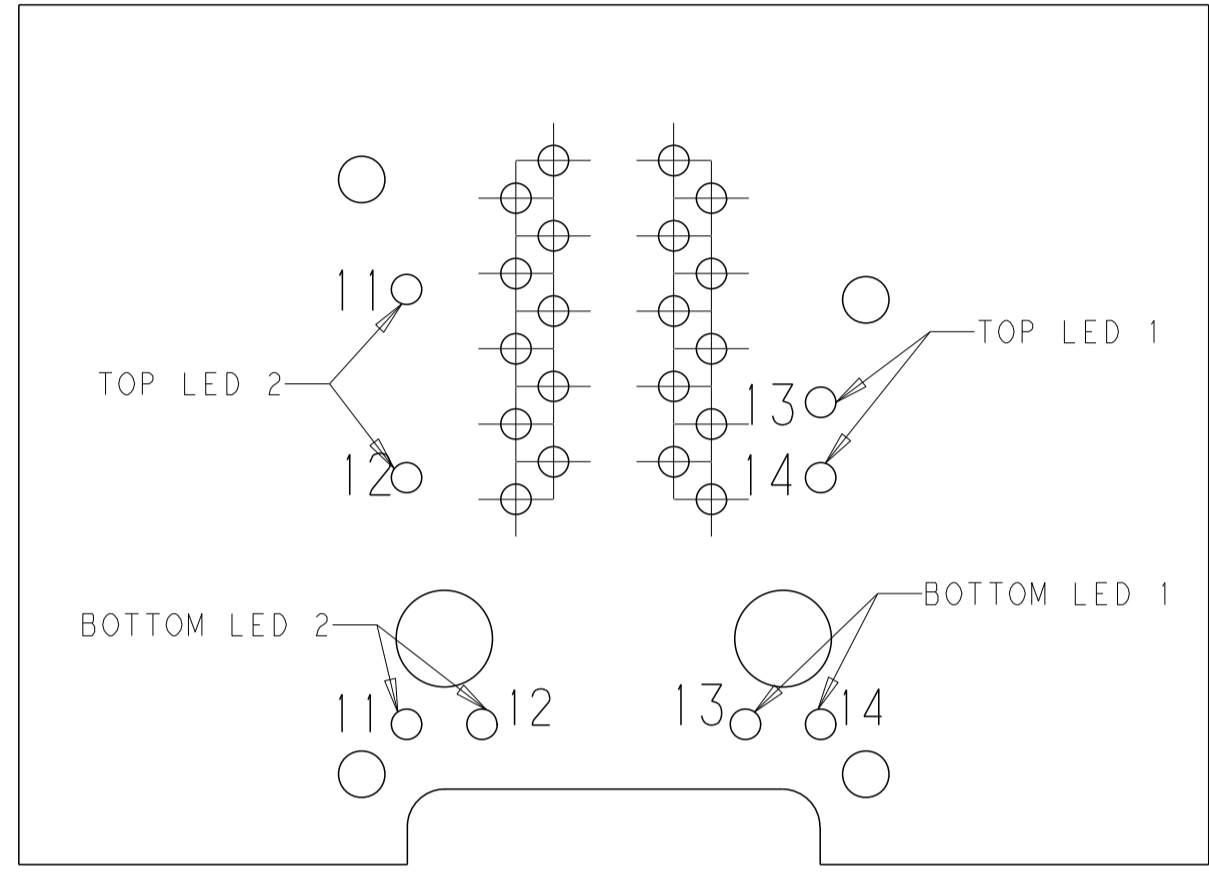
DETAIL A SCALE 8:1



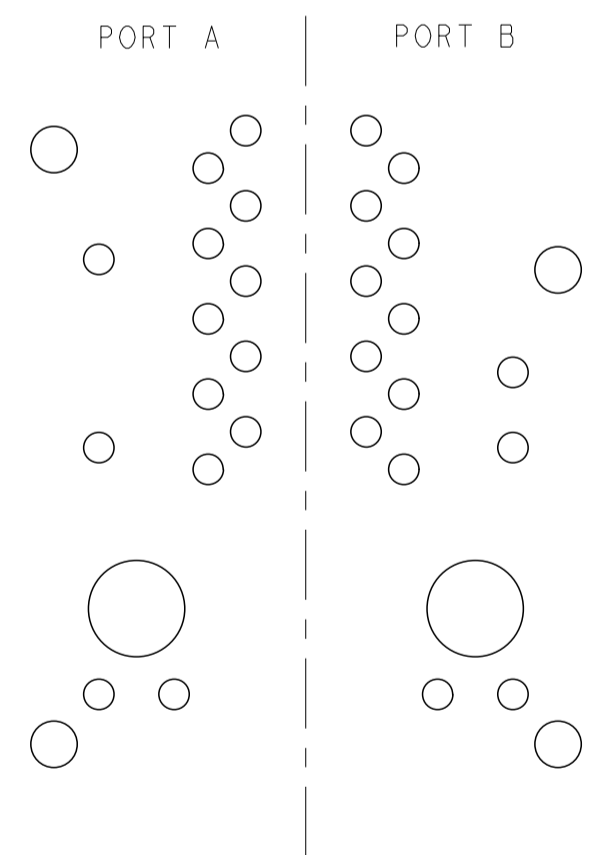
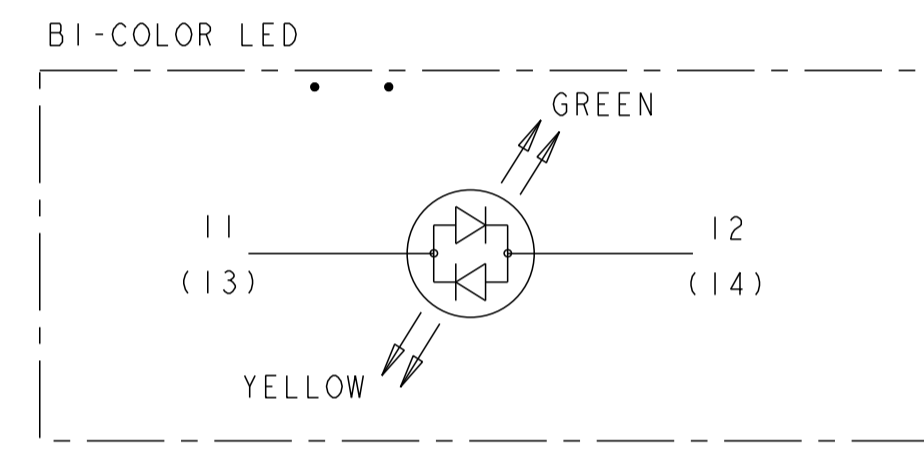
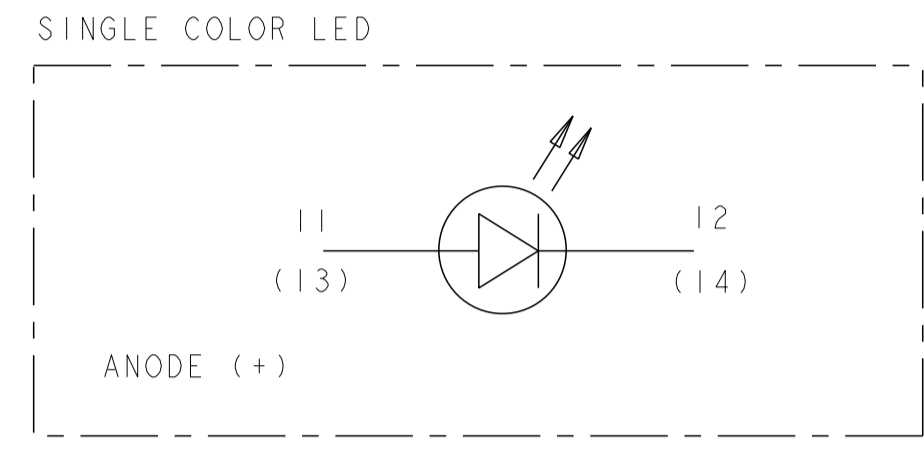
SHOWN WITH PANEL AND CUSTOMER PCB ASSEMBLY

SUGGESTED PANEL CUTOUT DIMENSIONS


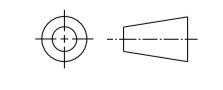
THIS DRAWING IS A CONTROLLED DOCUMENT.		DWG: 30MAY2011			DONGGUAN CHINA
		CHK: GABRIEL Z; FRANK LIU			
DIMENSIONS: mm		CHK: TONY YUAN		DESC: 2X1 S8G56ET GIGABIT W/ LED	
		APPRO: KEITH ZHU		SIZE: A1	
PRODUCT SPEC: 108-104004		MODEL NAME: MAGJACK		CAGE CODE: C=1840643	
		APPLICATION SPEC: -		DRAWING NO: 1840643	
		CUSTOMER DRAWING		SCALE: 4:1 SHEET 3 OF 4 REV D	



LED HOLE DESIGNATIONS
VIEWED FROM COMPONENT SIDE



PORT ASSIGNMENT
COMPONENT SIDE VIEW

THIS DRAWING IS A CONTROLLED DOCUMENT.		DWR: 30MAY2011 GABRIEL Z. FRANK LIU		 DONGGUAN CHINA
DIMENSIONS: mm		CHK: 30MAY2011 TONY YUAN		
		TOLERANCES UNLESS OTHERWISE SPECIFIED: 0 PLC ±0.25 1 PLC ±0.25 2 PLC ±0.25 3 PLC ± 4 PLC ± ANGLES ±°		MODEL NAME: MAGJACK STACK Non-PoE
PRODUCT SPEC: 108-104004		APPLICATION SPEC: -		DESC: 2X1 S8G56ET GIGABIT W/ LED SIZE: A1 CAGE CODE: C=1840643 DRAWING NO: - RESTRICTED TO: - SCALE: 4:1 SHEET 4 OF 4 REV D
CUSTOMER DRAWING				