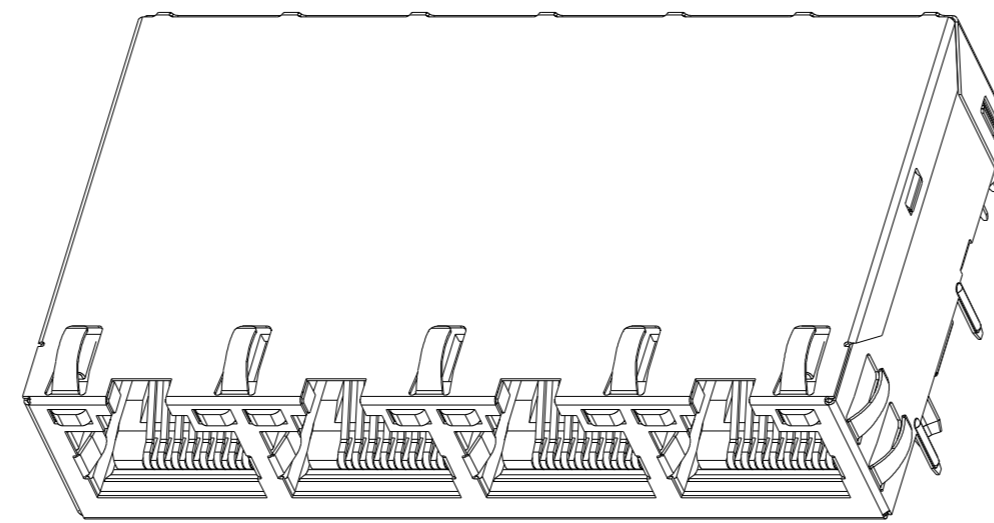
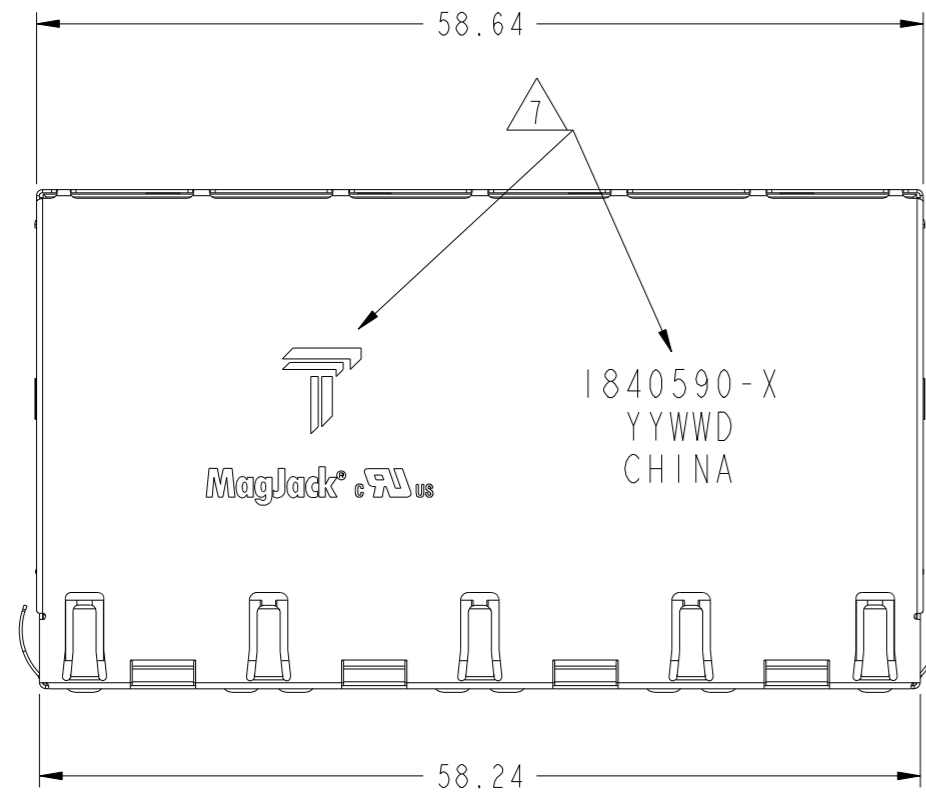


THIS DRAWING AND THE SUBJECT MATTER SHOWN THEREON ARE CONFIDENTIAL AND THE PROPERTY OF BEL/STEWART/TRP CONNECTOR AND SHALL NOT BE REPRODUCED, COPIED, OR USED IN ANY MANNER WITHOUT THE WRITTEN CONSENT OF TRP CONNECTOR.

PRODUCT MAY BE PROTECTED BY ONE OR MORE OF THE FOLLOWING US PATENTS:
 5736910 5939955 6425781 6428361 6554638 6840817 7123117
 7429195 7717749 7808751 6217391 6149050 7924130

REVISIONS				
P	LTR	DESCRIPTION	DATE	APVD
E		EC-1411035 COMPANY LOGO CHANGE	26DEC2014	DP TY



1. MATERIALS

HOUSING: THERMOPLASTIC, BLACK, FLAMMABILITY RATING UL 94V-0
 SHIELD: BRASS, 0.20mm THICK, PREPLATED WITH MIN 0.76um SEMI-BRIGHT NICKEL
 POST DIPPED WITH 2.54um MIN SAC SOLDER AT GROUND PINS.
 CONTACT: PHOSPHOR BRONZE, 0.46mm X0.25mm
 WITH 1.27um MIN OVERALL NICKEL UNDERPLATE AND
 SELECTIVE 1.27um MIN GOLD PLATING AT MATING INTERFACE
 SOLDER TAIL: 0.25mm THICK, PHOSPHOR BRONZE, 1.27um MIN OVERALL NICKEL
 UNDERPLATE, 3um MIN TIN PLATE
 LIGHT PIPE: POLYCARBON, TRANSPARENT, RATING UL 94V-0
 LED: DIFFUSED EPOXY LENS, CARBON STEEL WIREFRAME LEADS
 PREPLATED WITH 2.03um MIN SILVER OVER 1.02um MIN NICKEL UNDERPLATE
 OVER 1.02um MIN COPPER UNDERPLATE; POST PLATED WITH 2.54um MIN MATTE TIN.

2

MAGNETICS

-APPLICATION: 10/100/1000 BASE-T, EXTENDED TEMPERATURE
 -IMPEDANCE: 100 OHMS
 -TURNS RATIO (CHIP:CABLE): 1:1 ALL FOUR PAIRS
 -OPEN CIRCUIT INDUCTANCE (OCL): 350uH MIN @100kHz, 0.1VRMS,
 8mA DC BIAS FROM -40°C TO 85°C, ALL FOUR PAIRS
 -ALL FOUR PAIRS BI-DIRECTIONAL
 -PERFORMANCE @ 25°C:
 INSERTION LOSS (IL): 1.1dB MAX FROM 0.5MHz TO 100MHz
 RETURN LOSS (RL): 18dB MIN FROM 0.5MHz TO 40MHz
 12-20LOG(f/80)dB MIN FROM 40.1MHz TO 100MHz
 CROSSTALK ATTENUATION: 35dB MIN FROM 0.5MHz TO 40MHz
 33-20LOG(f/50)dB MIN FROM 40.1MHz TO 100MHz
 COMMON MODE REJECTION RATIO (CMRR): 30dB MIN FROM 0.5MHz TO 100MHz
 -ISOLATION VOLTAGE: 2250VDC (MAX) FOR 60 SECONDS WITH A RISE TIME OF 500V/SEC AND
 WITH ALL PORTS CONNECTED.

3

THE MAGNETIC CIRCUIT ON ALL FOUR CHANNELS IS SYMMETRICAL AND SUPPORTS AUTO-MDIX OPERATION.

4. OPERATING TEMPERATURE: -40°C ~ 85°C

5

LEDS ARE DRIVEN WITH CONSTANT CURRENT AT APPROX 20mA.
 LED COLOR: DOMINANT WAVELENGTH (λD): GREEN 568 nm TYP. at IF=20mA
 FORWARD VOLTAGE (VF): GREEN 2.2V TYP. at IF=20mA
 DOMINANT WAVELENGTH (λD): YELLOW 588 nm TYP. at IF=20mA
 FORWARD VOLTAGE (VF): YELLOW 2.1V TYP. at IF=20mA

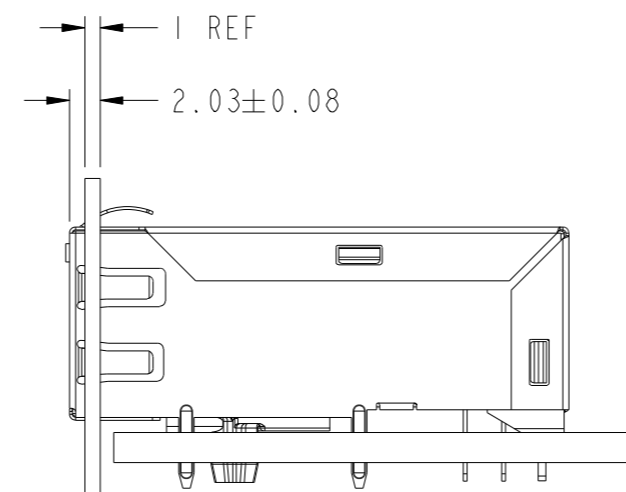
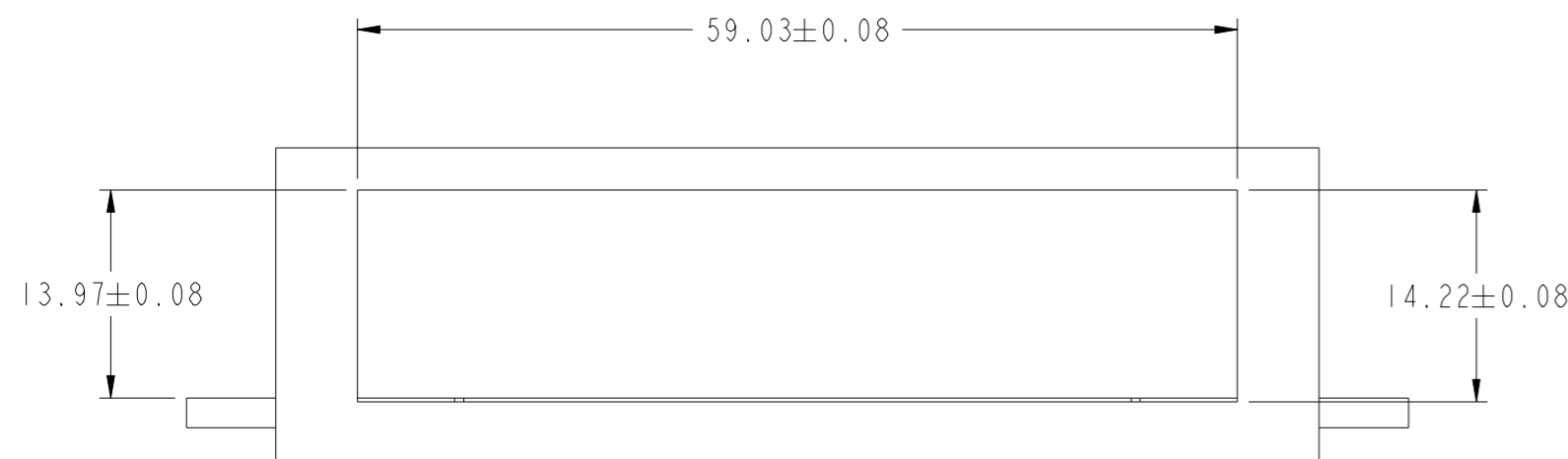
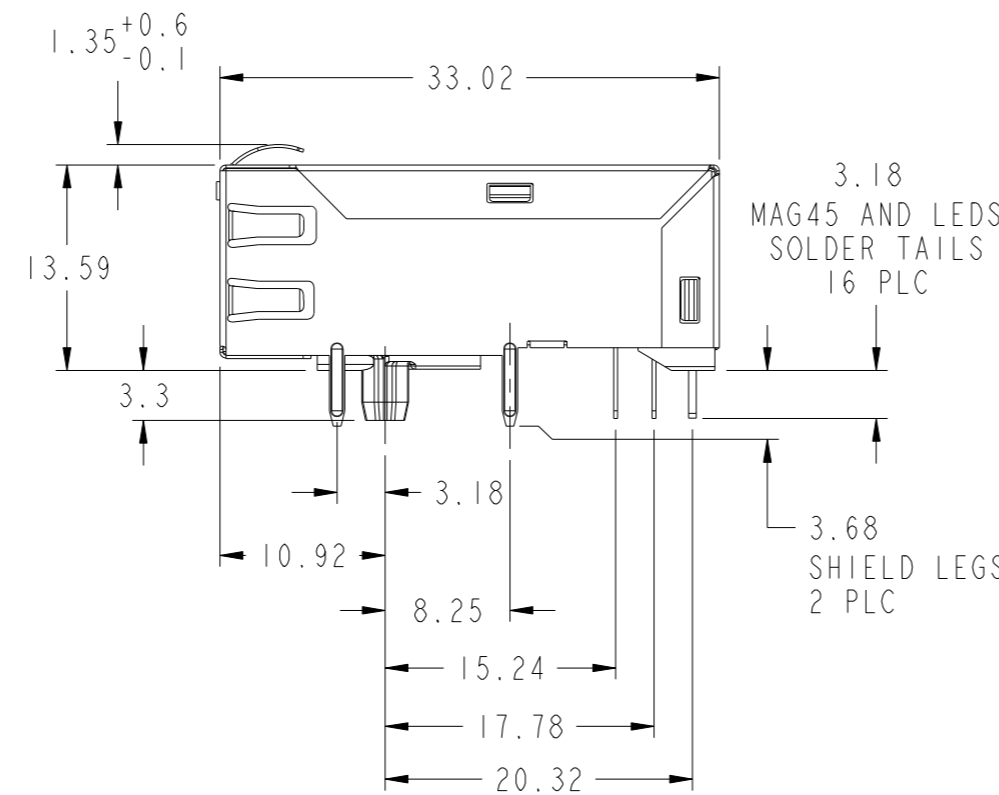
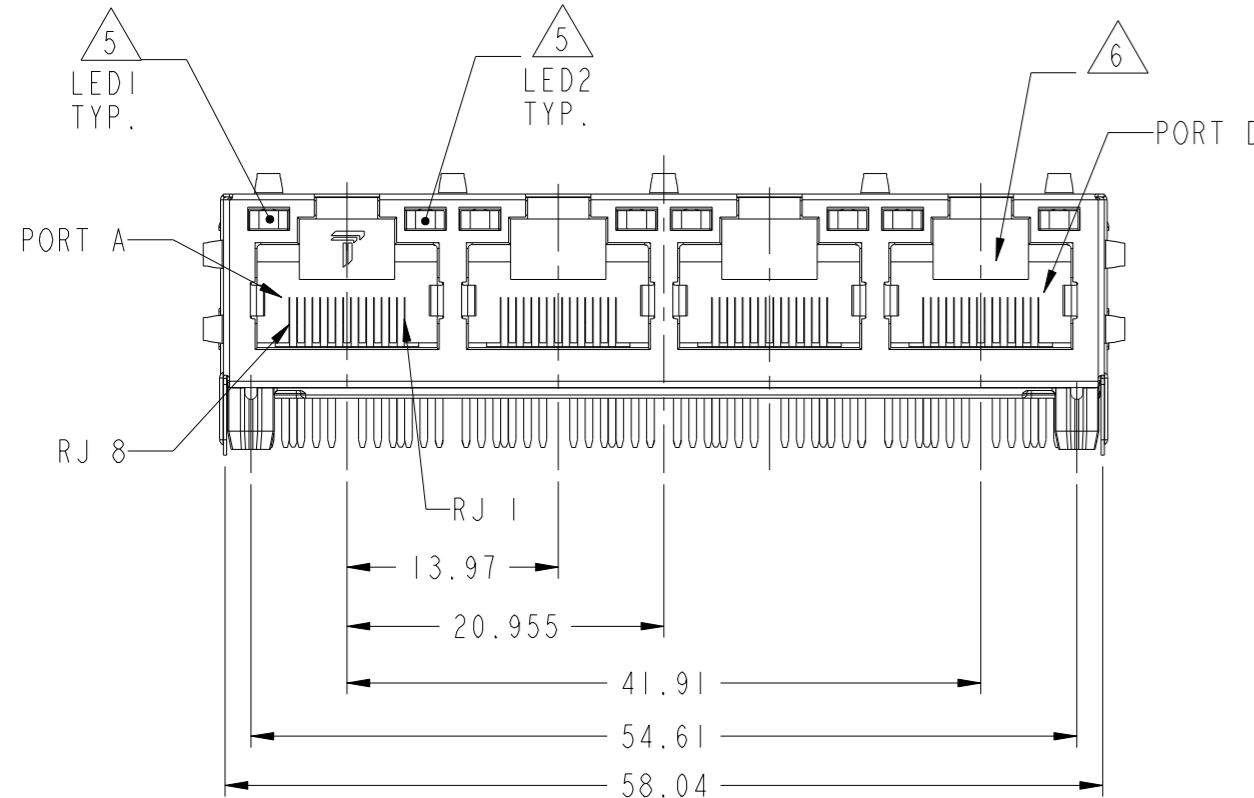
6

RJ45 CAVITY CONFORMS TO FCC RULES AND REGULATION PART 68 SUBPART F.

7

TRP CONNECTOR LOGO, PART NUMBER, DATE CODE, COUNTRY OF ORIGIN, AGENCY APPROVAL MARKING IN APPROPRIATE LOCATION SHOWN.
 DATE CODE: YYWWD "YY" IS YEAR, "WW" IS WORK WEEK, "D" IS DAY OF WEEK, WITH SUNDAY=1.

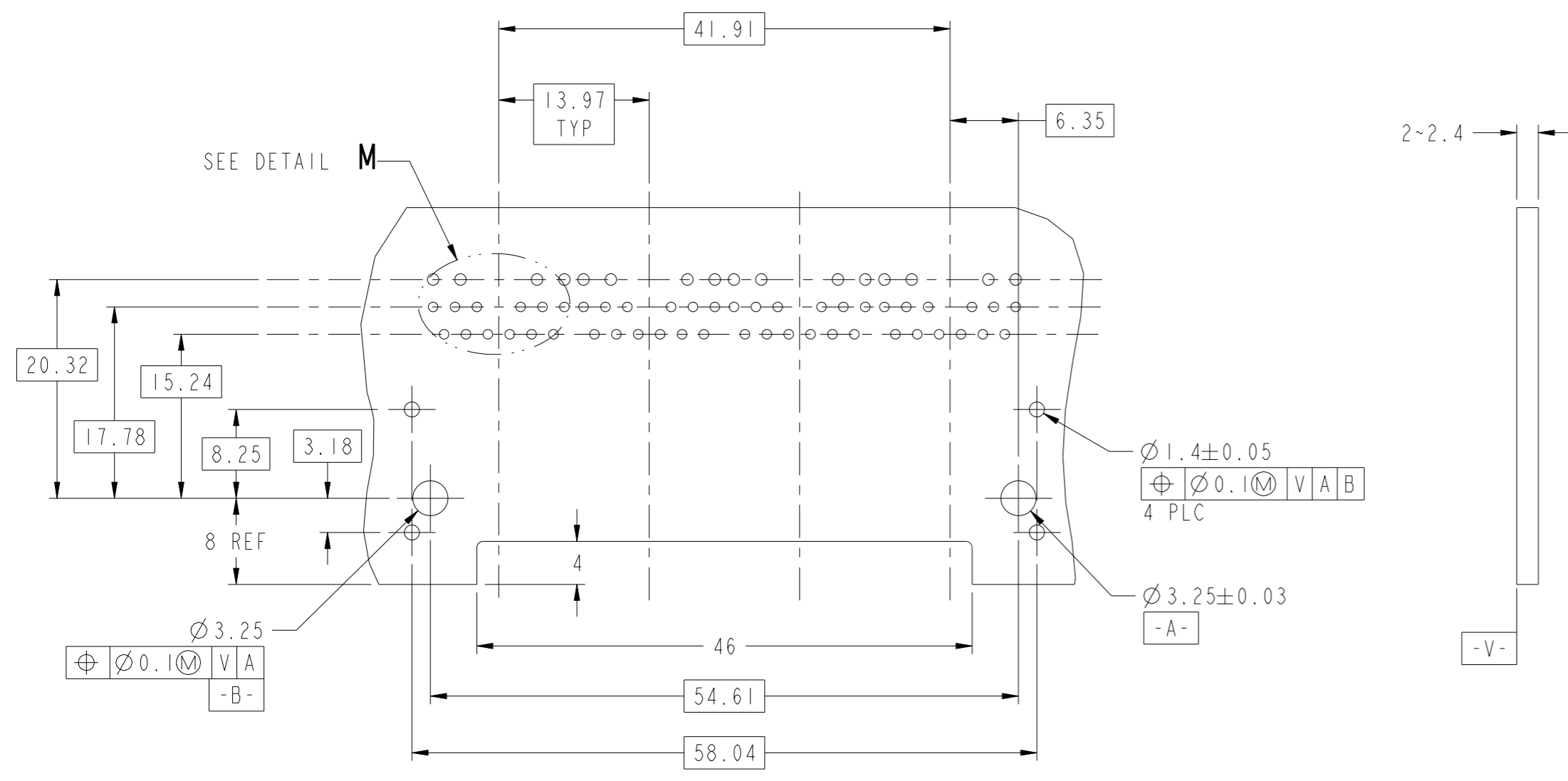
8. PART SHOULD BE RECOMMENDED FOR WAVE SOLDERING PROCESS, PEAK WAVE SOLDERING TEMPERATURE IS 260°C, 10sec MAX.



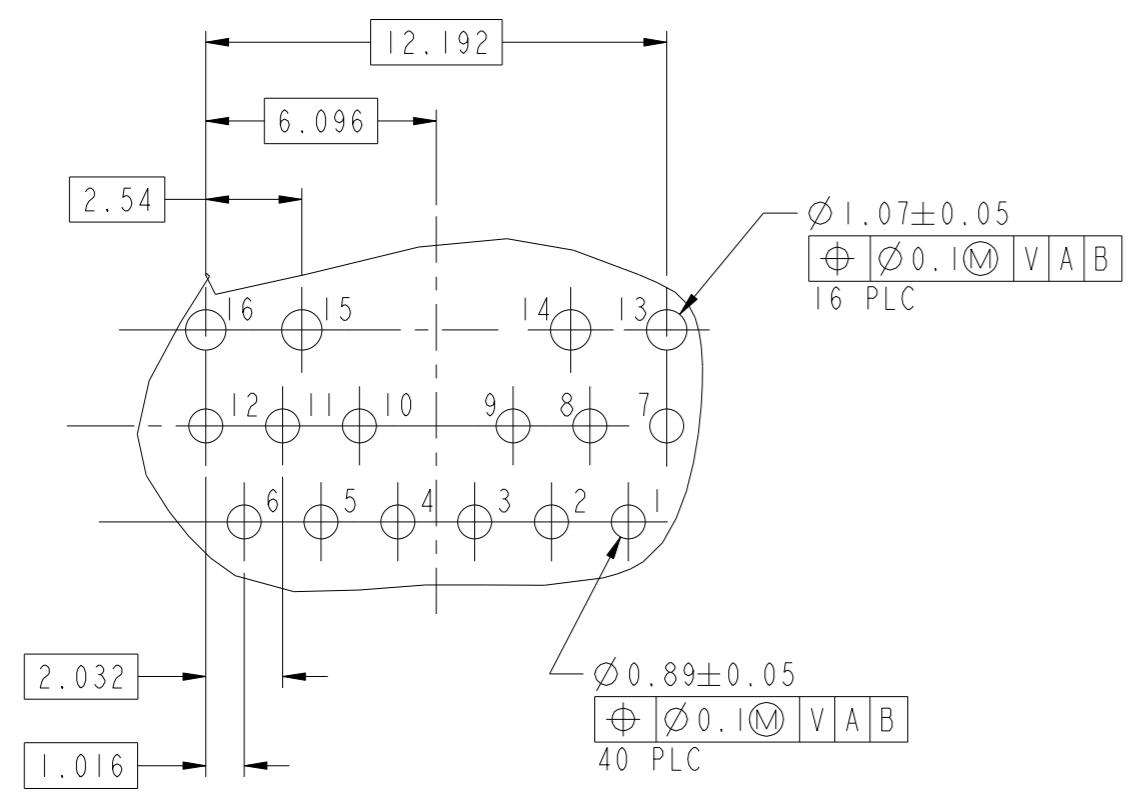
CONNECTOR ASSEMBLED TO PANEL AND PCB SCALE 2:1

GREEN	GREEN/YELLOW	1840590-5
GREEN/YELLOW	GREEN	1-1840590-6
LED2	LED1	PART NUMBER

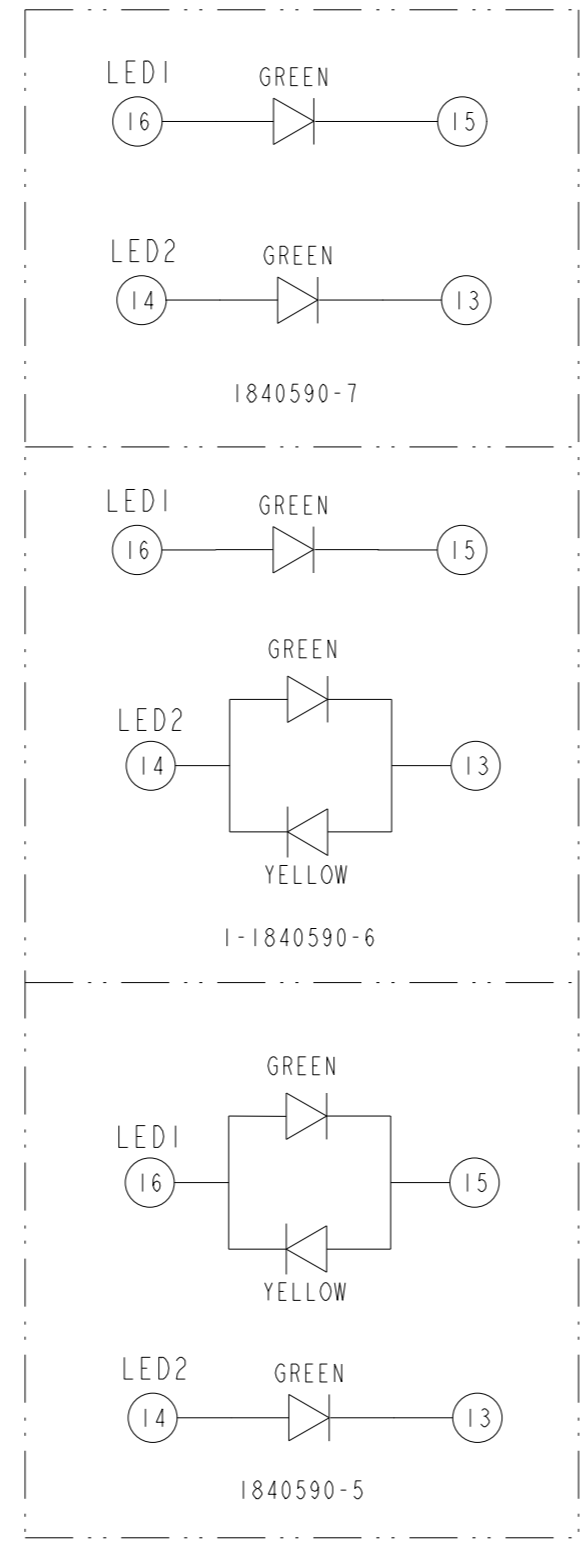
THIS DRAWING IS A CONTROLLED DOCUMENT.		DWN TOWER YU 08JAN2010	trp CONNECTOR a bel group DONGGUAN CHINA	
DIMENSIONS: mm		CHK TONY YUAN 08JAN2010		
TOLERANCES UNLESS OTHERWISE SPECIFIED:		APVD KEITH ZHU 08JAN2010		
0 PLC ± 1 PLC ±0.25 2 PLC ±0.25 3 PLC ±0.25 4 PLC ± ANGLES ± APPLICATION SPEC		MODEL NAME		
PRODUCT SPEC 108-104004		MAGJACK GANG NON-POE	DESC IX4 7G41ET GIGABIT TAB UP LOW PROFILE W/ LED	RESTRICTED TO -
		SIZE A2	CAGE CODE C-1840590	SCALE NTS SHEET 1 OF 2 REV E



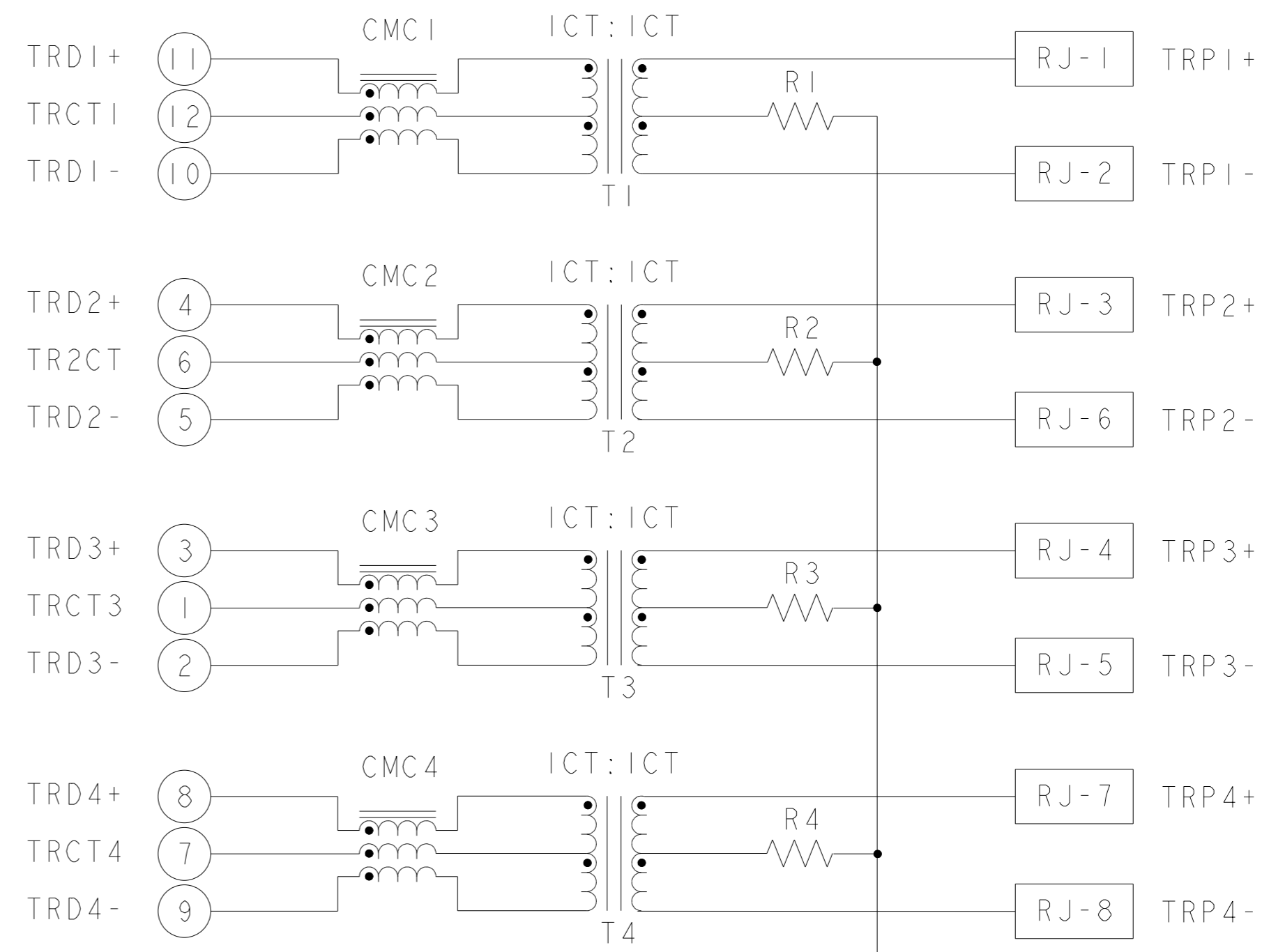
SUGGESTED PCB FOOTPRINT COMPONENT SIDE SCALE 2:1



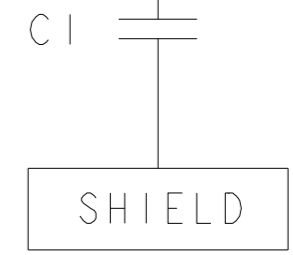
DETAIL M SCALE 5:1 TYP



7G41ET GIGABIT CIRCUIT



C1 = 1000pF, 3KV DECOUPLING CAPACITOR
R1~R4 = 75 OHMS, 1/16 W, 5% RESISTORS



THIS DRAWING IS A CONTROLLED DOCUMENT.		DWN TOWER YU 08JAN2010	 DONGGUAN CHINA
DIMENSIONS: mm		CHK TONY YUAN 08JAN2010	
TOLERANCES UNLESS OTHERWISE SPECIFIED:		APVD KEITH ZHU 08JAN2010	
0 PLC ± 1 PLC ±0.25 2 PLC ±0.25 3 PLC ±0.25 4 PLC ± ANGLES ± APPLICATION SPEC		MODEL NAME	
PRODUCT SPEC 108-104004		MAGJACK GANG NON-POE	DESC IX4 7G41ET GIGABIT TAB UP LOW PROFILE W/ LED
		SIZE A2	RESTRICTED TO -
		CAGE CODE C-1840590	SCALE NTS SHEET 2 OF 2 REV E
		CUSTOMER DRAWING	