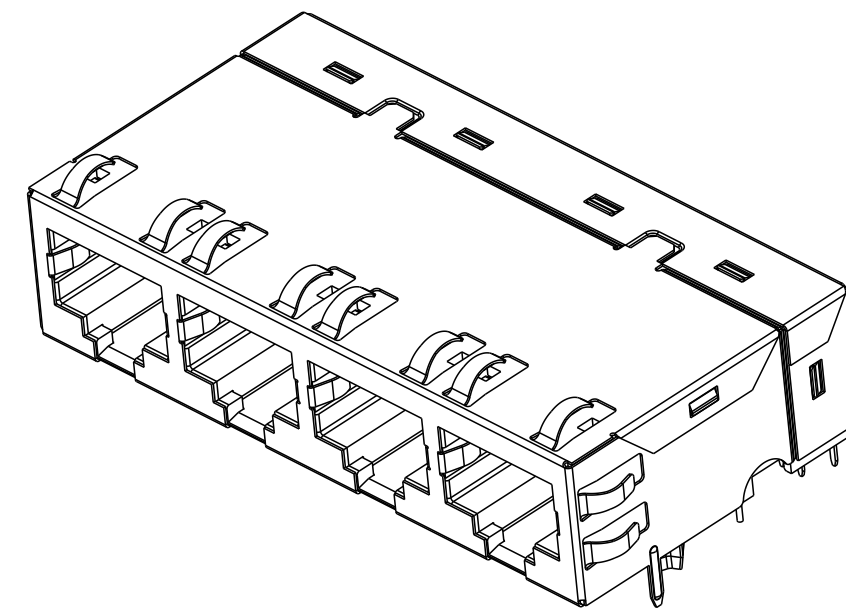
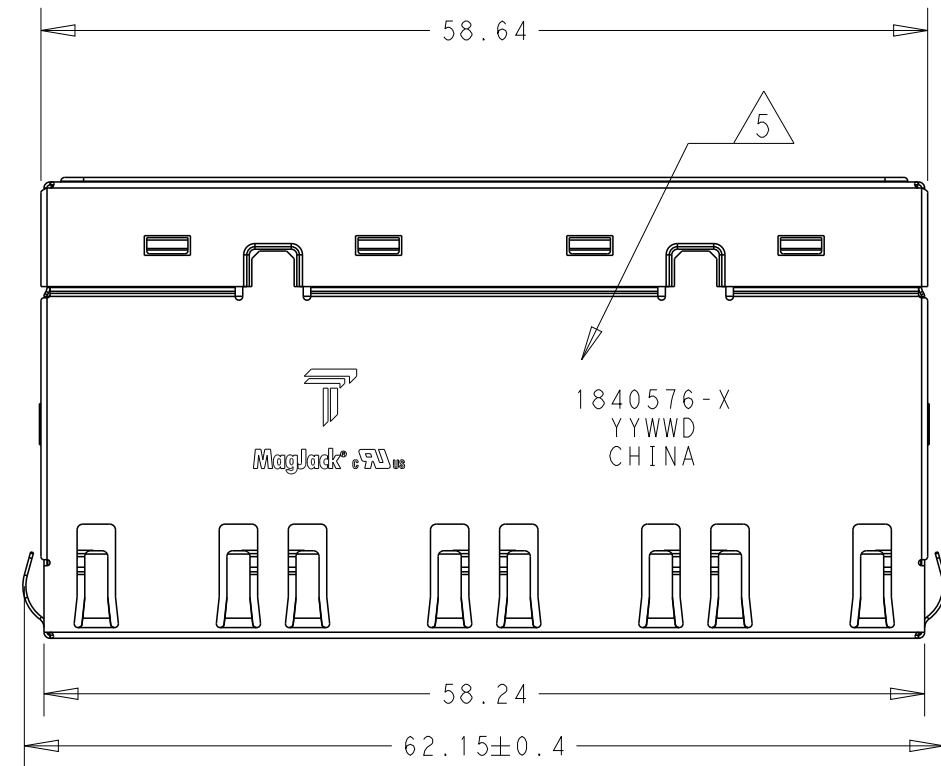


THIS DRAWING AND THE SUBJECT MATTER SHOWN THEREON ARE CONFIDENTIAL AND THE PROPERTY OF BEL/STEWART/TRP CONNECTOR AND SHALL NOT BE REPRODUCED, COPIED, OR USED IN ANY MANNER WITHOUT THE WRITTEN CONSENT OF TRP CONNECTOR.

PRODUCT MAY BE PROTECTED BY ONE OR MORE OF THE FOLLOWING US PATENTS:  
 5736910 5939955 6425781 6428361 6554638 6840817 7123117  
 7429195 7717749 7808751 6217391 6149050 7924130

REVISIONS				
P	LTR	DESCRIPTION	DATE	APVD
4		SEE LAST SHEET	20JAN2015	RL TY



- MATERIAL  
 HOUSING: THERMOPLASTIC BLACK, FLAMMABILITY RATING UL 94V-0  
 SHIELD: 0.20mm THICK, BRASS  
 PREPLATED WITH 0.76um MIN SEMI-BRIGHT NICKEL  
 POST-DIPPED WITH 2.54um MIN SAC SOLDER AT GROUND PINS.  
 CONTACT TAILS: PHOSPHOR BRONZE, 0.46mmX0.30mm  
 WITH 1.27um MIN OVERALL NICKEL UNDERPLATE AND  
 SELECTIVE 1.27um MIN GOLD PLATING AT MATING INTERFACE  
 SOLDER TAIL: 0.25mm THICK, PHOSPHOR BRONZE, 1.27um MIN OVERALL NICKEL  
 UNDERPLATE, 3um MIN TIN PLATE.

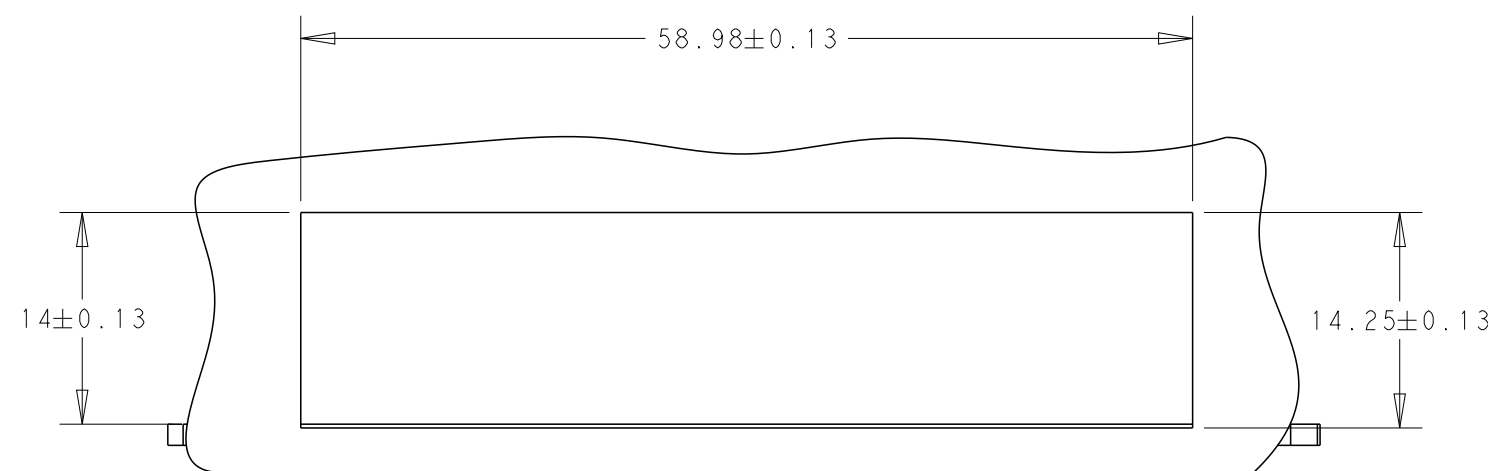
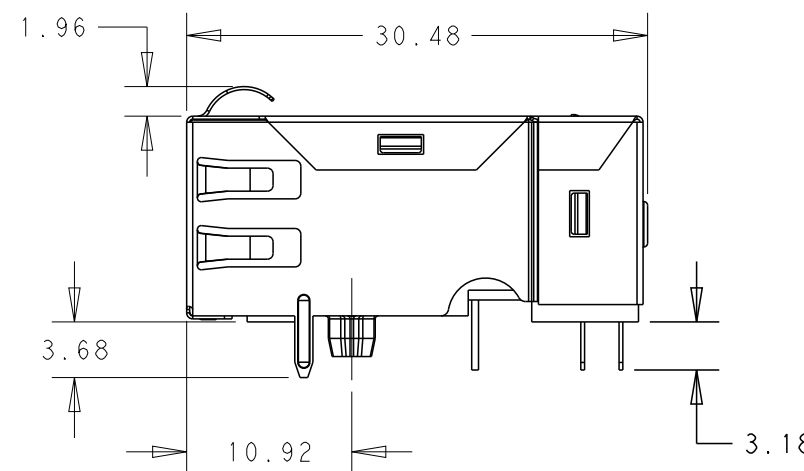
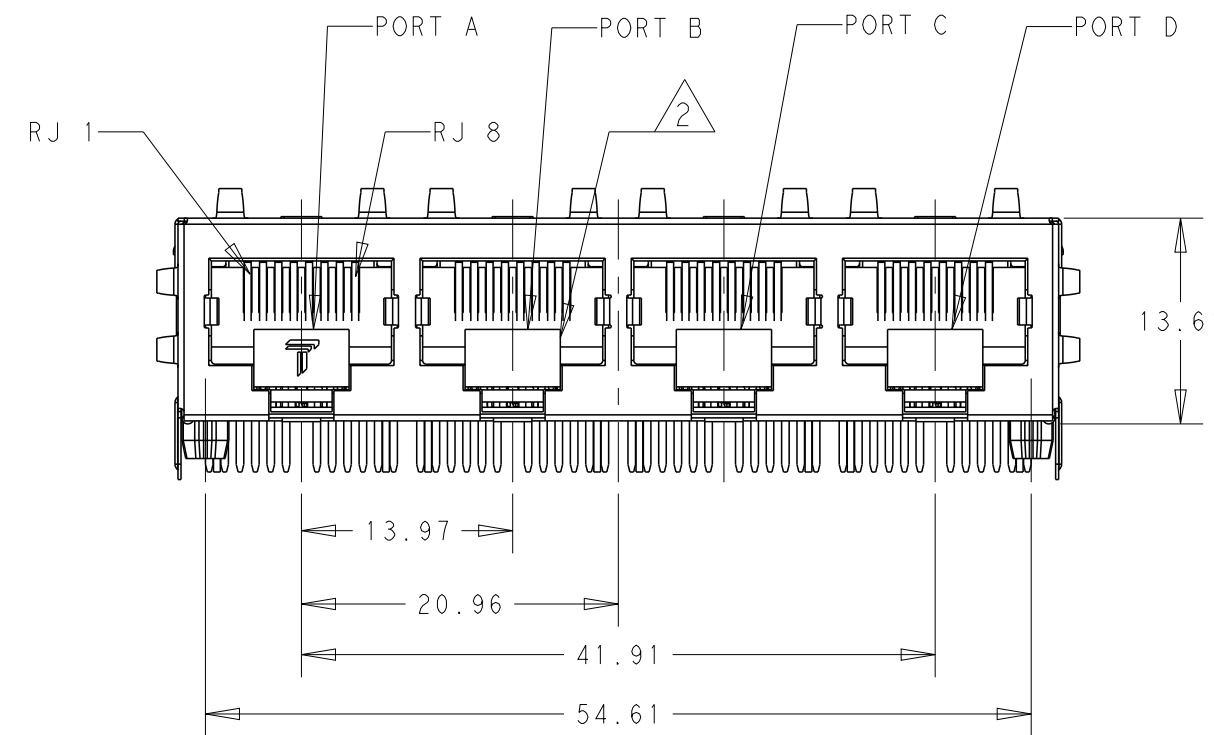
△2 RJ45 CAVITY CONFORMS TO FCC RULES AND REGULATIONS PART 68, SUB-PART F.

- MAGNETICS  
 -APPLICATION: 10/100/1000 BASE-T, PoE PLUS  
 -IMPEDANCE: 100 OHMS  
 -TURNS RATIO (CHIP:CABLE): 1:1 ALL FOUR PAIRS  
 -OPEN CIRCUIT INDUCTANCE (OCL): 350uH MIN @100kHz, 0.1VRMS,  
 20mADC BIAS FROM 0°C TO 70°C, ACROSS RJ1-RJ2 & RJ3-RJ6  
 8mADC BIAS FROM 0°C TO 70°C, ACROSS RJ4-RJ5 & RJ7-RJ8  
 -ALL FOUR PAIRS BI-DIRECTINAL  
 -PoE CURRENT: 600mADC MAX  
 -PERFORMANCE @ 25°C:  
 INSERTION LOSS (IL): 1.1dB MAX FROM 0.5MHz TO 100MHz  
 RETURN LOSS (RL): 18dB MIN FROM 0.5MHz TO 40MHz  
 12-20LOG(f/80)dB MIN FROM 40.1MHz TO 100MHz  
 CROSSTALK ATTENUATION: 35dB MIN FROM 0.5MHz TO 40MHz  
 33-20LOG(f/50)dB MIN FROM 40.1MHz TO 100MHz  
 COMMON MODE REJECTION RATIO (CMRR): 30dB MIN FROM 0.5MHz TO 100MHz  
 -ISOLATION VOLTAGE: 2250VAC (MAX) FOR 60 SECONDS WITH A RISE TIME  
 OF 500V/SEC WITH ALL PORTS CONNECTED.

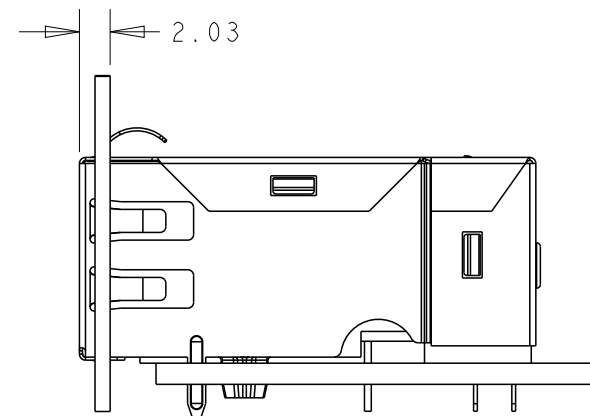
4. OPERATING TEMPERATURE: 0°C TO 70°C

△5 TRP CONNECTOR LOGO, PART NUMBER, DATE CODE, PLACE OF ORIGIN TO BE MARKED IN APPROXIMATE LOCATION AS SHOWN.

6. THE PART IS RECOMMENDED FOR WAVE SOLDERING PROCESS, PREHEAT TEMPERATURE IS 120°C TO 160°C, 120 SECONDS TO 180 SECONDS, PEAK WAVE SOLDERING TEMPERATURE IS 260°C MAX, 10 SECONDS MAX.




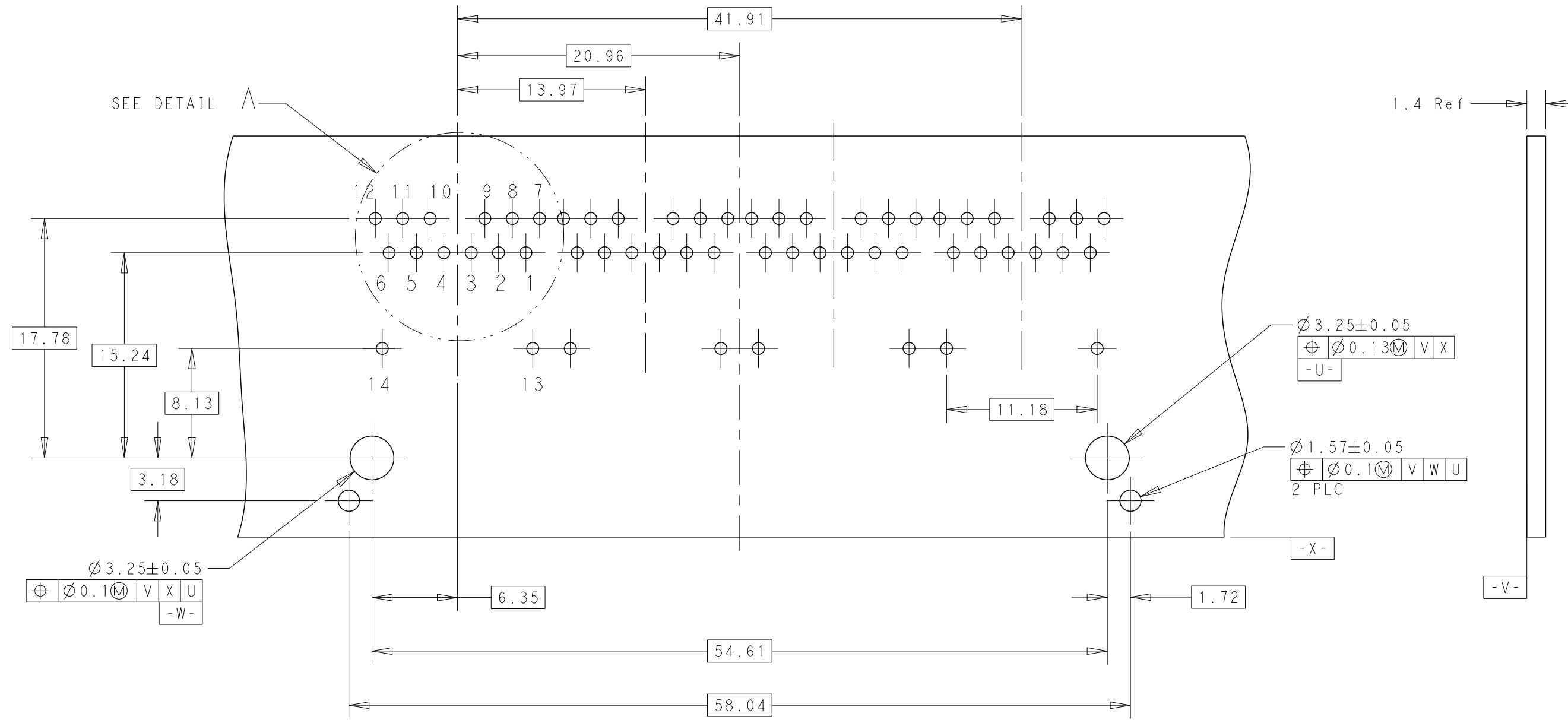
SUGGESTED PANEL CUTOUT



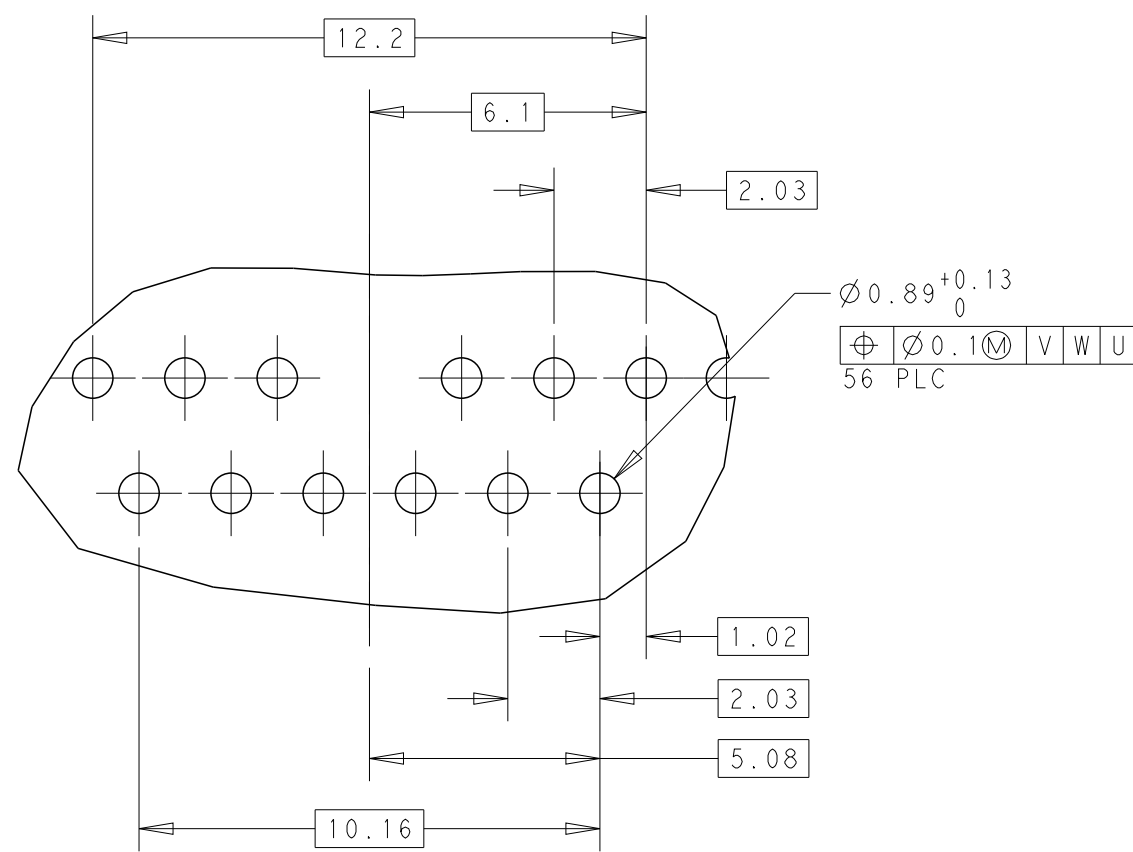
CONNECTOR ASSEMBLED TO PANEL AND PCB

1840576-1  
PART NUMBER

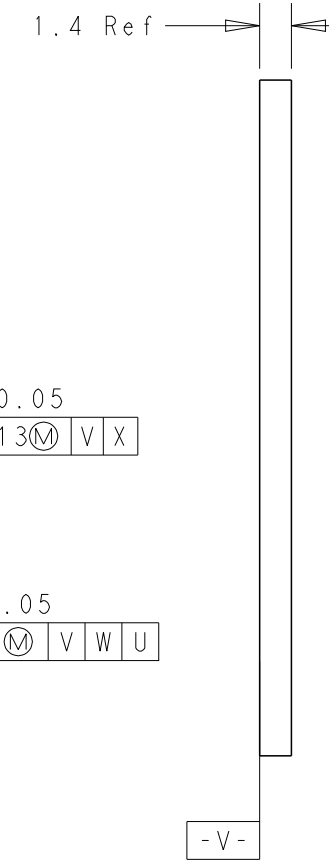
THIS DRAWING IS A CONTROLLED DOCUMENT.		DWN ROY LIU / EVAN MA 30SEP2010	 DONGGUAN CHINA	
DIMENSIONS: mm		CHK TOWER YU 30SEP2010		
TOLERANCES UNLESS OTHERWISE SPECIFIED:		APVD KEITH ZHU 30SEP2010	DESC 1X4 8HG59 GIGABIT PoE+ TAB DOWN LOW PROFILE W/O LED	
0 PLC ± 1 PLC ±0.25 2 PLC ±0.25 3 PLC ±0.25 4 PLC ± ANGLES ±		MODEL NAME MAGJACK GANG POE PLUS	SIZE A2	RESTRICTED TO -
PRODUCT SPEC 108-104004		APPLICATION SPEC -	DRAWING NO C-1840576	SCALE NTS
CUSTOMER DRAWING			SHEET 1 OF 3	REV 4



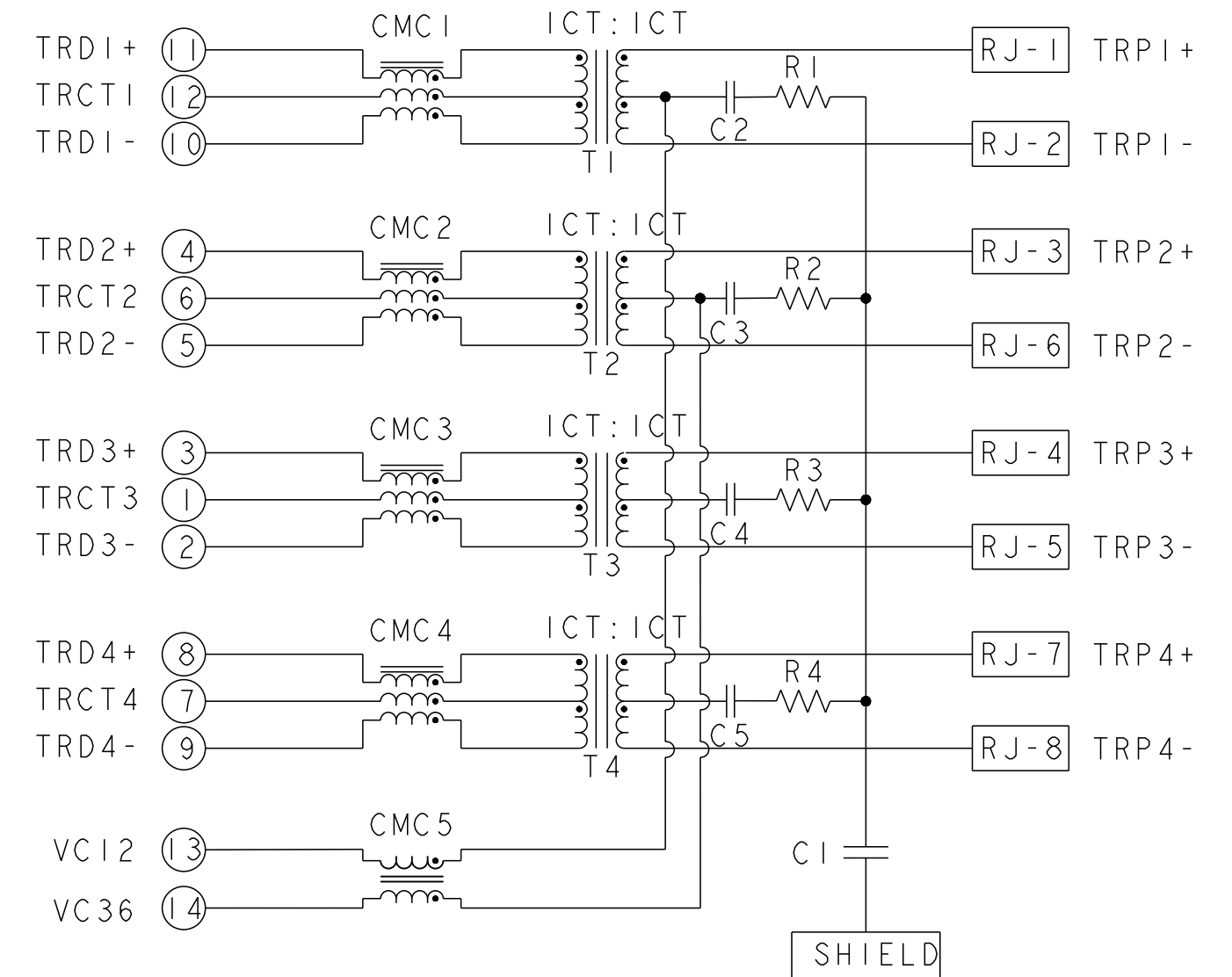
SUGGESTED PCB FOOTPRINT COMPONENT SIDE




DETAIL A  
SCALE 6:1




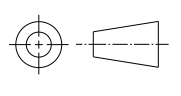
8HG59 GIGABIT PoE+ CIRCUIT  $\Delta$ 3



C1=1000pF, 2kV, DECOUPLING CAPACITOR  
R1-R4=75 Ohms, RESISTORS  
C2-C5=22nF, CAPACITORS

THIS DRAWING IS A CONTROLLED DOCUMENT.		DWN ROY LIU / EVAN MA 30SEP2010	 DONGGUAN CHINA
DIMENSIONS: mm		CHK TOWER YU 30SEP2010	
TOLERANCES UNLESS OTHERWISE SPECIFIED:		APVD KEITH ZHU 30SEP2010	DESC 1X4 8HG59 GIGABIT PoE+ TAB DOWN LOW PROFILE W/O LED
0 PLC ± 1 PLC ±0.25 2 PLC ±0.25 3 PLC ±0.25 4 PLC ± ANGLES ±		MODEL NAME MAGJACK GANG POE PLUS	SIZE A2
PRODUCT SPEC 108-104004		APPLICATION SPEC -	DRAWING NO C-1840576
CUSTOMER DRAWING			RESTRICTED TO -
SCALE NTS			SHEET 2 OF 3 REV 4

C_1840576						STOCK DISPOSITION			
						A: CONTINUE AS IS		D: USE OLD FIRST	
						B: REWORK		E: PARTS TO CONFORM	
						C: SCRAP		F: OTHER	
REVISION HISTORY									
DATE	REV	CHANGES	REASON	APPROVAL	INVENTORY (A,B,C,D,E,F)	WORK IN PROCESS (A,B,C,F)	SUPPLIER ORDERS (A,E,F)	OPEN CUST ORDERS (A,E,F)	
20JAN2015	4	EC-1411035 COMPANY LOGO CHANGE	MARKET REQUIREMENT	TONY YUAN	-	-	-	-	

THIS DRAWING IS A CONTROLLED DOCUMENT.		DWN ROY LIU / EVAN MA 30SEP2010	 <b>trp</b> CONNECTOR <small>a bel group</small>		DONGGUAN CHINA	
DIMENSIONS: mm		CHK TOWER YU 30SEP2010			DESC 1X4 8HG59 GIGABIT PoE+ TAB DOWN LOW PROFILE W/O LED	
		APVD KEITH ZHU 30SEP2010	SIZE A2		CAGE CODE C-1840576	RESTRICTED TO -
TOLERANCES UNLESS OTHERWISE SPECIFIED: 0 PLC ± 1 PLC ±0.25 2 PLC ±0.25 3 PLC ±0.25 4 PLC ± ANGLES ± APPLICATION SPEC		MODEL NAME MAGJACK GANG POE PLUS	DRAWING NO C-1840576		SCALE NTS	
PRODUCT SPEC 108-104004		CUSTOMER DRAWING		SHEET 3 OF 3		REV 4