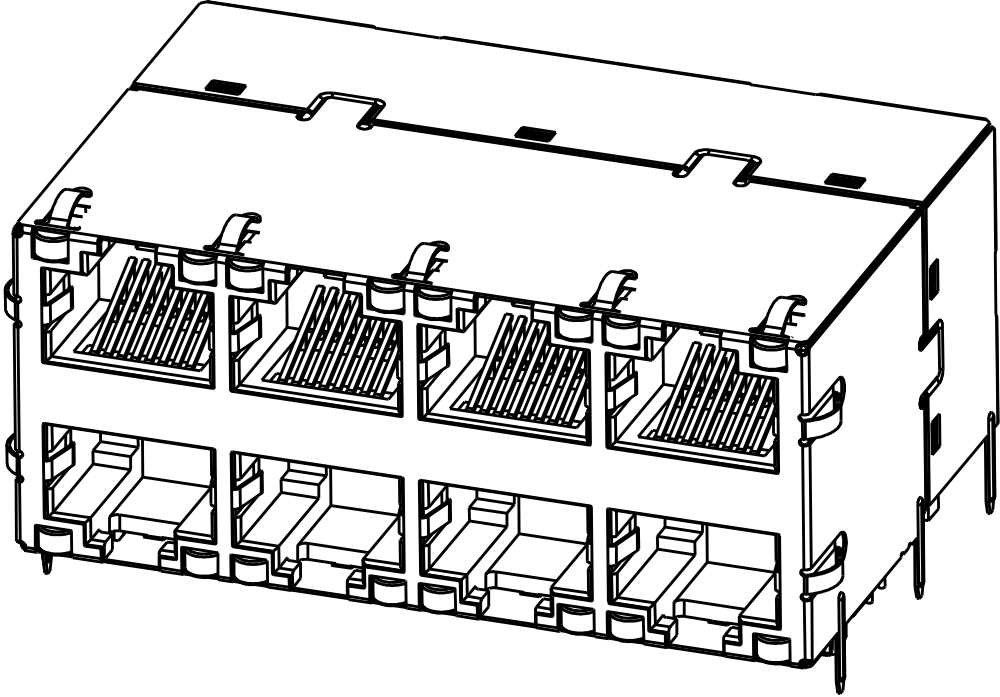


THIS DRAWING AND THE SUBJECT MATTER SHOWN THEREON ARE CONFIDENTIAL AND THE PROPERTY OF BEL/STEWART/TRP CONNECTOR AND SHALL NOT BE REPRODUCED, COPIED, OR USED IN ANY MANNER WITHOUT THE WRITTEN CONSENT OF TRP CONNECTOR.

PRODUCT MAY BE PROTECTED BY ONE OR MORE OF THE FOLLOWING US PATENTS:
 5736910 5939955 6425781 6428361 6554638 6840817 7123117
 7429195 7717749 7808751 6217391 6149050 7924130

REVISIONS				
#	LTR	DESCRIPTION	DATE	APPV
3		EC-1411035 COMPANY LOGO CHANGE	30JAN2015	CZ TY



1. MATERIALS:
 PLASTIC HOUSING: BLACK, THERMOPLASTIC FLAMMABILITY RATING UL 94V-0
 SHIELD: BRASS, PREPLATED WITH 0.76um MIN SEMI-BRIGHT NICKEL,
 POST DIPPED WITH 2.54um MIN SAC SOLDER OR PURE TIN SOLDER ON SOLDER TAILS
 CONTACTS: PHOSPHOR BRONZE, 1.27um MIN OVERALL NICKEL UNDERPLATE,
 WITH SELECT 0.05um MIN GOLD OVER 0.76um MIN PALLADIUM-NICKEL AT
 MATING INTERFACE AND 2.54um MIN MATTE TIN ON SOLDER TAILS.
 LED: DIFFUSED EPOXY LENS, CARBON STEEL LEAD FRAME TAILS OF LED
 ARE PREPLATED WITH 2.03um MIN SILVER OVER 1.02um MIN NICKEL
 UNDERPLATE OVER 1.02um MIN COPPER UNDERPLATE. POST-PLATED WITH
 2.54um MIN MATTE TIN AND/OR SAC SOLDER DIP OR PURE TIN SOLDER DIP

MAGNETICS
 APPLICATION: 10/100/1000 BASE-T, ULTRA PoE PLUS
 IMPEDANCE: 100 OHMS
 TURNS RATIO (CHIP:CABLE): 1:1 ALL FOUR PAIRS
 OPEN CIRCUIT INDUCTANCE (OCL):
 ALL CHANNELS 350uH MIN @ 100kHz, 0.1 VRMS WITH 8mA DC BIAS FROM -20°C TO 70°C,
 120uH MIN @ 100kHz, 0.1 VRMS WITH 21mA DC BIAS FROM -20°C TO 70°C
 ALL FOUR PAIRS BI-DIRECTIONAL
 POE CURRENT: 700mADC
 PERFORMANCE @ 25°C:
 INSERTION LOSS (IL): 1.1dB MAX FROM 0.5MHz TO 100MHz
 RETURN LOSS (RL): 18dB MIN FROM 0.5MHz TO 40MHz
 12-20LOG(f/80)dB MIN FROM 40.1MHz TO 100MHz
 CROSSTALK ATTENUATION: 35dB MIN FROM 0.5MHz TO 40MHz
 33-20LOG(f/50)dB MIN FROM 40.1MHz TO 100MHz
 COMMON MODE REJECTION RATIO (CMRR): 30dB MIN FROM 0.5MHz TO 100MHz
 ISOLATION VOLTAGE: 2250VDC(MAX) FOR 60 SECONDS WITH A RISE TIME OF
 500V/SEC AND WITH ALL PORTS CONNECTED.

3 PART NUMBER, DATE CODE AND COUNTRY OF ORIGIN ARE LOCATED IN APPROXIMATE AREA SHOWN. DATE CODE: "YY" IS YEAR, "WW" IS WORK WEEK, "D" IS DAY OF WEEK, WITH SUNDAY=1

4 TRP LOGO AND AGENCY APPROVAL LOGO ARE LOCATED IN APPROXIMATE AREA SHOWN.

5. OPERATING TEMP: FROM -20°C TO +70°C.

6. RJ45 CAVITY CONFORMS TO FCC RULES AND REGULATION PART 68 SUBPART F.

7 INDICATED MAGNETIC CONNECTIONS ARE SYMMETRICAL AND SUPPORT AUTO-MDI/MDIX.

8 DATUM AND BASIC DIMENSION ESTABLISHED BY CUSTOMER.

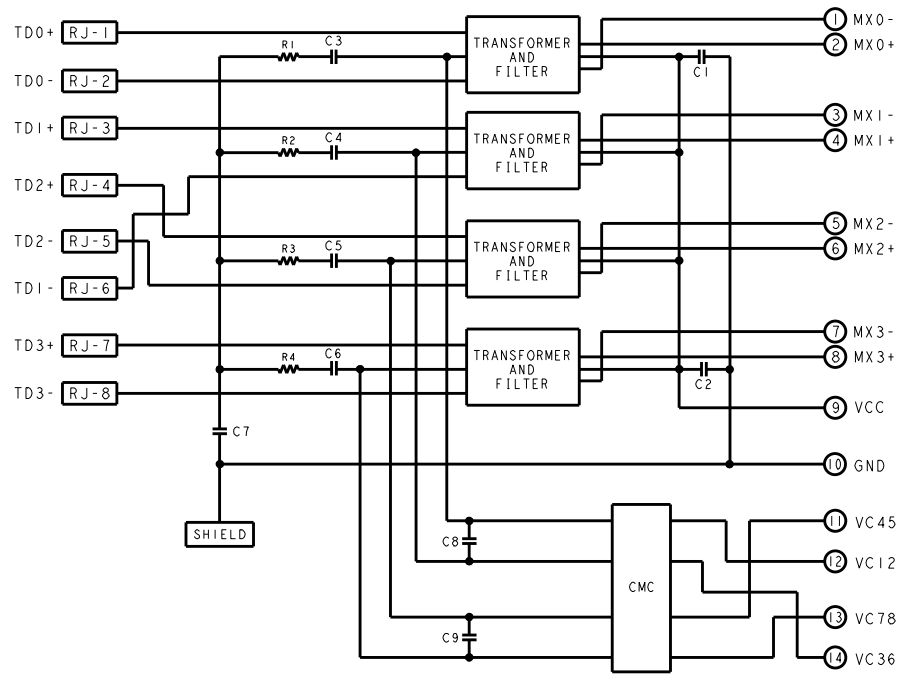
9 BASIC DIMENSION ESTABLISHED BY CUSTOMER, BUT MAY NOT BE GREATER THAN 5.08mm.

10 LEDs ARE DRIVEN WITH CONSTANT CURRENT AT APPROX 20mA
 LED COLOR: DOMINANT WAVELENGTH (λD): GREEN 568 nm TYP. @ IF=20mA
 FORWARD VOLTAGE (VF): GREEN 2.2V TYP. @ IF=20mA

11. THE PARTS ARE RECOMMENDED FOR WAVE SOLDERING PROCESS. PEAK TEMPERATURE 260°C MAX, 10 SECONDS MAX.

S9HG125 GIGABIT UPoE PLUS CIRCUIT

TOP AND BOTTOM PORTS

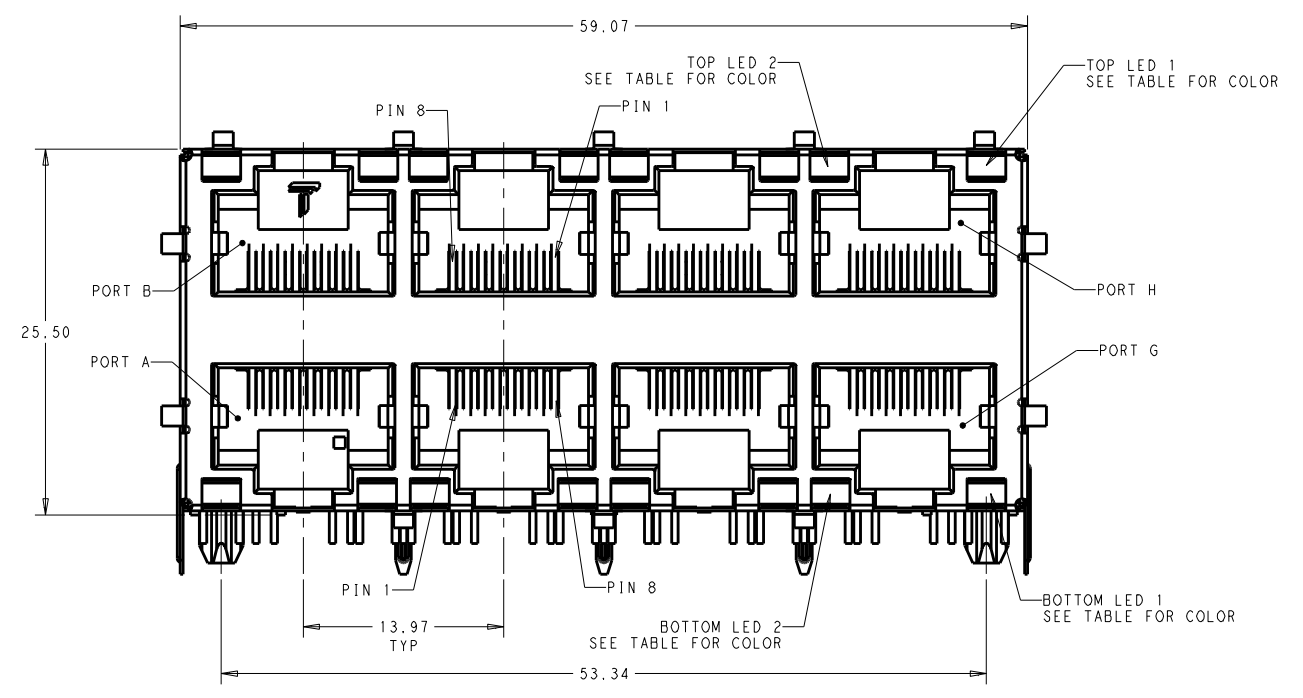
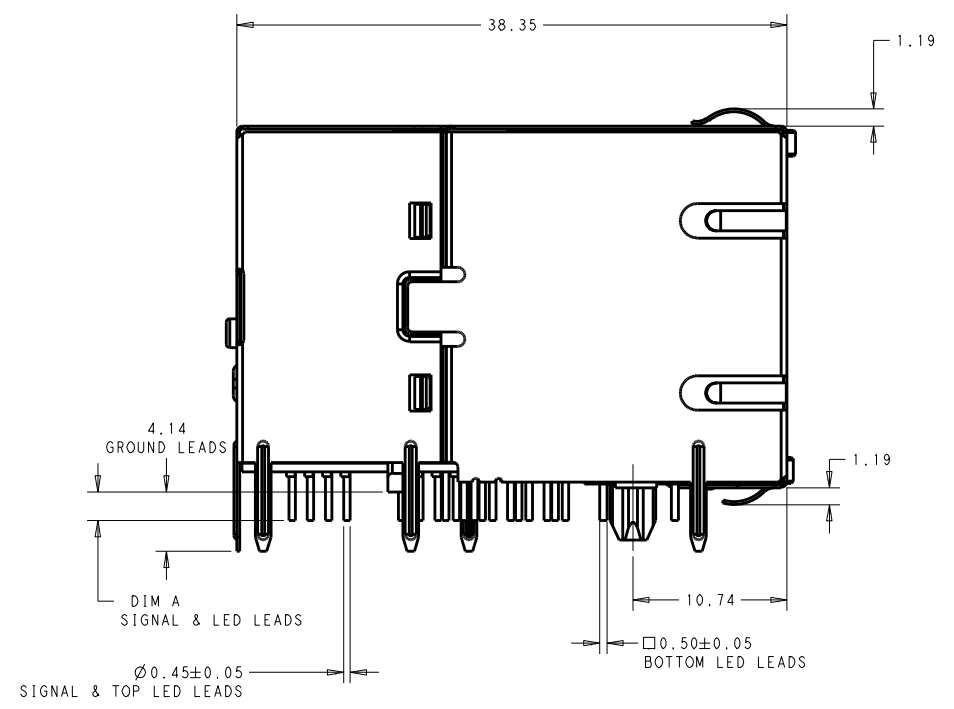
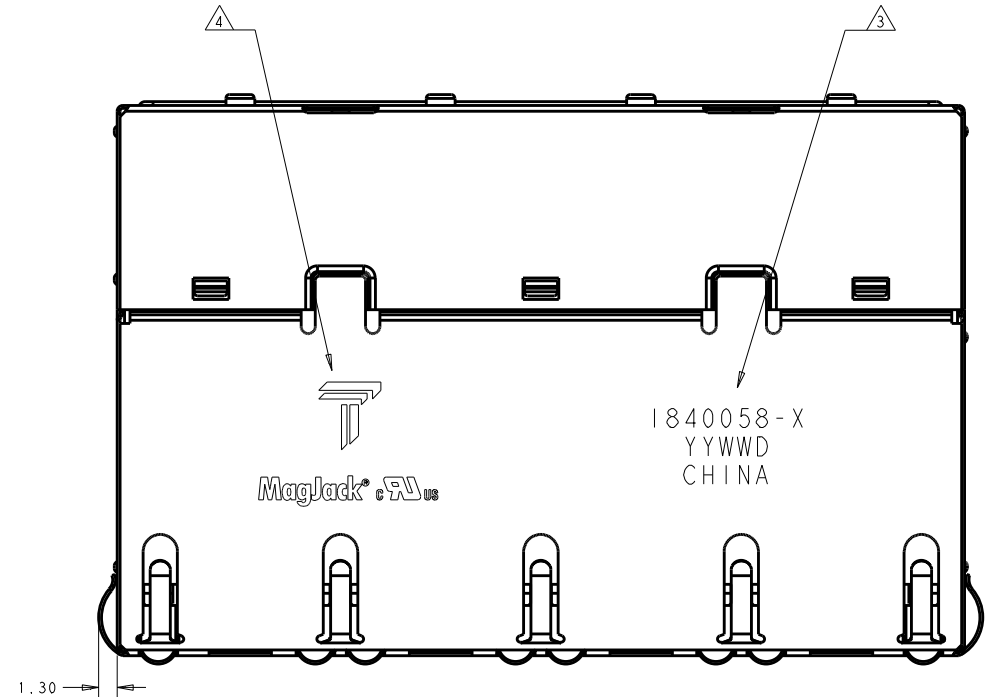


C1-C2 = 10nF, 50V, X7R, CAPACITORS
 C3-C6 = 10nF, 500V, CAPACITORS
 C7 = 1000pF, 2kV, CAPACITOR
 C8-C9 = 10nF, 500V, X7R, CAPACITORS
 R1-R4 = 75 Ohms, RESISTORS

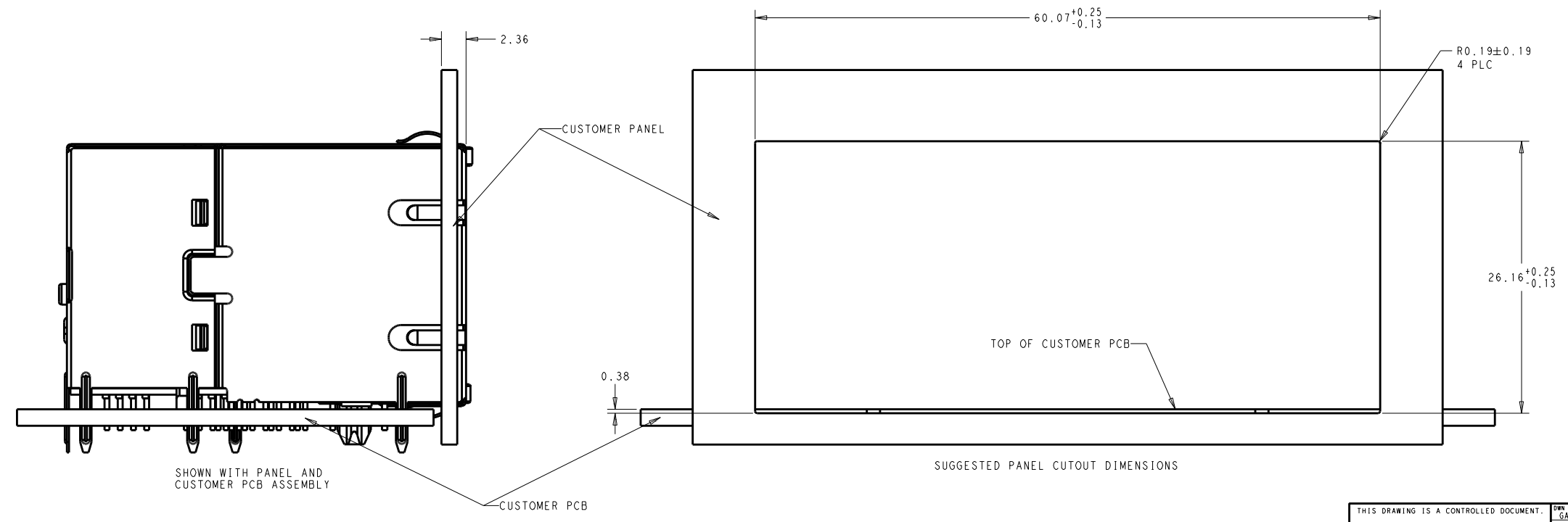
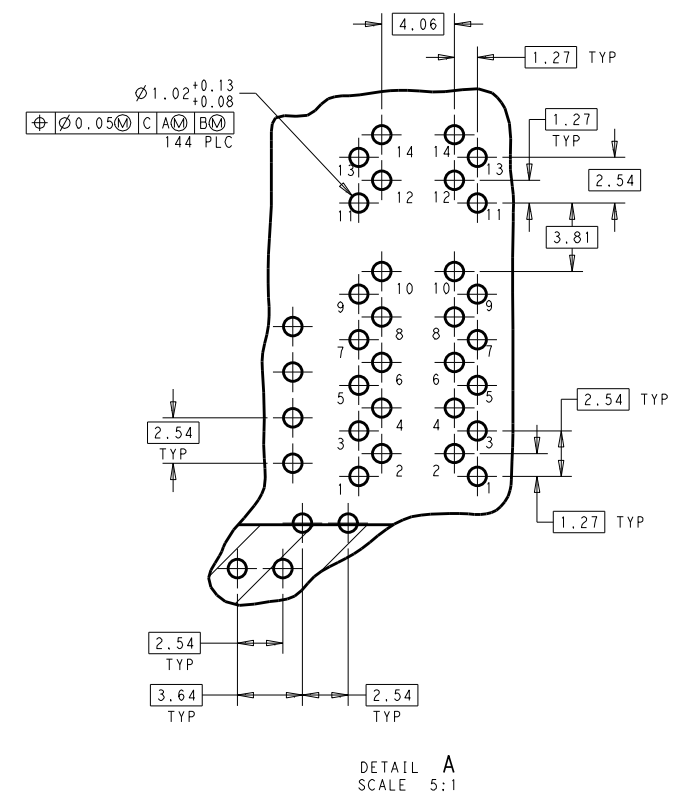
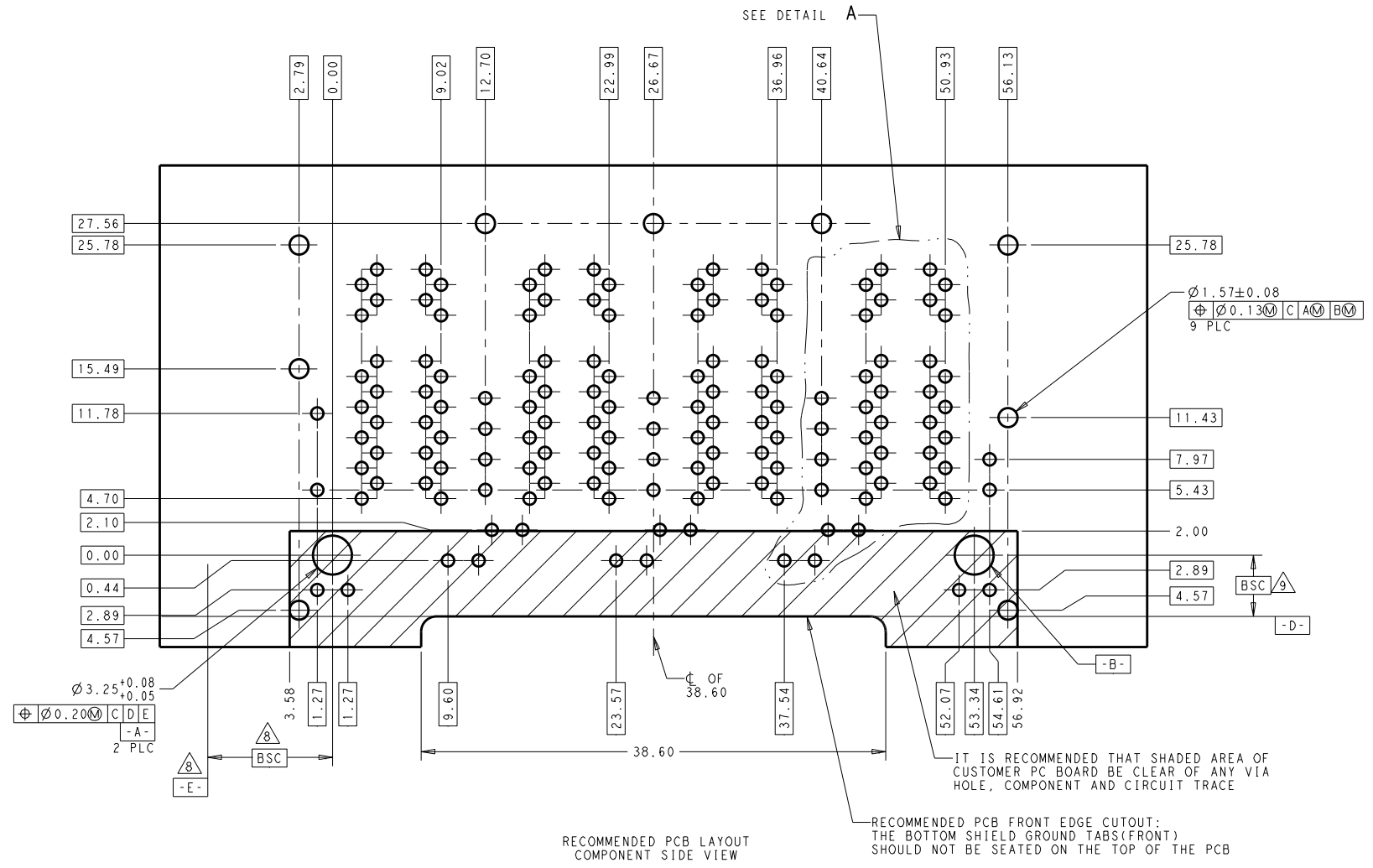
2.00	GREEN	GREEN	GREEN	GREEN	1840058-1
DIM A	BOTTOM LED 2	BOTTOM LED 1	TOP LED 2	TOP LED 1	PART NUMBER

THIS DRAWING IS A CONTROLLED DOCUMENT.

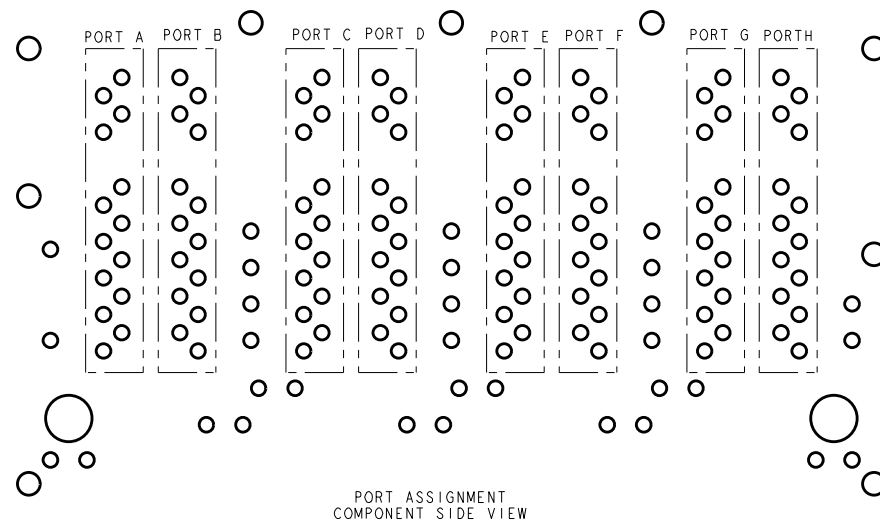
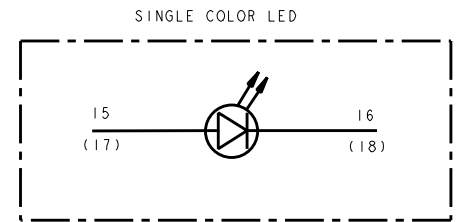
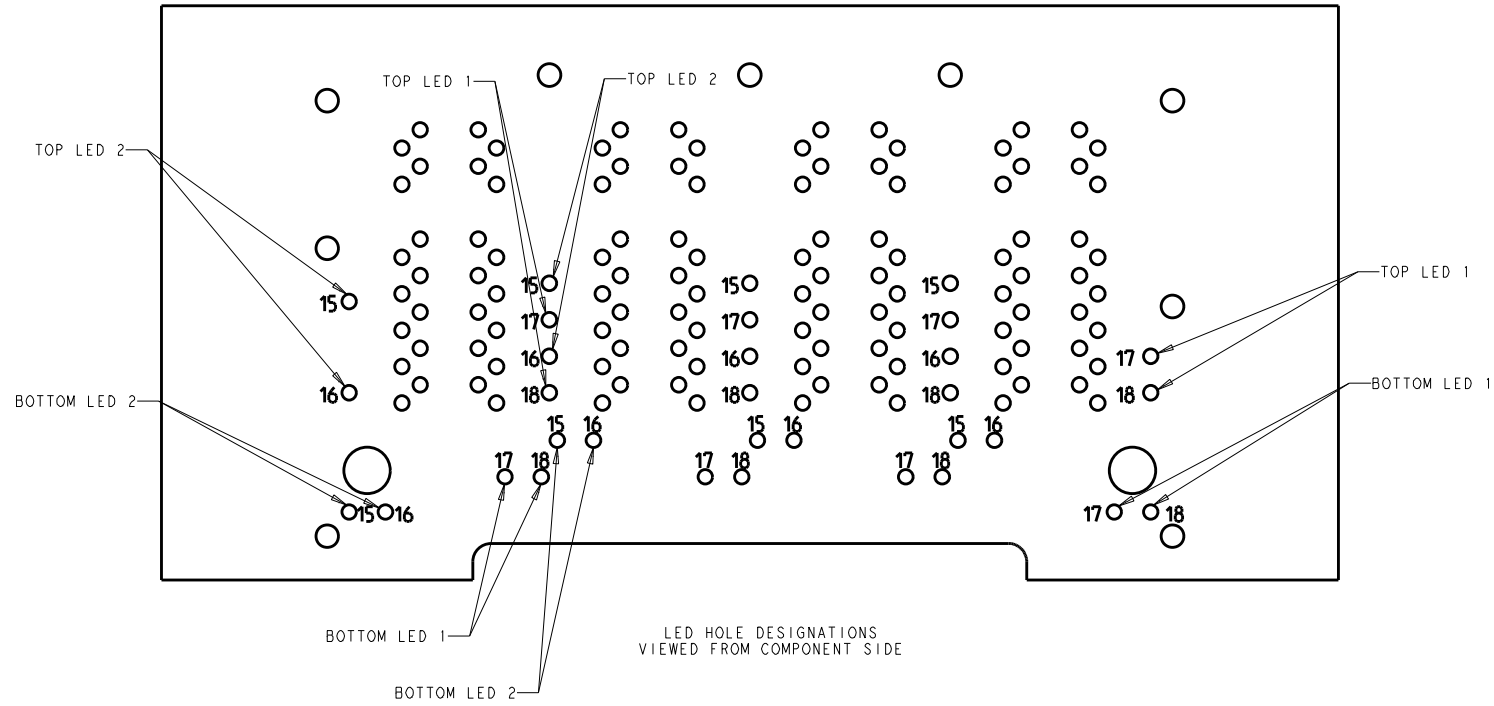
DIMENSIONS: mm	TOLERANCES UNLESS OTHERWISE SPECIFIED:	APV: GABRIEL_Z.TERRY LIN 13SEP2012	CHK: TOMMY_REN 13SEP2012	APV: KELTH_ZHU 13SEP2012	TRP CONNECTOR DONGGUAN CHINA
0 PLC ±	1 PLC ±	2 PLC ±0.25	3 PLC ±	4 PLC ±	MODEL NAME
PRODUCT SPEC	APPLICATION SPEC	MAGJACK	2X4 S9HG125 GIGABIT 4PPoE W/ LED	SIZE: A1	DRAWING NO: 1840058
		STACK 4PPOE		SCALE: NTS	SHEET 1 OF 5



THIS DRAWING IS A CONTROLLED DOCUMENT.		DWG: GABRIEL.Z.TERRY.LIN 13SEP2012 CHK: TOMMY.REN 13SEP2012 APVD: KEITH.ZHU 13SEP2012	trp CONNECTOR DONGGUAN CHINA
DIMENSIONS: mm	TOLERANCES UNLESS OTHERWISE SPECIFIED: 0 PLC ± 1 PLC ± 2 PLC ±0.25 3 PLC ± 4 PLC ± ANGLES ±	MODEL NAME: MAGJACK PRODUCT SPEC: STACK 4PPOE	
CUSTOMER DRAWING		SCALE: NTS	SHEET 2 OF 5 REV 3




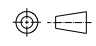
THIS DRAWING IS A CONTROLLED DOCUMENT.		DWG: GABRIEL.Z.TERRY.LIN CHK: TOMMY.REN APVD: KELTH.ZHU DATE: 13SEP2012 DATE: 13SEP2012	DONGGUAN CHINA
DIMENSIONS: mm 	TOLERANCES UNLESS OTHERWISE SPECIFIED: 0 PLC ± 1 PLC ± 2 PLC ±0.25 3 PLC ± 4 PLC ±	MODEL NAME: MAGJACK STACK 4PPOE	
PRODUCT SPEC	APPLICATION SPEC	CUSTOMER DRAWING	RESTRICTED TO: - SCALE: NTS SHEET: 3 OF 5 REV: 3



THIS DRAWING IS A CONTROLLED DOCUMENT.		DWG: 13SEP2012 GABRIEL.Z.TERRY.LIN CHK: 13SEP2012 TOMMY.REN APVD: 13SEP2012 KEITH.ZHU	DONGGUAN CHINA
DIMENSIONS: mm 	TOLERANCES UNLESS OTHERWISE SPECIFIED: 0 PLC ± 1 PLC ± 2 PLC ±0.25 3 PLC ± 4 PLC ± ANGLES °	MODEL NAME MAGJACK	DESC 2X4 S9HG125 GIGABIT 4PPoE W/ LED
PRODUCT SPEC STACK 4PPOE	APPLICATION SPEC	SIZE A1	CAGE CODE 1840058
CUSTOMER DRAWING		SCALE	NTS SHEET 4 OF 5 REV 3

1840058					STOCK DISPOSITION			
					A: CONTINUE AS IS		D: USE OLD FIRST	
					B: REWORK		E: PARTS TO CONFORM	
					C: SCRAP		F: OTHER	
REVISION HISTORY								
DATE	REV	CHANGES	REASON	APPROVAL	INVENTORY (A,B,C,D,E,F)	WORK IN PROCESS (A,B,C,F)	SUPPLIER ORDERS (A,E,F)	OPEN CUST ORDERS (A,E,F)
13SEP2012	1	INITIAL RELEASE	INITIAL RELEASE	KZ	-	-	-	-
10APR2013	2	REPLACE TE LOGO WITH TRP LOGO	TRP REQUIRE	KZ	-	-	-	-
30JAN2015	3	LOGO CHANGE	COMPANY REQUEST	TY	-	-	-	-

THIS DRAWING IS A CONTROLLED DOCUMENT.

DIMENSIONS: mm		TOLERANCES UNLESS OTHERWISE SPECIFIED:		DWN: GABRIEL.Z.TERRY.LIN 13SEP2012 CHK: TOMMY.REN 13SEP2012 APVD: KEITH.ZHU 13SEP2012		 DONGGUAN CHINA	
		0 PLC ± 1 PLC ± 2 PLC ±0.25 3 PLC ± 4 PLC ± ANGLES ±		MODEL NAME MAGJACK		DESC 2X4 S9HG125 GIGABIT 4PPoE W/ LED	
PRODUCT SPEC		APPLICATION SPEC		SIZE A1		CAGE CODE DRAWING NO 1840058	
CUSTOMER DRAWING				SCALE		SHEET 5 OF 5 REV 3	